



No. of Positions	Overall Mated Height With Receptacle Inch (mm)	Dimensions - Inch (mm)			Digi-Key Part No.	Price Each			Tape and Reel§		FCI Part No.
		A	B	C		1	25	100	Qty.	Pricing	
25	.276 (7.00)	0.681 (17.30)	0.472 (12.00)	0.433 (11.00)	609-1583-ND	1.93	1.15	1.03	—	—	91910-21525LF
31		0.799 (20.30)	0.591 (15.00)	0.551 (14.00)	609-1584-ND	2.45	1.51	1.31	—	—	91910-21531LF
41		0.996 (25.30)	0.787 (20.00)	0.748 (19.00)	609-1585-ND	2.90	1.80	1.63	—	—	91910-21541LF
51		1.193 (30.30)	0.984 (25.00)	0.945 (24.00)	609-1586-ND	3.41	2.12	1.92	—	—	91910-21551LF
69		1.547 (39.30)	1.339 (34.00)	1.299 (33.00)	609-1587-ND	4.00	2.42	2.21	—	—	91910-21569LF
<b>Fig 1 — Plugs, with Pick and Place Cap</b>											
69	.163 (4.15)	1.547 (39.30)	1.339 (34.00)	1.299 (33.00)	609-3413-1-ND‡	4.63	2.94	2.55	500	1091.97	91911-31169LF
9	.177 (4.50)	0.366 (9.30)	0.157 (4.00)	0.118 (3.00)	609-3414-1-ND‡	1.71	1.09	.95	800	669.85	91911-31209LF
11		0.406 (10.30)	0.197 (5.00)	0.157 (4.00)	609-3415-1-ND‡	1.77	1.13	.98	800	691.92	91911-31211LF
15		0.484 (12.30)	0.276 (7.00)	0.236 (6.00)	609-3416-1-ND‡	1.76	1.12	.97	800	684.76	91911-31215LF
21		0.602 (15.30)	0.394 (10.00)	0.354 (9.00)	609-3411-1-ND‡	1.98	1.26	1.10	800	774.11	91911-31221LF
25		0.681 (17.30)	0.472 (12.00)	0.433 (11.00)	609-3417-1-ND‡	2.16	1.37	1.19	800	828.47	91911-31225LF
31	.177 (4.50)	0.800 (20.30)	0.591 (15.00)	0.551 (14.00)	609-3418-1-ND‡	2.26	1.44	1.25	800	866.79	91911-31231LF
41		0.996 (25.30)	0.787 (20.00)	0.748 (19.00)	609-3412-1-ND‡	1.83	1.16	1.01	500	788.11	91911-31241LF
51		1.193 (30.30)	0.984 (25.00)	0.945 (24.00)	609-3419-1-ND‡	3.31	2.10	1.82	500	793.29	91911-31251LF
69		1.547 (39.30)	1.339 (34.00)	1.299 (33.00)	609-3420-1-ND‡	3.90	2.47	2.15	500	934.56	91911-31269LF
9		.197 (5.00)	0.366 (9.30)	0.157 (4.00)	0.118 (3.00)	609-3421-1-ND‡	1.47	.93	.81	800	571.49
11	0.406 (10.30)		0.197 (5.00)	0.157 (4.00)	609-3422-1-ND‡	1.58	1.00	.87	800	614.36	91911-31311LF
15	0.484 (12.30)		0.276 (7.00)	0.236 (6.00)	609-3423-1-ND‡	1.76	1.12	.97	800	684.76	91911-31315LF
21	0.602 (15.30)		0.394 (10.00)	0.354 (9.00)	609-3424-1-ND‡	1.98	1.26	1.10	500	500.50	91911-31321LF
25	0.681 (17.30)		0.472 (12.00)	0.433 (11.00)	609-3425-1-ND‡	2.10	1.33	1.16	800	804.96	91911-31325LF
31	.197 (5.00)	0.800 (20.30)	0.591 (15.00)	0.551 (14.00)	609-3426-1-ND‡	2.66	1.69	1.47	500	650.99	91911-31331LF
41		0.996 (25.30)	0.787 (20.00)	0.748 (19.00)	609-3427-1-ND‡	3.12	1.98	1.72	500	761.84	91911-31341LF
51		1.193 (30.30)	0.984 (25.00)	0.945 (24.00)	609-3428-1-ND‡	3.34	2.12	1.84	500	801.21	91911-31351LF
69		1.547 (39.30)	1.339 (34.00)	1.299 (33.00)	609-3429-1-ND‡	4.11	2.61	2.27	500	986.55	91911-31369LF
9		.236 (6.00)	0.366 (9.30)	0.157 (4.00)	0.118 (3.00)	609-3430-1-ND‡	2.05	1.30	1.13	500	516.46
11	0.406 (10.30)		0.197 (5.00)	0.157 (4.00)	609-3431-1-ND‡	1.68	1.07	.93	500	425.47	91911-31411LF
15	0.484 (12.30)		0.276 (7.00)	0.236 (6.00)	609-3432-1-ND‡	1.90	1.21	1.05	500	479.76	91911-31415LF
21	0.602 (15.30)		0.394 (10.00)	0.354 (9.00)	609-3433-1-ND‡	1.98	1.26	1.10	500	500.50	91911-31421LF
25	0.681 (17.30)		0.472 (12.00)	0.433 (11.00)	609-3434-1-ND‡	2.13	1.36	1.18	500	539.06	91911-31425LF
31	.236 (6.00)	0.800 (20.30)	0.591 (15.00)	0.551 (14.00)	609-3435-1-ND‡	2.51	1.59	1.39	500	612.46	91911-31431LF
41		0.996 (25.30)	0.787 (20.00)	0.748 (19.00)	609-3436-1-ND‡	2.83	1.80	1.56	500	691.10	91911-31441LF
51		1.193 (30.30)	0.984 (25.00)	0.945 (24.00)	609-3437-1-ND‡	3.64	2.31	2.01	500	874.45	91911-31451LF
69		1.547 (39.30)	1.339 (34.00)	1.299 (33.00)	609-3438-1-ND‡	3.90	2.47	2.15	500	934.56	91911-31469LF
<b>Fig. 2 — Receptacles</b>											
9	—	0.366 (9.30)	0.157 (4.00)	0.118 (3.00)	609-1588-ND	1.71	.99	.88	—	—	91930-21109LF
11		0.406 (10.30)	0.197 (5.00)	0.157 (4.00)	609-1589-ND	1.78	1.06	.94	—	—	91930-21111LF
15		0.484 (12.30)	0.276 (7.00)	0.236 (6.00)	609-1590-ND	1.95	1.17	1.02	—	—	91930-21115LF
21		0.602 (15.30)	0.394 (10.00)	0.345 (9.00)	609-1591-ND	2.19	1.31	1.17	—	—	91930-21121LF
25		0.681 (17.30)	0.472 (12.00)	0.433 (11.00)	609-1592-ND	2.42	1.49	1.29	—	—	91930-21125LF
31	—	0.799 (20.30)	0.591 (15.00)	0.551 (14.00)	609-1593-ND	2.59	1.60	1.41	—	—	91930-21131LF
41		0.996 (25.30)	0.787 (20.00)	0.748 (19.00)	609-1594-ND	3.15	1.96	1.78	—	—	91930-21141LF
51		1.193 (30.30)	0.984 (25.00)	0.945 (24.00)	609-1595-ND	3.78	2.37	2.17	—	—	91930-21151LF
69		1.547 (39.30)	1.339 (34.00)	1.299 (33.00)	609-1596-ND	4.20	2.80	2.51	—	—	91930-21169LF

‡ Cut Tape § For Tape and Reel part number, change 1-ND to 2-ND.

## Rib-Cage™ High Density, .050" x .050" (1.27mm x 1.27mm) Pitch, Tolerant Board-to-Board Connector System



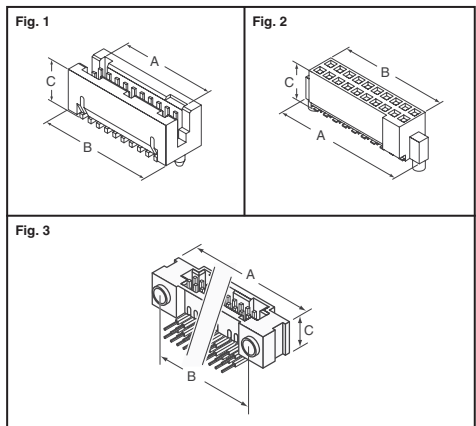
Rib-Cage is a versatile family of two-piece, two-row pin-and-socket connectors for right angle and mezzanine connections between printed circuit boards (PCB) or flexible printed circuits (FPC).

**Features:** • Exclusive Rib-Cage multi-pole, gold plated receptacle contacts provide optimal reliability in high vibration and shock-prone applications • High density .050" (1.27mm) x .050" (1.27mm) double row contact grid occupies only 20% of the volume of comparable 0.100" pitch systems • Polarization prevents mis-mating

**Applications:** • Shock resistant and vibration-prone electronic applications • Handheld test and diagnostic equipment • Electronic sub-assemblies used in conjunction with fans, motors and mechanical devices

**Materials:** Contact Plating: 30µ (0.76µm) gold over Nickel in Contact area; lead-free pure tin over Nickel on solder tails

**Electrical Performance:** 1.0A DC per contact with all contacts energized • Insulation Resistance: 50,000MΩ minimum initial • Withstanding Voltage: 800VAC, RMS at 60Hz



No. of Positions	Dimensions - Inch (mm)			Digi-Key Part No.	Price Each			FCI Part No.
	A	B	C		1	25	100	
<b>Fig. 1 — Vertical SMT Plugs</b>								
10	0.275 (6.99)	0.372 (9.45)	0.226 (5.74)	609-3175-ND	1.10	.60	.53	87409-105LF
20	0.525 (13.34)	0.622 (15.80)	0.226 (5.74)	609-1553-ND	1.39	.76	.66	87409-110LF
30	0.775 (19.68)	0.872 (22.15)	0.226 (5.74)	609-1554-ND	1.76	1.02	.90	87409-115LF
40	1.025 (26.03)	1.122 (28.50)	0.226 (5.74)	609-1555-ND	2.20	1.31	1.17	87409-120LF
50	1.275 (32.38)	1.372 (34.85)	0.226 (5.74)	609-3176-ND	3.10	1.93	1.75	87409-125LF
60	1.525 (38.74)	1.622 (41.20)	0.226 (5.74)	609-3177-ND	2.72	1.69	1.53	87409-130LF
70	1.775 (45.08)	1.872 (47.55)	0.226 (5.74)	609-3178-ND	3.96	2.57	2.35	87409-135LF
80	2.025 (51.43)	2.122 (53.90)	0.226 (5.74)	609-3179-ND	4.36	2.91	2.61	87409-140LF
90	2.275 (57.78)	2.372 (60.25)	0.226 (5.74)	609-3180-ND	5.28	3.59	3.24	87409-145LF
100	2.525 (64.14)	2.622 (66.60)	0.226 (5.74)	609-3181-ND	5.24	3.57	3.21	87409-150LF
<b>Fig. 2 — Vertical SMT Receptacles</b>								
10	0.370 (9.4)	0.266 (6.76)	0.187 (4.75)	609-3157-ND	1.07	.60	.51	87024-605LF
20	0.620 (15.75)	0.516 (13.11)	0.187 (4.75)	609-1550-ND	1.65	.97	.84	87024-610LF
30	0.870 (22.10)	0.766 (19.46)	0.187 (4.75)	609-1551-ND	2.26	1.36	1.19	87024-615LF
40	1.120 (28.45)	1.016 (25.81)	0.187 (4.75)	609-1552-ND	2.45	1.51	1.31	87024-620LF
50	1.37 (34.8)	1.266 (32.16)	0.187 (4.75)	609-3158-ND	3.25	2.09	1.86	87024-625LF
60	1.62 (41.15)	1.516 (38.51)	0.187 (4.75)	609-3159-ND	3.38	2.18	1.93	87024-630LF
70	1.87 (47.5)	1.766 (44.86)	0.187 (4.75)	609-3160-ND	4.15	2.76	2.48	87024-635LF
80	2.12 (53.85)	2.016 (51.21)	0.187 (4.75)	609-3161-ND	4.18	2.79	2.50	87024-640LF
90	2.37 (60.2)	2.266 (57.56)	0.187 (4.75)	609-3162-ND	5.13	3.55	3.14	87024-645LF
100	2.62 (66.55)	2.516 (63.91)	0.187 (4.75)	609-3163-ND	4.94	3.42	3.03	87024-650LF
<b>Fig. 3 — Right Angle PCB Plugs</b>								
10	0.635 (16.13)	0.485 (12.32)	0.201 (5.11)	609-3164-ND	4.33	2.89	2.59	87402-105LF
20	0.885 (22.48)	0.735 (18.67)	0.201 (5.11)	609-3165-ND	5.86	3.99	3.52	87402-110LF
30	1.135 (28.83)	0.985 (25.02)	0.201 (5.11)	609-3166-ND	7.25	4.93	4.54	87402-115LF
30	1.135 (28.83)	0.985 (25.02)	0.201 (5.11)	609-3174-ND	6.59	4.54	4.13	87402-515LF
40	1.385 (35.18)	1.235 (31.37)	0.201 (5.11)	609-3167-ND	6.32	4.49	3.96	87402-120LF
50	1.635 (41.52)	1.485 (37.72)	0.201 (5.11)	609-3168-ND	7.97	5.65	5.20	87402-125LF
60	1.885 (47.88)	1.735 (44.07)	0.201 (5.11)	609-3169-ND	8.23	5.84	5.38	87402-130LF
70	2.135 (54.23)	1.985 (50.42)	0.201 (5.11)	609-3170-ND	7.27	5.15	4.74	87402-135LF
80	2.385 (60.58)	2.235 (56.77)	0.201 (5.11)	609-3171-ND	8.94	6.49	5.77	87402-140LF
90	2.635 (66.93)	2.485 (63.12)	0.201 (5.11)	609-3172-ND	8.35	6.05	5.39	87402-145LF
100	2.885 (73.28)	2.735 (69.47)	0.201 (5.11)	609-3173-ND	8.24	5.85	5.38	87402-150LF

Digi-Reel® Most SMT cutdown parts are available on a Digi-Reel®. For Digi-Reel part number, change 1-ND to 6-ND or CT-ND to DKR-ND. See Digi-Key® Services on page 2 for additional information.

Free shipping on orders over £50! All prices are in British pound sterling and include duties.

uk.digikey.com — FREEPHONE: 0-800-587-0991 • 0-800-904-7786 — FREEFAX: 0-800-587-0992 • 0-800-904-7783