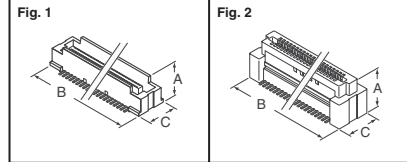


# FCI Bergstak® 0.03" (0.8 mm) Pitch Mezzanine Connector System

**Features:** • Extremely versatile high density mezzanine connector system. Surface mount attachment  
• Blade-on-beam contacts allow "peeling" and prevent "stubbing" • Face polarization prevents mis-mating  
• PCB polarization prevents PCB assembly errors  
**Plug:** • Housing: G.FLCP UL 94V-0 • Terminal: Brass **Receptacle:** • Housing: G.FLCP UL 94V-0  
• Terminal: Beryllium Copper • Mating Cycles: 100 • Voltage Rating: 100VAC • Current Rating: 6.5A  
• Temperature Range: -40°C - 85°C



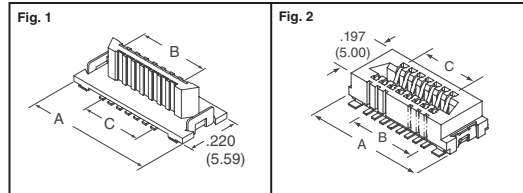
Mate (Stack) Height Guide - mm			
Plug Code	Receptacle Code		
	1	2	3
1	5.0	9.0	13.0
2	6.0	10.0	14.0
3	7.0	11.0	15.0
4	8.0	12.0	16.0

No. of Positions	Dimensions - Inch (mm)			Mate Height Code	Polarization	Digi-Key Part No.	Cut Tape Price Each			Digi-Key Part No.	Tape and Reel		FCI Part No.
	A	B	C				1	25	100		Qty.	Pricing	
<b>Fig. 1 - Plugs</b>													
40	0.185 (4.70)	0.858 (21.80)	0.236 (6.00)	1	Yes	609-1667-1-ND	2.82	1.74	1.54	609-1667-2-ND	900	1218.82	61083-041402LF
	0.224 (5.70)	0.858 (21.80)	0.236 (6.00)	2	Yes	609-1669-1-ND	2.64	1.63	1.44	609-1669-2-ND	800	1033.64	61083-042402LF
	0.264 (6.70)	0.858 (21.80)	0.236 (6.00)	3	Yes	609-1671-1-ND	2.86	1.77	1.56	609-1671-2-ND	700	979.24	61083-043402LF
	0.303 (7.70)	0.858 (21.80)	0.236 (6.00)	4	Yes	609-1673-1-ND	2.95	1.83	1.66	609-1673-2-ND	600	894.78	61083-044402LF
60	0.185 (4.70)	1.173 (29.80)	0.236 (6.00)	1	Yes	609-1675-1-ND	2.95	1.83	1.66	609-1675-2-ND	900	1317.62	61083-061402LF
	0.224 (5.70)	1.173 (29.80)	0.236 (6.00)	2	Yes	609-1677-1-ND	2.77	1.72	1.56	609-1677-2-ND	800	1205.20	61083-062402LF
	0.264 (6.70)	1.173 (29.80)	0.236 (6.00)	3	Yes	609-1679-1-ND	2.97	1.85	1.67	609-1679-2-ND	700	1084.86	61083-063402LF
	0.303 (7.70)	1.173 (29.80)	0.236 (6.00)	4	Yes	609-1681-1-ND	3.34	2.08	1.88	609-1681-2-ND	600	1014.71	61083-064402LF
80	0.185 (4.70)	1.488 (37.80)	0.236 (6.00)	1	No	609-1683-1-ND	3.47	2.24	1.99	609-1683-2-ND	900	1610.16	61083-081402LF
	0.224 (5.70)	1.488 (37.80)	0.236 (6.00)	2	Yes	609-1685-1-ND	3.53	2.27	2.02	609-1685-2-ND	800	1454.02	61083-082402LF
	0.264 (6.70)	1.488 (37.80)	0.236 (6.00)	3	Yes	609-1687-1-ND	3.75	2.33	2.11	609-1687-2-ND	700	1305.00	61083-083402LF
	0.303 (7.70)	1.488 (37.80)	0.236 (6.00)	4	No	609-1689-1-ND	3.30	2.13	1.89	609-1689-2-ND	700	1156.79	61083-084402LF
100	0.185 (4.70)	1.803 (45.80)	0.236 (6.00)	1	Yes	609-1691-1-ND	3.69	2.35	2.15	609-1691-2-ND	650	1255.98	61083-101402LF
	0.224 (5.70)	1.803 (45.80)	0.236 (6.00)	2	Yes	609-1693-1-ND	3.98	2.54	2.32	609-1693-2-ND	550	1148.39	61083-102402LF
	0.264 (6.70)	1.803 (45.80)	0.236 (6.00)	3	Yes	609-1695-1-ND	3.83	2.49	2.27	609-1695-2-ND	450	936.73	61083-103402LF
	0.303 (7.70)	1.803 (45.80)	0.236 (6.00)	4	Yes	609-1697-1-ND	4.10	2.66	2.44	609-1697-2-ND	400	892.36	61083-104402LF
120	0.185 (4.70)	2.118 (53.80)	0.236 (6.00)	1	Yes	609-1699-1-ND	4.29	2.74	2.50	609-1699-2-ND	650	1463.30	61083-121402LF
	0.224 (5.70)	2.118 (53.80)	0.236 (6.00)	2	Yes	609-1701-1-ND	4.23	2.82	2.53	609-1701-2-ND	550	1290.16	61083-122402LF
	0.264 (6.70)	2.118 (53.80)	0.236 (6.00)	3	Yes	609-1703-1-ND	4.12	2.75	2.46	609-1703-2-ND	450	1046.59	61083-123402LF
	0.303 (7.70)	2.118 (53.80)	0.236 (6.00)	4	Yes	609-1705-1-ND	4.21	2.81	2.52	609-1705-2-ND	400	950.91	61083-124402LF
140	0.185 (4.70)	2.433 (61.80)	0.236 (6.00)	1	Yes	609-1707-1-ND	4.44	2.95	2.65	609-1707-2-ND	650	1598.40	61083-141402LF
	0.224 (5.70)	2.433 (61.80)	0.236 (6.00)	2	Yes	609-1709-1-ND	4.59	3.06	2.74	609-1709-2-ND	550	1399.45	61083-142402LF
	0.264 (6.70)	2.433 (61.80)	0.236 (6.00)	3	Yes	609-1711-1-ND	4.09	2.91	2.61	609-1711-2-ND	450	1083.99	61083-143402LF
	0.303 (7.70)	2.433 (61.80)	0.236 (6.00)	4	Yes	609-1713-1-ND	3.71	2.36	2.16	609-1713-2-ND	400	1063.48	61083-144402LF
160	0.303 (7.70)	2.748 (69.80)	0.236 (6.00)	4	Yes	609-1721-1-ND	4.91	3.40	3.01	609-1721-2-ND	400	1132.76	61083-164402LF
180	0.303 (7.70)	3.063 (77.80)	0.236 (6.00)	4	Yes	609-1729-1-ND	5.30	3.61	3.25	609-1729-2-ND	400	1223.06	61083-184402LF
200	0.224 (5.70)	3.378 (85.80)	0.236 (6.00)	2	Yes	609-1733-1-ND	7.54	5.18	4.71	609-1733-2-ND	550	2373.60	61083-202402LF
<b>Fig. 2 - Receptacles</b>													
40	0.145 (3.70)	0.858 (21.80)	0.236 (6.00)	1	Yes	609-1613-1-ND	2.86	1.78	1.61	609-1613-2-ND	800	1137.40	61082-041402LF
	0.145 (3.70)	0.858 (21.80)	0.236 (6.00)	1	No	609-1614-1-ND	2.95	1.83	1.66	609-1614-2-ND	800	1172.52	61082-041422LF
	0.303 (7.70)	0.858 (21.80)	0.268 (6.80)	2	Yes	609-1615-1-ND	2.95	1.84	1.67	609-1615-2-ND	500	760.73	61082-042402LF
	0.303 (7.70)	0.858 (21.80)	0.268 (6.80)	2	No	609-1616-1-ND	3.14	1.95	1.71	609-1616-2-ND	500	783.26	61082-042422LF
60	0.461 (11.70)	0.858 (21.80)	0.252 (6.40)	3	Yes	609-1617-1-ND	3.09	1.91	1.68	609-1617-2-ND	300	476.36	61082-043402LF
	0.145 (3.70)	1.173 (29.80)	0.236 (6.00)	1	Yes	609-1619-1-ND	3.28	2.11	1.88	609-1619-2-ND	800	1350.59	61082-061402LF
	0.303 (7.70)	1.173 (29.80)	0.268 (6.80)	2	Yes	609-1621-1-ND	3.62	2.33	2.07	609-1621-2-ND	500	947.03	61082-062402LF
	0.303 (7.70)	1.173 (29.80)	0.268 (6.80)	2	No	609-1622-1-ND	3.37	2.11	1.93	609-1622-2-ND	500	882.89	61082-062422LF
80	0.461 (11.70)	1.173 (29.80)	0.252 (6.40)	3	Yes	609-1623-1-ND	3.29	2.12	1.88	609-1623-2-ND	300	544.02	61082-063402LF
	0.145 (3.70)	1.488 (37.80)	0.236 (6.00)	1	Yes	609-1625-1-ND	3.89	2.42	2.19	609-1625-2-ND	800	1547.77	61082-081402LF
	0.303 (7.70)	1.488 (37.80)	0.268 (6.80)	2	Yes	609-1627-1-ND	4.49	2.70	2.36	609-1627-2-ND	500	1036.79	61082-082402LF
	0.461 (11.70)	1.488 (37.80)	0.252 (6.40)	3	Yes	609-1629-1-ND	3.96	2.52	2.31	609-1629-2-ND	300	644.19	61082-083402LF
100	0.145 (3.70)	1.803 (45.80)	0.236 (6.00)	1	Yes	609-1631-1-ND	4.19	2.72	2.49	609-1631-2-ND	800	1788.94	61082-101402LF
	0.303 (7.70)	1.803 (45.80)	0.268 (6.80)	2	Yes	609-1633-1-ND	4.14	2.76	2.47	609-1633-2-ND	400	934.53	61082-102402LF
	0.461 (11.70)	1.803 (45.80)	0.252 (6.40)	3	Yes	609-1635-1-ND	4.20	2.80	2.51	609-1635-2-ND	300	724.12	61082-103402LF
	0.145 (3.70)	2.118 (53.80)	0.236 (6.00)	1	Yes	609-1637-1-ND	4.31	2.87	2.57	609-1637-2-ND	800	1909.05	61082-121402LF
120	0.303 (7.70)	2.118 (53.80)	0.268 (6.80)	2	Yes	609-1639-1-ND	5.00	3.22	2.86	609-1639-2-ND	400	1067.52	61082-122402LF
	0.461 (11.70)	2.118 (53.80)	0.252 (6.40)	3	Yes	609-1641-1-ND	4.52	3.01	2.70	609-1641-2-ND	300	777.32	61082-123402LF
	0.145 (3.70)	2.433 (61.80)	0.236 (6.00)	1	Yes	609-1643-1-ND	4.77	3.18	2.85	609-1643-2-ND	700	1852.13	61082-141402LF
	0.461 (11.70)	2.433 (61.80)	0.252 (6.40)	3	Yes	609-1647-1-ND	4.79	3.32	2.94	609-1647-2-ND	300	844.16	61082-143402LF
160	0.145 (3.70)	2.748 (69.80)	0.236 (6.00)	1	Yes	609-1649-1-ND	5.22	3.62	3.20	609-1649-2-ND	700	2108.54	61082-161402LF
180	0.145 (3.70)	3.063 (77.80)	0.236 (6.00)	1	Yes	609-1655-1-ND	7.11	5.04	4.64	609-1655-2-ND	700	3092.53	61082-181402LF
200	0.145 (3.70)	3.378 (85.80)	0.236 (6.00)	1	Yes	609-1661-1-ND	7.80	5.54	5.10	609-1661-2-ND	700	3395.71	61082-201402LF

# Conan® High Density, Low Profile 0.04" (1.00mm) Pitch Mezzanine Connector System

The Conan 1.0mm mezzanine connector system provides a rugged, mechanically secure, high density electrical interface between parallel printed circuit boards.

**Features:** • "Snap" engagement contacts assure secure mating with an audible "click" • Connector housings feature "lead-in" angles to assist in mating • Mating polarization prevents backward connections  
**Applications:** • Portable and mobile electronic equipment • Medical and Instrumentation • Office Equipment • Communications and Networking Equipment **Mechanical Performance:** • Mating Force: 125g per contact maximum • Unmating Force: 45g per contact minimum • Durability: 30 mating cycles **Electrical Performance:** • Insulation Resistance: 1,000MΩ minimum • Contact Resistance: 30mΩ maximum • Withstanding Voltage: 500VAC, RMS at 60Hz • Current Rating: 1.0A continuous (per contact, all contacts powered)



No. of Positions	Overall Mated Height With Receptacle (mm)	Dimensions - Inch (mm)			Digi-Key Part No.	Price Each			Tape and Reel		FCI Part No.
		A	B	C		1	25	100	Qty.	Pricing	
<b>Fig. 1 - Plugs</b>											
9	.163 (4.15)	0.366 (9.30)	0.157 (4.00)	0.118 (3.00)	609-1570-ND	1.50	.89	.77	—	—	91910-21109LF
11		0.406 (10.30)	0.197 (5.00)	0.157 (4.00)	609-1571-ND	1.54	.89	.79	—	—	91910-21111LF
15		0.484 (12.30)	0.276 (7.00)	0.236 (6.00)	609-1572-ND	1.80	1.07	.95	—	—	91910-21115LF
21		0.602 (15.30)	0.394 (10.00)	0.354 (9.00)	609-1573-ND	2.00	1.20	1.05	—	—	91910-21121LF
25		0.681 (17.30)	0.472 (12.00)	0.433 (11.00)	609-1574-ND	2.16	1.29	1.15	—	—	91910-21125LF
31	.163 (4.15)	0.799 (20.30)	0.591 (15.00)	0.551 (14.00)	609-1575-ND	2.45	1.51	1.31	—	—	91910-21131LF
41		0.996 (25.30)	0.787 (20.00)	0.748 (19.00)	609-1576-ND	2.90	1.80	1.63	—	—	91910-21141LF
51		1.193 (30.30)	0.984 (25.00)	0.945 (24.00)	609-1577-ND	3.41	2.12	1.92	—	—	91910-21151LF
69		1.547 (39.30)	1.339 (34.00)	1.299 (33.00)	609-1578-ND	3.86	2.42	2.21	—	—	91910-21169LF
9		.276 (7.00)	0.366 (9.30)	0.157 (4.00)	0.118 (3.00)	609-1579-ND	2.25	1.32	1.14	—	—
11	0.406 (10.30)		0.197 (5.00)	0.157 (4.00)	609-1580-ND	1.58	.91	.81	—	—	91910-21511LF
15	0.484 (12.30)		0.276 (7.00)	0.236 (6.00)							



No. of Positions	Overall Mated Height With Receptacle Inch (mm)	Dimensions - Inch (mm)			Digi-Key Part No.	Price Each			Tape and Reel§		FCI Part No.
		A	B	C		1	25	100	Qty.	Pricing	
25	.276 (7.00)	0.681 (17.30)	0.472 (12.00)	0.433 (11.00)	609-1583-ND	1.93	1.15	1.03	—	—	91910-21525LF
31		0.799 (20.30)	0.591 (15.00)	0.551 (14.00)	609-1584-ND	2.45	1.51	1.31	—	—	91910-21531LF
41		0.996 (25.30)	0.787 (20.00)	0.748 (19.00)	609-1585-ND	2.90	1.80	1.63	—	—	91910-21541LF
51		1.193 (30.30)	0.984 (25.00)	0.945 (24.00)	609-1586-ND	3.41	2.12	1.92	—	—	91910-21551LF
69		1.547 (39.30)	1.339 (34.00)	1.299 (33.00)	609-1587-ND	4.00	2.42	2.21	—	—	91910-21569LF
<b>Fig 1 — Plugs, with Pick and Place Cap</b>											
69	.163 (4.15)	1.547 (39.30)	1.339 (34.00)	1.299 (33.00)	609-3413-1-ND‡	4.63	2.94	2.55	500	1091.97	91911-31169LF
9	.177 (4.50)	0.366 (9.30)	0.157 (4.00)	0.118 (3.00)	609-3414-1-ND‡	1.71	1.09	.95	800	669.85	91911-31209LF
11		0.406 (10.30)	0.197 (5.00)	0.157 (4.00)	609-3415-1-ND‡	1.77	1.13	.98	800	691.92	91911-31211LF
15		0.484 (12.30)	0.276 (7.00)	0.236 (6.00)	609-3416-1-ND‡	1.76	1.12	.97	800	684.76	91911-31215LF
21		0.602 (15.30)	0.394 (10.00)	0.354 (9.00)	609-3411-1-ND‡	1.98	1.26	1.10	800	774.11	91911-31221LF
25		0.681 (17.30)	0.472 (12.00)	0.433 (11.00)	609-3417-1-ND‡	2.16	1.37	1.19	800	828.47	91911-31225LF
31	.177 (4.50)	0.800 (20.30)	0.591 (15.00)	0.551 (14.00)	609-3418-1-ND‡	2.26	1.44	1.25	800	866.79	91911-31231LF
41		0.996 (25.30)	0.787 (20.00)	0.748 (19.00)	609-3412-1-ND‡	1.83	1.16	1.01	500	788.11	91911-31241LF
51		1.193 (30.30)	0.984 (25.00)	0.945 (24.00)	609-3419-1-ND‡	3.31	2.10	1.82	500	793.29	91911-31251LF
69		1.547 (39.30)	1.339 (34.00)	1.299 (33.00)	609-3420-1-ND‡	3.90	2.47	2.15	500	934.56	91911-31269LF
9		.197 (5.00)	0.366 (9.30)	0.157 (4.00)	0.118 (3.00)	609-3421-1-ND‡	1.47	.93	.81	800	571.49
11	0.406 (10.30)		0.197 (5.00)	0.157 (4.00)	609-3422-1-ND‡	1.58	1.00	.87	800	614.36	91911-31311LF
15	0.484 (12.30)		0.276 (7.00)	0.236 (6.00)	609-3423-1-ND‡	1.76	1.12	.97	800	684.76	91911-31315LF
21	0.602 (15.30)		0.394 (10.00)	0.354 (9.00)	609-3424-1-ND‡	1.98	1.26	1.10	500	500.50	91911-31321LF
25	0.681 (17.30)		0.472 (12.00)	0.433 (11.00)	609-3425-1-ND‡	2.10	1.33	1.16	800	804.96	91911-31325LF
31	.197 (5.00)	0.800 (20.30)	0.591 (15.00)	0.551 (14.00)	609-3426-1-ND‡	2.66	1.69	1.47	500	650.99	91911-31331LF
41		0.996 (25.30)	0.787 (20.00)	0.748 (19.00)	609-3427-1-ND‡	3.12	1.98	1.72	500	761.84	91911-31341LF
51		1.193 (30.30)	0.984 (25.00)	0.945 (24.00)	609-3428-1-ND‡	3.34	2.12	1.84	500	801.21	91911-31351LF
69		1.547 (39.30)	1.339 (34.00)	1.299 (33.00)	609-3429-1-ND‡	4.11	2.61	2.27	500	986.55	91911-31369LF
9		.236 (6.00)	0.366 (9.30)	0.157 (4.00)	0.118 (3.00)	609-3430-1-ND‡	2.05	1.30	1.13	500	516.46
11	0.406 (10.30)		0.197 (5.00)	0.157 (4.00)	609-3431-1-ND‡	1.68	1.07	.93	500	425.47	91911-31411LF
15	0.484 (12.30)		0.276 (7.00)	0.236 (6.00)	609-3432-1-ND‡	1.90	1.21	1.05	500	479.76	91911-31415LF
21	0.602 (15.30)		0.394 (10.00)	0.354 (9.00)	609-3433-1-ND‡	1.98	1.26	1.10	500	500.50	91911-31421LF
25	0.681 (17.30)		0.472 (12.00)	0.433 (11.00)	609-3434-1-ND‡	2.13	1.36	1.18	500	539.06	91911-31425LF
31	.236 (6.00)	0.800 (20.30)	0.591 (15.00)	0.551 (14.00)	609-3435-1-ND‡	2.51	1.59	1.39	500	612.46	91911-31431LF
41		0.996 (25.30)	0.787 (20.00)	0.748 (19.00)	609-3436-1-ND‡	2.83	1.80	1.56	500	691.10	91911-31441LF
51		1.193 (30.30)	0.984 (25.00)	0.945 (24.00)	609-3437-1-ND‡	3.64	2.31	2.01	500	874.45	91911-31451LF
69		1.547 (39.30)	1.339 (34.00)	1.299 (33.00)	609-3438-1-ND‡	3.90	2.47	2.15	500	934.56	91911-31469LF
<b>Fig. 2 — Receptacles</b>											
9	—	0.366 (9.30)	0.157 (4.00)	0.118 (3.00)	609-1588-ND	1.71	.99	.88	—	—	91930-21109LF
11		0.406 (10.30)	0.197 (5.00)	0.157 (4.00)	609-1589-ND	1.78	1.06	.94	—	—	91930-21111LF
15		0.484 (12.30)	0.276 (7.00)	0.236 (6.00)	609-1590-ND	1.95	1.17	1.02	—	—	91930-21115LF
21		0.602 (15.30)	0.394 (10.00)	0.345 (9.00)	609-1591-ND	2.19	1.31	1.17	—	—	91930-21121LF
25		0.681 (17.30)	0.472 (12.00)	0.433 (11.00)	609-1592-ND	2.42	1.49	1.29	—	—	91930-21125LF
31	—	0.799 (20.30)	0.591 (15.00)	0.551 (14.00)	609-1593-ND	2.59	1.60	1.41	—	—	91930-21131LF
41		0.996 (25.30)	0.787 (20.00)	0.748 (19.00)	609-1594-ND	3.15	1.96	1.78	—	—	91930-21141LF
51		1.193 (30.30)	0.984 (25.00)	0.945 (24.00)	609-1595-ND	3.78	2.37	2.17	—	—	91930-21151LF
69		1.547 (39.30)	1.339 (34.00)	1.299 (33.00)	609-1596-ND	4.20	2.80	2.51	—	—	91930-21169LF

‡ Cut Tape § For Tape and Reel part number, change 1-ND to 2-ND.

## Rib-Cage™ High Density, .050" x .050" (1.27mm x 1.27mm) Pitch, Tolerant Board-to-Board Connector System



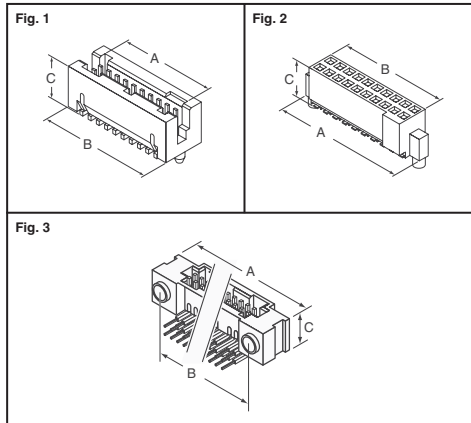
Rib-Cage is a versatile family of two-piece, two-row pin-and-socket connectors for right angle and mezzanine connections between printed circuit boards (PCB) or flexible printed circuits (FPC).

**Features:** • Exclusive Rib-Cage multi-pole, gold plated receptacle contacts provide optimal reliability in high vibration and shock-prone applications • High density .050" (1.27mm) x .050" (1.27mm) double row contact grid occupies only 20% of the volume of comparable 0.100" pitch systems • Polarization prevents mis-mating

**Applications:** • Shock resistant and vibration-prone electronic applications • Handheld test and diagnostic equipment • Electronic sub-assemblies used in conjunction with fans, motors and mechanical devices

**Materials:** Contact Plating: 30µ (0.76µm) gold over Nickel in Contact area; lead-free pure tin over Nickel on solder tails

**Electrical Performance:** 1.0A DC per contact with all contacts energized • Insulation Resistance: 50,000MΩ minimum initial • Withstanding Voltage: 800VAC, RMS at 60Hz



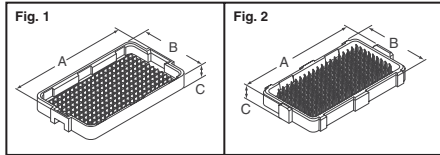
No. of Positions	Dimensions - Inch (mm)			Digi-Key Part No.	Price Each			FCI Part No.
	A	B	C		1	25	100	
<b>Fig. 1 — Vertical SMT Plugs</b>								
10	0.275 (6.99)	0.372 (9.45)	0.226 (5.74)	609-3175-ND	1.10	.60	.53	87409-105LF
20	0.525 (13.34)	0.622 (15.80)	0.226 (5.74)	609-1553-ND	1.39	.76	.66	87409-110LF
30	0.775 (19.68)	0.872 (22.15)	0.226 (5.74)	609-1554-ND	1.76	1.02	.90	87409-115LF
40	1.025 (26.03)	1.122 (28.50)	0.226 (5.74)	609-1555-ND	2.20	1.31	1.17	87409-120LF
50	1.275 (32.38)	1.372 (34.85)	0.226 (5.74)	609-3176-ND	3.10	1.93	1.75	87409-125LF
60	1.525 (38.74)	1.622 (41.20)	0.226 (5.74)	609-3177-ND	2.72	1.69	1.53	87409-130LF
70	1.775 (45.08)	1.872 (47.55)	0.226 (5.74)	609-3178-ND	3.96	2.57	2.35	87409-135LF
80	2.025 (51.43)	2.122 (53.90)	0.226 (5.74)	609-3179-ND	4.36	2.91	2.61	87409-140LF
90	2.275 (57.78)	2.372 (60.25)	0.226 (5.74)	609-3180-ND	5.28	3.59	3.24	87409-145LF
100	2.525 (64.14)	2.622 (66.60)	0.226 (5.74)	609-3181-ND	5.24	3.57	3.21	87409-150LF
<b>Fig. 2 — Vertical SMT Receptacles</b>								
10	0.370 (9.4)	0.266 (6.76)	0.187 (4.75)	609-3157-ND	1.07	.60	.51	87024-605LF
20	0.620 (15.75)	0.516 (13.11)	0.187 (4.75)	609-1550-ND	1.65	.97	.84	87024-610LF
30	0.870 (22.10)	0.766 (19.46)	0.187 (4.75)	609-1551-ND	2.26	1.36	1.19	87024-615LF
40	1.120 (28.45)	1.016 (25.81)	0.187 (4.75)	609-1552-ND	2.45	1.51	1.31	87024-620LF
50	1.37 (34.8)	1.266 (32.16)	0.187 (4.75)	609-3158-ND	3.25	2.09	1.86	87024-625LF
60	1.62 (41.15)	1.516 (38.51)	0.187 (4.75)	609-3159-ND	3.38	2.18	1.93	87024-630LF
70	1.87 (47.5)	1.766 (44.86)	0.187 (4.75)	609-3160-ND	4.15	2.76	2.48	87024-635LF
80	2.12 (53.85)	2.016 (51.21)	0.187 (4.75)	609-3161-ND	4.18	2.79	2.50	87024-640LF
90	2.37 (60.2)	2.266 (57.56)	0.187 (4.75)	609-3162-ND	5.13	3.55	3.14	87024-645LF
100	2.62 (66.55)	2.516 (63.91)	0.187 (4.75)	609-3163-ND	4.94	3.42	3.03	87024-650LF
<b>Fig. 3 — Right Angle PCB Plugs</b>								
10	0.635 (16.13)	0.485 (12.32)	0.201 (5.11)	609-3164-ND	4.33	2.89	2.59	87402-105LF
20	0.885 (22.48)	0.735 (18.67)	0.201 (5.11)	609-3165-ND	5.86	3.99	3.52	87402-110LF
30	1.135 (28.83)	0.985 (25.02)	0.201 (5.11)	609-3166-ND	7.25	4.93	4.54	87402-115LF
30	1.135 (28.83)	0.985 (25.02)	0.201 (5.11)	609-3174-ND	6.59	4.54	4.13	87402-515LF
40	1.385 (35.18)	1.235 (31.37)	0.201 (5.11)	609-3167-ND	6.32	4.49	3.96	87402-120LF
50	1.635 (41.52)	1.485 (37.72)	0.201 (5.11)	609-3168-ND	7.97	5.65	5.20	87402-125LF
60	1.885 (47.88)	1.735 (44.07)	0.201 (5.11)	609-3169-ND	8.23	5.84	5.38	87402-130LF
70	2.135 (54.23)	1.985 (50.42)	0.201 (5.11)	609-3170-ND	7.27	5.15	4.74	87402-135LF
80	2.385 (60.58)	2.235 (56.77)	0.201 (5.11)	609-3171-ND	8.94	6.49	5.77	87402-140LF
90	2.635 (66.93)	2.485 (63.12)	0.201 (5.11)	609-3172-ND	8.35	6.05	5.39	87402-145LF
100	2.885 (73.28)	2.735 (69.47)	0.201 (5.11)	609-3173-ND	8.24	5.85	5.38	87402-150LF

Digi-Reel® Most SMT cutdown parts are available on a Digi-Reel®. For Digi-Reel part number, change 1-ND to 6-ND or CT-ND to DKR-ND. See Digi-Key® Services on page 2 for additional information.

Free shipping on orders over £50! All prices are in British pound sterling and include duties.

uk.digikey.com — FREEPHONE: 0-800-587-0991 • 0-800-904-7786 — FREEFAX: 0-800-587-0992 • 0-800-904-7783

# FCI MEG-Array® High Speed Mezzanine Connectors



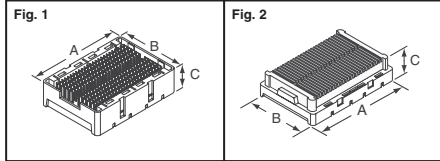
**Features:** • Utilized in high-density, high-speed mezzanine applications at data rates up to 1.0Gb/s • MEG-Array connectors support stack heights in the range of 4mm – 14mm with options for 81 – 528 contact positions • FCI's patented BGA technology, ensuring reliable attach, easy placement and routing and good electrical performance • Meet Telcordia GR-1217-CORE **Applications:** • Device-to-Board: Optical Transponders and Transceivers, Add/Drop Multiplexers, Control Units, Processor Cards, Displays, Medical Diagnostic Equipment (CT scan, Eye scan etc.) • Board-to-Board: Servers, Base Stations, Memory Cards, Mobile Broadcast Equipment

**A**

No. of Positions	Stacking Height Inch (mm)	Dimensions - Inch (mm)			Digi-Key Part No.	Cut Tape Price Each			Digi-Key Part No.	Tape and Reel		FCI Part No.
		A	B	C		1	25	100		Qty.	Pricing	
<b>Fig. 1 — Plugs</b>												
200	0.000 (0.00)	1.236 (31.40)	0.683 (17.34)	0.132 (3.35)	609-1090-1-ND	8.72	6.32	5.62	609-1090-2-ND	250	1492.10	84516-102LF
300	0.000 (0.00)	1.736 (44.10)	0.683 (17.34)	0.132 (3.35)	609-1095-1-ND	9.06	6.42	5.67	609-1095-2-ND	250	1479.41	84500-102LF
300	0.236 (6.00)	1.756 (44.60)	0.683 (17.34)	0.368 (9.35)	609-1096-1-ND	13.58	10.02	9.22	609-1096-2-ND	150	1493.06	84578-102LF
400	0.000 (0.00)	2.236 (56.80)	0.683 (17.34)	0.132 (3.35)	609-1100-1-ND	13.65	10.08	9.27	609-1100-2-ND	250	2457.81	84740-102LF
400	0.236 (6.00)	2.256 (57.30)	0.683 (17.34)	0.368 (9.35)	609-1101-1-ND	14.19	10.48	9.64	609-1101-2-ND	150	1561.63	84520-102LF
<b>Fig. 2 — Receptacles</b>												
200	0.157 (4.00)	1.165 (29.60)	0.647 (16.44)	0.132 (3.35)	609-1091-1-ND	10.68	7.74	6.89	609-1091-2-ND	250	1661.59	84517-101LF
200	0.236 (6.00)	1.165 (29.60)	0.647 (16.44)	0.211 (5.35)	609-1092-1-ND	11.16	8.12	7.36	609-1092-2-ND	200	1533.97	55724-101LF
200	0.315 (8.00)	1.165 (29.60)	0.647 (16.44)	0.289 (7.35)	609-1093-1-ND	10.11	7.35	6.66	609-1093-2-ND	150	1060.05	84535-101LF
200	0.315 (8.00)	1.165 (29.60)	0.647 (16.44)	0.289 (7.35)	609-1094-1-ND	15.70	12.01	10.99	609-1094-2-ND	150	1780.23	84535-201LF
300	0.157 (4.00)	1.665 (42.30)	0.645 (16.38)	0.132 (3.35)	609-1097-1-ND	14.45	10.67	9.81	609-1097-2-ND	250	2553.47	84501-101LF
300	0.217 (5.50)	1.665 (42.30)	0.645 (16.38)	0.191 (4.85)	609-1098-1-ND	16.52	12.65	11.57	609-1098-2-ND	200	2453.68	84502-101LF
300	0.315 (8.00)	1.665 (42.30)	0.647 (16.44)	0.289 (7.35)	609-1099-1-ND	16.07	12.30	11.26	609-1099-2-ND	150	1822.52	84553-101LF
400	0.157 (4.00)	2.165 (55.00)	0.647 (16.44)	0.132 (3.35)	609-1102-1-ND	14.32	10.57	9.72	609-1102-2-ND	250	2531.61	74221-101LF
400	0.236 (6.00)	2.165 (55.00)	0.647 (16.44)	0.211 (5.35)	609-1103-1-ND	16.84	12.89	11.79	609-1103-2-ND	250	3068.55	74388-101LF
400	0.315 (8.00)	2.165 (55.00)	0.647 (16.44)	0.289 (7.35)	609-1104-1-ND	15.97	12.22	11.19	609-1104-2-ND	200	2372.06	74390-101LF

# GIG-Array® High Speed Mezzanine Connectors

**Features:** • Designed to meet the needs of up to 10Gb/s applications • Stack heights available from 15mm – 40mm provide mezzanine design flexibility • Connector sizes of 200 and 296 signals providing 62 signal contacts per linear cm (158 signal contacts per linear inch) allow for optimization of board space and signal requirements • Very low cross-talk (VLC) design of less than 1% allows for required signal integrity performance  
**Applications:** • Communications: Transmission, Access, Switching, Optics and Networking • Data: Servers and Storage



No. of Positions	Dimensions - Inch (mm)			Digi-Key Part No.	Price Each			FCI Part No.
	A	B	C		1	25	100	
<b>Fig. 1 — Plugs — RoHS Compliant</b>								
200	1.50 (38.20)	1.00 (25.50)	0.46 (11.64)	609-2864-ND	27.27	20.98	19.58	10026802-001LF
296	2.12 (53.75)	1.00 (25.50)	0.46 (11.64)	609-2865-ND	38.26	29.44	27.47	10026804-001LF
200	1.50 (38.20)	1.00 (25.50)	0.97 (24.64)	609-2866-ND	22.01	16.94	15.81	10054783-001LF
296	2.12 (53.75)	1.00 (25.50)	0.97 (24.64)	609-2867-ND	35.60	27.90	25.98	10054784-001LF
200	1.50 (38.20)	1.00 (25.50)	0.50 (12.64)	609-2868-ND	21.21	17.20	16.05	10060910-001LF
296	2.12 (53.75)	1.00 (25.50)	0.50 (12.64)	609-2869-ND	28.89	21.90	20.77	10060911-001LF
296	2.12 (53.75)	1.00 (25.50)	0.58 (14.64)	609-2872-ND	36.53	28.64	26.66	55700-001LF
296	2.12 (53.75)	1.00 (25.50)	0.38 (9.64)	609-2874-ND	28.13	21.47	20.36	55720-001LF
296	2.12 (53.75)	1.00 (25.50)	0.77 (19.64)	609-2875-ND	36.94	28.95	26.96	55727-001LF
200	1.50 (38.20)	1.00 (25.50)	0.38 (9.64)	609-2877-ND	21.82	16.79	15.67	55737-001LF
200	1.50 (38.20)	1.00 (25.50)	0.58 (14.64)	609-2878-ND	27.90	21.30	20.19	55738-001LF
200	1.50 (38.20)	1.00 (25.50)	0.77 (19.64)	609-2879-ND	28.24	21.56	20.44	55739-001LF
<b>Fig. 2 — Receptacles</b>								
200	1.50 (38.20)	1.00 (25.50)	0.57 (14.51)	609-2870-ND◆	22.08	16.99	15.86	10060912-001LF
296	2.12 (53.75)	1.00 (25.50)	0.57 (14.51)	609-2871-ND◆	28.45	21.72	20.59	10060913-001LF
296	2.12 (53.75)	1.00 (25.50)	0.18 (4.51)	609-2873-ND◆	28.28	21.76	20.31	55701-001LF
296	2.12 (53.75)	1.00 (25.50)	0.57 (14.51)	609-2876-ND◆	28.45	21.72	20.59	55733-001LF
200	1.50 (38.20)	1.00 (25.50)	0.18 (4.51)	609-2880-ND◆	21.71	16.29	15.20	55740-001LF
200	1.50 (38.20)	1.00 (25.50)	0.57 (14.51)	609-2881-ND◆	22.08	16.99	15.86	55741-001LF
200	1.50 (38.20)	1.00 (25.50)	0.655 (16.64)	609-3125-ND	21.05	15.80	14.74	10081496-001
200	1.50 (38.20)	1.00 (25.50)	0.655 (16.64)	609-3126-ND◆	21.05	15.80	14.74	10081496-001LF
296	2.12 (53.75)	1.00 (25.50)	0.655 (16.64)	609-3127-ND	27.90	21.30	20.20	10081497-001
296	2.12 (53.75)	1.00 (25.50)	0.655 (16.64)	609-3128-ND◆	27.90	21.30	20.20	10081497-001LF

◆ RoHS Compliant

# BTFW Series Connector System 0.04" (1.00mm) Floating Board-to-Board



The BTFW Series is a floating board-to-board connector system consisting of plugs and receptacles with two rows of staggered contacts on 0.04" (1.00mm) center lines. This connector system, is designed for board-to-board applications, such as audio video (AV) and navigation systems in automobiles, that require high density and high reliability interconnects with higher pin counts and surface mount termination. The contacts have a wide floating allowance of ± 0.03" (0.80mm) in the pitch direction and ± 0.02" (0.50mm) in the width direction.

**Features:** • Wide floating allowance absorbs mating shift between plug and receptacle, permitting self-alignment of the mating connectors; and provides highly reliable mechanical performance • FCI's Gas Tight High Pressure (GTH) contact system provides a highly reliable gas tight (and low cost) connected interface  
**Materials:** • Housing: Glass filled thermoplastic (UL 94V-0) • Color: Black • **SMT Plug:** • Contact: Phosphor bronze • Contact Plating: Tin alloy • **SMT and DIP Receptacle:** • Contact: Brass • Contact Plating: Tin alloy  
**Electrical and Mechanical Performance:** • Contact resistance: 70mΩ maximum initial • Insulation Resistance: 100MΩ minimum • Current Rating: 1A • Durability: 20 Mating Cycles • Operating Temperature Range: -55°C – 85°C

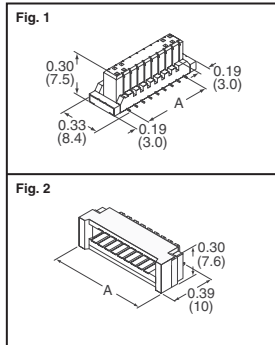


Fig.	No. of Positions	Dim. - Inch (mm)	Digi-Key Part No.	Cut Tape Price Each			Digi-Key Part No.	Tape & Reel Pricing	FCI Part No.
				1	25	100			
<b>Vertical SMT Plug</b>									
1	18	0.552 (14.02)	609-2473-1-ND	1.15	.63	.55	609-2473-2-ND	332.71	BTFW18P-3SSTE1LF
<b>Right Angle SMT Receptacle</b>									
2	20	0.670 (17.02)	609-2476-1-ND	.96	.53	.45	—	—	BTFW20R-3RSTE1LF

Digi-Reel® Most SMT cutdown parts are available on a Digi-Reel®. For Digi-Reel part number, change 1-ND to 6-ND or CT-ND to DKR-ND. See Digi-Key® Services on page 2 for additional information.

**Free shipping on orders over £50! All prices are in British pound sterling and include duties.**  
134 (UK091) uk.digikey.com — FREEPHONE: 0-800-587-0991 • 0-800-904-7786 — FREEFAX: 0-800-587-0992 • 0-800-904-7783