

JST PHD Series 2.0mm Connectors (Cont.)



| Fig. | Cir- cuts | Dimensions - mm A B | Digi-Key Part No. | 10 | Pricing 100 500 | JST Part No. | |
|------------------------------|--------------|------------------------|----------------------|------|--------------------|-----------------|----------------------|
| Side Entry (Shrouded) | | | | | | | |
| 3 | 8 | 6.0 9.9 | 455-2256-ND | 2.22 | 18.52 | 74.09 | S8B-PHDSS(LF)(SN)(P) |
| | 10 | 8.0 11.9 | 455-1775-ND | 2.64 | 21.98 | 87.90 | S10B-PHDSS(LF)(SN) |
| | 12 | 10.0 13.9 | 455-1776-ND | 3.09 | 25.74 | 102.95 | S12B-PHDSS(LF)(SN) |
| | 14 | 12.0 15.9 | 455-1777-ND | 3.65 | 30.46 | 121.82 | S14B-PHDSS(LF)(SN) |
| | 16 | 14.0 17.9 | 455-1778-ND | 3.78 | 31.49 | 125.96 | S16B-PHDSS(LF)(SN) |
| | 18 | 16.0 19.9 | 455-1779-ND | 4.19 | 34.88 | 139.54 | S18B-PHDSS(LF)(SN) |
| | 20 | 18.0 21.9 | 455-1780-ND | 4.56 | 37.99 | 151.95 | S20B-PHDSS(LF)(SN) |
| | 22 | 20.0 23.9 | 455-1781-ND | 5.73 | 47.76 | 191.02 | S22B-PHDSS(LF)(SN) |
| | 24 | 22.0 25.9 | 455-1782-ND | 6.22 | 51.85 | 207.40 | S24B-PHDSS(LF)(SN) |
| | 26 | 24.0 27.9 | 455-1783-ND | 6.51 | 54.29 | 217.17 | S26B-PHDSS(LF)(SN) |
| | 28 | 26.0 29.9 | 455-1784-ND | 6.72 | 56.03 | 224.12 | S28B-PHDSS(LF)(SN) |
| | 30 | 28.0 31.9 | 455-1785-ND | 7.13 | 59.39 | 237.53 | S30B-PHDSS(LF)(SN) |
| | 32 | 30.0 33.9 | 455-1786-ND | 7.43 | 61.91 | 247.62 | S32B-PHDSS(LF)(SN) |
| | 34 | 32.0 35.9 | 455-1787-ND | 7.71 | 64.27 | 257.05 | S34B-PHDSS(LF)(SN) |

| Description | Digi-Key Part No. | Cut Tape Pricing | | Tape & Reel Pricing* | JST Part No. |
|----------------------------|----------------------|---------------------|------|-------------------------|-----------------|
| | | 100 | 500 | | |
| Contacts-Tin Plated | | | | | |
| 26 - 22 AWG | 455-1325-1-ND | 1.68 | 6.72 | 10.09/M | SPHD-001T-P0.5 |
| 28 - 24 AWG | 455-1313-1-ND | 1.68 | 6.72 | 10.09/M | SPHD-002T-P0.5 |
| Crimp Tools | | | | | |
| 26 - 22 AWG Contacts | 455-1238-ND | 319.55/1 | — | — | WC-610 |
| 28 - 24 AWG Contacts | 455-1237-ND | 633.99/1 | — | — | YRS-620 |

* For Tape and Reel part number, change 1-ND to 2-ND.

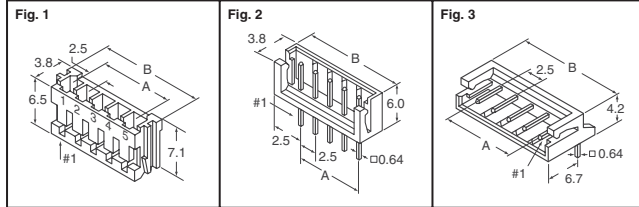
EH Series 2.5mm Connectors



Features: • Compact and Slim: This connector is designed to be compact and unusually thin. It measures only 8.1mm (.319") high after mounting and is just 3.8mm (.150") wide. • Highly Reliable Contact: The contact has long dimples near the center that ensure continuity of low voltage and low current circuits at all times, even under conditions of vibration and abusive prying. • Polarizing Guides: The header and housing have guides to prevent improper mating. • Whisker Prevention: The contact material is treated with a reflow process, and the square post is copper-undercoated and tin/lead-plated for whisker prevention. • Easy and Effective Crimping: Although the contact is compact, it has a long wire strip length, 2.6 ± 0.4mm (.102" ± .016"). This long length is very useful for automatic crimping and when crimping shielded wires.

Specifications: • Current Rating: 3A AC/DC (22 AWG) • Voltage Rating: 250V AC/DC • Temperature Range: -25°C - 85°C • Applicable Wire: 32 - 22 AWG

Material and Finish: • Contact: Phosphor bronze, tin-plated • Housing: Nylon 66, UL94V-0, natural (white) • Posts for Headers: Brass, copper-undercoated, tin/lead plated • Wafer: Nylon 66, UL94V-0, natural (white) **Applicable PC Board Thickness:** 0.8 - 1.6mm (.031" - .063")



| Fig. | Cir- cuts | Dimensions - mm A B | Digi-Key Part No. | 10 | Pricing 100 500 | JST Part No. | |
|--|--|------------------------|----------------------|------|--------------------|-----------------|-------------------|
| Disconnectable Crimp Style Female Receptacle Housing — RoHS Compliant | | | | | | | |
| 1 | 2 | 2.5 7.0 | 455-1000-ND | .30 | 2.53 | 10.11 | EHR-2 |
| | 3 | 5.0 9.5 | 455-1001-ND | .33 | 2.80 | 11.19 | EHR-3 |
| | 4 | 7.5 12.0 | 455-1002-ND | .34 | 2.85 | 11.41 | EHR-4 |
| | 5 | 10.0 14.5 | 455-1003-ND | .38 | 3.17 | 12.69 | EHR-5 |
| | 6 | 12.5 17.0 | 455-1004-ND | .41 | 3.44 | 13.76 | EHR-6 |
| | 7 | 15.0 19.5 | 455-1005-ND | .48 | 3.98 | 15.91 | EHR-7 |
| | 8 | 17.5 22.0 | 455-1006-ND | .49 | 4.15 | 16.57 | EHR-8 |
| | 9 | 20.0 24.5 | 455-1007-ND | .71 | 5.92 | 23.67 | EHR-9 |
| | 10 | 22.5 27.0 | 455-1008-ND | .75 | 6.24 | 24.96 | EHR-10 |
| | 11 | 25.0 29.5 | 455-1009-ND | .93 | 7.75 | 30.99 | EHR-11 |
| | 12 | 27.5 32.0 | 455-1010-ND | 1.13 | 9.36 | 37.44 | EHR-12 |
| | 13 | 30.0 34.5 | 455-1011-ND | 1.19 | 9.90 | 39.59 | EHR-13 |
| | 14 | 32.5 37.0 | 455-1012-ND | 1.51 | 12.59 | 50.35 | EHR-14 |
| | 15 | 35.0 39.5 | 455-1013-ND | 1.55 | 12.97 | 51.85 | EHR-15 |
| | Top Entry Shrouded Board-Mount Headers (Use with EH and HR Series Female Housing - Not TUV approved) — RoHS Compliant | | | | | | |
| 2 | 2 | 2.5 7.5 | 455-1611-ND | .53 | 4.39 | 17.57 | B2B-EH-A(LF)(SN) |
| | 3 | 5.0 10.0 | 455-1612-ND | .72 | 5.96 | 23.84 | B3B-EH-A(LF)(SN) |
| | 4 | 7.5 12.5 | 455-1613-ND | .94 | 7.85 | 31.38 | B4B-EH-A(LF)(SN) |
| | 5 | 10.0 15.0 | 455-1614-ND | 1.13 | 9.37 | 37.48 | B5B-EH-A(LF)(SN) |
| | 6 | 12.5 17.5 | 455-1615-ND | 1.35 | 11.25 | 45.00 | B6B-EH-A(LF)(SN) |
| | 7 | 15.0 20.0 | 455-1616-ND | 1.53 | 12.78 | 51.10 | B7B-EH-A(LF)(SN) |
| | 8 | 17.5 22.5 | 455-1617-ND | 1.74 | 14.48 | 57.91 | B8B-EH-A(LF)(SN) |
| | 9 | 20.0 25.0 | 455-1618-ND | 1.93 | 16.10 | 64.37 | B9B-EH-A(LF)(SN) |
| | 10 | 22.5 27.5 | 455-1619-ND | 2.25 | 18.74 | 74.94 | B10B-EH-A(LF)(SN) |
| | 11 | 25.0 30.0 | 455-1620-ND | 2.48 | 20.66 | 82.65 | B11B-EH-A(LF)(SN) |
| | 12 | 27.5 32.5 | 455-1621-ND | 2.58 | 21.52 | 86.07 | B12B-EH-A(LF)(SN) |
| | 13 | 30.0 35.0 | 455-1622-ND | 3.06 | 25.50 | 102.02 | B13B-EH-A(LF)(SN) |
| | 14 | 32.5 37.5 | 455-1623-ND | 3.31 | 27.61 | 110.44 | B14B-EH-A(LF)(SN) |
| | 15 | 35.0 40.0 | 455-1624-ND | 3.50 | 29.13 | 116.54 | B15B-EH-A(LF)(SN) |

| Fig. | Cir- cuts | Dimensions - mm A B | Digi-Key Part No. | 10 | Pricing 100 500 | JST Part No. | |
|--|--------------|------------------------|----------------------|------|--------------------|-----------------|-----------------|
| Side Entry Shrouded Board-Mount Headers (Use with EH and HR Series Female Housing) | | | | | | | |
| 3 | 7 | 15.0 20.0 | 455-1033-ND | 1.64 | 13.66 | 54.64 | S7B-EH |
| Side Entry Shrouded Board-Mount Headers (Use with EH and HR Series Female Housing) — RoHS Compliant | | | | | | | |
| 3 | 2 | 2.5 7.5 | 455-1625-ND | .63 | 5.25 | 20.98 | S2B-EH(LF)(SN) |
| | 3 | 5.0 10.0 | 455-1626-ND | .76 | 6.28 | 25.11 | S3B-EH(LF)(SN) |
| | 4 | 7.5 12.5 | 455-1627-ND | .89 | 7.44 | 29.76 | S4B-EH(LF)(SN) |
| | 5 | 10.0 15.0 | 455-1628-ND | 1.17 | 9.73 | 38.91 | S5B-EH(LF)(SN) |
| | 6 | 12.5 17.5 | 455-1629-ND | 1.45 | 12.10 | 48.41 | S6B-EH(LF)(SN) |
| | 7 | 15.0 20.0 | 455-1630-ND | 1.72 | 14.35 | 57.37 | S7B-EH(LF)(SN) |
| | 8 | 17.5 22.5 | 455-1631-ND | 2.02 | 16.81 | 67.23 | S8B-EH(LF)(SN) |
| | 9 | 20.0 25.0 | 455-1632-ND | 2.15 | 17.93 | 71.71 | S9B-EH(LF)(SN) |
| | 10 | 22.5 27.5 | 455-1633-ND | 2.65 | 22.10 | 88.39 | S10B-EH(LF)(SN) |
| | 11 | 25.0 30.0 | 455-1634-ND | 2.94 | 24.47 | 97.89 | S11B-EH(LF)(SN) |
| | 12 | 27.5 32.5 | 455-1635-ND | 3.11 | 25.91 | 103.63 | S12B-EH(LF)(SN) |
| | 13 | 30.0 35.0 | 455-1636-ND | 3.84 | 31.96 | 127.85 | S13B-EH(LF)(SN) |
| | 14 | 32.5 37.5 | 455-1637-ND | 4.08 | 33.98 | 135.90 | S14B-EH(LF)(SN) |
| | 15 | 35.0 40.0 | 455-1638-ND | 4.39 | 36.58 | 146.30 | S15B-EH(LF)(SN) |

| Description | Digi-Key Part No. | Cut Tape Pricing 100 500 | T&R Pricing* 9,000 | JST Part No. |
|---------------------------------|----------------------|-----------------------------|-----------------------|-----------------|
| Contact — RoHS Compliant | | | | |
| 30 - 22 AWG | 455-1042-1-ND | 1.48 5.92 | 8.88/M | SEH-001T-P0.6 |
| Crimp Tool | | | | |
| 30 - 22 AWG Contacts | 455-1043-ND | 329.71/1 | — | WC-260 |

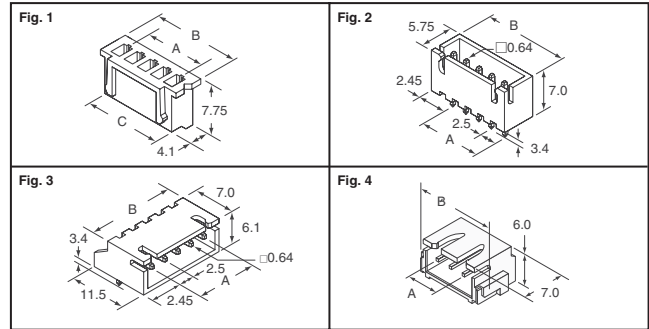
* For Tape and Reel part number, change 1-ND to 2-ND.

XH Series 2.5mm Connectors



The XH connector was developed based on the high reliability and versatility of the NH series connectors. The connector is very small with a mounting height of 9.8mm (.386").

Specifications: • Current Rating: 3A AC/DC (AWG #22) • Voltage Rating: 250V AC/DC • Temperature Range: -25°C - 85°C • Applicable Wire: 30 to 22 AWG • Applicable PC Board Thickness: 1.6mm (.063")



| Fig. | Cir- cuts | Dimension - mm A B C | Digi-Key Part No. | 10 | Pricing 100 500 | JST Part No. | |
|-----------------------------|---------------------------------------|-------------------------|----------------------|------|--------------------|-----------------|-------------------|
| Housing | | | | | | | |
| 1 | 1 | — 3.2 4.8 | 455-2220-ND | 1.42 | 11.84 | 47.37 | XHP-1 |
| | 2 | 2.5 5.7 7.3 | 455-2226-ND | .37 | 3.09 | 12.37 | XHP-2 |
| | 3 | 5.0 8.2 9.8 | 455-2219-ND | .41 | 3.43 | 13.72 | XHP-3 |
| | 4 | 7.5 10.7 12.3 | 455-2267-ND | .41 | 3.43 | 13.72 | XHP-4 |
| | 5 | 10.0 13.2 14.8 | 455-2268-ND | .46 | 3.83 | 15.33 | XHP-5 |
| | 6 | 12.5 15.7 17.3 | 455-2218-ND | .54 | 4.51 | 18.02 | XHP-6 |
| | 7 | 15.0 18.2 19.8 | 455-2269-ND | .57 | 4.71 | 18.83 | XHP-7 |
| | 9 | 20.0 23.2 24.8 | 455-2217-ND | .87 | 7.26 | 29.05 | XHP-9 |
| | 10 | 22.5 25.7 27.3 | 455-2210-ND | .88 | 7.33 | 29.31 | XHP-10 |
| | 11 | 25.0 28.2 29.8 | 455-2216-ND | 1.15 | 9.55 | 38.19 | XHP-11 |
| | 12 | 27.5 30.7 32.3 | 455-2215-ND | 1.21 | 10.08 | 40.34 | XHP-12 |
| | 13 | 30.0 33.2 34.8 | 455-2214-ND | 1.39 | 11.57 | 46.25 | XHP-13 |
| | 14 | 32.5 35.7 37.3 | 455-2213-ND | 1.79 | 14.93 | 59.71 | XHP-14 |
| | 15 | 35.0 38.2 39.8 | 455-2212-ND | 1.83 | 15.26 | 61.04 | XHP-15 |
| | 16 | 37.5 40.7 42.3 | 455-2209-ND | 3.17 | 26.43 | 105.69 | XHP-16 |
| | 20 | 47.5 50.7 52.3 | 455-2211-ND | 4.34 | 36.18 | 146.69 | XHP-20 |
| Headers | | | | | | | |
| Top Entry (Shrouded) | | | | | | | |
| 2 | 2 | 2.5 7.4 — | 455-2247-ND | .57 | 4.71 | 18.83 | B2B-XH-A(LF)(SN) |
| | 3 | 5.0 9.9 — | 455-2248-ND | .73 | 6.05 | 24.20 | B3B-XH-A(LF)(SN) |
| | 4 | 7.5 12.4 — | 455-2249-ND | .98 | 8.16 | 32.63 | B4B-XH-A(LF)(SN) |
| | 5 | 10.0 14.9 — | 455-2270-ND | 1.19 | 9.95 | 39.81 | B5B-XH-A(LF)(SN) |
| | 6 | 12.5 17.4 — | 455-2271-ND | 1.39 | 11.61 | 46.44 | B6B-XH-A(LF)(SN) |
| | 7 | 15.0 19.9 — | 455-2252-ND | 1.66 | 13.85 | 55.40 | B7B-XH-A(LF)(SN) |
| | 8 | 17.5 22.4 — | 455-2251-ND | 1.84 | 15.33 | 61.32 | B8B-XH-A(LF)(SN) |
| | 9 | 20.0 24.9 — | 455-2244-ND | 2.06 | 17.17 | 68.67 | B9B-XH-A(LF)(SN) |
| | 10 | 22.5 27.4 — | 455-2253-ND | 2.40 | 19.99 | 79.97 | B10B-XH-A(LF)(SN) |
| | 11 | 25.0 29.9 — | 455-2255-ND | 2.53 | 21.11 | 84.45 | B11B-XH-A(LF)(SN) |
| | 12 | 27.5 32.4 — | 455-2259-ND | 2.93 | 24.39 | 97.54 | B12B-XH-A(LF)(SN) |
| | 13 | 30.0 34.9 — | 455-2260-ND | 3.11 | 25.95 | 103.82 | B13B-XH-A(LF)(SN) |
| | 14 | 32.5 37.4 — | 455-2258-ND | 3.37 | 28.06 | 112.23 | B14B-XH-A(LF)(SN) |
| | 15 | 35.0 39.9 — | 455-2254-ND | 3.62 | 30.22 | 120.85 | B15B-XH-A(LF)(SN) |
| | 16 | 37.5 42.4 — | 455-2241-ND | 3.83 | 31.91 | 127.65 | B16B-XH-A(LF)(SN) |
| | Top Entry (Shrouded) With Boss | | | | | | |
| 2 | 1 | — 4.9 — | 455-2227-ND | 1.26 | 10.46 | 41.83 | B1B-XH-AM(LF)(SN) |
| | 2 | 2.5 7.4 — | 455-2273-ND | .63 | 5.25 | 20.98 | B2B-XH-AM(LF)(SN) |
| | 3 | 5.0 9.9 — | 455-2231-ND | .81 | 6.72 | 26.89 | B3B-XH-AM(LF)(SN) |
| | 4 | 7.5 12.4 — | 455-2237-ND | 1.05 | 8.74 | 34.96 | B4B-XH-AM(LF)(SN) |

(Continued)

Free shipping on orders over £50! All prices are in British pound sterling and include duties.

uk.digikey.com — FREEPHONE: 0-800-587-0991 • 0-800-904-7786 — FREEFAX: 0-800-587-0992 • 0-800-904-7783

JST XH Series 2.5mm Connectors (Cont.)



A

| Fig. | Circuits | Dimension - mm | | | Digi-Key Part No. | Pricing | | | JST Part No. |
|------------------------------|----------|----------------|------|---|-------------------|---------|-------|--------|--------------------|
| | | A | B | C | | 10 | 100 | 500 | |
| 2 | 5 | 10.0 | 14.9 | — | 455-2239-ND | 1.23 | 10.22 | 40.87 | B5B-XH-AM(LF)(SN) |
| | 6 | 12.5 | 17.4 | — | 455-2238-ND | 1.52 | 12.68 | 50.74 | B6B-XH-AM(LF)(SN) |
| | 7 | 15.0 | 19.9 | — | 455-2235-ND | 1.74 | 14.45 | 57.80 | B7B-XH-AM(LF)(SN) |
| | 8 | 17.5 | 22.4 | — | 455-2234-ND | 1.91 | 15.91 | 63.64 | B8B-XH-AM(LF)(SN) |
| | 10 | 22.5 | 27.4 | — | 455-2234-ND | 2.45 | 20.39 | 81.55 | B10B-XH-AM(LF)(SN) |
| | 12 | 27.5 | 32.4 | — | 455-2233-ND | 3.00 | 25.00 | 100.00 | B12B-XH-AM(LF)(SN) |
| Side Entry (Shrouded) | | | | | | | | | |
| 3 | 2 | 2.5 | 7.4 | — | 455-2257-ND | .82 | 6.82 | 27.25 | S2B-XH-A(LF)(SN) |
| | 3 | 5.0 | 9.9 | — | 455-2250-ND | 1.03 | 8.56 | 34.25 | S3B-XH-A(LF)(SN) |
| | 4 | 7.5 | 12.4 | — | 455-2243-ND | 1.30 | 10.80 | 43.20 | S4B-XH-A(LF)(SN) |
| | 5 | 10.0 | 14.9 | — | 455-2242-ND | 1.55 | 12.96 | 51.82 | S5B-XH-A(LF)(SN) |
| | 6 | 12.5 | 17.4 | — | 455-2236-ND | 1.98 | 16.54 | 66.16 | S6B-XH-A(LF)(SN) |
| | 7 | 15.0 | 19.9 | — | 455-2240-ND | 2.29 | 19.05 | 76.20 | S7B-XH-A(LF)(SN) |
| | 8 | 17.5 | 22.4 | — | 455-2225-ND | 2.44 | 20.31 | 81.22 | S8B-XH-A(LF)(SN) |
| | 9 | 20.0 | 24.9 | — | 455-2224-ND | 2.91 | 24.25 | 96.99 | S9B-XH-A(LF)(SN) |
| | 10 | 22.5 | 27.4 | — | 455-2228-ND | 3.06 | 25.46 | 101.84 | S10B-XH-A(LF)(SN) |
| | 11 | 25.0 | 29.9 | — | 455-2226-ND | 3.65 | 30.44 | 121.75 | S11B-XH-A(LF)(SN) |
| | 12 | 27.5 | 32.4 | — | 455-2221-ND | 3.99 | 33.26 | 133.04 | S12B-XH-A(LF)(SN) |
| | 13 | 30.0 | 34.9 | — | 455-2223-ND | 4.31 | 35.90 | 143.61 | S13B-XH-A(LF)(SN) |
| | 14 | 32.5 | 37.4 | — | 455-2222-ND | 4.39 | 36.62 | 146.49 | S14B-XH-A(LF)(SN) |
| | 15 | 35.0 | 39.9 | — | 455-2272-ND | 5.38 | 44.82 | 179.29 | S15B-XH-A(LF)(SN) |
| | 16 | 37.5 | 42.4 | — | 455-2229-ND | 6.06 | 50.54 | 202.13 | S16B-XH-A(LF)(SN) |

| Fig. | Circuits | Dimension - mm | | Digi-Key Part No. | Cut Tape Pricing | | | Tape & Reel* Pricing 500 | JST Part No. |
|-----------------------------|----------|----------------|------|-------------------|------------------|------|-------|--------------------------|-----------------------|
| | | A | B | | 1 | 10 | 100 | | |
| Headers | | | | | | | | | |
| SMT Entry (Shrouded) | | | | | | | | | |
| 4 | 3 | 5.0 | 12.5 | 455-2263-1-ND | .43 | 3.98 | 33.17 | 132.68 | S3B-XH-SM4-TB(LF)(SN) |
| | 4 | 7.5 | 15.0 | 455-2262-1-ND | .46 | 4.29 | 35.73 | 142.92 | S4B-XH-SM4-TB(LF)(SN) |
| | 6 | 12.5 | 20.0 | 455-2264-1-ND | .65 | 5.97 | 49.80 | 199.19 | S6B-XH-SM4-TB(LF)(SN) |

* For Tape and Reel part number, change 1-ND to 2-ND.

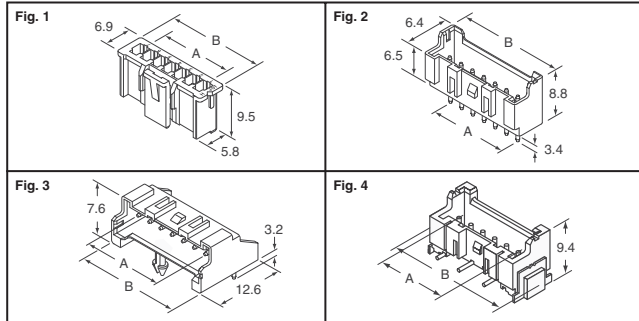
| Description | Digi-Key Part No. | Cut Tape Pricing | | Tape & Reel* Pricing 8,000 | JST Part No. |
|----------------------------|-------------------|------------------|------|----------------------------|---------------|
| | | 100 | 500 | | |
| Contacts | | | | | |
| 30 - 26 AWG | 455-2261-1-ND | 2.42 | 9.69 | 14.54/M | SXH-002T-P0.6 |
| 28 - 22 AWG | 455-1135-1-ND | 2.35 | 9.42 | 14.13/M | SXH-001T-P0.6 |
| Tools | | | | | |
| Crimp Tool for 30 - 26 AWG | 455-2245-ND | 633.99/1 | — | — | YRS-480 |
| Crimp Tool for 28 - 22 AWG | 455-1136-ND | 319.55/1 | — | — | WC-110 |
| Extraction Tool | 455-2246-ND | 35.49/1 | — | — | XJ-06 |

* For Tape and Reel part number, change 1-ND to 2-ND.

XA Series 2.5mm Connectors



- Features:**
 • Locking device to prevent accidental disconnection • Header wafer made of glass filled PA66 nylon, effective against solder crack • Low insertion force • Insertion guide mechanism
- Specifications:**
 • Current Rating: 3A AC/DC (AWG 20) • Voltage Rating: 250V AC/DC • Temperature Range: -25°C - 85°C • Applicable Wire: AWG 28 - 20



| Fig. | Circuits | Dimensions - mm | | Digi-Key Part No. | Pricing | | | JST Part No. |
|----------------|----------|-----------------|------|-------------------|---------|-------|-------|--------------|
| | | A | B | | 10 | 100 | 500 | |
| Housing | | | | | | | | |
| 1 | 3 | 5.0 | 9.8 | 455-2149-ND | .48 | 4.01 | 16.05 | XAP-03V-1 |
| | 4 | 7.5 | 12.3 | 455-2150-ND | .60 | 5.01 | 20.02 | XAP-04V-1 |
| | 5 | 10.0 | 14.8 | 455-2151-ND | .61 | 5.09 | 20.36 | XAP-05V-1 |
| | 6 | 12.5 | 17.3 | 455-2152-ND | .78 | 6.54 | 26.15 | XAP-06V-1 |
| | 7 | 15.0 | 19.8 | 455-2153-ND | .81 | 6.71 | 26.82 | XAP-07V-1 |
| | 8 | 17.5 | 22.3 | 455-2154-ND | 1.27 | 10.59 | 42.38 | XAP-08V-1 |
| | 9 | 20.0 | 24.8 | 455-2155-ND | 1.29 | 10.72 | 42.87 | XAP-09V-1 |
| | 10 | 22.5 | 27.3 | 455-2156-ND | 1.45 | 12.09 | 48.34 | XAP-10V-1 |
| | 11 | 25.0 | 29.8 | 455-2157-ND | 1.47 | 12.25 | 48.99 | XAP-11V-1 |
| | 12 | 27.5 | 32.3 | 455-2158-ND | 1.50 | 12.46 | 49.83 | XAP-12V-1 |
| | 13 | 30.0 | 34.8 | 455-2159-ND | 1.52 | 12.66 | 50.65 | XAP-13V-1 |
| | 14 | 32.5 | 37.3 | 455-2160-ND | 1.56 | 13.00 | 51.98 | XAP-14V-1 |
| | 15 | 35.0 | 39.8 | 455-2161-ND | 1.58 | 13.16 | 52.64 | XAP-15V-1 |

| Fig. | Circuits | Dimensions - mm | | Digi-Key Part No. | Pricing | | | JST Part No. |
|---|----------|-----------------|-------------|-------------------|---------|--------|---------------------|---------------------|
| | | A | B | | 10 | 100 | 500 | |
| Headers | | | | | | | | |
| Top Entry - Through Hole (Shrouded) Without Boss | | | | | | | | |
| 2 | 2 | 2.5 | 7.5 | 455-1989-ND | .91 | 7.57 | 30.27 | B02B-XASK-1(LF)(SN) |
| | 3 | 5.0 | 10.0 | 455-1990-ND | 1.19 | 9.95 | 39.81 | B03B-XASK-1(LF)(SN) |
| | 4 | 7.5 | 12.5 | 455-1994-ND | 1.48 | 12.37 | 49.48 | B04B-XASK-1(LF)(SN) |
| | 5 | 10.0 | 15.0 | 455-1995-ND | 1.88 | 15.67 | 62.70 | B05B-XASK-1(LF)(SN) |
| | 6 | 12.5 | 17.5 | 455-1996-ND | 2.17 | 18.10 | 72.38 | B06B-XASK-1(LF)(SN) |
| | 8 | 17.5 | 22.5 | 455-1998-ND | 2.88 | 24.02 | 96.05 | B08B-XASK-1(LF)(SN) |
| 9 | 20.0 | 25.0 | 455-1999-ND | 3.20 | 26.70 | 106.81 | B09B-XASK-1(LF)(SN) | |
| 12 | 27.5 | 32.5 | 455-2005-ND | 4.46 | 37.19 | 148.76 | B12B-XASK-1(LF)(SN) | |
| Side Entry - Through Hole (Shrouded) | | | | | | | | |
| 3 | 2 | 2.5 | 7.5 | 455-2044-ND | 2.48 | 20.60 | 82.41 | SOB2-XASS-1(LF)(SN) |

| Fig. | Circuits | Dim. - mm | | Digi-Key Part No. | Cut Tape Pricing | | Tape & Reel* Pricing 500 | JST Part No. |
|----------------------------|----------|-----------|------|-------------------|------------------|-------|--------------------------|-----------------------|
| | | A | B | | 10 | 100 | | |
| Headers | | | | | | | | |
| SMT Type (Shrouded) | | | | | | | | |
| 4 | 2 | 2.5 | 10.0 | 455-2022-1-ND | 4.62 | 38.53 | 154.11 | BM02B-XASS-TF(LF)(SN) |
| | 3 | 5.0 | 12.5 | 455-2023-1-ND | 5.76 | 48.06 | 192.24 | BM03B-XASS-TF(LF)(SN) |
| | 5 | 10.0 | 17.5 | 455-2024-1-ND | 6.66 | 55.50 | 221.98 | BM05B-XASS-TF(LF)(SN) |
| | 6 | 12.5 | 20.0 | 455-2025-1-ND | 7.24 | 60.35 | 241.37 | BM06B-XASS-TF(LF)(SN) |
| | 7 | 15.0 | 22.5 | 455-2026-1-ND | 8.68 | 72.37 | 289.50 | BM07B-XASS-TF(LF)(SN) |
| | 8 | 17.5 | 25.0 | 455-2027-1-ND | 9.02 | 75.13 | 300.53 | BM08B-XASS-TF(LF)(SN) |
| | 9 | 20.0 | 27.5 | 455-2028-1-ND | 9.35 | 77.93 | 311.72 | BM09B-XASS-TF(LF)(SN) |
| | 13 | 30.0 | 37.5 | 455-2029-1-ND | 11.90 | 99.18 | 396.70 | BM13B-XASS-TF(LF)(SN) |

* For Tape and Reel part number, change 1-ND to 2-ND.

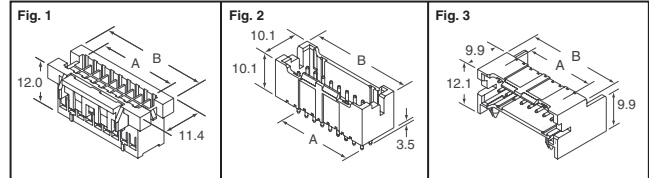
| Description | Digi-Key Part No. | Cut Tape Pricing | | Tape & Reel* Pricing 8,000 | JST Part No. |
|------------------------------|-------------------|------------------|------|----------------------------|--------------|
| | | 10 | 500 | | |
| Contacts - Tin Plated | | | | | |
| 26 - 22 AWG | 455-2050-1-ND | .17 | 1.36 | 5.47 | 8.20/M |
| 24 - 20 AWG | 455-2051-1-ND | .17 | 1.44 | 5.74 | 8.62/M |
| Hand Crimp Tools | | | | | |
| 26 - 22 AWG | 455-2045-ND | 319.55/1 | — | — | WC-691 |
| 24 - 20 AWG | 455-2046-ND | 369.54/1 | — | — | WC-700M |
| 24 - 20 AWG | 455-2049-ND | 872.46/1 | — | — | YRS-692 |

* For Tape and Reel part number, change 1-ND to 2-ND.

XAD Series 2.5mm Connectors



- Features:**
 • Locking device prevents accidental disconnection • Solder crack preventive material • Mis-insertion preventative design
- Specifications:**
 • Current Rating: 3A AC/DC (20 AWG) • Voltage Rating: 250V AC/DC • Temperature Range: -25°C - 85°C • Applicable Wire: 28 - 20 AWG



| Fig. | Circuits | Dimensions (mm) | | Digi-Key Part No. | Pricing | | | JST Part No. | |
|----------------|------------------------------|-----------------|------|-------------------|-------------|-------|--------|----------------------|----------------------|
| | | A | B | | 1 | 10 | 100 | | |
| Housing | | | | | | | | | |
| 1 | 8 | 7.5 | 14.7 | 455-2162-ND | — | 1.58 | 13.16 | XADRP-08V | |
| | 10 | 10.0 | 17.2 | 455-2163-ND | — | 1.61 | 13.43 | XADRP-10V | |
| | 12 | 12.5 | 19.7 | 455-2164-ND | — | 1.64 | 13.69 | XADRP-12V | |
| | 14 | 15.0 | 22.2 | 455-2165-ND | — | 1.68 | 13.98 | XADRP-14V | |
| | 16 | 17.5 | 24.7 | 455-2166-ND | — | 1.71 | 14.26 | XADRP-16V | |
| | 18 | 20.0 | 27.2 | 455-2167-ND | — | 1.74 | 14.52 | XADRP-18V | |
| | 20 | 22.5 | 29.7 | 455-2168-ND | — | 1.77 | 14.78 | XADRP-20V | |
| | 22 | 25.0 | 32.2 | 455-2169-ND | — | 1.81 | 15.05 | XADRP-22V | |
| | 24 | 27.5 | 34.7 | 455-2170-ND | — | 1.84 | 15.31 | XADRP-24V | |
| | 26 | 30.0 | 37.2 | 455-2171-ND | — | 1.88 | 15.67 | XADRP-26V | |
| | 28 | 32.5 | 39.7 | 455-2172-ND | — | 1.90 | 15.88 | XADRP-28V | |
| | 30 | 35.0 | 42.2 | 455-2174-ND | — | 1.95 | 16.20 | XADRP-30V | |
| | 34 | 40.0 | 47.2 | 455-2173-ND | — | 2.00 | 16.66 | XADRP-34V | |
| | 40 | 47.5 | 54.7 | 455-2175-ND | — | 2.10 | 17.50 | XADRP-40V | |
| | Headers | | | | | | | | |
| | Top Entry (Shrouded) | | | | | | | | |
| 2 | 8 | 7.5 | 15.0 | 455-1997-ND | — | 3.18 | 26.50 | B08B-XADSS-N(LF)(SN) | |
| | 10 | 10.0 | 17.5 | 455-2002-ND | — | 3.60 | 29.98 | B10B-XADSS-N(LF)(SN) | |
| | 14 | 15.0 | 22.5 | 455-2008-ND | — | 4.20 | 35.03 | B14B-XADSS-N(LF)(SN) | |
| | 18 | 20.0 | 27.5 | 455-2011-ND | — | 5.03 | 41.94 | B18B-XADSS-N(LF)(SN) | |
| | 20 | 22.5 | 30.0 | 455-2014-ND | — | 5.23 | 43.65 | B20B-XADSS-N(LF)(SN) | |
| | 26 | 30.0 | 37.5 | 455-2019-ND | — | 6.74 | 56.19 | B26B-XADSS-N(LF)(SN) | |
| | 36 | 42.5 | 50.0 | 455-2020-ND | — | 9.67 | 80.56 | B36B-XADSS-N(LF)(SN) | |
| | 40 | 47.5 | 55.0 | 455-2021-ND | — | 11.01 | 91.80 | B40B-XADSS-N(LF)(SN) | |
| | Side Entry (Shrouded) | | | | | | | | |
| | 3 | 8 | 7.5 | 15.0 | 455-2031-ND | 1.07 | 9.90 | 82.43 | S08B-XADSS-N(LF)(SN) |
| 12 | | 12.5 | 20.0 | 455-2033-ND | 1.16 | 10.70 | 89.20 | S12B-XADSS-N(LF)(SN) | |
| 14 | | 15.0 | 22.5 | 455-2034-ND | 1.29 | 11.86 | 98.77 | S14B-XADSS-N(LF)(SN) | |
| 20 | | 22.5 | 30.0 | 455-2035-ND | 1.63 | 15.01 | 125.10 | S20B-XADSS-N(LF)(SN) | |
| 26 | | 30.0 | 37.5 | 455-2036-ND | 2.66 | 24.57 | 204.75 | S26B-XADSS-N(LF)(SN) | |

Free shipping on orders over £50! All prices are in British pound sterling and include duties.
 130 (UK091) uk.digikey.com — FREEPHONE: 0-800-587-0991 • 0-800-904-7786 — FREEFAX: 0-800-587-0992 • 0-800-904-7783