

JST PH Series 2.0mm Connectors



Features:
 • Contact has long dimples near the center to ensure a good connection at all times • Square post is copper-undercoated and tin/lead-plated for superior solderability and for whisker prevention • This connector is also available in a surface mount configuration. Its housing is made of heat resistant resin so that it is not adversely affected during reflow soldering.

Specifications:
 • Current Rating: 2A AC/DC • Voltage Rating: 100V AC/DC • Temperature Range: -25°C - 85°C • Applicable Wire: 32 - 24 AWG • Color: Natural (White)

A

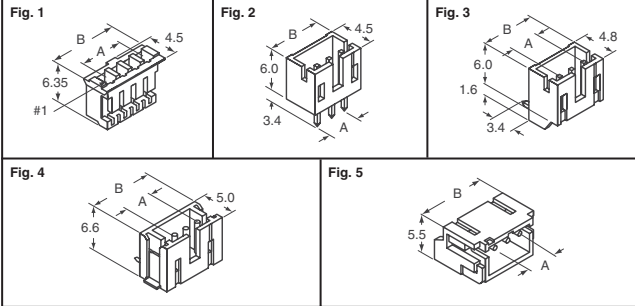


Fig.	Cir-cuits	Dimensions (mm) A B	Digi-Key Part No.	Cut Tape Pricing 10 100 500	T & R* Pricing 1,000	JST Part No.
Receptacle Housing						
1	2	2.0 5.8	455-1165-ND	.33 2.76 11.03	—	PHR-2
	3	4.0 7.8	455-1126-ND	.34 2.82 11.30	—	PHR-3
	4	6.0 9.8	455-1164-ND	.41 3.43 13.72	—	PHR-4
	5	8.0 11.8	455-1163-ND	.43 3.56 14.26	—	PHR-5
	6	10.0 13.8	455-1162-ND	.46 3.90 15.59	—	PHR-6
	7	12.0 15.8	455-1161-ND	.60 4.97 19.90	—	PHR-7
	8	14.0 17.8	455-1189-ND	.62 5.18 20.71	—	PHR-8
	9	16.0 19.8	455-1159-ND	.63 5.25 20.98	—	PHR-9
	10	18.0 21.8	455-1151-ND	.68 5.65 22.59	—	PHR-10
	11	20.0 23.8	455-1157-ND	1.21 10.08 40.34	—	PHR-11
	12	22.0 25.8	455-1156-ND	1.31 10.96 43.84	—	PHR-12
	13	24.0 27.8	455-1155-ND	1.39 11.63 46.53	—	PHR-13
	14	26.0 29.8	455-1154-ND	1.55 12.97 51.90	—	PHR-14
	15	28.0 31.8	455-1153-ND	1.61 13.45 53.79	—	PHR-15
	16	30.0 33.8	455-1152-ND	2.16 17.95 71.81	—	PHR-16

Headers						
Top Entry Thru-hole (Shrouded)						
2	2	2.0 5.9	455-1704-ND	.65 5.44 21.74	—	B2B-PH-K-S(LF)(SN)
	3	4.0 7.9	455-1705-ND	.91 7.64 30.55	—	B3B-PH-K-S(LF)(SN)
	4	6.0 9.9	455-1706-ND	1.14 9.53 38.09	—	B4B-PH-K-S(LF)(SN)
	5	8.0 11.9	455-1707-ND	1.48 12.32 49.27	—	B5B-PH-K-S(LF)(SN)
	6	10.0 13.9	455-1708-ND	1.69 14.09 56.37	—	B6B-PH-K-S(LF)(SN)
	7	12.0 15.9	455-1709-ND	2.00 16.62 66.48	—	B7B-PH-K-S(LF)(SN)
	8	14.0 17.9	455-1710-ND	2.18 18.18 72.72	—	B8B-PH-K-S(LF)(SN)
	9	16.0 19.9	455-1711-ND	2.47 20.55 82.18	—	B9B-PH-K-S(LF)(SN)
	10	18.0 21.9	455-1712-ND	2.69 22.43 89.71	—	B10B-PH-K-S(LF)(SN)
	11	20.0 23.9	455-1713-ND	2.90 24.20 96.82	—	B11B-PH-K-S(LF)(SN)
	12	22.0 25.9	455-1714-ND	3.13 26.09 104.35	—	B12B-PH-K-S(LF)(SN)
	13	24.0 27.9	455-1715-ND	3.46 28.78 115.11	—	B13B-PH-K-S(LF)(SN)
	14	26.0 29.9	455-1716-ND	3.72 31.04 124.15	—	B14B-PH-K-S(LF)(SN)
	15	28.0 31.9	455-1717-ND	3.97 33.08 132.32	—	B15B-PH-K-S(LF)(SN)
	16	30.0 33.9	455-1718-ND	4.51 37.60 150.38	—	B16B-PH-K-S(LF)(SN)

Fig.	Cir-cuits	Dimensions (mm) A B	Digi-Key Part No.	Cut Tape Pricing 10 100 500	T & R* Pricing 1,000	JST Part No.
4	10	18.0 23.95	455-1742-1-ND	7.59 63.26 253.03	420.02	B10B-PH-SM4-TB(LF)(SN)
	11	20.0 25.95	455-1743-1-ND	8.07 67.29 269.15	446.79	B11B-PH-SM4-TB(LF)(SN)
	12	22.0 27.95	455-1744-1-ND	8.44 70.30 281.20	466.80	B12B-PH-SM4-TB(LF)(SN)
	13	24.0 29.95	455-1745-1-ND	8.70 72.56 290.24	481.80	B13B-PH-SM4-TB(LF)(SN)
	14	26.0 31.95	455-1746-1-ND	8.98 74.82 299.28	496.80	B14B-PH-SM4-TB(LF)(SN)
	15	28.0 33.95	455-1747-1-ND	9.25 77.08 308.31	511.79	B15B-PH-SM4-TB(LF)(SN)
16	30.0 35.95	455-1748-1-ND	9.52 79.34 317.35	526.80	B16B-PH-SM4-TB(LF)(SN)	

Side Entry SMT (Shrouded)						
Description	Digi-Key Part No.	Cut Tape Pricing 1 100 500	Tape and Reel* Qty. Pricing	JST Part No.		
Contacts-Tin Plated						
30 - 24 AWG	455-1127-1-ND	— 1.61 6.45	8,000 9.67M	SPH-002T-P0.5S		
32 - 28 AWG	455-1318-1-ND	— 1.55 6.19	10,000 8.24M	SPH-004T-P0.5S		
Crimp Tools						
30 - 24 AWG	455-1128-ND	319.55 — —	— — —	WC-240		
32 - 28 AWG	455-1236-ND	633.99 — —	— — —	YRS-243		

* For Tape and Reel part number, change 1-ND to 2-ND.

PHD Series 2.0mm Connectors



Features: • This compact design meets the demand for high-density connection • The box contact supplies stable contact performance

Specifications: • Current Rating: 3A AC/DC • Voltage Rating: 250V AC/DC • Temperature Range: -25°C - 85°C • Applicable Wire: 28 - 22 AWG

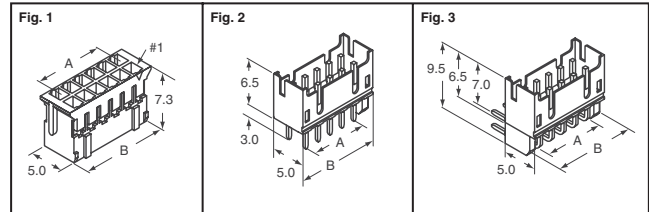


Fig.	Cir-cuits	Dimensions - mm A B	Digi-Key Part No.	Pricing 10 100 500	JST Part No.	
Housing — Color: Natural White						
1	8	6.0 9.9	455-2265-ND	1.65 13.76 55.05	PHDR-08VS	
	10	8.0 11.9	455-1158-ND	1.71 14.30 57.19	PHDR-10VS	
	12	10.0 13.9	455-1204-ND	1.75 14.57 58.27	PHDR-12VS	
	14	12.0 15.9	455-1172-ND	1.77 14.75 58.99	PHDR-14VS	
	16	14.0 17.9	455-1173-ND	1.89 15.78 63.11	PHDR-16VS	
	18	16.0 19.9	455-1905-ND	1.92 15.96 63.83	PHDR-18VS	
	20	18.0 21.9	455-1174-ND	1.94 16.14 64.54	PHDR-20VS	
	22	20.0 23.9	455-1175-ND	3.35 27.97 111.88	PHDR-22VS	
	24	22.0 25.9	455-1177-ND	3.38 28.20 112.78	PHDR-24VS	
	26	24.0 27.9	455-1178-ND	3.42 28.51 114.03	PHDR-26VS	
	28	26.0 29.9	455-1171-ND	3.45 28.74 114.93	PHDR-28VS	
	30	28.0 31.9	455-1180-ND	3.49 29.09 116.36	PHDR-30VS	
	32	30.0 33.9	455-1179-ND	3.52 29.36 117.44	PHDR-32VS	
	34	32.0 35.9	455-1182-ND	3.56 29.63 118.50	PHDR-34VS	
	Headers — Color: Natural Ivory					
	Top Entry (Shrouded)					
2	8	6.0 9.9	455-2230-ND	2.24 18.66 74.64	B8B-PHDSS(LF)(SN)	
	10	8.0 11.9	455-1762-ND	2.42 20.15 80.62	B10B-PHDSS(LF)(SN)	
	12	10.0 13.9	455-1763-ND	2.82 23.54 94.18	B12B-PHDSS(LF)(SN)	
	14	12.0 15.9	455-1764-ND	3.35 27.89 111.56	B14B-PHDSS(LF)(SN)	
	16	14.0 17.9	455-1765-ND	3.62 30.11 120.44	B16B-PHDSS(LF)(SN)	
	18	16.0 19.9	455-1766-ND	3.80 31.66 126.63	B18B-PHDSS(LF)(SN)	
	20	18.0 21.9	455-1767-ND	4.12 34.39 137.55	B20B-PHDSS(LF)(SN)	
	22	20.0 23.9	455-1768-ND	5.26 43.82 175.29	B22B-PHDSS(LF)(SN)	
	24	22.0 25.9	455-1769-ND	5.71 47.55 190.18	B24B-PHDSS(LF)(SN)	
	26	24.0 27.9	455-1770-ND	5.95 49.53 198.14	B26B-PHDSS(LF)(SN)	
	28	26.0 29.9	455-1771-ND	6.22 51.78 207.08	B28B-PHDSS(LF)(SN)	
	30	28.0 31.9	455-1772-ND	6.50 54.12 216.50	B30B-PHDSS(LF)(SN)	
	32	30.0 33.9	455-1773-ND	6.77 56.36 225.44	B32B-PHDSS(LF)(SN)	
	34	32.0 35.9	455-1774-ND	6.98 58.19 232.76	B34B-PHDSS(LF)(SN)	

(Continued)

Free shipping on orders over £50! All prices are in British pound sterling and include duties.