

JST PAD Series 2.0mm Connectors



Features: • Dual row construction allows high density mounting • Housing has a locking device to securely hold the header, preventing accidental disconnection due to external forces resulting from the routing of wires during assembly or due to vibration • Contact has long dimples near the center that ensure continuity of low voltage and low current circuits at all times, even under conditions of vibration and abusive prying • Header has housing insertion guides for easy and secure insertion

Specifications: • Current Rating: 3A AC/DC (AWG #22) • Voltage Rating: 250V AC/DC • Temperature Range: -25°C - 85°C • Applicable Wire: 28 - 22 AWG

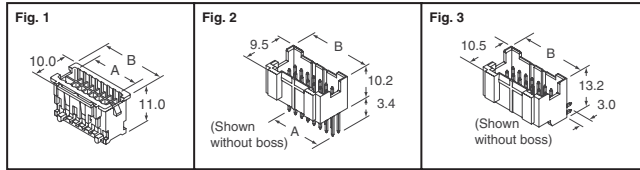


Fig.	Circuits	Dimension - mm		Digi-Key Part No.	10	Pricing 100	500	JST Part No.
Housing								
1	10	8.0	12.0	455-2140-ND	1.58	13.16	52.66	PADP-10V-1-S
	12	10.0	14.0	455-2141-ND	1.60	13.39	53.56	PADP-12V-1-S
	14	12.0	16.0	455-2142-ND	1.65	13.74	54.94	PADP-14V-1-S
	16	14.0	18.0	455-2143-ND	1.73	14.38	57.51	PADP-16V-1-S
	20	18.0	22.0	455-2144-ND	1.76	14.69	58.76	PADP-20V-1-S
	22	20.0	24.0	455-2145-ND	1.79	14.89	59.56	PADP-22V-1-S
24	22.0	26.0	455-2146-ND	1.81	15.09	60.35	PADP-24V-1-S	
Headers								
Top Entry With Boss (Shrouded)								
2	10	8.0	12.0	455-2001-ND	2.96	24.66	98.66	B10B-PADSS-1(LF)(SN)
	12	10.0	14.0	455-2004-ND	3.19	26.60	106.39	B12B-PADSS-1(LF)(SN)
	14	12.0	16.0	455-2007-ND	3.77	31.40	125.60	B14B-PADSS-1(LF)(SN)
	16	14.0	18.0	455-2010-ND	5.29	44.13	176.51	B16B-PADSS-1(LF)(SN)
	20	18.0	22.0	455-2013-ND	5.73	47.76	191.02	B20B-PADSS-1(LF)(SN)
	22	20.0	24.0	455-2016-ND	6.42	53.46	213.81	B22B-PADSS-1(LF)(SN)
24	22.0	26.0	455-2018-ND	7.10	59.18	236.71	B24B-PADSS-1(LF)(SN)	
Top Entry Without Boss (Shrouded)								
2	10	8.0	12.0	455-2000-ND	2.96	24.66	98.66	B10B-PADSS(LF)(SN)
	12	10.0	14.0	455-2003-ND	3.19	26.60	106.39	B12B-PADSS(LF)(SN)
	14	12.0	16.0	455-2006-ND	3.77	31.40	125.60	B14B-PADSS(LF)(SN)
	16	14.0	18.0	455-2009-ND	5.29	44.13	176.51	B16B-PADSS(LF)(SN)
	20	18.0	22.0	455-2012-ND	5.68	47.39	189.57	B20B-PADSS(LF)(SN)
	22	20.0	24.0	455-2015-ND	6.42	53.46	213.81	B22B-PADSS(LF)(SN)
24	22.0	26.0	455-2017-ND	7.10	59.18	236.71	B24B-PADSS(LF)(SN)	
Side Entry (Shrouded)								
3	10	8.0	12.0	455-2032-ND	3.40	28.36	113.46	S10B-PADSS-1(LF)(SN)
	16	14.0	18.0	455-2037-ND	4.44	36.96	147.84	S16B-PADSS-1(LF)(SN)
	20	18.0	22.0	455-2038-ND	5.55	46.22	184.90	S20B-PADSS-1(LF)(SN)

Description	Digi-Key Part No.	Cut Tape Pricing 10	100	500	T&R Pricing* 8,000	JST Part No.
Contacts						
26 - 22 AWG, Tin Plated	455-2147-1-ND	.19	1.55	6.19	9.29/M	SPH-001T-P0.5L
28 - 24 AWG, Tin Plated	455-2148-1-ND	.19	1.55	6.19	9.29/M	SPH-002T-P0.5L
Crimp Tools						
26 - 22 AWG	455-2048-ND	657.90/1		—	—	YRS-245
28 - 24 AWG	455-2047-ND	999.31/1		—	—	YRS-241

* For Tape and Reel part number, change 1-ND to 2-ND.

PND Series 2.0mm Connectors



Features: • Excellent workability • Low insertion force • Rounded edges provide easy insertion, releasing and extraction • Secure locking device prevents accidental disconnection • Mating key prevents incorrect insertion • Headers with polarizing bosses prevent incorrect assembling to PC board

Specifications: • Current Rating: 3A • Voltage Rating: 250V • Temperature Range: -25°C - 85°C • Contact Resistance: Initial value / 10mΩ maximum • Applicable wire: 28AWG - 22AWG

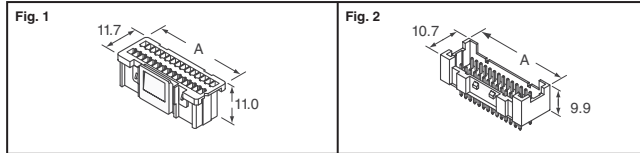


Fig.	No. of Circuits	Dimension A (mm)	Digi-Key Part No.	10	Pricing 100	500	JST Part No.
Housings							
1	8	10.0	455-2305-ND	1.13	9.42	37.66	PNDP-08V-Z
	10	12.0	455-2306-ND	1.15	9.59	38.35	PNDP-10V-Z
	12	14.0	455-2307-ND	1.17	9.76	39.06	PNDP-12V-Z
	14	16.0	455-2308-ND	1.22	10.17	40.69	PNDP-14V-Z
	16	18.0	455-2309-ND	1.29	10.75	42.99	PNDP-16V-Z
	18	20.0	455-2310-ND	1.27	10.58	42.32	PNDP-18V-Z
	20	22.0	455-2311-ND	1.36	11.29	45.14	PNDP-20V-Z
	22	24.0	455-2312-ND	1.31	10.97	43.89	PNDP-22V-Z
	24	26.0	455-2313-ND	1.42	11.78	47.11	PNDP-24V-Z
	26	28.0	455-2314-ND	1.50	12.49	49.98	PNDP-26V-Z
1	30	30.0	455-2315-ND	1.57	13.05	52.19	PNDP-28V-Z
	30	32.0	455-2316-ND	1.62	13.50	54.01	PNDP-30V-Z
	32	34.0	455-2317-ND	1.84	15.35	61.41	PNDP-32V-Z

Fig.	No. of Circuits	Dimension A (mm)	Digi-Key Part No.	10	Pricing 100	500	JST Part No.
1	34	36.0	455-2318-ND	1.89	15.71	62.83	PNDP-34V-Z
	36	38.0	455-2319-ND	1.93	16.10	64.40	PNDP-36V-Z
	38	40.0	455-2320-ND	1.97	16.45	65.81	PNDP-38V-Z
	40	42.0	455-2321-ND	2.12	17.69	70.73	PNDP-40V-Z

Shrouded Headers							
2	8	10.0	455-2322-ND	2.04	17.03	68.11	B08B-PNDZS-1
	10	12.0	455-2323-ND	2.28	19.02	76.08	B10B-PNDZS-1
	12	14.0	455-2324-ND	2.71	22.54	90.15	B12B-PNDZS-1
	14	16.0	455-2325-ND	3.05	25.43	101.72	B14B-PNDZS-1
	16	18.0	455-2326-ND	3.33	27.78	111.09	B16B-PNDZS-1
	18	20.0	455-2327-ND	3.72	31.05	124.20	B18B-PNDZS-1
	20	22.0	455-2328-ND	4.09	34.06	136.23	B20B-PNDZS-1
	22	24.0	455-2329-ND	4.84	40.30	161.19	B22B-PNDZS-1
	24	26.0	455-2330-ND	5.20	43.29	173.16	B24B-PNDZS-1
	26	28.0	455-2331-ND	5.29	44.06	176.25	B26B-PNDZS-1
	28	30.0	455-2332-ND	5.50	45.84	183.36	B28B-PNDZS-1
	30	32.0	455-2333-ND	5.97	49.77	199.08	B30B-PNDZS-1
	32	34.0	455-2334-ND	6.63	55.22	220.86	B32B-PNDZS-1
	34	36.0	455-2335-ND	7.25	60.40	241.60	B34B-PNDZS-1
	36	38.0	455-2336-ND	7.25	60.37	241.48	B36B-PNDZS-1
	38	40.0	455-2337-ND	7.84	65.37	261.47	B38B-PNDZS-1
40	42.0	455-2338-ND	8.76	73.04	292.13	B40B-PNDZS-1	

Retainers (Not UL and CSA approved)							
—	20	—	455-2339-ND	1.05	8.76	35.01	PNDS-20V-Z
	24	—	455-2340-ND	1.07	8.93	35.73	PNDS-24V-Z
	34	—	455-2341-ND	1.17	9.72	38.88	PNDS-34V-Z
	40	—	455-2342-ND	1.55	12.89	51.55	PNDS-40V-Z

Description	Digi-Key Part No.	10	Pricing 100	500	Tape & Reel† Pricing 8,000	JST Part No.
Contacts						
Crimp Terminal, 26 - 22AWG	455-2303-1-ND	.20	1.63	6.53	9.79/M	SPND-001T-C0.5
Crimp Terminal, 28 - 24AWG	455-2304-1-ND	.20	1.63	6.53	9.79/M	SPND-002T-C0.5
Tools						
Crimp Tool for PND Series, 26 - 22AWG	455-2345-ND	364.66/1		—	—	WC-1091
Crimp Tool for PND Series, 28 - 24AWG	455-2346-ND	364.66/1		—	—	WC-1090
Hand Crimp Tool for SPND-001T	455-2343-ND	794.88/1		—	—	YRS-1091
Hand Crimp Tool for SPND-002T	455-2344-ND	749.19/1		—	—	YRS-1090

† For Tape and Reel part number, change 1-ND to 2-ND.

JWPF Series 2.0mm Waterproof Wire-to-Wire Connectors



Features: • Developed specifically for extreme moisture or submersion applications • Seal ring is applied for complete sealing at mating side that is contained in the tab housing which protects from dust, moisture, etc. • Solid rubber seal is used for wire side sealing that makes the size compact. • The inter-housing lock secures the plug to the receptacles and prevents accidental disconnection.

Specifications: • Current Rating: 3A AC/DC • Voltage Rating: 100V AC/DC • Temperature Range: -40°C - 85°C • Applicable Wire: 26 - 22 AWG

Material and Finish: • Tab Contact: Brass, tin-plated • Receptacle Contact: Copper alloy, tin-plated • Housing Color: Natural (white)

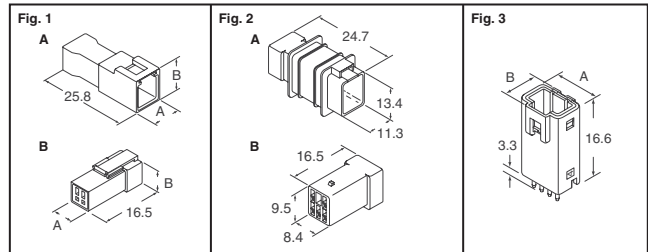


Fig.	Cir-cuits	Dimensions - mm A	B	Digi-Key Part No.	10	Pricing 100	500	JST Part No.
Tab Housing								
1A	2	7.0	8.1	455-1166-ND	8.84	73.67	294.68	02T-JWPF-VSLE-S
	3	9.0	8.1	455-1188-ND	9.82	81.78	327.13	03T-JWPF-VSLE-S
	4	11.0	8.1	455-1170-ND	10.20	84.99	339.94	04T-JWPF-VSLE-S
	8	11.0	12.1	455-1193-ND	13.17	109.75	438.99	08T-JWPF-VSLE-D
2A	5	—	—	455-1190-ND†	19.62	163.44	653.78	05T-JWPF-HHLE-D
Receptacle Housing								
1B	2	6.7	5.5	455-1205-ND	4.24	35.33	141.29	02R-JWPF-VSLE-S
	3	8.7	5.5	455-1198-ND	4.89	40.78	163.10	03R-JWPF-VSLE-S
	4	10.7	5.5	455-1203-ND	4.96	41.32	165.30	04R-JWPF-VSLE-S
	8	10.7	9.5	455-1150-ND	6.66	55.49	221.94	08R-JWPF-VSLE-D
	2B	5	—	—	455-1192-ND†	10.83	90.29	361.13
Headers								
3	2	7.0	8.1	455-1991-ND	11.33	94.41	377.64	B02B-JWPF-SK-R(LF)(SN)
	3	9.0	8.4	455-1992-ND	11.72	97.71	390.86	B03B-JWPF-SK-R(LF)(SN)
	4	11.0	8.4	455-1993-ND	13.89	115.73	462.93	B04B-JWPF-SK-R(LF)(SN)

† Housing Color: Gray

Description	Digi-Key Part No.	10	Pricing 100	500	T&R* Pricing 8,200	JST Part No.
Contacts						
26 - 22 AWG, Tab Contact	455-1320-1-ND	.35	2.89	11.54	17.32/M	SWPT-001T-025
26 - 22 AWG, Receptacle Contact	455-1321-1-ND	.42	3.53	14.11	21.17/M	SWPR-001T-P025
Tools						
Production Crimp Tool	455-1370-ND	773.16/1		—	—	YRS-980
Crimp Tool for 26 - 22 AWG Contacts	455-1371-ND	319.55/1		—	—	WC-JWPF
Extraction Tool	455-2277-ND	132.44/1		—	—	EJ-JWPF

* For Tape and Reel part number, change 1-ND to 2-ND.

Free shipping on orders over £50! All prices are in British pound sterling and include duties.

uk.digikey.com — FREEPHONE: 0-800-587-0991 • 0-800-904-7786 — FREEFAX: 0-800-587-0992 • 0-800-904-7783

JST PH Series 2.0mm Connectors



Features:
 • Contact has long dimples near the center to ensure a good connection at all times • Square post is copper undercoated and tin/lead-plated for superior solderability and for whisker prevention • This connector is also available in a surface mount configuration. Its housing is made of heat resistant resin so that it is not adversely affected during reflow soldering.

Specifications:
 • Current Rating: 2A AC/DC • Voltage Rating: 100V AC/DC • Temperature Range: -25°C - 85°C • Applicable Wire: 32 - 24 AWG • Color: Natural (White)

A

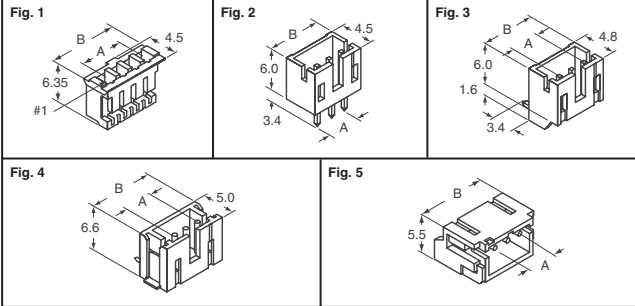


Fig.	Cir- cuts	Dimensions (mm) A B	Digi-Key Part No.	Cut Tape Pricing 10 100 500	T & R* Pricing 1,000	JST Part No.
Receptacle Housing						
1	2	2.0 5.8	455-1165-ND	.33 2.76 11.03	—	PHR-2
	3	4.0 7.8	455-1126-ND	.34 2.82 11.30	—	PHR-3
	4	6.0 9.8	455-1164-ND	.41 3.43 13.72	—	PHR-4
	5	8.0 11.8	455-1163-ND	.43 3.56 14.26	—	PHR-5
	6	10.0 13.8	455-1162-ND	.46 3.90 15.59	—	PHR-6
	7	12.0 15.8	455-1161-ND	.60 4.97 19.90	—	PHR-7
	8	14.0 17.8	455-1189-ND	.62 5.18 20.71	—	PHR-8
	9	16.0 19.8	455-1159-ND	.63 5.25 20.98	—	PHR-9
	10	18.0 21.8	455-1151-ND	.68 5.65 22.59	—	PHR-10
	11	20.0 23.8	455-1157-ND	1.21 10.08 40.34	—	PHR-11
	12	22.0 25.8	455-1156-ND	1.31 10.96 43.84	—	PHR-12
	13	24.0 27.8	455-1155-ND	1.39 11.63 46.53	—	PHR-13
	14	26.0 29.8	455-1154-ND	1.55 12.97 51.90	—	PHR-14
	15	28.0 31.8	455-1153-ND	1.61 13.45 53.79	—	PHR-15
	16	30.0 33.8	455-1152-ND	2.16 17.95 71.81	—	PHR-16

Headers						
Top Entry Thru-hole (Shrouded)						
2	2	2.0 5.9	455-1704-ND	.65 5.44 21.74	—	B2B-PH-K-S(LF)(SN)
	3	4.0 7.9	455-1705-ND	.91 7.64 30.55	—	B3B-PH-K-S(LF)(SN)
	4	6.0 9.9	455-1706-ND	1.14 9.53 38.09	—	B4B-PH-K-S(LF)(SN)
	5	8.0 11.9	455-1707-ND	1.48 12.32 49.27	—	B5B-PH-K-S(LF)(SN)
	6	10.0 13.9	455-1708-ND	1.69 14.09 56.37	—	B6B-PH-K-S(LF)(SN)
	7	12.0 15.9	455-1709-ND	2.00 16.62 66.48	—	B7B-PH-K-S(LF)(SN)
	8	14.0 17.9	455-1710-ND	2.18 18.18 72.72	—	B8B-PH-K-S(LF)(SN)
	9	16.0 19.9	455-1711-ND	2.47 20.55 82.18	—	B9B-PH-K-S(LF)(SN)
	10	18.0 21.9	455-1712-ND	2.69 22.43 89.71	—	B10B-PH-K-S(LF)(SN)
	11	20.0 23.9	455-1713-ND	2.90 24.20 96.82	—	B11B-PH-K-S(LF)(SN)
	12	22.0 25.9	455-1714-ND	3.13 26.09 104.35	—	B12B-PH-K-S(LF)(SN)
	13	24.0 27.9	455-1715-ND	3.46 28.78 115.11	—	B13B-PH-K-S(LF)(SN)
	14	26.0 29.9	455-1716-ND	3.72 31.04 124.15	—	B14B-PH-K-S(LF)(SN)
	15	28.0 31.9	455-1717-ND	3.97 33.08 132.32	—	B15B-PH-K-S(LF)(SN)
	16	30.0 33.9	455-1718-ND	4.51 37.60 150.38	—	B16B-PH-K-S(LF)(SN)

Fig.	Cir- cuts	Dimensions (mm) A B	Digi-Key Part No.	Cut Tape Pricing 10 100 500	T & R* Pricing 1,000	JST Part No.
4	10	18.0 23.95	455-1742-1-ND	7.59 63.26 253.03	420.02	B10B-PH-SM4-TB(LF)(SN)
	11	20.0 25.95	455-1743-1-ND	8.07 67.29 269.15	446.79	B11B-PH-SM4-TB(LF)(SN)
	12	22.0 27.95	455-1744-1-ND	8.44 70.30 281.20	466.80	B12B-PH-SM4-TB(LF)(SN)
	13	24.0 29.95	455-1745-1-ND	8.70 72.56 290.24	481.80	B13B-PH-SM4-TB(LF)(SN)
	14	26.0 31.95	455-1746-1-ND	8.98 74.82 299.28	496.80	B14B-PH-SM4-TB(LF)(SN)
	15	28.0 33.95	455-1747-1-ND	9.25 77.08 308.31	511.79	B15B-PH-SM4-TB(LF)(SN)
16	30.0 35.95	455-1748-1-ND	9.52 79.34 317.35	526.80	B16B-PH-SM4-TB(LF)(SN)	

Side Entry SMT (Shrouded)						
Description	Digi-Key Part No.	Cut Tape Pricing 1 100 500	Tape and Reel* Qty. Pricing	JST Part No.		
Contacts-Tin Plated						
30 - 24 AWG	455-1127-1-ND	— 1.61 6.45	8,000 9.67M	SPH-002T-P0.5S		
32 - 28 AWG	455-1318-1-ND	— 1.55 6.19	10,000 8.24M	SPH-004T-P0.5S		
Crimp Tools						
30 - 24 AWG	455-1128-ND	319.55	—	WC-240		
32 - 28 AWG	455-1236-ND	633.99	—	YRS-243		

* For Tape and Reel part number, change 1-ND to 2-ND.

PHD Series 2.0mm Connectors



Features: • This compact design meets the demand for high-density connection • The box contact supplies stable contact performance

Specifications: • Current Rating: 3A AC/DC • Voltage Rating: 250V AC/DC • Temperature Range: -25°C - 85°C • Applicable Wire: 28 - 22 AWG

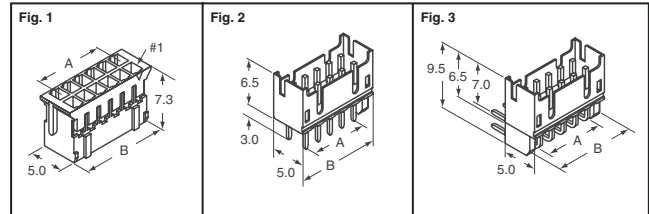


Fig.	Cir- cuts	Dimensions - mm A B	Digi-Key Part No.	Pricing 100 500	JST Part No.	
Housing — Color: Natural White						
1	8	6.0 9.9	455-2265-ND	1.65 13.76 55.05	PHDR-08VS	
	10	8.0 11.9	455-1158-ND	1.71 14.30 57.19	PHDR-10VS	
	12	10.0 13.9	455-1204-ND	1.75 14.57 58.27	PHDR-12VS	
	14	12.0 15.9	455-1172-ND	1.77 14.75 58.99	PHDR-14VS	
	16	14.0 17.9	455-1173-ND	1.89 15.78 63.11	PHDR-16VS	
	18	16.0 19.9	455-1905-ND	1.92 15.96 63.83	PHDR-18VS	
	20	18.0 21.9	455-1174-ND	1.94 16.14 64.54	PHDR-20VS	
	22	20.0 23.9	455-1175-ND	3.35 27.97 111.88	PHDR-22VS	
	24	22.0 25.9	455-1177-ND	3.38 28.20 112.78	PHDR-24VS	
	26	24.0 27.9	455-1178-ND	3.42 28.51 114.03	PHDR-26VS	
	28	26.0 29.9	455-1171-ND	3.45 28.74 114.93	PHDR-28VS	
	30	28.0 31.9	455-1180-ND	3.49 29.09 116.36	PHDR-30VS	
	32	30.0 33.9	455-1179-ND	3.52 29.36 117.44	PHDR-32VS	
	34	32.0 35.9	455-1182-ND	3.56 29.63 118.50	PHDR-34VS	
	Headers — Color: Natural Ivory					
	Top Entry (Shrouded)					
2	8	6.0 9.9	455-2230-ND	2.24 18.66 74.64	B8B-PHDS(LF)(SN)	
	10	8.0 11.9	455-1762-ND	2.42 20.15 80.62	B10B-PHDS(LF)(SN)	
	12	10.0 13.9	455-1763-ND	2.82 23.54 94.18	B12B-PHDS(LF)(SN)	
	14	12.0 15.9	455-1764-ND	3.35 27.89 111.56	B14B-PHDS(LF)(SN)	
	16	14.0 17.9	455-1765-ND	3.62 30.11 120.44	B16B-PHDS(LF)(SN)	
	18	16.0 19.9	455-1766-ND	3.80 31.66 126.63	B18B-PHDS(LF)(SN)	
	20	18.0 21.9	455-1767-ND	4.12 34.39 137.55	B20B-PHDS(LF)(SN)	
	22	20.0 23.9	455-1768-ND	5.26 43.82 175.29	B22B-PHDS(LF)(SN)	
	24	22.0 25.9	455-1769-ND	5.71 47.55 190.18	B24B-PHDS(LF)(SN)	
	26	24.0 27.9	455-1770-ND	5.95 49.53 198.14	B26B-PHDS(LF)(SN)	
	28	26.0 29.9	455-1771-ND	6.22 51.78 207.08	B28B-PHDS(LF)(SN)	
	30	28.0 31.9	455-1772-ND	6.50 54.12 216.50	B30B-PHDS(LF)(SN)	
	32	30.0 33.9	455-1773-ND	6.77 56.36 225.44	B32B-PHDS(LF)(SN)	
	34	32.0 35.9	455-1774-ND	6.98 58.19 232.76	B34B-PHDS(LF)(SN)	

(Continued)

Free shipping on orders over £50! All prices are in British pound sterling and include duties.

JST PHD Series 2.0mm Connectors (Cont.)



Fig.	Cir- cuts	Dimensions - mm A B	Digi-Key Part No.	10	Pricing 100 500	JST Part No.	
Side Entry (Shrouded)							
3	8	6.0 9.9	455-2256-ND	2.22	18.52	74.09	S8B-PHDSS(LF)(SN)(P)
	10	8.0 11.9	455-1775-ND	2.64	21.98	87.90	S10B-PHDSS(LF)(SN)
	12	10.0 13.9	455-1776-ND	3.09	25.74	102.95	S12B-PHDSS(LF)(SN)
	14	12.0 15.9	455-1777-ND	3.65	30.46	121.82	S14B-PHDSS(LF)(SN)
	16	14.0 17.9	455-1778-ND	3.78	31.49	125.96	S16B-PHDSS(LF)(SN)
	18	16.0 19.9	455-1779-ND	4.19	34.88	139.54	S18B-PHDSS(LF)(SN)
	20	18.0 21.9	455-1780-ND	4.56	37.99	151.95	S20B-PHDSS(LF)(SN)
	22	20.0 23.9	455-1781-ND	5.73	47.76	191.02	S22B-PHDSS(LF)(SN)
	24	22.0 25.9	455-1782-ND	6.22	51.85	207.40	S24B-PHDSS(LF)(SN)
	26	24.0 27.9	455-1783-ND	6.51	54.29	217.17	S26B-PHDSS(LF)(SN)
	28	26.0 29.9	455-1784-ND	6.72	56.03	224.12	S28B-PHDSS(LF)(SN)
	30	28.0 31.9	455-1785-ND	7.13	59.39	237.53	S30B-PHDSS(LF)(SN)
	32	30.0 33.9	455-1786-ND	7.43	61.91	247.62	S32B-PHDSS(LF)(SN)
	34	32.0 35.9	455-1787-ND	7.71	64.27	257.05	S34B-PHDSS(LF)(SN)

Description	Digi-Key Part No.	Cut Tape Pricing		Tape & Reel Pricing*	JST Part No.
		100	500		
Contacts-Tin Plated					
26 - 22 AWG	455-1325-1-ND	1.68	6.72	10.09/M	SPHD-001T-P0.5
28 - 24 AWG	455-1313-1-ND	1.68	6.72	10.09/M	SPHD-002T-P0.5
Crimp Tools					
26 - 22 AWG Contacts	455-1238-ND	319.55/1	—	—	WC-610
28 - 24 AWG Contacts	455-1237-ND	633.99/1	—	—	YRS-620

* For Tape and Reel part number, change 1-ND to 2-ND.

EH Series 2.5mm Connectors



Features: • Compact and Slim: This connector is designed to be compact and unusually thin. It measures only 8.1mm (.319") high after mounting and is just 3.8mm (.150") wide. • Highly Reliable Contact: The contact has long dimples near the center that ensure continuity of low voltage and low current circuits at all times, even under conditions of vibration and abusive prying. • Polarizing Guides: The header and housing have guides to prevent improper mating. • Whisker Prevention: The contact material is treated with a reflow process, and the square post is copper-undercoated and tin/lead-plated for whisker prevention. • Easy and Effective Crimping: Although the contact is compact, it has a long wire strip length, 2.6 ± 0.4mm (.102" ± .016"). This long length is very useful for automatic crimping and when crimping shielded wires.

Specifications: • Current Rating: 3A AC/DC (22 AWG) • Voltage Rating: 250V AC/DC • Temperature Range: -25°C - 85°C • Applicable Wire: 32 - 22 AWG

Material and Finish: • Contact: Phosphor bronze, tin-plated • Housing: Nylon 66, UL94V-0, natural (white) • Posts for Headers: Brass, copper-undercoated, tin/lead plated • Wafer: Nylon 66, UL94V-0, natural (white) **Applicable PC Board Thickness:** 0.8 - 1.6mm (.031" - .063")

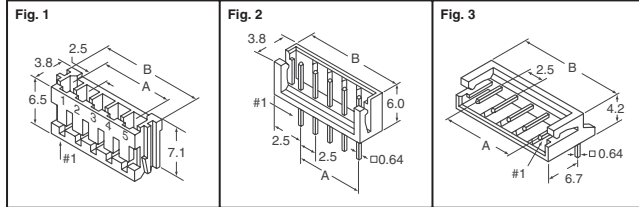


Fig.	Cir- cuts	Dimensions - mm A B	Digi-Key Part No.	10	Pricing 100 500	JST Part No.	
Disconnectable Crimp Style Female Receptacle Housing — RoHS Compliant							
1	2	2.5 7.0	455-1000-ND	.30	2.53	10.11	EHR-2
	3	5.0 9.5	455-1001-ND	.33	2.80	11.19	EHR-3
	4	7.5 12.0	455-1002-ND	.34	2.85	11.41	EHR-4
	5	10.0 14.5	455-1003-ND	.38	3.17	12.69	EHR-5
	6	12.5 17.0	455-1004-ND	.41	3.44	13.76	EHR-6
	7	15.0 19.5	455-1005-ND	.48	3.98	15.91	EHR-7
	8	17.5 22.0	455-1006-ND	.49	4.15	16.57	EHR-8
	9	20.0 24.5	455-1007-ND	.71	5.92	23.67	EHR-9
	10	22.5 27.0	455-1008-ND	.75	6.24	24.96	EHR-10
	11	25.0 29.5	455-1009-ND	.93	7.75	30.99	EHR-11
	12	27.5 32.0	455-1010-ND	1.13	9.36	37.44	EHR-12
	13	30.0 34.5	455-1011-ND	1.19	9.90	39.59	EHR-13
	14	32.5 37.0	455-1012-ND	1.51	12.59	50.35	EHR-14
	15	35.0 39.5	455-1013-ND	1.55	12.97	51.85	EHR-15
	Top Entry Shrouded Board-Mount Headers (Use with EH and HR Series Female Housing - Not TUV approved) — RoHS Compliant						
2	2	2.5 7.5	455-1611-ND	.53	4.39	17.57	B2B-EH-A(LF)(SN)
	3	5.0 10.0	455-1612-ND	.72	5.96	23.84	B3B-EH-A(LF)(SN)
	4	7.5 12.5	455-1613-ND	.94	7.85	31.38	B4B-EH-A(LF)(SN)
	5	10.0 15.0	455-1614-ND	1.13	9.37	37.48	B5B-EH-A(LF)(SN)
	6	12.5 17.5	455-1615-ND	1.35	11.25	45.00	B6B-EH-A(LF)(SN)
	7	15.0 20.0	455-1616-ND	1.53	12.78	51.10	B7B-EH-A(LF)(SN)
	8	17.5 22.5	455-1617-ND	1.74	14.48	57.91	B8B-EH-A(LF)(SN)
	9	20.0 25.0	455-1618-ND	1.93	16.10	64.37	B9B-EH-A(LF)(SN)
	10	22.5 27.5	455-1619-ND	2.25	18.74	74.94	B10B-EH-A(LF)(SN)
	11	25.0 30.0	455-1620-ND	2.48	20.66	82.65	B11B-EH-A(LF)(SN)
	12	27.5 32.5	455-1621-ND	2.58	21.52	86.07	B12B-EH-A(LF)(SN)
	13	30.0 35.0	455-1622-ND	3.06	25.50	102.02	B13B-EH-A(LF)(SN)
	14	32.5 37.5	455-1623-ND	3.31	27.61	110.44	B14B-EH-A(LF)(SN)
	15	35.0 40.0	455-1624-ND	3.50	29.13	116.54	B15B-EH-A(LF)(SN)

Fig.	Cir- cuts	Dimensions - mm A B	Digi-Key Part No.	10	Pricing 100 500	JST Part No.	
Side Entry Shrouded Board-Mount Headers (Use with EH and HR Series Female Housing)							
3	7	15.0 20.0	455-1033-ND	1.64	13.66	54.64	S7B-EH
Side Entry Shrouded Board-Mount Headers (Use with EH and HR Series Female Housing) — RoHS Compliant							
3	2	2.5 7.5	455-1625-ND	.63	5.25	20.98	S2B-EH(LF)(SN)
	3	5.0 10.0	455-1626-ND	.76	6.28	25.11	S3B-EH(LF)(SN)
	4	7.5 12.5	455-1627-ND	.89	7.44	29.76	S4B-EH(LF)(SN)
	5	10.0 15.0	455-1628-ND	1.17	9.73	38.91	S5B-EH(LF)(SN)
	6	12.5 17.5	455-1629-ND	1.45	12.10	48.41	S6B-EH(LF)(SN)
	7	15.0 20.0	455-1630-ND	1.72	14.35	57.37	S7B-EH(LF)(SN)
	8	17.5 22.5	455-1631-ND	2.02	16.81	67.23	S8B-EH(LF)(SN)
	9	20.0 25.0	455-1632-ND	2.15	17.93	71.71	S9B-EH(LF)(SN)
	10	22.5 27.5	455-1633-ND	2.65	22.10	88.39	S10B-EH(LF)(SN)
	11	25.0 30.0	455-1634-ND	2.94	24.47	97.89	S11B-EH(LF)(SN)
	12	27.5 32.5	455-1635-ND	3.11	25.91	103.63	S12B-EH(LF)(SN)
	13	30.0 35.0	455-1636-ND	3.84	31.96	127.85	S13B-EH(LF)(SN)
	14	32.5 37.5	455-1637-ND	4.08	33.98	135.90	S14B-EH(LF)(SN)
	15	35.0 40.0	455-1638-ND	4.39	36.58	146.30	S15B-EH(LF)(SN)

Description	Digi-Key Part No.	Cut Tape Pricing		T&R Pricing*	JST Part No.
		100	500		
Contact — RoHS Compliant					
30 - 22 AWG	455-1042-1-ND	1.48	5.92	8.88/M	SEH-001T-P0.6
Crimp Tool					
30 - 22 AWG Contacts	455-1043-ND	329.71/1	—	—	WC-260

* For Tape and Reel part number, change 1-ND to 2-ND.

XH Series 2.5mm Connectors



The XH connector was developed based on the high reliability and versatility of the NH series connectors. The connector is very small with a mounting height of 9.8mm (.386").

Specifications: • Current Rating: 3A AC/DC (AWG #22) • Voltage Rating: 250V AC/DC • Temperature Range: -25°C - 85°C • Applicable Wire: 30 to 22 AWG • Applicable PC Board Thickness: 1.6mm (.063")

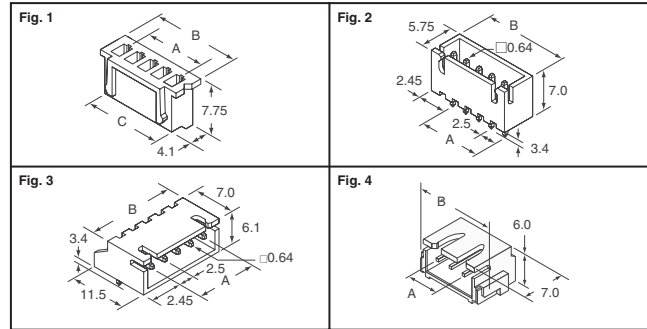


Fig.	Cir- cuts	Dimension - mm A B C	Digi-Key Part No.	10	Pricing 100 500	JST Part No.	
Housing							
1	1	— 3.2 4.8	455-2220-ND	1.42	11.84	47.37	XHP-1
	2	2.5 5.7 7.3	455-2226-ND	.37	3.09	12.37	XHP-2
	3	5.0 8.2 9.8	455-2219-ND	.41	3.43	13.72	XHP-3
	4	7.5 10.7 12.3	455-2267-ND	.41	3.43	13.72	XHP-4
	5	10.0 13.2 14.8	455-2268-ND	.46	3.83	15.33	XHP-5
	6	12.5 15.7 17.3	455-2218-ND	.54	4.51	18.02	XHP-6
	7	15.0 18.2 19.8	455-2269-ND	.57	4.71	18.83	XHP-7
	9	20.0 23.2 24.8	455-2217-ND	.87	7.26	29.05	XHP-9
	10	22.5 25.7 27.3	455-2210-ND	.88	7.33	29.31	XHP-10
	11	25.0 28.2 29.8	455-2216-ND	1.15	9.55	38.19	XHP-11
	12	27.5 30.7 32.3	455-2215-ND	1.21	10.08	40.34	XHP-12
	13	30.0 33.2 34.8	455-2214-ND	1.39	11.57	46.25	XHP-13
	14	32.5 35.7 37.3	455-2213-ND	1.79	14.93	59.71	XHP-14
	15	35.0 38.2 39.8	455-2212-ND	1.83	15.26	61.04	XHP-15
	16	37.5 40.7 42.3	455-2209-ND	3.17	26.43	105.69	XHP-16
	20	47.5 50.7 52.3	455-2211-ND	4.34	36.18	146.69	XHP-20
Headers							
Top Entry (Shrouded)							
2	2	2.5 7.4 —	455-2247-ND	.57	4.71	18.83	B2B-XH-A(LF)(SN)
	3	5.0 9.9 —	455-2248-ND	.73	6.05	24.20	B3B-XH-A(LF)(SN)
	4	7.5 12.4 —	455-2249-ND	.98	8.16	32.63	B4B-XH-A(LF)(SN)
	5	10.0 14.9 —	455-2270-ND	1.19	9.95	39.81	B5B-XH-A(LF)(SN)
	6	12.5 17.4 —	455-2271-ND	1.39	11.61	46.44	B6B-XH-A(LF)(SN)
	7	15.0 19.9 —	455-2252-ND	1.66	13.85	55.40	B7B-XH-A(LF)(SN)
	8	17.5 22.4 —	455-2251-ND	1.84	15.33	61.32	B8B-XH-A(LF)(SN)
	9	20.0 24.9 —	455-2244-ND	2.06	17.17	68.67	B9B-XH-A(LF)(SN)
	10	22.5 27.4 —	455-2253-ND	2.40	19.99	79.97	B10B-XH-A(LF)(SN)
	11	25.0 29.9 —	455-2255-ND	2.53	21.11	84.45	B11B-XH-A(LF)(SN)
	12	27.5 32.4 —	455-2259-ND	2.93	24.39	97.54	B12B-XH-A(LF)(SN)
	13	30.0 34.9 —	455-2260-ND	3.11	25.95	103.82	B13B-XH-A(LF)(SN)
	14	32.5 37.4 —	455-2258-ND	3.37	28.06	112.23	B14B-XH-A(LF)(SN)
	15	35.0 39.9 —	455-2254-ND	3.62	30.22	120.85	B15B-XH-A(LF)(SN)
	16	37.5 42.4 —	455-2241-ND	3.83	31.91	127.65	B16B-XH-A(LF)(SN)
	Top Entry (Shrouded) With Boss						
2	1	— 4.9 —	455-2227-ND	1.26	10.46	41.83	B1B-XH-AM(LF)(SN)
	2	2.5 7.4 —	455-2273-ND	.63	5.25	20.98	B2B-XH-AM(LF)(SN)
	3	5.0 9.9 —	455-2231-ND	.81	6.72	26.89	B3B-XH-AM(LF)(SN)
	4	7.5 12.4 —	455-2237-ND	1.05	8.74	34.96	B4B-XH-AM(LF)(SN)

(Continued)

Free shipping on orders over £50! All prices are in British pound sterling and include duties.

uk.digikey.com — FREEPHONE: 0-800-587-0991 • 0-800-904-7786 — FREEFAX: 0-800-587-0992 • 0-800-904-7783

JST XH Series 2.5mm Connectors (Cont.)



A

Fig.	Circuits	Dimension - mm			Digi-Key Part No.	Pricing			JST Part No.
		A	B	C		10	100	500	
2	5	10.0	14.9	—	455-2239-ND	1.23	10.22	40.87	B5B-XH-AM(LF)(SN)
	6	12.5	17.4	—	455-2238-ND	1.52	12.68	50.74	B6B-XH-AM(LF)(SN)
	7	15.0	19.9	—	455-2235-ND	1.74	14.45	57.80	B7B-XH-AM(LF)(SN)
	8	17.5	22.4	—	455-2234-ND	1.91	15.91	63.64	B8B-XH-AM(LF)(SN)
	10	22.5	27.4	—	455-2234-ND	2.45	20.39	81.55	B10B-XH-AM(LF)(SN)
	12	27.5	32.4	—	455-2233-ND	3.00	25.00	100.00	B12B-XH-AM(LF)(SN)
Side Entry (Shrouded)									
3	2	2.5	7.4	—	455-2257-ND	.82	6.82	27.25	S2B-XH-A(LF)(SN)
	3	5.0	9.9	—	455-2250-ND	1.03	8.56	34.25	S3B-XH-A(LF)(SN)
	4	7.5	12.4	—	455-2243-ND	1.30	10.80	43.20	S4B-XH-A(LF)(SN)
	5	10.0	14.9	—	455-2242-ND	1.55	12.96	51.82	S5B-XH-A(LF)(SN)
	6	12.5	17.4	—	455-2236-ND	1.98	16.54	66.16	S6B-XH-A(LF)(SN)
	7	15.0	19.9	—	455-2240-ND	2.29	19.05	76.20	S7B-XH-A(LF)(SN)
	8	17.5	22.4	—	455-2225-ND	2.44	20.31	81.22	S8B-XH-A(LF)(SN)
	9	20.0	24.9	—	455-2224-ND	2.91	24.25	96.99	S9B-XH-A(LF)(SN)
	10	22.5	27.4	—	455-2228-ND	3.06	25.46	101.84	S10B-XH-A(LF)(SN)
	11	25.0	29.9	—	455-2226-ND	3.65	30.44	121.75	S11B-XH-A(LF)(SN)
	12	27.5	32.4	—	455-2221-ND	3.99	33.26	133.04	S12B-XH-A(LF)(SN)
	13	30.0	34.9	—	455-2223-ND	4.31	35.90	143.61	S13B-XH-A(LF)(SN)
	14	32.5	37.4	—	455-2222-ND	4.39	36.62	146.49	S14B-XH-A(LF)(SN)
	15	35.0	39.9	—	455-2272-ND	5.38	44.82	179.29	S15B-XH-A(LF)(SN)
	16	37.5	42.4	—	455-2229-ND	6.06	50.54	202.13	S16B-XH-A(LF)(SN)

Fig.	Circuits	Dimension - mm		Digi-Key Part No.	Cut Tape Pricing		Tape & Reel* Pricing 500	JST Part No.
		A	B		1	100		
Headers								
SMT Entry (Shrouded)								
4	3	5.0	12.5	455-2263-1-ND	.43	3.98	33.17	S3B-XH-SM4-TB(LF)(SN)
	4	7.5	15.0	455-2262-1-ND	.46	4.29	35.73	S4B-XH-SM4-TB(LF)(SN)
	6	12.5	20.0	455-2264-1-ND	.65	5.97	49.80	S6B-XH-SM4-TB(LF)(SN)

* For Tape and Reel part number, change 1-ND to 2-ND.

Description	Digi-Key Part No.	Cut Tape Pricing		Tape & Reel* Pricing 8,000	JST Part No.
		100	500		
Contacts					
30 - 26 AWG	455-2261-1-ND	2.42	9.69	14.54/M	SXH-002T-P0.6
28 - 22 AWG	455-1135-1-ND	2.35	9.42	14.13/M	SXH-001T-P0.6
Tools					
Crimp Tool for 30 - 26 AWG	455-2245-ND	633.99/1	—	—	YRS-480
Crimp Tool for 28 - 22 AWG	455-1136-ND	319.55/1	—	—	WC-110
Extraction Tool	455-2246-ND	35.49/1	—	—	XJ-06

* For Tape and Reel part number, change 1-ND to 2-ND.

XA Series 2.5mm Connectors



- Features:**
- Locking device to prevent accidental disconnection
 - Header wafer made of glass filled PA66 nylon, effective against solder crack
 - Low insertion force
 - Insertion guide mechanism
- Specifications:**
- Current Rating: 3A AC/DC (AWG 20)
 - Voltage Rating: 250V AC/DC
 - Temperature Range: -25°C - 85°C
 - Applicable Wire: AWG 28 - 20

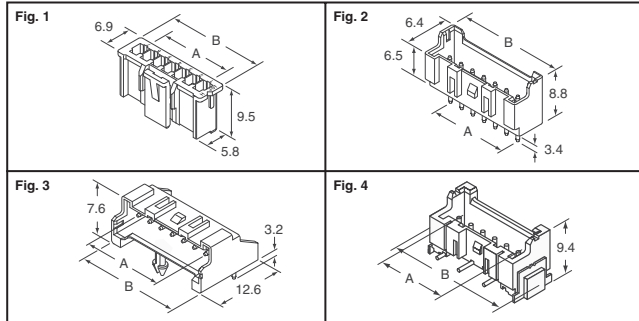


Fig.	Circuits	Dimensions - mm		Digi-Key Part No.	Pricing			JST Part No.
		A	B		10	100	500	
Housing								
1	3	5.0	9.8	455-2149-ND	.48	4.01	16.05	XAP-03V-1
	4	7.5	12.3	455-2150-ND	.60	5.01	20.02	XAP-04V-1
	5	10.0	14.8	455-2151-ND	.61	5.09	20.36	XAP-05V-1
	6	12.5	17.3	455-2152-ND	.78	6.54	26.15	XAP-06V-1
	7	15.0	19.8	455-2153-ND	.81	6.71	26.82	XAP-07V-1
	8	17.5	22.3	455-2154-ND	1.27	10.59	42.38	XAP-08V-1
	9	20.0	24.8	455-2155-ND	1.29	10.72	42.87	XAP-09V-1
	10	22.5	27.3	455-2156-ND	1.45	12.09	48.34	XAP-10V-1
	11	25.0	29.8	455-2157-ND	1.47	12.25	48.99	XAP-11V-1
	12	27.5	32.3	455-2158-ND	1.50	12.46	49.83	XAP-12V-1
	13	30.0	34.8	455-2159-ND	1.52	12.66	50.65	XAP-13V-1
	14	32.5	37.3	455-2160-ND	1.56	13.00	51.98	XAP-14V-1
	15	35.0	39.8	455-2161-ND	1.58	13.16	52.64	XAP-15V-1

Fig.	Circuits	Dimensions - mm		Digi-Key Part No.	Pricing			JST Part No.
		A	B		10	100	500	
Headers								
Top Entry - Through Hole (Shrouded) Without Boss								
2	2	2.5	7.5	455-1989-ND	.91	7.57	30.27	B02B-XASK-1(LF)(SN)
	3	5.0	10.0	455-1990-ND	1.19	9.95	39.81	B03B-XASK-1(LF)(SN)
	4	7.5	12.5	455-1994-ND	1.48	12.37	49.48	B04B-XASK-1(LF)(SN)
	5	10.0	15.0	455-1995-ND	1.88	15.67	62.70	B05B-XASK-1(LF)(SN)
	6	12.5	17.5	455-1996-ND	2.17	18.10	72.38	B06B-XASK-1(LF)(SN)
	8	17.5	22.5	455-1998-ND	2.88	24.02	96.05	B08B-XASK-1(LF)(SN)
9	20.0	25.0	455-1999-ND	3.20	26.70	106.81	B09B-XASK-1(LF)(SN)	
12	27.5	32.5	455-2005-ND	4.46	37.19	148.76	B12B-XASK-1(LF)(SN)	
Side Entry - Through Hole (Shrouded)								
3	2	2.5	7.5	455-2044-ND	2.48	20.60	82.41	SOB2-XASS-1(LF)(SN)

Fig.	Circuits	Dim. - mm		Digi-Key Part No.	Cut Tape Pricing		Tape & Reel* Pricing 500	JST Part No.
		A	B		10	100		
Headers								
SMT Type (Shrouded)								
4	2	2.5	10.0	455-2022-1-ND	4.62	38.53	154.11	BM02B-XASS-TF(LF)(SN)
	3	5.0	12.5	455-2023-1-ND	5.76	48.06	192.24	BM03B-XASS-TF(LF)(SN)
	5	10.0	17.5	455-2024-1-ND	6.66	55.50	221.98	BM05B-XASS-TF(LF)(SN)
	6	12.5	20.0	455-2025-1-ND	7.24	60.35	241.37	BM06B-XASS-TF(LF)(SN)
	7	15.0	22.5	455-2026-1-ND	8.68	72.37	289.50	BM07B-XASS-TF(LF)(SN)
	8	17.5	25.0	455-2027-1-ND	9.02	75.13	300.53	BM08B-XASS-TF(LF)(SN)
	9	20.0	27.5	455-2028-1-ND	9.35	77.93	311.72	BM09B-XASS-TF(LF)(SN)
	13	30.0	37.5	455-2029-1-ND	11.90	99.18	396.70	BM13B-XASS-TF(LF)(SN)

* For Tape and Reel part number, change 1-ND to 2-ND.

Description	Digi-Key Part No.	Cut Tape Pricing		Tape & Reel Pricing* 8,000	JST Part No.
		10	500		
Contacts - Tin Plated					
26 - 22 AWG	455-2050-1-ND	.17	1.36	5.47	8.20/M SXA-001T-P0.6L
24 - 20 AWG	455-2051-1-ND	.17	1.44	5.74	8.62/M SXA-01T-P0.6
Hand Crimp Tools					
26 - 22 AWG	455-2045-ND	319.55/1	—	—	WC-691
24 - 20 AWG	455-2046-ND	369.54/1	—	—	WC-700M
24 - 20 AWG	455-2049-ND	872.46/1	—	—	YRS-692

* For Tape and Reel part number, change 1-ND to 2-ND.

XAD Series 2.5mm Connectors



- Features:**
- Locking device prevents accidental disconnection
 - Solder crack preventive material
 - Mis-insertion preventative design
- Specifications:**
- Current Rating: 3A AC/DC (20 AWG)
 - Voltage Rating: 250V AC/DC
 - Temperature Range: -25°C - 85°C
 - Applicable Wire: 28 - 20 AWG

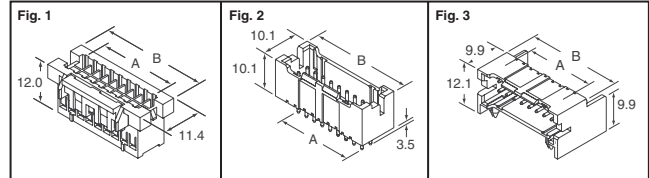


Fig.	Circuits	Dimensions (mm)		Digi-Key Part No.	Pricing			JST Part No.	
		A	B		1	100	100		
Housing									
1	8	7.5	14.7	455-2162-ND	—	1.58	13.16	XADRP-08V	
	10	10.0	17.2	455-2163-ND	—	1.61	13.43	XADRP-10V	
	12	12.5	19.7	455-2164-ND	—	1.64	13.69	XADRP-12V	
	14	15.0	22.2	455-2165-ND	—	1.68	13.98	XADRP-14V	
	16	17.5	24.7	455-2166-ND	—	1.71	14.26	XADRP-16V	
	18	20.0	27.2	455-2167-ND	—	1.74	14.52	XADRP-18V	
	20	22.5	29.7	455-2168-ND	—	1.77	14.78	XADRP-20V	
	22	25.0	32.2	455-2169-ND	—	1.81	15.05	XADRP-22V	
	24	27.5	34.7	455-2170-ND	—	1.84	15.31	XADRP-24V	
	26	30.0	37.2	455-2171-ND	—	1.88	15.67	XADRP-26V	
	28	32.5	39.7	455-2172-ND	—	1.90	15.88	XADRP-28V	
	30	35.0	42.2	455-2174-ND	—	1.95	16.20	XADRP-30V	
	34	40.0	47.2	455-2173-ND	—	2.00	16.66	XADRP-34V	
	40	47.5	54.7	455-2175-ND	—	2.10	17.50	XADRP-40V	
	Headers								
	Top Entry (Shrouded)								
2	8	7.5	15.0	455-1997-ND	—	3.18	26.50	B08B-XADSS-N(LF)(SN)	
	10	10.0	17.5	455-2002-ND	—	3.60	29.98	B10B-XADSS-N(LF)(SN)	
	14	15.0	22.5	455-2008-ND	—	4.20	35.03	B14B-XADSS-N(LF)(SN)	
	18	20.0	27.5	455-2011-ND	—	5.03	41.94	B18B-XADSS-N(LF)(SN)	
	20	22.5	30.0	455-2014-ND	—	5.23	43.65	B20B-XADSS-N(LF)(SN)	
	26	30.0	37.5	455-2019-ND	—	6.74	56.19	B26B-XADSS-N(LF)(SN)	
	36	42.5	50.0	455-2020-ND	—	9.67	80.56	B36B-XADSS-N(LF)(SN)	
	40	47.5	55.0	455-2021-ND	—	11.01	91.80	B40B-XADSS-N(LF)(SN)	
	Side Entry (Shrouded)								
	3	8	7.5	15.0	455-2031-ND	1.07	9.90	82.43	SO8B-XADSS-N(LF)(SN)
12		12.5	20.0	455-2033-ND	1.16	10.70	89.20	S12B-XADSS-N(LF)(SN)	
14		15.0	22.5	455-2034-ND	1.29	11.86	98.77	S14B-XADSS-N(LF)(SN)	
20		22.5	30.0	455-2035-ND	1.63	15.01	125.10	S20B-XADSS-N(LF)(SN)	
24		27.5	35.0	455-2036-ND	2.66	24.57	204.75	S26B-XADSS-N(LF)(SN)	

Free shipping on orders over £50! All prices are in British pound sterling and include duties.
 130 (UK091) uk.digikey.com — FREEPHONE: 0-800-587-0991 • 0-800-904-7786 — FREEFAX: 0-800-587-0992 • 0-800-904-7783

JST VH Series 3.96mm Connectors



Features: • Reliable VH connector can be used in a wide variety of applications • Mounting height of 16.5mm • Lock mechanism prevents the connector from coming loose and prevents mis-insertion
Specifications: • Current Rating: 10A maximum AC/DC • Voltage Rating: 250V AC/DC • Temperature Range: -25°C ~ 85°C • Applicable Wire: 22 ~ 16 AWG • Color: Natural (White)

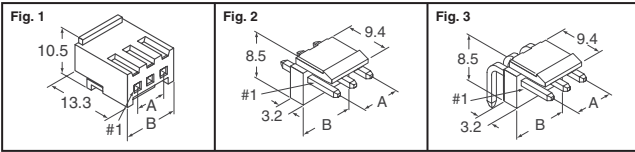


Fig.	Circuits	Dimensions (mm)		Digi-Key Part No.	10	Pricing 100	500	JST Part No.
Housing								
1	2	3.96	7.86	455-1183-ND	.47	3.95	15.78	VHR-2N
	3	7.92	11.82	455-1184-ND	.55	4.57	18.29	VHR-3N
	4	11.88	15.78	455-1185-ND	.70	5.83	23.31	VHR-4N
	5	15.84	19.74	455-1186-ND	.92	7.71	30.84	VHR-5N
	6	19.80	23.70	455-1187-ND	.99	8.29	33.17	VHR-6N
	7	23.76	27.66	455-1181-ND	1.28	10.62	42.49	VHR-7N
	8	27.72	31.62	455-1168-ND	1.32	10.98	43.92	VHR-8N
	9	31.68	35.58	455-1169-ND	1.53	12.78	51.10	VHR-9N
	10	35.64	39.54	455-1167-ND	1.76	14.61	58.44	VHR-10N
	Headers							
Top Entry (locking)								
2	2	3.96	7.86	455-1639-ND	.90	7.53	30.12	B2P-VH(LF)(SN)
	3	7.92	11.82	455-1640-ND	1.15	9.53	38.12	B3P-VH(LF)(SN)
	4	11.88	15.78	455-1641-ND	1.47	12.22	48.87	B4P-VH(LF)(SN)
	5	15.84	19.74	455-1642-ND	1.80	15.02	60.08	B5P-VH(LF)(SN)
	6	19.80	23.70	455-1643-ND	2.05	17.13	68.54	B6P-VH(LF)(SN)
	7	23.76	27.66	455-1644-ND	2.38	19.83	79.29	B7P-VH(LF)(SN)
	8	27.72	31.62	455-1645-ND	2.84	23.67	94.66	B8P-VH(LF)(SN)
	9	31.68	35.58	455-1646-ND	3.15	26.24	104.97	B9P-VH(LF)(SN)
	10	35.64	39.54	455-1647-ND	3.43	28.63	114.49	B10P-VH(LF)(SN)
	Side Entry (locking)							
3	2	3.96	7.86	455-1648-ND	1.07	8.88	35.50	B2PS-VH(LF)(SN)
	3	7.92	11.82	455-1649-ND	1.34	11.14	44.56	B3PS-VH(LF)(SN)
	4	11.88	15.78	455-1650-ND	1.78	14.83	59.32	B4PS-VH(LF)(SN)
	5	15.84	19.74	455-1651-ND	2.19	18.25	73.00	B5PS-VH(LF)(SN)
	6	19.80	23.70	455-1652-ND	2.58	21.55	86.22	B6PS-VH(LF)(SN)
	7	23.76	27.66	455-1653-ND	2.91	24.28	97.12	B7PS-VH(LF)(SN)
	8	27.72	31.62	455-1654-ND	3.47	28.93	115.72	B8PS-VH(LF)(SN)
	9	31.68	35.58	455-1655-ND	3.82	31.81	127.25	B9PS-VH(LF)(SN)
	10	35.64	39.54	455-1656-ND	4.20	35.00	140.00	B10PSVH(LF)(SN)

Description	Digi-Key Part No.	Cut Tape Pricing		Tape and Reel*	JST Part No.
Contacts — Tin Plated					
		10	100	500	
20 - 16 AWG	455-1319-1-ND	.42	3.54	14.13	3,500 23.46/M SVH-41T-P1.1
22 - 18 AWG	455-1133-1-ND	—	3.59	14.35	4,500 23.82/M SVH-21T-P1.1
Crimp Tools					
20 - 16 AWG	455-1911-ND	319.55/1		—	WC-930
22 - 18 AWG	455-1134-ND	319.55/1		—	WC-160

* For Tape and Reel part number, change 1-ND to 2-ND.

VL Series 6.2mm Connectors



Features: • Since the contact retention lances are part of the housing rather than protruding from the contact, they cannot be damaged by handling. They allow the contact to be easily inserted and securely locked into the housing. • Since these contacts have large cross-sectional areas and high contact pressure, they can accommodate circuits requiring high power • Unique space-saving panel lock is designed to prevent tangling with wires or breaking in cold or dry weather **Specifications:** • Current Rating: 20A maximum AC/DC • Voltage Rating: 600V AC/DC • Temperature Range: -25°C ~ 90°C • Contact Resistance: Initial value/7mΩ maximum. After environmental testing/10mΩ maximum • Insulation Resistance: 1,000MΩ minimum • Withstanding Voltage: 2,000V AC/minute

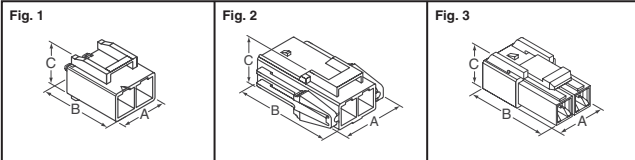


Fig.	Circuits	Dimensions (mm)		Digi-Key Part No.	10	Pricing 100	500	JST Part No.
Vertical Headers								
1	2	13.4	16.4	455-2361-ND	3.84	32.02	128.05	B02P-VL
	3	19.6	16.4	455-2362-ND	6.24	52.02	208.07	B03P-VL
	4	13.4	16.4	455-2363-ND	7.96	66.29	265.16	B04P-VL
	6	19.6	16.4	455-2364-ND	11.24	93.65	374.59	B06P-VL
	8	26.2	16.4	455-2365-ND	11.62	96.78	387.09	B08P-VL
	12	38.6	16.4	455-2366-ND	12.17	101.41	405.67	B12P-VL

Fig.	Circuits	Dimensions (mm)			Digi-Key Part No.	10	Pricing 100	500	JST Part No.
Housing									
Receptacle Housing									
2	2	20.2	29.5	11.2	455-2355-ND	1.63	13.61	54.46	VLR-02V
	3	26.4	29.5	11.2	455-2356-ND	2.29	19.08	76.31	VLR-03V
	4	20.2	29.5	18.0	455-2357-ND	2.76	23.01	92.04	VLR-04V
	6	26.4	29.5	18.0	455-2358-ND	4.01	33.48	133.91	VLR-06V
	8	32.6	29.5	18.0	455-2359-ND	4.63	38.61	154.43	VLR-08V
12	39.6	29.5	18.0	455-2360-ND	8.32	69.35	277.43	VLR-12V	
Plug Housing — Inner-housing Lock									
3	2	13.4	24.0	11.2	455-2374-ND	1.38	11.51	46.01	VLP-02V
	3	19.6	24.0	11.2	455-2350-ND	1.84	15.31	61.25	VLP-03V
	4	13.4	24.0	18.2	455-2351-ND	2.28	18.99	75.98	VLP-04V
	6	19.6	24.0	18.2	455-2352-ND	3.44	28.68	114.71	VLP-06V
	8	25.8	24.0	18.2	455-2353-ND	3.99	33.23	132.92	VLP-08V
	12	38.2	24.0	18.2	455-2354-ND	7.25	60.46	241.83	VLP-12V

Description	Digi-Key Part No.	Cut Tape Pricing			Tape and Reel*	JST Part No.
Contacts — Tin Plated						
		10	100	500	Qty.	Pricing
Socket, 22 - 16 AWG	455-2347-1-ND	.46	3.89	15.56	2,000	25.83/M
Socket, 20 - 14 AWG	455-2376-1-ND	.46	3.89	15.56	2,000	25.83/M
Socket, 12 AWG	455-2377-1-ND	.47	3.93	15.73	2,000	26.11/M
Pin, 22 - 16 AWG	455-2348-1-ND	.51	4.26	17.05	2,000	28.31/M
Pin, 20 - 14 AWG	455-2379-1-ND	.51	4.26	17.05	2,000	28.31/M
Pin, 12 AWG	455-2349-1-ND	.52	4.35	17.38	2,000	28.85/M
Crimp Tools						
22 - 26 AWG	455-2369-ND	353.69/1		—	—	WC-592
20 - 14 AWG	455-2367-ND	328.12/1		—	—	WC-590
12 AWG	455-2368-ND	322.23/1		—	—	WC-591
Extraction Tool	455-2370-ND	80.28/1		—	—	VLJ-20

* For Tape and Reel part number, change 1-ND to 2-ND.

SIN Series Board-In Crimp Terminals



Features: • Compliant board retention feature insures secure mounting before and during soldering • Wires can be machine-secured to terminals • Strain relief minimizes wires
Specifications: • Current Rating: Depends on applicable wires • Temperature Range: -25°C ~ 85°C • Applicable Wire: 30 ~ 12 AWG • Applicable PC Board Thickness: 1.6mm (.063") **Material:** • Tin Plated

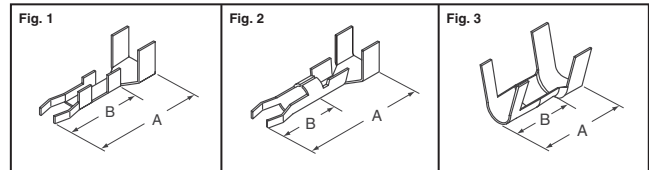


Fig.	Wire AWG#	Dim. (mm) A	B	PCB (mm) Thickness	Hole Dia.	Digi-Key Part No.	10	Pricing 100	500	Tape and Reel*	JST Part No.
1	28 - 26	5.8	3.1	1.6	1.0	455-1452-1-ND	.15	1.24	4.97	9,000	7.45/M
	22 - 18	12.6	3.6	1.6	1.80	455-1453-1-ND	.30	2.56	10.26	3,000	17.03/M
3	22 - 18	7.6	4.1	1.6	1.80	455-1454-1-ND	.23	1.90	7.62	4,500	12.65/M
	18, 16	8.3	4.3	1.6	2.4	455-1455-1-ND	.28	2.28	9.10	3,000	15.12/M
	14	8.3	4.3	1.6	2.5	455-1456-1-ND	.28	2.28	9.10	3,000	15.12/M
	12	9.2	4.5	1.6	3.55	455-1457-1-ND	.35	2.93	11.72	2,000	19.45/M

* For Tape and Reel part number, change 1-ND to 2-ND.

Miscellaneous Crimp Contacts and Crimp Tools

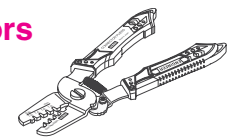


Contact Material	Contact Finish	AWG	Digi-Key Part No.	Cut Tape Pricing		Tape and Reel*	JST Part No.
VH/NV Series Crimp Contacts							
				1	100	500	
Brass	Tin-Plated	22 - 18	455-1132-1-ND	—	3.23	12.92	91.87/4,500 SVH-21T-1.1
SAN Series Crimp Contacts							
Brass	Tin-Plated	30 - 24	455-1142-1-ND	—	1.48	5.92	104.90/14,000 SAN-002T-0.8K
Crimp Tool 30 - 24 AWG SAN Contacts			455-1143-ND	626.45	—	—	YRS-220
Crimp Tools							
Head Adapter KR Series			455-1374-ND	233.45	—	—	IDH-KR-12
Pistol Grip Crimp Tool			455-1372-ND	109.92	—	—	IDB-12

* For Tape and Reel part number, change 1-ND to 2-ND.

AVEN Crimping Tool for Micro Connectors

• Quality general-purpose crimp tool
 • Capable of crimping 1.25 - 2.5mm (AWG 32-20) pitch connector pins



AV4999-ND (10140) 43.52

Free shipping on orders over £50! All prices are in British pound sterling and include duties.

uk.digikey.com — FREEPHONE: 0-800-587-0991 • 0-800-904-7786 — FREEFAX: 0-800-587-0992 • 0-800-904-7783