

JST ZR Series 1.5mm Connectors



Mates with ZH Series Headers

Features:

- Twin U-slot insulation displacement section
- 3-point grip construction
- Distortion resistant construction
- Compatible with the ZH crimp style connector

Specifications:

- Current Rating: 0.7A AC, DC (AWG #28)
- Voltage Rating: 50V AC, DC
- Temp. Range: -25°C ~ 85°C
- Insulation Resistance: 500MΩ minimum
- Withstanding Voltage: 500V AC/minute
- Applicable PC Board Thickness: 0.6 ~ 1.2mm (.024" ~ .047")

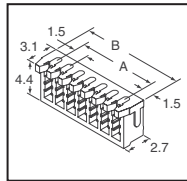


Fig.	Circuits	Dimensions - mm		Digi-Key Part No.	Pricing			JST Part No.
		A	B		10	100	500	
1	6	10.0	14.0	455-1490-ND	.81	6.72	26.88	PAP-06V-S
	7	12.0	16.0	455-1491-ND	.81	6.73	26.92	PAP-07V-S
	8	14.0	18.0	455-1492-ND	.82	6.84	27.34	PAP-08V-S
	9	16.0	20.0	455-1493-ND	.83	6.89	27.54	PAP-09V-S
	10	18.0	22.0	455-1494-ND	.85	7.09	28.36	PAP-10V-S
	11	20.0	24.0	455-1495-ND	.87	7.26	29.03	PAP-11V-S
2	12	22.0	26.0	455-1496-ND	.89	7.42	29.68	PAP-12V-S
	13	24.0	28.0	455-1497-ND	.92	7.64	30.53	PAP-13V-S
	14	26.0	30.0	455-1498-ND	.95	7.92	31.68	PAP-14V-S
	15	28.0	32.0	455-1499-ND	.99	8.17	32.68	PAP-15V-S
	16	30.0	34.0	455-1500-ND	1.02	8.46	33.84	PAP-16V-S

Headers

Top Entry without Boss (Shrouded)								
Fig.	Circuits	Dimensions - mm		Digi-Key Part No.	Pricing			JST Part No.
		A	B		10	100	500	
3	2	2.0	6.0	455-1817-ND	1.16	9.67	38.69	B02B-PASK(LF)(SN)
	3	4.0	8.0	455-1818-ND	1.44	12.02	48.05	B03B-PASK(LF)(SN)
	4	6.0	10.0	455-1819-ND	1.72	14.36	57.43	B04B-PASK(LF)(SN)
	5	8.0	12.0	455-1820-ND	2.12	17.68	70.71	B05B-PASK(LF)(SN)
	6	10.0	14.0	455-1821-ND	2.40	19.94	79.74	B06B-PASK(LF)(SN)
	7	12.0	16.0	455-1822-ND	2.70	22.54	90.14	B07B-PASK(LF)(SN)
2	8	14.0	18.0	455-1823-ND	2.98	24.84	99.34	B08B-PASK(LF)(SN)
	9	16.0	20.0	455-1824-ND	3.25	27.05	108.20	B09B-PASK(LF)(SN)
	10	18.0	22.0	455-1825-ND	4.01	33.44	133.75	B10B-PASK(LF)(SN)
	11	20.0	24.0	455-1826-ND	4.28	35.66	142.61	B11B-PASK(LF)(SN)
	12	22.0	26.0	455-1827-ND	4.54	37.82	151.30	B12B-PASK(LF)(SN)
	13	24.0	28.0	455-1828-ND	4.81	40.05	160.18	B13B-PASK(LF)(SN)
2	14	26.0	30.0	455-1829-ND	5.07	42.30	169.20	B14B-PASK(LF)(SN)
	15	28.0	32.0	455-1830-ND	5.35	44.52	178.06	B15B-PASK(LF)(SN)
	16	30.0	34.0	455-1831-ND	5.71	47.62	190.48	B16B-PASK(LF)(SN)

Top Entry with Boss (Shrouded)

Fig.	Circuits	Dimensions - mm		Digi-Key Part No.	Pricing			JST Part No.
		A	B		10	100	500	
2	2	2.0	6.0	455-1832-ND	1.16	9.67	38.69	B02B-PASK-1(LF)(SN)
	3	4.0	8.0	455-1833-ND	1.44	12.02	48.05	B03B-PASK-1(LF)(SN)
	4	6.0	10.0	455-1834-ND	1.72	14.36	57.43	B04B-PASK-1(LF)(SN)
	5	8.0	12.0	455-1835-ND	2.12	17.68	70.71	B05B-PASK-1(LF)(SN)
	6	10.0	14.0	455-1836-ND	2.40	19.94	79.74	B06B-PASK-1(LF)(SN)
	7	12.0	16.0	455-1837-ND	2.70	22.54	90.14	B07B-PASK-1(LF)(SN)
2	8	14.0	18.0	455-1838-ND	2.98	24.84	99.34	B08B-PASK-1(LF)(SN)
	9	16.0	20.0	455-1839-ND	3.25	27.05	108.20	B09B-PASK-1(LF)(SN)
	10	18.0	22.0	455-1840-ND	4.01	33.44	133.75	B10B-PASK-1(LF)(SN)
	11	20.0	24.0	455-1841-ND	4.28	35.66	142.61	B11B-PASK-1(LF)(SN)
	12	22.0	26.0	455-1842-ND	4.54	37.82	151.30	B12B-PASK-1(LF)(SN)
	13	24.0	28.0	455-1843-ND	4.81	40.05	160.18	B13B-PASK-1(LF)(SN)
2	14	26.0	30.0	455-1844-ND	5.07	42.30	169.20	B14B-PASK-1(LF)(SN)
	15	28.0	32.0	455-1845-ND	5.35	44.52	178.06	B15B-PASK-1(LF)(SN)
	16	30.0	34.0	455-1846-ND	5.71	47.62	190.48	B16B-PASK-1(LF)(SN)

Side Entry (Shrouded)

Fig.	Circuits	Dimensions - mm		Digi-Key Part No.	Pricing			JST Part No.
		A	B		10	100	500	
2	2	2.0	6.0	455-1847-ND	1.54	12.82	51.28	S02B-PASK-2(LF)(SN)
	3	4.0	8.0	455-1848-ND	2.27	18.91	75.65	S03B-PASK-2(LF)(SN)
	4	6.0	10.0	455-1849-ND	2.51	20.92	83.66	S04B-PASK-2(LF)(SN)
	5	8.0	12.0	455-1850-ND	2.81	23.43	93.72	S05B-PASK-2(LF)(SN)
	6	10.0	14.0	455-1851-ND	2.93	24.36	97.45	S06B-PASK-2(LF)(SN)
	7	12.0	16.0	455-1852-ND	3.41	28.46	113.82	S07B-PASK-2(LF)(SN)
3	8	14.0	18.0	455-1853-ND	3.71	30.93	123.70	S08B-PASK-2(LF)(SN)
	9	16.0	20.0	455-1854-ND	4.01	33.46	133.83	S09B-PASK-2(LF)(SN)
	10	18.0	22.0	455-1855-ND	4.33	36.10	144.37	S10B-PASK-2(LF)(SN)
	11	20.0	24.0	455-1856-ND	4.64	38.64	154.51	S11B-PASK-2(LF)(SN)
	12	22.0	26.0	455-1857-ND	4.89	40.76	163.06	S12B-PASK-2(LF)(SN)
	13	24.0	28.0	455-1858-ND	5.15	42.83	171.46	S13B-PASK-2(LF)(SN)
2	14	26.0	30.0	455-1859-ND	5.42	45.15	180.61	S14B-PASK-2(LF)(SN)
	15	28.0	32.0	455-1860-ND	5.67	47.25	188.95	S15B-PASK-2(LF)(SN)
	16	30.0	34.0	455-1861-ND	5.86	48.80	195.18	S16B-PASK-2(LF)(SN)

Description	Digi-Key Part No.	Cut Tape Pricing	T & R Pricing†	JST Part No.
Contacts for PA Series				
26 - 22 AWG, Tin-Plated	455-1325-1-ND	1.68 6.72	10.09/M	SPHD-001T-P0.5
28 - 24 AWG, Tin-Plated	455-1313-1-ND	1.68 6.72	10.09/M	SPHD-002T-P0.5
Crimp Tools for PA Series				
26 - 22 AWG Contact	455-1238-ND	319.55/1	—	WC-610
28 - 24 AWG Contact	455-1237-ND	633.99/1	—	YRS-620

Fig.	Circuits	Dimensions - mm				Digi-Key Part No.	Pricing			JST Part No.		
		A	B	C	D		10	100	500			
PAL SERIES Housing												
Without Panel Locks												
4	2	2.0	9.4	—	—	455-1548-ND	.46	3.89	15.57	PALR-02VF		
	3	4.0	11.4	—	—	455-1549-ND	.50	4.16	16.63	PALR-03VF		
	4	6.0	13.4	—	—	455-1550-ND	.60	4.94	19.78	PALR-04VF		
	5	8.0	15.4	—	—	455-1551-ND	.62	5.14	20.56	PALR-05VF		
	6	10.0	17.4	—	—	455-1552-ND	.65	5.38	21.51	PALR-06VF		
	7	12.0	19.4	—	—	455-1553-ND	.85	7.05	28.18	PALR-07VF		
5	8	14.0	21.4	—	—	455-1554-ND	1.04	8.59	34.32	PALR-08VF		
	With Panel Locks											
	5	2	2.0	9.4	9.8	13.4	4.6	455-1555-ND	.49	4.07	16.27	PALR-02V
		3	4.0	11.4	11.8	15.4	4.6	455-1556-ND	.51	4.24	16.97	PALR-03V
		4	6.0	13.4	13.8	17.4	4.6	455-1557-ND	.61	5.09	20.36	PALR-04V
		6	10.0	17.4	19.8	21.4	5.1	455-1558-ND	.67	5.54	22.15	PALR-06V
7		12.0	19.4	21.8	23.4	5.1	455-1559-ND	.87	7.24	28.94	PALR-07V	
8		14.0	21.4	23.8	25.4	5.1	455-1560-ND	1.06	8.80	35.19	PALR-08V	

Description	Digi-Key Part No.	Cut Tape Pricing	T & R Pricing†	JST Part No.
Contacts - Tin Plated for PAL Series				
22 - 26 AWG	455-1546-1-ND	.18 1.49 5.95	7.92/M	SPAL-001T-P0.5
24 - 26 AWG	455-1547-1-ND	.18 1.49 5.95	7.92/M	SPAL-002T-P0.5
Crimp Tool for PAL Series				
22 - 28 AWG, Contact	455-1906-ND	329.35/1	—	YC-610R

† For Tape and Reel part number, change 1-ND to 2-ND.

PA and PAL Series 2.0mm Connectors

PA Series:

- Standard type
- Highly Reliable Contact: The contact supplies stable performance even under conditions of vibration, distortion, low voltage or low current
- Insertion Guide Mechanism: The Header has housing insertion guides for easy and secure insertion
- Flanged press pin

- Specifications: • Current Rating: 3A AC/DC (AWG 22)
- Voltage Rating: 250V AC/DC
- Temperature Range: -25°C ~ 85°C
- Applicable Wire: 28 - 22 AWG
- Applicable PC Board Thickness: 1.6mm (.063")

PAL Series:

- Features: • The industry's first wire to wire 2.0mm (.078") pitch retaining mountable type.
- Specifications: • Current Rating: 3A AC/DC (22 AWG)
- Voltage Rating: 100V AC/DC
- Temperature Range: -25°C ~ 85°C
- Applicable Wire: 28 - 22 AWG
- Applicable Panel Thickness: 0.5 - 2.0mm (.020" - .079")

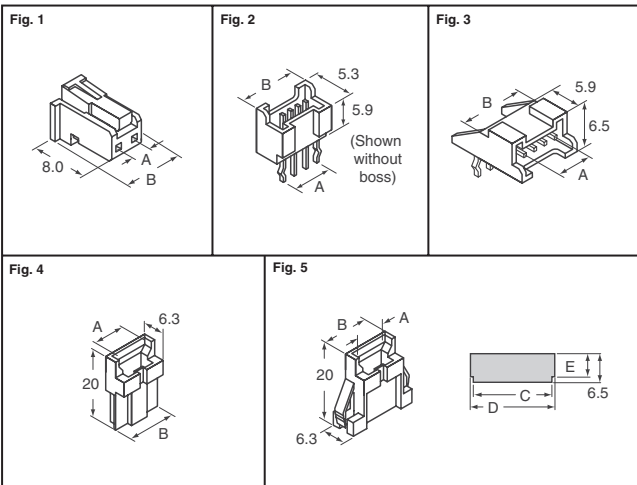


Fig.	Circuits	Dimensions - mm		Digi-Key Part No.	Pricing			JST Part No.
		A	B		10	100	500	
PA SERIES Housing								
1	2	2.0	6.0	455-1486-ND	.60	4.97	19.90	PAP-02V-S
	3	4.0	8.0	455-1487-ND	.62	5.18	20.74	PAP-03V-S
	4	6.0	10.0	455-1488-ND	.64	5.35	21.40	PAP-04V-S
	5	8.0	12.0	455-1489-ND	.79	6.61	26.46	PAP-05V-S

Free shipping on orders over £50! All prices are in British pound sterling and include duties.

JST PAD Series 2.0mm Connectors



Features: • Dual row construction allows high density mounting • Housing has a locking device to securely hold the header, preventing accidental disconnection due to external forces resulting from the routing of wires during assembly or due to vibration • Contact has long dimples near the center that ensure continuity of low voltage and low current circuits at all times, even under conditions of vibration and abusive prying • Header has housing insertion guides for easy and secure insertion

Specifications: • Current Rating: 3A AC/DC (AWG #22) • Voltage Rating: 250V AC/DC • Temperature Range: -25°C ~ 85°C • Applicable Wire: 28 ~ 22 AWG

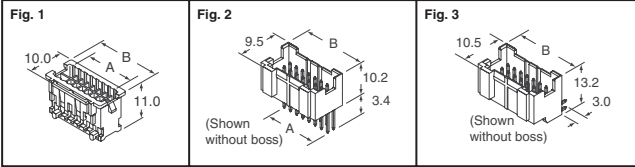


Fig.	Circuits	Dimension - mm		Digi-Key Part No.	10	Pricing 100	500	JST Part No.
Housing								
1	10	8.0	12.0	455-2140-ND	1.58	13.16	52.66	PADP-10V-1-S
	12	10.0	14.0	455-2141-ND	1.60	13.39	53.56	PADP-12V-1-S
	14	12.0	16.0	455-2142-ND	1.65	13.74	54.94	PADP-14V-1-S
	16	14.0	18.0	455-2143-ND	1.73	14.38	57.51	PADP-16V-1-S
	20	18.0	22.0	455-2144-ND	1.76	14.69	58.76	PADP-20V-1-S
	22	20.0	24.0	455-2145-ND	1.79	14.89	59.56	PADP-22V-1-S
24	22.0	26.0	455-2146-ND	1.81	15.09	60.35	PADP-24V-1-S	
Headers								
Top Entry With Boss (Shrouded)								
2	10	8.0	12.0	455-2001-ND	2.96	24.66	98.66	B10B-PADSS-1(LF)(SN)
	12	10.0	14.0	455-2004-ND	3.19	26.60	106.39	B12B-PADSS-1(LF)(SN)
	14	12.0	16.0	455-2007-ND	3.77	31.40	125.60	B14B-PADSS-1(LF)(SN)
	16	14.0	18.0	455-2010-ND	5.29	44.13	176.51	B16B-PADSS-1(LF)(SN)
	20	18.0	22.0	455-2013-ND	5.73	47.76	191.02	B20B-PADSS-1(LF)(SN)
	22	20.0	24.0	455-2016-ND	6.42	53.46	213.81	B22B-PADSS-1(LF)(SN)
24	22.0	26.0	455-2018-ND	7.10	59.18	236.71	B24B-PADSS-1(LF)(SN)	
Top Entry Without Boss (Shrouded)								
2	10	8.0	12.0	455-2000-ND	2.96	24.66	98.66	B10B-PADSS(LF)(SN)
	12	10.0	14.0	455-2003-ND	3.19	26.60	106.39	B12B-PADSS(LF)(SN)
	14	12.0	16.0	455-2006-ND	3.77	31.40	125.60	B14B-PADSS(LF)(SN)
	16	14.0	18.0	455-2009-ND	5.29	44.13	176.51	B16B-PADSS(LF)(SN)
	20	18.0	22.0	455-2012-ND	5.68	47.39	189.57	B20B-PADSS(LF)(SN)
	22	20.0	24.0	455-2015-ND	6.42	53.46	213.81	B22B-PADSS(LF)(SN)
24	22.0	26.0	455-2017-ND	7.10	59.18	236.71	B24B-PADSS(LF)(SN)	
Side Entry (Shrouded)								
3	10	8.0	12.0	455-2032-ND	3.40	28.36	113.46	S10B-PADSS-1(LF)(SN)
	16	14.0	18.0	455-2037-ND	4.44	36.96	147.84	S16B-PADSS-1(LF)(SN)
	20	18.0	22.0	455-2038-ND	5.55	46.22	184.90	S20B-PADSS-1(LF)(SN)

Description	Digi-Key Part No.	Cut Tape Pricing 10	100	500	T&R Pricing* 8,000	JST Part No.
Contacts						
26 ~ 22 AWG, Tin Plated	455-2147-1-ND	.19	1.55	6.19	9.29/M	SPH-001T-P0.5L
28 ~ 24 AWG, Tin Plated	455-2148-1-ND	.19	1.55	6.19	9.29/M	SPH-002T-P0.5L
Crimp Tools						
26 ~ 22 AWG	455-2048-ND	657.90/1		—	—	YRS-245
28 ~ 24 AWG	455-2047-ND	999.31/1		—	—	YRS-241

* For Tape and Reel part number, change 1-ND to 2-ND.

PND Series 2.0mm Connectors



Features: • Excellent workability • Low insertion force • Rounded edges provide easy insertion, releasing and extraction • Secure locking device prevents accidental disconnection • Mating key prevents incorrect insertion • Headers with polarizing bosses prevent incorrect assembling to PC board

Specifications: • Current Rating: 3A • Voltage Rating: 250V • Temperature Range: -25°C ~ 85°C • Contact Resistance: Initial value / 10mΩ maximum • Applicable wire: 28AWG ~ 22AWG

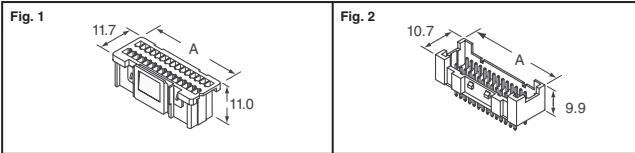


Fig.	No. of Circuits	Dimension A (mm)	Digi-Key Part No.	10	Pricing 100	500	JST Part No.
Housings							
1	8	10.0	455-2305-ND	1.13	9.42	37.66	PNDP-08V-Z
	10	12.0	455-2306-ND	1.15	9.59	38.35	PNDP-10V-Z
	12	14.0	455-2307-ND	1.17	9.76	39.06	PNDP-12V-Z
	14	16.0	455-2308-ND	1.22	10.17	40.69	PNDP-14V-Z
	16	18.0	455-2309-ND	1.29	10.75	42.99	PNDP-16V-Z
	18	20.0	455-2310-ND	1.27	10.58	42.32	PNDP-18V-Z
	20	22.0	455-2311-ND	1.36	11.29	45.14	PNDP-20V-Z
	22	24.0	455-2312-ND	1.31	10.97	43.89	PNDP-22V-Z
	24	26.0	455-2313-ND	1.42	11.78	47.11	PNDP-24V-Z
	26	28.0	455-2314-ND	1.50	12.49	49.98	PNDP-26V-Z
1	30	30.0	455-2315-ND	1.57	13.05	52.19	PNDP-28V-Z
	30	32.0	455-2316-ND	1.62	13.50	54.01	PNDP-30V-Z
	32	34.0	455-2317-ND	1.84	15.35	61.41	PNDP-32V-Z

Fig.	No. of Circuits	Dimension A (mm)	Digi-Key Part No.	10	Pricing 100	500	JST Part No.
1	34	36.0	455-2318-ND	1.89	15.71	62.83	PNDP-34V-Z
	36	38.0	455-2319-ND	1.93	16.10	64.40	PNDP-36V-Z
	38	40.0	455-2320-ND	1.97	16.45	65.81	PNDP-38V-Z
	40	42.0	455-2321-ND	2.12	17.69	70.73	PNDP-40V-Z

Shrouded Headers							
2	8	10.0	455-2322-ND	2.04	17.03	68.11	B08B-PNDZS-1
	10	12.0	455-2323-ND	2.28	19.02	76.08	B10B-PNDZS-1
	12	14.0	455-2324-ND	2.71	22.54	90.15	B12B-PNDZS-1
	14	16.0	455-2325-ND	3.05	25.43	101.72	B14B-PNDZS-1
	16	18.0	455-2326-ND	3.33	27.78	111.09	B16B-PNDZS-1
	18	20.0	455-2327-ND	3.72	31.05	124.20	B18B-PNDZS-1
	20	22.0	455-2328-ND	4.09	34.06	136.23	B20B-PNDZS-1
	22	24.0	455-2329-ND	4.84	40.30	161.19	B22B-PNDZS-1
	24	26.0	455-2330-ND	5.20	43.29	173.16	B24B-PNDZS-1
	26	28.0	455-2331-ND	5.29	44.06	176.25	B26B-PNDZS-1
2	28	30.0	455-2332-ND	5.50	45.84	183.36	B28B-PNDZS-1
	30	32.0	455-2333-ND	5.97	49.77	199.08	B30B-PNDZS-1
	32	34.0	455-2334-ND	6.63	55.22	220.86	B32B-PNDZS-1
	34	36.0	455-2335-ND	7.25	60.40	241.60	B34B-PNDZS-1
	36	38.0	455-2336-ND	7.25	60.37	241.48	B36B-PNDZS-1
	38	40.0	455-2337-ND	7.84	65.37	261.47	B38B-PNDZS-1
	40	42.0	455-2338-ND	8.76	73.04	292.13	B40B-PNDZS-1

Retainers (Not UL and CSA approved)							
—	20	—	455-2339-ND	1.05	8.76	35.01	PNDS-20V-Z
	24	—	455-2340-ND	1.07	8.93	35.73	PNDS-24V-Z
	34	—	455-2341-ND	1.17	9.72	38.88	PNDS-34V-Z
	40	—	455-2342-ND	1.55	12.89	51.55	PNDS-40V-Z

Description	Digi-Key Part No.	10	Pricing 100	500	Tape & Reel† Pricing 8,000	JST Part No.
Contacts						
Crimp Terminal, 26 ~ 22AWG	455-2303-1-ND	.20	1.63	6.53	9.79/M	SPND-001T-C0.5
Crimp Terminal, 28 ~ 24AWG	455-2304-1-ND	.20	1.63	6.53	9.79/M	SPND-002T-C0.5
Tools						
Crimp Tool for PND Series, 26 ~ 22AWG	455-2345-ND	364.66/1		—	—	WC-1091
Crimp Tool for PND Series, 28 ~ 24AWG	455-2346-ND	364.66/1		—	—	WC-1090
Hand Crimp Tool for SPND-001T	455-2343-ND	794.88/1		—	—	YRS-1091
Hand Crimp Tool for SPND-002T	455-2344-ND	749.19/1		—	—	YRS-1090

† For Tape and Reel part number, change 1-ND to 2-ND.

JWPF Series 2.0mm Waterproof Wire-to-Wire Connectors



Features: • Developed specifically for extreme moisture or submersion applications • Seal ring is applied for complete sealing at mating side that is contained in the tab housing which protects from dust, moisture, etc. • Solid rubber seal is used for wire side sealing that makes the size compact. • The inter-housing lock secures the plug to the receptacles and prevents accidental disconnection.

Specifications: • Current Rating: 3A AC/DC • Voltage Rating: 100V AC/DC • Temperature Range: -40°C ~ 85°C • Applicable Wire: 26 ~ 22 AWG

Material and Finish: • Tab Contact: Brass, tin-plated • Receptacle Contact: Copper alloy, tin-plated • Housing Color: Natural (white)

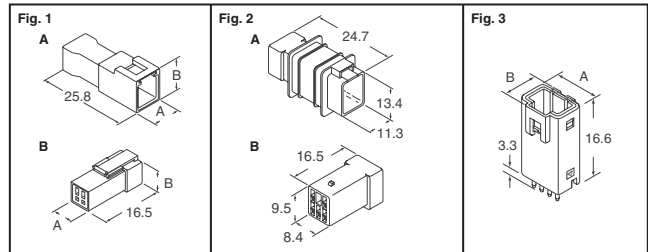


Fig.	Cir-cuits	Dimensions - mm A	B	Digi-Key Part No.	10	Pricing 100	500	JST Part No.
Tab Housing								
1A	2	7.0	8.1	455-1166-ND	8.84	73.67	294.68	O2T-JWPF-VSLE-S
	3	9.0	8.1	455-1188-ND	9.82	81.78	327.13	O3T-JWPF-VSLE-S
	4	11.0	8.1	455-1170-ND	10.20	84.99	339.94	O4T-JWPF-VSLE-S
	8	11.0	12.1	455-1193-ND	13.17	109.75	438.99	O8T-JWPF-VSLE-D
2A	5	—	—	455-1190-ND†	19.62	163.44	653.78	O5T-JWPF-HHLE-D
Receptacle Housing								
1B	2	6.7	5.5	455-1205-ND	4.24	35.33	141.29	O2R-JWPF-VSLE-S
	3	8.7	5.5	455-1198-ND	4.89	40.78	163.10	O3R-JWPF-VSLE-S
	4	10.7	5.5	455-1203-ND	4.96	41.32	165.30	O4R-JWPF-VSLE-S
	8	10.7	9.5	455-1150-ND	6.66	55.49	221.94	O8R-JWPF-VSLE-D
	2B	5	—	—	455-1192-ND†	10.83	90.29	361.13
Headers								
3	2	7.0	8.1	455-1991-ND	11.33	94.41	377.64	B02B-JWPF-SK-R(LF)(SN)
	3	9.0	8.4	455-1992-ND	11.72	97.71	390.86	B03B-JWPF-SK-R(LF)(SN)
	4	11.0	8.4	455-1993-ND	13.89	115.73	462.93	B04B-JWPF-SK-R(LF)(SN)

† Housing Color: Gray

Description	Digi-Key Part No.	10	Pricing 100	500	T&R* Pricing 8,200	JST Part No.
Contacts						
26 ~ 22 AWG, Tab Contact	455-1320-1-ND	.35	2.89	11.54	17.32/M	SWPT-001T-025
26 ~ 22 AWG, Receptacle Contact	455-1321-1-ND	.42	3.53	14.11	21.17/M	SWPR-001T-P025
Tools						
Production Crimp Tool	455-1370-ND	773.16/1		—	—	YRS-980
Crimp Tool for 26 ~ 22 AWG Contacts	455-1371-ND	319.55/1		—	—	WC-JWPF
Extraction Tool	455-2277-ND	132.44/1		—	—	EJ-JWPF

* For Tape and Reel part number, change 1-ND to 2-ND.

Free shipping on orders over £50! All prices are in British pound sterling and include duties.

uk.digikey.com — FREEPHONE: 0-800-587-0991 • 0-800-904-7786 — FREEFAX: 0-800-587-0992 • 0-800-904-7783

JST PH Series 2.0mm Connectors



Features:
 • Contact has long dimples near the center to ensure a good connection at all times • Square post is copper undercoated and tin/lead-plated for superior solderability and for whisker prevention • This connector is also available in a surface mount configuration. Its housing is made of heat resistant resin so that it is not adversely affected during reflow soldering.

Specifications:
 • Current Rating: 2A AC/DC • Voltage Rating: 100V AC/DC • Temperature Range: -25°C - 85°C • Applicable Wire: 32 - 24 AWG • Color: Natural (White)

A

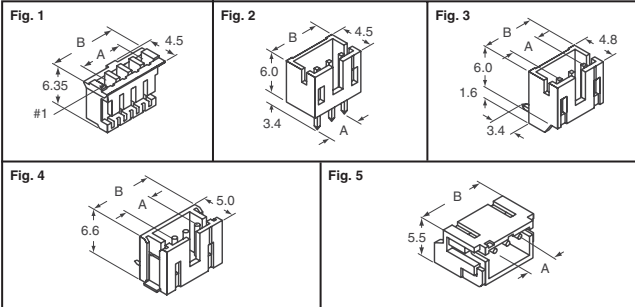


Fig.	Cir- cuts	Dimensions (mm) A B	Digi-Key Part No.	Cut Tape Pricing 10 100 500	T & R* Pricing 1,000	JST Part No.
Receptacle Housing						
1	2	2.0 5.8	455-1165-ND	.33 2.76 11.03	—	PHR-2
	3	4.0 7.8	455-1126-ND	.34 2.82 11.30	—	PHR-3
	4	6.0 9.8	455-1164-ND	.41 3.43 13.72	—	PHR-4
	5	8.0 11.8	455-1163-ND	.43 3.56 14.26	—	PHR-5
	6	10.0 13.8	455-1162-ND	.46 3.90 15.59	—	PHR-6
	7	12.0 15.8	455-1161-ND	.60 4.97 19.90	—	PHR-7
	8	14.0 17.8	455-1189-ND	.62 5.18 20.71	—	PHR-8
	9	16.0 19.8	455-1159-ND	.63 5.25 20.98	—	PHR-9
	10	18.0 21.8	455-1151-ND	.68 5.65 22.59	—	PHR-10
	11	20.0 23.8	455-1157-ND	1.21 10.08 40.34	—	PHR-11
	12	22.0 25.8	455-1156-ND	1.31 10.96 43.84	—	PHR-12
	13	24.0 27.8	455-1155-ND	1.39 11.63 46.53	—	PHR-13
	14	26.0 29.8	455-1154-ND	1.55 12.97 51.90	—	PHR-14
	15	28.0 31.8	455-1153-ND	1.61 13.45 53.79	—	PHR-15
	16	30.0 33.8	455-1152-ND	2.16 17.95 71.81	—	PHR-16

Headers						
Top Entry Thru-hole (Shrouded)						
2	2	2.0 5.9	455-1704-ND	.65 5.44 21.74	—	B2B-PH-K-S(LF)(SN)
	3	4.0 7.9	455-1705-ND	.91 7.64 30.55	—	B3B-PH-K-S(LF)(SN)
	4	6.0 9.9	455-1706-ND	1.14 9.53 38.09	—	B4B-PH-K-S(LF)(SN)
	5	8.0 11.9	455-1707-ND	1.48 12.32 49.27	—	B5B-PH-K-S(LF)(SN)
	6	10.0 13.9	455-1708-ND	1.69 14.09 56.37	—	B6B-PH-K-S(LF)(SN)
	7	12.0 15.9	455-1709-ND	2.00 16.62 66.48	—	B7B-PH-K-S(LF)(SN)
	8	14.0 17.9	455-1710-ND	2.18 18.18 72.72	—	B8B-PH-K-S(LF)(SN)
	9	16.0 19.9	455-1711-ND	2.47 20.55 82.18	—	B9B-PH-K-S(LF)(SN)
	10	18.0 21.9	455-1712-ND	2.69 22.43 89.71	—	B10B-PH-K-S(LF)(SN)
	11	20.0 23.9	455-1713-ND	2.90 24.20 96.82	—	B11B-PH-K-S(LF)(SN)
	12	22.0 25.9	455-1714-ND	3.13 26.09 104.35	—	B12B-PH-K-S(LF)(SN)
	13	24.0 27.9	455-1715-ND	3.46 28.78 115.11	—	B13B-PH-K-S(LF)(SN)
	14	26.0 29.9	455-1716-ND	3.72 31.04 124.15	—	B14B-PH-K-S(LF)(SN)
	15	28.0 31.9	455-1717-ND	3.97 33.08 132.32	—	B15B-PH-K-S(LF)(SN)
	16	30.0 33.9	455-1718-ND	4.51 37.60 150.38	—	B16B-PH-K-S(LF)(SN)
	Side Entry Thru-hole (Shrouded)					
3	2	2.0 5.9	455-1719-ND	.65 5.38 21.51	—	S2B-PH-K-S(LF)(SN)
	3	4.0 7.9	455-1720-ND	.85 7.10 28.39	—	S3B-PH-K-S(LF)(SN)
	4	6.0 9.9	455-1721-ND	1.05 8.72 34.86	—	S4B-PH-K-S(LF)(SN)
	5	8.0 11.9	455-1722-ND	1.29 10.70 42.81	—	S5B-PH-K-S(LF)(SN)
	6	10.0 13.9	455-1723-ND	1.54 12.80 51.20	—	S6B-PH-K-S(LF)(SN)
	7	12.0 15.9	455-1724-ND	1.71 14.25 57.01	—	S7B-PH-K-S(LF)(SN)
	8	14.0 17.9	455-1725-ND	2.00 16.68 66.70	—	S8B-PH-K-S(LF)(SN)
	9	16.0 19.9	455-1726-ND	2.23 18.56 74.23	—	S9B-PH-K-S(LF)(SN)
	10	18.0 21.9	455-1727-ND	2.48 20.65 82.62	—	S10B-PH-K-S(LF)(SN)
	11	20.0 23.9	455-1728-ND	2.68 22.32 89.29	—	S11B-PH-K-S(LF)(SN)
	12	22.0 25.9	455-1729-ND	3.07 25.61 102.42	—	S12B-PH-K-S(LF)(SN)
	13	24.0 27.9	455-1730-ND	3.27 27.24 108.96	—	S13B-PH-K-S(LF)(SN)
	14	26.0 29.9	455-1731-ND	3.43 28.56 114.24	—	S14B-PH-K-S(LF)(SN)
	15	28.0 31.9	455-1732-ND	3.64 30.31 121.23	—	S15B-PH-K-S(LF)(SN)
	16	30.0 33.9	455-1733-ND	4.51 37.54 150.17	—	S16B-PH-K-S(LF)(SN)
	Top Entry SMT (Shrouded)					
4	2	2.0 7.95	455-1734-1-ND	2.98 24.80 99.19	164.66	B2B-PH-SM4-TB(LF)(SN)
	3	4.0 9.95	455-1735-1-ND	3.40 28.35 113.39	188.22	B3B-PH-SM4-TB(LF)(SN)
	4	6.0 11.95	455-1736-1-ND	4.29 35.77 143.07	237.50	B4B-PH-SM4-TB(LF)(SN)
	5	8.0 13.95	455-1737-1-ND	4.63 38.62 154.48	256.43	B5B-PH-SM4-TB(LF)(SN)
	6	10.0 15.95	455-1738-1-ND	5.03 41.90 167.60	278.22	B6B-PH-SM4-TB(LF)(SN)
	7	12.0 17.95	455-1739-1-ND	5.57 46.42 185.67	308.22	B7B-PH-SM4-TB(LF)(SN)
	8	14.0 19.95	455-1740-1-ND	5.95 49.54 198.15	328.94	B8B-PH-SM4-TB(LF)(SN)
	9	16.0 21.95	455-1741-1-ND	6.38 53.19 212.78	353.22	B9B-PH-SM4-TB(LF)(SN)

Fig.	Cir- cuts	Dimensions (mm) A B	Digi-Key Part No.	Cut Tape Pricing 10 100 500	T & R* Pricing 1,000	JST Part No.
4	10	18.0 23.95	455-1742-1-ND	7.59 63.26 253.03	420.02	B10B-PH-SM4-TB(LF)(SN)
	11	20.0 25.95	455-1743-1-ND	8.07 67.29 269.15	446.79	B11B-PH-SM4-TB(LF)(SN)
	12	22.0 27.95	455-1744-1-ND	8.44 70.30 281.20	466.80	B12B-PH-SM4-TB(LF)(SN)
	13	24.0 29.95	455-1745-1-ND	8.70 72.56 290.24	481.80	B13B-PH-SM4-TB(LF)(SN)
	14	26.0 31.95	455-1746-1-ND	8.98 74.82 299.28	496.80	B14B-PH-SM4-TB(LF)(SN)
	15	28.0 33.95	455-1747-1-ND	9.25 77.08 308.31	511.79	B15B-PH-SM4-TB(LF)(SN)
16	30.0 35.95	455-1748-1-ND	9.52 79.34 317.35	526.80	B16B-PH-SM4-TB(LF)(SN)	
Side Entry SMT (Shrouded)						
5	2	2.0 7.9	455-1749-1-ND	3.13 26.09 104.35	173.22	S2B-PH-SM4-TB(LF)(SN)
	3	4.0 9.9	455-1750-1-ND	3.68 30.66 122.64	203.58	S3B-PH-SM4-TB(LF)(SN)
	4	6.0 11.9	455-1751-1-ND	4.25 35.39 141.57	235.01	S4B-PH-SM4-TB(LF)(SN)
	5	8.0 13.9	455-1752-1-ND	4.44 37.00 148.02	245.72	S5B-PH-SM4-TB(LF)(SN)
	6	10.0 15.9	455-1753-1-ND	5.31 44.21 176.85	293.58	S6B-PH-SM4-TB(LF)(SN)
	7	12.0 17.9	455-1754-1-ND	5.37 44.75 179.00	297.14	S7B-PH-SM4-TB(LF)(SN)
	8	14.0 19.9	455-1755-1-ND	5.76 47.98 191.92	318.58	S8B-PH-SM4-TB(LF)(SN)
	9	16.0 21.9	455-1756-1-ND	6.00 54.97 219.88	365.00	S9B-PH-SM4-TB(LF)(SN)
	10	18.0 23.9	455-1757-1-ND	7.61 63.42 253.67	421.09	S10B-PH-SM4-TB(LF)(SN)
	12	22.0 27.9	455-1758-1-ND	8.34 69.49 277.97	461.43	S12B-PH-SM4-TB(LF)(SN)
	13	24.0 29.9	455-1759-1-ND	8.71 72.61 290.45	482.15	S13B-PH-SM4-TB(LF)(SN)
	14	26.0 31.9	455-1760-1-ND	8.93 74.39 297.56	493.95	S14B-PH-SM4-TB(LF)(SN)
	15	28.0 33.9	455-1761-1-ND	9.14 76.16 304.65	505.72	S15B-PH-SM4-TB(LF)(SN)

* For Tape and Reel part number, change 1-ND to 2-ND.

Description	Digi-Key Part No.	Cut Tape Pricing 1 100 500	Tape and Reel* Qty. Pricing	JST Part No.
Contacts-Tin Plated				
30 - 24 AWG	455-1127-1-ND	— 1.61 6.45	8,000 9.67M	SPH-002T-P0.5S
32 - 28 AWG	455-1318-1-ND	— 1.55 6.19	10,000 8.24M	SPH-004T-P0.5S
Crimp Tools				
30 - 24 AWG	455-1128-ND	319.55	—	WC-240
32 - 28 AWG	455-1236-ND	633.99	—	YRS-243

* For Tape and Reel part number, change 1-ND to 2-ND.

PHD Series 2.0mm Connectors



Features: • This compact design meets the demand for high-density connection • The box contact supplies stable contact performance

Specifications: • Current Rating: 3A AC/DC • Voltage Rating: 250V AC/DC • Temperature Range: -25°C - 85°C • Applicable Wire: 28 - 22 AWG

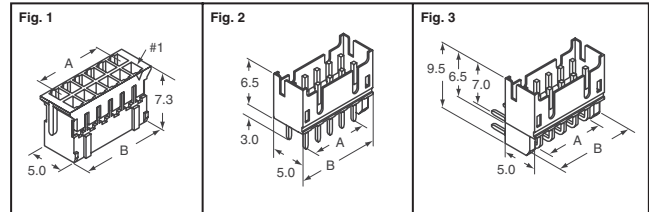


Fig.	Cir- cuts	Dimensions - mm A B	Digi-Key Part No.	Pricing 10 100 500	JST Part No.	
Housing — Color: Natural White						
1	8	6.0 9.9	455-2265-ND	1.65 13.76 55.05	PHDR-08VS	
	10	8.0 11.9	455-1158-ND	1.71 14.30 57.19	PHDR-10VS	
	12	10.0 13.9	455-1204-ND	1.75 14.57 58.27	PHDR-12VS	
	14	12.0 15.9	455-1172-ND	1.77 14.75 58.99	PHDR-14VS	
	16	14.0 17.9	455-1173-ND	1.89 15.78 63.11	PHDR-16VS	
	18	16.0 19.9	455-1905-ND	1.92 15.96 63.83	PHDR-18VS	
	20	18.0 21.9	455-1174-ND	1.94 16.14 64.54	PHDR-20VS	
	22	20.0 23.9	455-1175-ND	3.35 27.97 111.88	PHDR-22VS	
	24	22.0 25.9	455-1177-ND	3.38 28.20 112.78	PHDR-24VS	
	26	24.0 27.9	455-1178-ND	3.42 28.51 114.03	PHDR-26VS	
	28	26.0 29.9	455-1171-ND	3.45 28.74 114.93	PHDR-28VS	
	30	28.0 31.9	455-1180-ND	3.49 29.09 116.36	PHDR-30VS	
	32	30.0 33.9	455-1179-ND	3.52 29.36 117.44	PHDR-32VS	
	34	32.0 35.9	455-1182-ND	3.56 29.63 118.50	PHDR-34VS	
	Headers — Color: Natural Ivory					
	Top Entry (Shrouded)					
2	8	6.0 9.9	455-2230-ND	2.24 18.66 74.64	B8B-PHDSS(LF)(SN)	
	10	8.0 11.9	455-1762-ND	2.42 20.15 80.62	B10B-PHDSS(LF)(SN)	
	12	10.0 13.9	455-1763-ND	2.82 23.54 94.18	B12B-PHDSS(LF)(SN)	
	14	12.0 15.9	455-1764-ND	3.35 27.89 111.56	B14B-PHDSS(LF)(SN)	
	16	14.0 17.9	455-1765-ND	3.62 30.11 120.44	B16B-PHDSS(LF)(SN)	
	18	16.0 19.9	455-1766-ND	3.80 31.66 126.63	B18B-PHDSS(LF)(SN)	
	20	18.0 21.9	455-1767-ND	4.12 34.39 137.55	B20B-PHDSS(LF)(SN)	
	22	20.0 23.9	455-1768-ND	5.26 43.82 175.29	B22B-PHDSS(LF)(SN)	
	24	22.0 25.9	455-1769-ND	5.71 47.55 190.18	B24B-PHDSS(LF)(SN)	
	26	24.0 27.9	455-1770-ND	5.95 49.53 198.14	B26B-PHDSS(LF)(SN)	
	28	26.0 29.9	455-1771-ND	6.22 51.78 207.08	B28B-PHDSS(LF)(SN)	
	30	28.0 31.9	455-1772-ND	6.50 54.12 216.50	B30B-PHDSS(LF)(SN)	
	32	30.0 33.9	455-1773-ND	6.77 56.36 225.44	B32B-PHDSS(LF)(SN)	
	34	32.0 35.9	455-1774-ND	6.98 58.19 232.76	B34B-PHDSS(LF)(SN)	

(Continued)

Free shipping on orders over £50! All prices are in British pound sterling and include duties.

JST PHD Series 2.0mm Connectors (Cont.)



Fig.	Cir- cuts	Dimensions - mm A B	Digi-Key Part No.	10	Pricing 100 500	JST Part No.	
Side Entry (Shrouded)							
3	8	6.0 9.9	455-2256-ND	2.22	18.52	74.09	S8B-PHDSS(LF)(SN)(P)
	10	8.0 11.9	455-1775-ND	2.64	21.98	87.90	S10B-PHDSS(LF)(SN)
	12	10.0 13.9	455-1776-ND	3.09	25.74	102.95	S12B-PHDSS(LF)(SN)
	14	12.0 15.9	455-1777-ND	3.65	30.46	121.82	S14B-PHDSS(LF)(SN)
	16	14.0 17.9	455-1778-ND	3.78	31.49	125.96	S16B-PHDSS(LF)(SN)
	18	16.0 19.9	455-1779-ND	4.19	34.88	139.54	S18B-PHDSS(LF)(SN)
	20	18.0 21.9	455-1780-ND	4.56	37.99	151.95	S20B-PHDSS(LF)(SN)
	22	20.0 23.9	455-1781-ND	5.73	47.76	191.02	S22B-PHDSS(LF)(SN)
	24	22.0 25.9	455-1782-ND	6.22	51.85	207.40	S24B-PHDSS(LF)(SN)
	26	24.0 27.9	455-1783-ND	6.51	54.29	217.17	S26B-PHDSS(LF)(SN)
	28	26.0 29.9	455-1784-ND	6.72	56.03	224.12	S28B-PHDSS(LF)(SN)
	30	28.0 31.9	455-1785-ND	7.13	59.39	237.53	S30B-PHDSS(LF)(SN)
	32	30.0 33.9	455-1786-ND	7.43	61.91	247.62	S32B-PHDSS(LF)(SN)
	34	32.0 35.9	455-1787-ND	7.71	64.27	257.05	S34B-PHDSS(LF)(SN)

Description	Digi-Key Part No.	Cut Tape Pricing		Tape & Reel Pricing*	JST Part No.
		100	500		
Contacts-Tin Plated					
26 - 22 AWG	455-1325-1-ND	1.68	6.72	10.09/M	SPHD-001T-P0.5
28 - 24 AWG	455-1313-1-ND	1.68	6.72	10.09/M	SPHD-002T-P0.5
Crimp Tools					
26 - 22 AWG Contacts	455-1238-ND	319.55/1	—	—	WC-610
28 - 24 AWG Contacts	455-1237-ND	633.99/1	—	—	YRS-620

* For Tape and Reel part number, change 1-ND to 2-ND.

EH Series 2.5mm Connectors



Features: • Compact and Slim: This connector is designed to be compact and unusually thin. It measures only 8.1mm (.319") high after mounting and is just 3.8mm (.150") wide. • Highly Reliable Contact: The contact has long dimples near the center that ensure continuity of low voltage and low current circuits at all times, even under conditions of vibration and abusive prying. • Polarizing Guides: The header and housing have guides to prevent improper mating. • Whisker Prevention: The contact material is treated with a reflow process, and the square post is copper-undercoated and tin/lead-plated for whisker prevention. • Easy and Effective Crimping: Although the contact is compact, it has a long wire strip length, 2.6 ± 0.4mm (.102" ± .016"). This long length is very useful for automatic crimping and when crimping shielded wires.

Specifications: • Current Rating: 3A AC/DC (22 AWG) • Voltage Rating: 250V AC/DC • Temperature Range: -25°C - 85°C • Applicable Wire: 32 - 22 AWG

Material and Finish: • Contact: Phosphor bronze, tin-plated • Housing: Nylon 66, UL94V-0, natural (white) • Posts for Headers: Brass, copper-undercoated, tin/lead plated • Wafer: Nylon 66, UL94V-0, natural (white) **Applicable PC Board Thickness:** 0.8 - 1.6mm (.031" - .063")

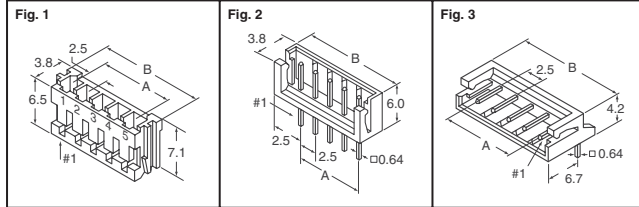


Fig.	Cir- cuts	Dimensions - mm A B	Digi-Key Part No.	10	Pricing 100 500	JST Part No.	
Disconnectable Crimp Style Female Receptacle Housing — RoHS Compliant							
1	2	2.5 7.0	455-1000-ND	.30	2.53	10.11	EHR-2
	3	5.0 9.5	455-1001-ND	.33	2.80	11.19	EHR-3
	4	7.5 12.0	455-1002-ND	.34	2.85	11.41	EHR-4
	5	10.0 14.5	455-1003-ND	.38	3.17	12.69	EHR-5
	6	12.5 17.0	455-1004-ND	.41	3.44	13.76	EHR-6
	7	15.0 19.5	455-1005-ND	.48	3.98	15.91	EHR-7
	8	17.5 22.0	455-1006-ND	.49	4.15	16.57	EHR-8
	9	20.0 24.5	455-1007-ND	.71	5.92	23.67	EHR-9
	10	22.5 27.0	455-1008-ND	.75	6.24	24.96	EHR-10
	11	25.0 29.5	455-1009-ND	.93	7.75	30.99	EHR-11
	12	27.5 32.0	455-1010-ND	1.13	9.36	37.44	EHR-12
	13	30.0 34.5	455-1011-ND	1.19	9.90	39.59	EHR-13
	14	32.5 37.0	455-1012-ND	1.51	12.59	50.35	EHR-14
	15	35.0 39.5	455-1013-ND	1.55	12.97	51.85	EHR-15
	Top Entry Shrouded Board-Mount Headers (Use with EH and HR Series Female Housing - Not TUV approved) — RoHS Compliant						
2	2	2.5 7.5	455-1611-ND	.53	4.39	17.57	B2B-EH-A(LF)(SN)
	3	5.0 10.0	455-1612-ND	.72	5.96	23.84	B3B-EH-A(LF)(SN)
	4	7.5 12.5	455-1613-ND	.94	7.85	31.38	B4B-EH-A(LF)(SN)
	5	10.0 15.0	455-1614-ND	1.13	9.37	37.48	B5B-EH-A(LF)(SN)
	6	12.5 17.5	455-1615-ND	1.35	11.25	45.00	B6B-EH-A(LF)(SN)
	7	15.0 20.0	455-1616-ND	1.53	12.78	51.10	B7B-EH-A(LF)(SN)
	8	17.5 22.5	455-1617-ND	1.74	14.48	57.91	B8B-EH-A(LF)(SN)
	9	20.0 25.0	455-1618-ND	1.93	16.10	64.37	B9B-EH-A(LF)(SN)
	10	22.5 27.5	455-1619-ND	2.25	18.74	74.94	B10B-EH-A(LF)(SN)
	11	25.0 30.0	455-1620-ND	2.48	20.66	82.65	B11B-EH-A(LF)(SN)
	12	27.5 32.5	455-1621-ND	2.58	21.52	86.07	B12B-EH-A(LF)(SN)
	13	30.0 35.0	455-1622-ND	3.06	25.50	102.02	B13B-EH-A(LF)(SN)
	14	32.5 37.5	455-1623-ND	3.31	27.61	110.44	B14B-EH-A(LF)(SN)
	15	35.0 40.0	455-1624-ND	3.50	29.13	116.54	B15B-EH-A(LF)(SN)

Fig.	Cir- cuts	Dimensions - mm A B	Digi-Key Part No.	10	Pricing 100 500	JST Part No.	
Side Entry Shrouded Board-Mount Headers (Use with EH and HR Series Female Housing)							
3	7	15.0 20.0	455-1033-ND	1.64	13.66	54.64	S7B-EH
Side Entry Shrouded Board-Mount Headers (Use with EH and HR Series Female Housing) — RoHS Compliant							
3	2	2.5 7.5	455-1625-ND	.63	5.25	20.98	S2B-EH(LF)(SN)
	3	5.0 10.0	455-1626-ND	.76	6.28	25.11	S3B-EH(LF)(SN)
	4	7.5 12.5	455-1627-ND	.89	7.44	29.76	S4B-EH(LF)(SN)
	5	10.0 15.0	455-1628-ND	1.17	9.73	38.91	S5B-EH(LF)(SN)
	6	12.5 17.5	455-1629-ND	1.45	12.10	48.41	S6B-EH(LF)(SN)
	7	15.0 20.0	455-1630-ND	1.72	14.35	57.37	S7B-EH(LF)(SN)
	8	17.5 22.5	455-1631-ND	2.02	16.81	67.23	S8B-EH(LF)(SN)
	9	20.0 25.0	455-1632-ND	2.15	17.93	71.71	S9B-EH(LF)(SN)
	10	22.5 27.5	455-1633-ND	2.65	22.10	88.39	S10B-EH(LF)(SN)
	11	25.0 30.0	455-1634-ND	2.94	24.47	97.89	S11B-EH(LF)(SN)
	12	27.5 32.5	455-1635-ND	3.11	25.91	103.63	S12B-EH(LF)(SN)
	13	30.0 35.0	455-1636-ND	3.84	31.96	127.85	S13B-EH(LF)(SN)
	14	32.5 37.5	455-1637-ND	4.08	33.98	135.90	S14B-EH(LF)(SN)
	15	35.0 40.0	455-1638-ND	4.39	36.58	146.30	S15B-EH(LF)(SN)

Description	Digi-Key Part No.	Cut Tape Pricing		T&R Pricing*	JST Part No.
		100	500		
Contact — RoHS Compliant					
30 - 22 AWG	455-1042-1-ND	1.48	5.92	8.88/M	SEH-001T-P0.6
Crimp Tool					
30 - 22 AWG Contacts	455-1043-ND	329.71/1	—	—	WC-260

* For Tape and Reel part number, change 1-ND to 2-ND.

XH Series 2.5mm Connectors



The XH connector was developed based on the high reliability and versatility of the NH series connectors. The connector is very small with a mounting height of 9.8mm (.386").

Specifications: • Current Rating: 3A AC/DC (AWG #22) • Voltage Rating: 250V AC/DC • Temperature Range: -25°C - 85°C • Applicable Wire: 30 to 22 AWG • Applicable PC Board Thickness: 1.6mm (.063")

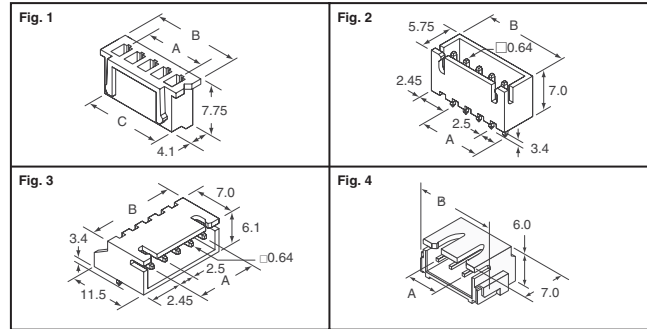


Fig.	Circuits	Dimension - mm A B C	Digi-Key Part No.	10	Pricing 100 500	JST Part No.	
Housing							
1	1	— 3.2 4.8	455-2220-ND	1.42	11.84	47.37	XHP-1
	2	2.5 5.7 7.3	455-2226-ND	.37	3.09	12.37	XHP-2
	3	5.0 8.2 9.8	455-2219-ND	.41	3.43	13.72	XHP-3
	4	7.5 10.7 12.3	455-2267-ND	.41	3.43	13.72	XHP-4
	5	10.0 13.2 14.8	455-2268-ND	.46	3.83	15.33	XHP-5
	6	12.5 15.7 17.3	455-2218-ND	.54	4.51	18.02	XHP-6
	7	15.0 18.2 19.8	455-2269-ND	.57	4.71	18.83	XHP-7
	9	20.0 23.2 24.8	455-2217-ND	.87	7.26	29.05	XHP-9
	10	22.5 25.7 27.3	455-2210-ND	.88	7.33	29.31	XHP-10
	11	25.0 28.2 29.8	455-2216-ND	1.15	9.55	38.19	XHP-11
	12	27.5 30.7 32.3	455-2215-ND	1.21	10.08	40.34	XHP-12
	13	30.0 33.2 34.8	455-2214-ND	1.39	11.57	46.25	XHP-13
	14	32.5 35.7 37.3	455-2213-ND	1.79	14.93	59.71	XHP-14
	15	35.0 38.2 39.8	455-2212-ND	1.83	15.26	61.04	XHP-15
	16	37.5 40.7 42.3	455-2209-ND	3.17	26.43	105.69	XHP-16
	20	47.5 50.7 52.3	455-2211-ND	4.34	36.18	146.69	XHP-20
Headers							
Top Entry (Shrouded)							
2	2	2.5 7.4 —	455-2247-ND	.57	4.71	18.83	B2B-XH-A(LF)(SN)
	3	5.0 9.9 —	455-2248-ND	.73	6.05	24.20	B3B-XH-A(LF)(SN)
	4	7.5 12.4 —	455-2249-ND	.98	8.16	32.63	B4B-XH-A(LF)(SN)
	5	10.0 14.9 —	455-2270-ND	1.19	9.95	39.81	B5B-XH-A(LF)(SN)
	6	12.5 17.4 —	455-2271-ND	1.39	11.61	46.44	B6B-XH-A(LF)(SN)
	7	15.0 19.9 —	455-2252-ND	1.66	13.85	55.40	B7B-XH-A(LF)(SN)
	8	17.5 22.4 —	455-2251-ND	1.84	15.33	61.32	B8B-XH-A(LF)(SN)
	9	20.0 24.9 —	455-2244-ND	2.06	17.17	68.67	B9B-XH-A(LF)(SN)
	10	22.5 27.4 —	455-2253-ND	2.40	19.99	79.97	B10B-XH-A(LF)(SN)
	11	25.0 29.9 —	455-2255-ND	2.53	21.11	84.45	B11B-XH-A(LF)(SN)
	12	27.5 32.4 —	455-2259-ND	2.93	24.39	97.54	B12B-XH-A(LF)(SN)
	13	30.0 34.9 —	455-2260-ND	3.11	25.95	103.82	B13B-XH-A(LF)(SN)
	14	32.5 37.4 —	455-2258-ND	3.37	28.06	112.23	B14B-XH-A(LF)(SN)
	15	35.0 39.9 —	455-2254-ND	3.62	30.22	120.85	B15B-XH-A(LF)(SN)
	16	37.5 42.4 —	455-2241-ND	3.83	31.91	127.65	B16B-XH-A(LF)(SN)
	Top Entry (Shrouded) With Boss						
2	1	— 4.9 —	455-2227-ND	1.26	10.46	41.83	B1B-XH-AM(LF)(SN)
	2	2.5 7.4 —	455-2273-ND	.63	5.25	20.98	B2B-XH-AM(LF)(SN)
	3	5.0 9.9 —	455-2231-ND	.81	6.72	26.89	B3B-XH-AM(LF)(SN)
	4	7.5 12.4 —	455-2237-ND	1.05	8.74	34.96	B4B-XH-AM(LF)(SN)

(Continued)

Free shipping on orders over £50! All prices are in British pound sterling and include duties.

uk.digikey.com — FREEPHONE: 0-800-587-0991 • 0-800-904-7786 — FREEFAX: 0-800-587-0992 • 0-800-904-7783