

JST GHD Series 1.25mm Connectors



This connector is designed to be the double-row type of the GH connector series.
Features: • Secure locking device • Low insertion force • Prevention of contact deformation • Suction area for picking up
Specifications: • Current Rating: 1.0A AC/DC (26 AWG) • Voltage Rating: 50V AC/DC • Temperature Range: -25°C - 85°C • Applicable Wire: Conductor size 30 - 26 AWG

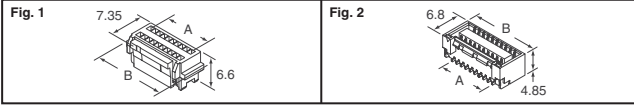


Fig.	Cir. cuts	Dim. - mm		Digi-Key Part No.	Cut Tape Pricing			Tape and Reel Qty.	Reel Part No.	JST Part No.
		A	B		10	100	500			
Housing										
1	20	11.25	15.75	455-1913-ND‡	1.76	14.67	58.65	—	—	GHDR-(20)V-S
Header										
Top Entry										
2	20	11.25	15.75	455-1916-1-ND	8.55	71.22	284.88	1,250	472.91/M	BM(20)B-GHDS-G-T(LF)(SN)
Contacts										
		30 - 26 AWG		455-1914-1-ND	.35	2.90	11.62	20,000	15.45/M	SGHD-002GA-P0.2
		30 - 26 AWG		455-1915-1-ND	2.50	20.81	83.22	1,000	138.15	MINI-SGHD-002GA-P0.2

† For Tape and Reel part number, change 1-ND to 2-ND. ‡ Bulk

ZE Series 1.5mm Connectors



The ZE Series wire-to-board crimp style connector was designed with a secure locking device to ensure connector mating integrity even under adverse conditions. These SMT connectors are polarized and have a positive locking feature when mating to headers as well as an audible click/tactile feedback when mated.
Specifications: • Current Rating: 2.0A (AC/DC) • Voltage Rating: 100V (AC/DC) • Temperature Range: 25°C - 85°C • Housing: UL 94V-0 rated • Contacts: Phosphor bronze, tin plated

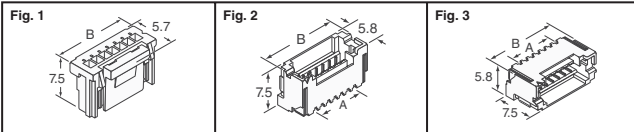


Fig.	Circuits	Dim. B (mm)	Digi-Key Part No.	Pricing			T & R† Qty.	Reel Part No.	JST Part No.		
				1	10	100				500	
Receptacle Housing - Color: Natural - RoHS Compliant											
2	3	5.0	455-2411-ND	—	54	4.49	17.95	—	ZER-02V-S		
3	4	6.3	455-2412-ND	—	55	4.57	18.30	—	ZER-03V-S		
4	4	7.8	455-2413-ND	—	60	4.98	19.91	—	ZER-04V-S		
5	5	9.3	455-2414-ND	—	66	5.52	22.07	—	ZER-05V-S		
6	6	10.8	455-2415-ND	—	79	6.61	26.46	—	ZER-06V-S		
7	7	12.3	455-2416-ND	—	90	7.48	33.92	—	ZER-07V-S		
8	8	13.8	455-2417-ND	—	91	7.61	30.44	—	ZER-08V-S		
9	9	15.3	455-2418-ND	—	94	7.78	31.14	—	ZER-09V-S		
10	10	16.8	455-2419-ND	—	95	7.92	31.67	—	ZER-10V-S		
11	11	18.4	455-2420-ND	—	97	8.05	32.20	—	ZER-11V-S		
12	12	19.8	455-2421-ND	—	110	9.21	36.81	—	ZER-12V-S		
13	13	21.3	455-2422-ND	—	115	9.61	38.45	—	ZER-13V-S		
14	14	22.8	455-2423-ND	—	120	9.96	39.84	—	ZER-14V-S		
15	15	24.3	455-2424-ND	—	127	10.56	42.25	—	ZER-15V-S		
16	16	25.8	455-2425-ND	—	134	11.16	44.63	—	ZER-16V-S		
Receptacle Contacts											
		28 - 24 AWG		455-2410-1-ND‡	.22	1.99	16.58	—	500	66.32	MINI-ZE-002T-PO.3
Crimp Tools											
		Mini Reel ZE Hand Tool		455-2426-ND	—	—	—	—	—	—	WC-ZE2426

Cir. cuts	Dim. - mm	Digi-Key Part No.	Cut Tape Price Each			Tape and Reel Qty.	Reel Part No.	JST Part No.	
			1	10	100				
Vertical SMT									
2	1.5	7.5	455-2380-1-ND	.34	.32	.27	800	166.49	BM02B-ZESS-TBT (LF) (SN)
3	3.0	9.0	455-2381-1-ND	.38	.36	.30	800	188.75	BM03B-ZESS-TBT (LF) (SN)
4	4.5	10.5	455-2382-1-ND	.43	.40	.33	800	211.00	BM04B-ZESS-TBT (LF) (SN)
5	6.0	12.0	455-2383-1-ND	.49	.46	.39	800	232.46	BM05B-ZESS-TBT (LF) (SN)
6	7.5	13.5	455-2384-1-ND	.56	.52	.43	800	273.77	BM06B-ZESS-TBT (LF) (SN)
7	9.0	15.0	455-2385-1-ND	.60	.56	.47	800	297.08	BM07B-ZESS-TBT (LF) (SN)
8	10.5	16.5	455-2386-1-ND	.65	.60	.50	800	319.61	BM08B-ZESS-TBT (LF) (SN)
9	12.0	18.0	455-2387-1-ND	.69	.64	.54	800	339.73	BM09B-ZESS-TBT (LF) (SN)
10	13.5	19.5	455-2388-1-ND	.74	.69	.57	800	363.57	BM10B-ZESS-TBT (LF) (SN)
11	15.0	21.0	455-2389-1-ND	.78	.73	.61	800	384.51	BM11B-ZESS-TBT (LF) (SN)
12	16.5	22.5	455-2390-1-ND	.83	.78	.65	800	411.05	BM12B-ZESS-TBT (LF) (SN)
13	18.0	24.0	455-2391-1-ND	.88	.82	.68	800	433.55	BM13B-ZESS-TBT (LF) (SN)
14	19.5	25.5	455-2392-1-ND	.93	.86	.72	800	455.81	BM14B-ZESS-TBT (LF) (SN)
15	21.0	27.0	455-2393-1-ND	.99	.92	.77	800	490.72	BM15B-ZESS-TBT (LF) (SN)
16	22.5	28.5	455-2394-1-ND	1.05	.97	.81	800	513.86	BM16B-ZESS-TBT (LF) (SN)
Right Angle SMT									
2	1.5	7.5	455-2395-1-ND	.32	.30	.25	1,000	162.50	SM02B-ZESS-TB (LF) (SN)
3	3.0	9.0	455-2396-1-ND	.34	.32	.27	1,000	173.58	SM03B-ZESS-TB (LF) (SN)
4	4.5	10.5	455-2397-1-ND	.38	.36	.30	1,000	197.52	SM04B-ZESS-TB (LF) (SN)
5	6.0	12.0	455-2398-1-ND	.44	.40	.34	1,000	221.13	SM05B-ZESS-TB (LF) (SN)
6	7.5	13.5	455-2399-1-ND	.49	.45	.38	1,000	248.97	SM06B-ZESS-TB (LF) (SN)
7	9.0	15.0	455-2400-1-ND	.52	.49	.41	1,000	268.44	SM07B-ZESS-TB (LF) (SN)
8	10.5	16.5	455-2401-1-ND	.56	.52	.44	1,000	287.36	SM08B-ZESS-TB (LF) (SN)
9	12.0	18.0	455-2402-1-ND	.60	.56	.47	1,000	305.73	SM09B-ZESS-TB (LF) (SN)
10	13.5	19.5	455-2403-1-ND	.63	.59	.49	1,000	324.38	SM10B-ZESS-TB (LF) (SN)
11	15.0	21.0	455-2404-1-ND	.68	.63	.53	1,000	347.47	SM11B-ZESS-TB (LF) (SN)
12	16.5	22.5	455-2405-1-ND	.72	.67	.56	1,000	365.55	SM12B-ZESS-TB (LF) (SN)
13	18.0	24.0	455-2406-1-ND	.76	.70	.58	1,000	384.46	SM13B-ZESS-TB (LF) (SN)
14	19.5	25.5	455-2407-1-ND	.79	.73	.61	1,000	403.09	SM14B-ZESS-TB (LF) (SN)
15	21.0	27.0	455-2408-1-ND	.83	.77	.64	1,000	421.71	SM15B-ZESS-TB (LF) (SN)
16	22.5	28.5	455-2409-1-ND	.86	.80	.67	1,000	440.65	SM16B-ZESS-TB (LF) (SN)

† For Tape and Reel part number, change 1-ND to 2-ND. ‡ Cut Tape

ZH Series 1.5mm Connectors



Features: • This connector requires only about 45% of the installation space required by the standard JST 2.0mm connector • Contact retention lances allow visual confirmation of contact lock-in • The dimple at the center of the contact ensures positive contact and low contact resistance at all times, even when the connector is subjected to vibration or distortion.
Specifications: • Current Rating: 1.0A AC/DC • Voltage Rating: 50V AC/DC • Temperature Range: -25°C - 85°C • Applicable Wire: 30 - 32 AWG

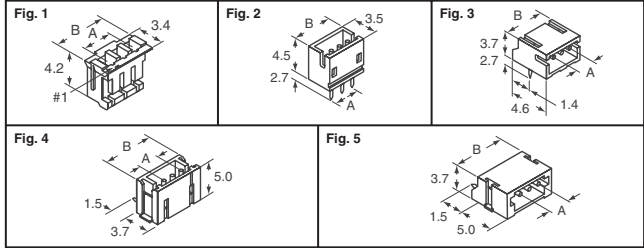


Fig.	Circuits	Dimensions - mm		Digi-Key Part No.	Pricing			JST Part No.
		A	B		10	100	500	
Housing - Color: Natural White								
Top Entry Thru-hole (Shrouded)								
2	3	1.5	4.5	455-1366-ND	.28	2.37	9.50	ZHR-2
3	4	3.0	6.0	455-1160-ND	.30	2.47	9.87	ZHR-3
4	4	4.5	7.5	455-1202-ND	.36	3.00	11.99	ZHR-4
5	5	6.0	9.0	455-1201-ND	.38	3.14	12.55	ZHR-5
6	6	7.5	10.5	455-1129-ND	.61	5.07	20.26	ZHR-6
7	7	9.0	12.0	455-1200-ND	.72	6.00	23.99	ZHR-7
8	8	10.5	13.5	455-1199-ND	.76	6.32	25.25	ZHR-8
9	9	12.0	15.0	455-1196-ND	.83	6.90	27.62	ZHR-9
10	10	13.5	16.5	455-1197-ND	.84	6.99	27.97	ZHR-10
11	11	15.0	18.0	455-1191-ND	1.17	9.73	38.91	ZHR-11
12	12	16.5	19.5	455-1195-ND	1.18	9.84	39.39	ZHR-12
13	13	18.0	21.0	455-1194-ND	1.21	10.04	40.16	ZHR-13
Headers - Color: Natural Ivory								
Top Entry Thru-hole (Shrouded)								
2	3	1.5	4.5	455-1657-ND	.65	5.42	21.69	B2B-ZR(LF)(SN)
3	4	3.0	6.0	455-1658-ND	.84	7.04	28.15	B3B-ZR(LF)(SN)
4	4	4.5	7.5	455-1659-ND	1.02	8.47	33.89	B4B-ZR(LF)(SN)
5	5	6.0	9.0	455-1660-ND	1.21	10.04	40.16	B5B-ZR(LF)(SN)
6	6	7.5	10.5	455-1661-ND	1.42	11.79	47.15	B6B-ZR(LF)(SN)
7	7	9.0	12.0	455-1662-ND	1.76	14.66	58.63	B7B-ZR(LF)(SN)
8	8	10.5	13.5	455-1663-ND	1.88	15.69	62.76	B8B-ZR(LF)(SN)
9	9	12.0	15.0	455-1664-ND	2.18	18.16	72.61	B9B-ZR(LF)(SN)
10	10	13.5	16.5	455-1665-ND	2.32	19.36	77.46	B10B-ZR(LF)(SN)
11	11	15.0	18.0	455-1666-ND	3.01	25.11	100.41	B11B-ZR(LF)(SN)
12	12	16.5	19.5	455-1667-ND	3.19	26.58	106.32	B12B-ZR(LF)(SN)
13	13	18.0	21.0	455-1668-ND	3.23	26.91	107.66	B13B-ZR(LF)(SN)
Side Entry Thru-hole (Shrouded)								
2	3	1.5	4.5	455-1669-ND	.71	5.92	23.67	S2B-ZR(LF)(SN)
3	4	3.0	6.0	455-1670-ND	.92	7.71	30.84	S3B-ZR(LF)(SN)
4	4	4.5	7.5	455-1671-ND	1.15	9.55	38.19	S4B-ZR(LF)(SN)
5	5	6.0	9.0	455-1672-ND	1.37	11.43	45.72	S5B-ZR(LF)(SN)
6	6	7.5	10.5	455-1673-ND	1.66	13.81	55.22	S6B-ZR(LF)(SN)
7	7	9.0	12.0	455-1674-ND	2.00	16.68	66.70	S7B-ZR(LF)(SN)
8	8	10.5	13.5	455-1675-ND	2.17	18.11	72.44	S8B-ZR(LF)(SN)
9	9	12.0	15.0	455-1676-ND	2.44	20.31	81.22	S9B-ZR(LF)(SN)
10	10	13.5	16.5	455-1677-ND	2.69	22.37	89.47	S10B-ZR(LF)(SN)
11	11	15.0	18.0	455-1678-ND	2.94	24.52	98.08	S11B-ZR(LF)(SN)
12	12	16.5	19.5	455-1679-ND	3.17	26.45	105.79	S12B-ZR(LF)(SN)
13	13	18.0	21.0	455-1680-ND	3.41	28.42	113.68	S13B-ZR(LF)(SN)

Fig.	Cir. cuts	Dim. - mm		Digi-Key Part No.	Cut Tape Pricing			Tape and Reel Qty.	Reel Part No.	JST Part No.
		A	B		10	100	500			
Headers										
Top Entry SMT (Shrouded)										
2	3	1.5	6.0	455-1681-1-ND	3.17	26.36	105.43	1,000	175.02	B2B-ZR-SM4-TF(LF)(SN)
3	4	3.0	7.5	4						

JST ZR Series 1.5mm Connectors



Mates with ZH Series Headers

Features:

- Twin U-slot insulation displacement section
- 3-point grip construction
- Distortion resistant construction
- Compatible with the ZH crimp style connector

Specifications:

- Current Rating: 0.7A AC, DC (AWG #28)
- Voltage Rating: 50V AC, DC
- Temp. Range: -25°C ~ 85°C
- Insulation Resistance: 500MΩ minimum
- Withstanding Voltage: 500V AC/minute
- Applicable PC Board Thickness: 0.6 ~ 1.2mm (.024" ~ .047")

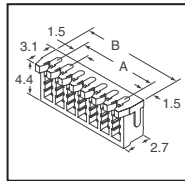


Fig.	Circuits	Dimensions - mm		Digi-Key Part No.	Pricing			JST Part No.
		A	B		10	100	500	
1	6	10.0	14.0	455-1490-ND	.81	6.72	26.88	PAP-06V-S
	7	12.0	16.0	455-1491-ND	.81	6.73	26.92	PAP-07V-S
	8	14.0	18.0	455-1492-ND	.82	6.84	27.34	PAP-08V-S
	9	16.0	20.0	455-1493-ND	.83	6.89	27.54	PAP-09V-S
	10	18.0	22.0	455-1494-ND	.85	7.09	28.36	PAP-10V-S
	11	20.0	24.0	455-1495-ND	.87	7.26	29.03	PAP-11V-S
2	12	22.0	26.0	455-1496-ND	.89	7.42	29.68	PAP-12V-S
	13	24.0	28.0	455-1497-ND	.92	7.64	30.53	PAP-13V-S
	14	26.0	30.0	455-1498-ND	.95	7.92	31.68	PAP-14V-S
	15	28.0	32.0	455-1499-ND	.99	8.17	32.68	PAP-15V-S
	16	30.0	34.0	455-1500-ND	1.02	8.46	33.84	PAP-16V-S

Headers

Top Entry without Boss (Shrouded)								
Fig.	Circuits	Dimensions - mm		Digi-Key Part No.	Pricing			JST Part No.
		A	B		10	100	500	
3	2	2.0	6.0	455-1817-ND	1.16	9.67	38.69	B02B-PASK(LF)(SN)
	3	4.0	8.0	455-1818-ND	1.44	12.02	48.05	B03B-PASK(LF)(SN)
	4	6.0	10.0	455-1819-ND	1.72	14.36	57.43	B04B-PASK(LF)(SN)
	5	8.0	12.0	455-1820-ND	2.12	17.68	70.71	B05B-PASK(LF)(SN)
	6	10.0	14.0	455-1821-ND	2.40	19.94	79.74	B06B-PASK(LF)(SN)
	7	12.0	16.0	455-1822-ND	2.70	22.54	90.14	B07B-PASK(LF)(SN)
2	8	14.0	18.0	455-1823-ND	2.98	24.84	99.34	B08B-PASK(LF)(SN)
	9	16.0	20.0	455-1824-ND	3.25	27.05	108.20	B09B-PASK(LF)(SN)
	10	18.0	22.0	455-1825-ND	4.01	33.44	133.75	B10B-PASK(LF)(SN)
	11	20.0	24.0	455-1826-ND	4.28	35.66	142.61	B11B-PASK(LF)(SN)
	12	22.0	26.0	455-1827-ND	4.54	37.82	151.30	B12B-PASK(LF)(SN)
	13	24.0	28.0	455-1828-ND	4.81	40.05	160.18	B13B-PASK(LF)(SN)
2	14	26.0	30.0	455-1829-ND	5.07	42.30	169.20	B14B-PASK(LF)(SN)
	15	28.0	32.0	455-1830-ND	5.35	44.52	178.06	B15B-PASK(LF)(SN)
	16	30.0	34.0	455-1831-ND	5.71	47.62	190.48	B16B-PASK(LF)(SN)

Top Entry with Boss (Shrouded)

Fig.	Circuits	Dimensions - mm		Digi-Key Part No.	Pricing			JST Part No.
		A	B		10	100	500	
2	2	2.0	6.0	455-1832-ND	1.16	9.67	38.69	B02B-PASK-1(LF)(SN)
	3	4.0	8.0	455-1833-ND	1.44	12.02	48.05	B03B-PASK-1(LF)(SN)
	4	6.0	10.0	455-1834-ND	1.72	14.36	57.43	B04B-PASK-1(LF)(SN)
	5	8.0	12.0	455-1835-ND	2.12	17.68	70.71	B05B-PASK-1(LF)(SN)
	6	10.0	14.0	455-1836-ND	2.40	19.94	79.74	B06B-PASK-1(LF)(SN)
	7	12.0	16.0	455-1837-ND	2.70	22.54	90.14	B07B-PASK-1(LF)(SN)
2	8	14.0	18.0	455-1838-ND	2.98	24.84	99.34	B08B-PASK-1(LF)(SN)
	9	16.0	20.0	455-1839-ND	3.25	27.05	108.20	B09B-PASK-1(LF)(SN)
	10	18.0	22.0	455-1840-ND	4.01	33.44	133.75	B10B-PASK-1(LF)(SN)
	11	20.0	24.0	455-1841-ND	4.28	35.66	142.61	B11B-PASK-1(LF)(SN)
	12	22.0	26.0	455-1842-ND	4.54	37.82	151.30	B12B-PASK-1(LF)(SN)
	13	24.0	28.0	455-1843-ND	4.81	40.05	160.18	B13B-PASK-1(LF)(SN)
2	14	26.0	30.0	455-1844-ND	5.07	42.30	169.20	B14B-PASK-1(LF)(SN)
	15	28.0	32.0	455-1845-ND	5.35	44.52	178.06	B15B-PASK-1(LF)(SN)
	16	30.0	34.0	455-1846-ND	5.71	47.62	190.48	B16B-PASK-1(LF)(SN)

Side Entry (Shrouded)

Fig.	Circuits	Dimensions - mm		Digi-Key Part No.	Pricing			JST Part No.
		A	B		10	100	500	
2	2	2.0	6.0	455-1847-ND	1.54	12.82	51.28	S02B-PASK-2(LF)(SN)
	3	4.0	8.0	455-1848-ND	2.27	18.91	75.65	S03B-PASK-2(LF)(SN)
	4	6.0	10.0	455-1849-ND	2.51	20.92	83.66	S04B-PASK-2(LF)(SN)
	5	8.0	12.0	455-1850-ND	2.81	23.43	93.72	S05B-PASK-2(LF)(SN)
	6	10.0	14.0	455-1851-ND	2.93	24.36	97.45	S06B-PASK-2(LF)(SN)
	7	12.0	16.0	455-1852-ND	3.41	28.46	113.82	S07B-PASK-2(LF)(SN)
3	8	14.0	18.0	455-1853-ND	3.71	30.93	123.70	S08B-PASK-2(LF)(SN)
	9	16.0	20.0	455-1854-ND	4.01	33.46	133.83	S09B-PASK-2(LF)(SN)
	10	18.0	22.0	455-1855-ND	4.33	36.10	144.37	S10B-PASK-2(LF)(SN)
	11	20.0	24.0	455-1856-ND	4.64	38.64	154.51	S11B-PASK-2(LF)(SN)
	12	22.0	26.0	455-1857-ND	4.89	40.76	163.06	S12B-PASK-2(LF)(SN)
	13	24.0	28.0	455-1858-ND	5.15	42.83	171.46	S13B-PASK-2(LF)(SN)
2	14	26.0	30.0	455-1859-ND	5.42	45.15	180.61	S14B-PASK-2(LF)(SN)
	15	28.0	32.0	455-1860-ND	5.67	47.25	188.95	S15B-PASK-2(LF)(SN)
	16	30.0	34.0	455-1861-ND	5.86	48.80	195.18	S16B-PASK-2(LF)(SN)

Description	Digi-Key Part No.	Cut Tape Pricing	T & R Pricing†	JST Part No.
Contacts for PA Series				
26 ~ 22 AWG, Tin-Plated	455-1325-1-ND	1.68 6.72	10.09/M	SPHD-001T-P0.5
28 ~ 24 AWG, Tin-Plated	455-1313-1-ND	1.68 6.72	10.09/M	SPHD-002T-P0.5
Crimp Tools for PA Series				
26 ~ 22 AWG Contact	455-1238-ND	319.55/1	—	WC-610
28 ~ 24 AWG Contact	455-1237-ND	633.99/1	—	YRS-620

Fig.	Circuits	Dimensions - mm				Digi-Key Part No.	Pricing			JST Part No.	
		A	B	C	D		10	100	500		
PAL SERIES Housing											
Without Panel Locks											
4	2	2.0	9.4	—	—	455-1548-ND	.46	3.89	15.57	PALR-02VF	
	3	4.0	11.4	—	—	455-1549-ND	.50	4.16	16.63	PALR-03VF	
	4	6.0	13.4	—	—	455-1550-ND	.60	4.94	19.78	PALR-04VF	
	5	8.0	15.4	—	—	455-1551-ND	.62	5.14	20.56	PALR-05VF	
	6	10.0	17.4	—	—	455-1552-ND	.65	5.38	21.51	PALR-06VF	
	7	12.0	19.4	—	—	455-1553-ND	.85	7.05	28.18	PALR-07VF	
8	14.0	21.4	—	—	455-1554-ND	1.04	8.59	34.32	PALR-08VF		
With Panel Locks											
5	2	2.0	9.4	9.8	13.4	4.6	455-1555-ND	.49	4.07	16.27	PALR-02V
	3	4.0	11.4	11.8	15.4	4.6	455-1556-ND	.51	4.24	16.97	PALR-03V
	4	6.0	13.4	13.8	17.4	4.6	455-1557-ND	.61	5.09	20.36	PALR-04V
	6	10.0	17.4	19.8	21.4	5.1	455-1558-ND	.67	5.54	22.15	PALR-06V
	7	12.0	19.4	21.8	23.4	5.1	455-1559-ND	.87	7.24	28.94	PALR-07V
	8	14.0	21.4	23.8	25.4	5.1	455-1560-ND	1.06	8.80	35.19	PALR-08V

Description	Digi-Key Part No.	Cut Tape Pricing	T & R Pricing†	JST Part No.
Contacts - Tin Plated for PAL Series				
22 ~ 26 AWG	455-1546-1-ND	.18 1.49 5.95	7.92/M	SPAL-001T-P0.5
24 ~ 26 AWG	455-1547-1-ND	.18 1.49 5.95	7.92/M	SPAL-002T-P0.5
Crimp Tool for PAL Series				
22 ~ 28 AWG, Contact	455-1906-ND	329.35/1	—	YC-610R

† For Tape and Reel part number, change 1-ND to 2-ND.

PA and PAL Series 2.0mm Connectors



PA Series:

Features:

- Standard type
- Highly Reliable Contact: The contact supplies stable performance even under conditions of vibration, distortion, low voltage or low current
- Insertion Guide Mechanism: The Header has housing insertion guides for easy and secure insertion
- Flanged press pin

- Specifications: • Current Rating: 3A AC/DC (AWG 22)
- Voltage Rating: 250V AC/DC
- Temperature Range: -25°C ~ 85°C
- Applicable Wire: 28 ~ 22 AWG
- Applicable PC Board Thickness: 1.6mm (.063")

PAL Series:

Features:

- The industry's first wire to wire 2.0mm (.078") pitch retaining mountable type.
- Specifications: • Current Rating: 3A AC/DC (22 AWG)
- Voltage Rating: 100V AC/DC
- Temperature Range: -25°C ~ 85°C
- Applicable Wire: 28 ~ 22 AWG
- Applicable Panel Thickness: 0.5 ~ 2.0mm (.020" ~ .079")

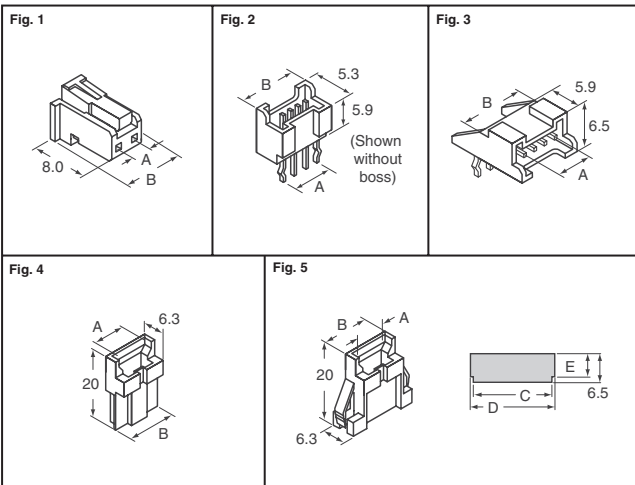


Fig.	Circuits	Dimensions - mm		Digi-Key Part No.	Pricing			JST Part No.
		A	B		10	100	500	
PA SERIES Housing								
1	2	2.0	6.0	455-1486-ND	.60	4.97	19.90	PAP-02V-S
	3	4.0	8.0	455-1487-ND	.62	5.18	20.74	PAP-03V-S
	4	6.0	10.0	455-1488-ND	.64	5.35	21.40	PAP-04V-S
	5	8.0	12.0	455-1489-ND	.79	6.61	26.46	PAP-05V-S

Free shipping on orders over £50! All prices are in British pound sterling and include duties.