

# JST SH and SR Series 1.0mm Connectors (Cont.)



Fig.	Cir- cuts	Dim. - mm A B	Digi-Key Part No.	Cut Tape Pricing			Tape and Reel†		JST Part No.	
				10	100	500	Qty.	Pricing		
5	15	14.0 17.0	455-1815-1-ND	8.05	67.12	268.47	3,000	445.67/M	SM15B-SRSS-TB(LF)(SN)	
			455-1816-1-ND	10.04	83.66	334.64	3,000	555.51/M	SM20B-SRSS-TB(LF)(SN)	
<b>Contacts - Tin Plated</b>										
				3.36/100					SSH-003T-P0.2	
32 - 28 AWG				455-1561-1-ND				23,000	17.89/M	SSH-003T-P0.2
32 - 28 AWG				455-1912-1-ND	1.52	12.73	50.89	1,000	84.48	MINI-SSH-003T-P0.2
<b>Crimp Tool</b>										
32 - 28 AWG				455-1376-ND	737.79/1			—		WC-SH2832

† For Tape and Reel part number, change 1-ND to 2-ND.

# SHD Series 1.0mm Connectors



**Features:** • Ultra compact double row design • Low Profile with a mounting height of 6.3mm (.248") for top entry type and 5.5mm (.217") for side entry type, and a width of 5.0mm (.197") for top entry type and 5.1mm (.201") for side entry type • Reliable Contact: The same contact can be used for the single row SH connectors • Anti-Misinsertion Feature: Ribs and grooves on the header and receptacle prevent misinsertion and distortion during mating and unmating.  
**Specifications:** • Current Rating: 1.0A AC/DC • Voltage Rating: 50V AC/DC • Temperature Range: -25°C - 85°C • Applicable Wire: 32 - 28 AWG • Color: Natural (White)

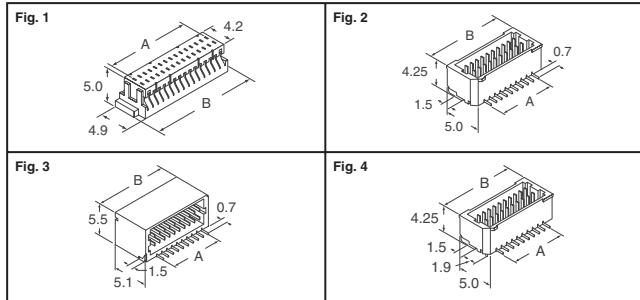


Fig.	Cir- cuts	Dim. - mm A B	Digi-Key Part No.	Cut Tape Pricing			Tape and Reel†		JST Part No.	
				10	100	500	Qty.	Pricing		
<b>Housing</b>										
1	20	9.0 13.0	455-1436-ND‡	1.11	9.23	36.92	—	—	SHDR-20V-S-B	
			455-1437-ND‡	1.56	13.04	52.14	—	—	SHDR-30V-S-B	
			455-1438-ND‡	1.51	12.57	50.29	—	—	SHDR-40V-S-B	
			455-1439-ND‡	1.56	13.00	52.02	—	—	SHDR-50V-S-B	
			<b>Shrouded Header</b>							
<b>Top Entry Type</b>										
2	20	9.0 12.3	455-1862-1-ND	11.77	98.07	392.27	1,500	651.16/M	BM20B-SRDS-G-TF(LF)(SN)	
			455-1863-1-ND	15.37	128.10	512.40	1,500	850.60/M	BM30B-SRDS-G-TF(LF)(SN)	
			455-1864-1-ND	19.31	160.91	643.65	1,500	1068.46/M	BM40B-SRDS-G-TF(LF)(SN)	
			455-1865-1-ND	23.25	193.73	774.90	1,500	1286.33/M	BM50B-SRDS-G-TF(LF)(SN)	
			<b>Side Entry Type</b>							
3	20	9.0 13.1	455-1866-1-ND	12.92	107.69	430.74	1,250	715.04/M	SM20B-SRDS-G-TF(LF)(SN)	
			455-1867-1-ND	14.71	122.56	490.26	1,250	813.84/M	SM30B-SRDS-G-TF(LF)(SN)	
			455-1868-1-ND	18.64	155.32	621.27	1,250	1031.31/M	SM40B-SRDS-G-TF(LF)(SN)	
			455-1869-1-ND	21.92	182.68	730.70	1,250	1212.97/M	SM50B-SRDS-G-TF(LF)(SN)	
			<b>Top Entry Type with a Boss</b>							
4	20	9.0 12.3	455-1870-1-ND	11.77	98.09	392.34	1,250	651.29/M	BM20B-SRDS-A-G-TF(LF)(SN)	
			455-1871-1-ND	15.38	128.12	512.48	1,250	850.72/M	BM30B-SRDS-A-G-TF(LF)(SN)	
			455-1872-1-ND	19.31	160.93	643.72	1,250	1068.58/M	BM40B-SRDS-A-G-TF(LF)(SN)	
			455-1873-1-ND	23.25	193.74	774.97	1,250	1286.45/M	BM50B-SRDS-A-G-TF(LF)(SN)	
			<b>Contact - Gold Plated</b>							
32 - 28 AWG				455-1435-1-ND	52	4.37	17.48	23,000	23.26/M	SSH-003GA-P0.2
<b>Crimp Tool</b>										
32 - 28 AWG				455-1376-ND	737.79/1			—		WC-SH2832

† For Tape and Reel part number, change 1-ND to 2-ND. ‡ Bulk

# ACH Series 1.20mm Connectors



**Features:** • Disconnectable crimp style • Compact, Low Profile with height of 1.4mm (.055"), width of 4.3mm (.169"), and 1.2mm (.047") pitch wire-to-board connector • Top entry, side feed **Specifications:** • Current Rating: 2A AC/DC (28 AWG) • Voltage Rating: 50V AC/DC • Temperature Range: -25°C - 85°C • Applicable Wire: 30 - 28 AWG

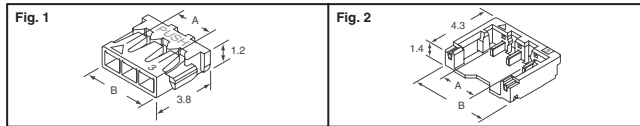


Fig.	Cir- cuts	Dim. - mm A B	Digi-Key Part No.	Cut Tape Pricing			Tape and Reel†		JST Part No.
				10	100	500	Qty.	Pricing	
<b>Housing</b>									
1	2	1.2 2.6	455-2197-ND‡	60	4.98	19.91	—	—	ACHR-02V-S
			455-2200-ND‡	93	7.75	30.98	—	—	ACHTP-02V-S
			455-2201-ND‡	87	7.26	29.03	—	—	ACHTR-02V-S
			455-2198-ND‡	61	5.11	20.44	—	—	ACHR-03V-S
2	2	1.2 2.6	455-2199-ND‡	67	5.56	22.25	—	—	ACHR-04V-A-S
			<b>Shrouded Header</b>						
<b>Top Entry - Side Feed Type</b>									
2	2	1.2 2.6	455-2202-1-ND	3.14	26.19	104.76	4,500	173.91/M	BM02B-ACHSS-GAN-TF(LF)(SN)

Digi-Reel® Most SMT cutdown parts are available on a Digi-Reel®. For Digi-Reel part number, change 1-ND to 6-ND or CT-ND to DKR-ND. See Digi-Key® Services on page 2 for additional information.

**Free shipping on orders over £50! All prices are in British pound sterling and include duties.**

124 (UK091) uk.digikey.com — FREEPHONE: 0-800-587-0991 • 0-800-904-7786 — FREEFAX: 0-800-587-0992 • 0-800-904-7783

Fig.	Cir- cuts	Dim. - mm A B	Digi-Key Part No.	Cut Tape Pricing			Tape and Reel†		JST Part No.	
				10	100	500	Qty.	Pricing		
2	3	2.4 3.8	455-2203-1-ND	3.67	30.58	122.32	4,500	203.05/M	BM03B-ACHSS-GAN-TF(LF)(SN)	
			455-2204-1-ND	4.41	36.74	146.94	4,500	243.92/M	BM04B-ACHSS-A-GAN-TF(LF)(SN)	
<b>Contacts - Gold Plated</b>										
30 - 28 AWG				455-2195-1-ND	.46	3.80	15.18	30,000	20.20/M	SACH-003G-P0.2
30 - 28 AWG				455-2196-1-ND	.41	3.43	13.74	30,000	18.27/M	SACHP-003G-P0.2
30 - 28 AWG				455-2206-2-ND▲	—	—	—	1,000	156.32	MINI-SACH-003G-P0.2
30 - 28 AWG				455-2207-2-ND▲	—	—	—	1,000	156.32	MINI-SACHP-003G-P0.2
<b>Crimp Tools</b>										
30 - 28 AWG				455-2205-ND	754.91/1			—		YRS-1190
Mini ACH Reel				455-2208-ND	1133.19/1			—		WC-ACH2830

† For Tape and Reel part number, change 1-ND to 2-ND. ‡ Bulk ▲ Tape and Reel (not available in Cut Tape)

# GH Series 1.25mm Connectors



Developed for plasma display panels, LCD monitors, notebook PCs, PDAs, mobile phones and other small electronic equipment.

**Features:** The innovative housing lock design achieves a locking device which is easy to handle as well as secure. The header is fully shrouded and this protects the receptacle from damage that could be caused by mating the connector at an angle.

**Specifications:** • Current Rating: 1.0A AC/DC (26 AWG) • Voltage Rating: 50V AC/DC • Temperature Range: -25°C - 85°C • Applicable Wire: Conductor Size 30 - 26 AWG

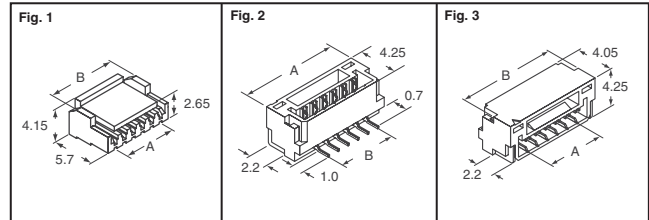


Fig.	Cir- cuts	Dimensions - mm A B	Digi-Key Part No.	Pricing			JST Part No.
				10	100	500	
<b>Housing</b>							
2	3	1.25 3.75	455-1592-ND	.47	3.96	15.81	GHR-02V-S
			455-1593-ND	.50	4.17	16.68	GHR-03V-S
			455-1594-ND	.53	4.39	17.55	GHR-04V-S
			455-1595-ND	.85	7.07	28.27	GHR-05V-S
			455-1596-ND	.86	7.20	28.80	GHR-06V-S
			455-1597-ND	.89	7.38	29.49	GHR-07V-S
1	7	8.75 11.25	455-1598-ND	.89	7.44	29.77	GHR-08V-S
			455-1599-ND	.89	7.47	29.88	GHR-09V-S
			455-1600-ND	.91	7.55	30.19	GHR-10V-S
			455-1601-ND	.93	7.77	31.07	GHR-11V-S
			455-1602-ND	.95	7.90	31.60	GHR-12V-S
			455-1603-ND	.97	8.08	32.31	GHR-13V-S
14	16.25	17.50	455-1604-ND	.99	8.21	32.83	GHR-14V-S
			455-1605-ND	1.01	8.39	33.53	GHR-15V-S

Fig.	Cir- cuts	Dim. - mm A B	Digi-Key Part No.	Cut Tape Pricing			Tape and Reel†		JST Part No.
				10	100	500	Qty.	Pricing	
<b>Headers</b>									
<b>Top Entry</b>									
2	3	1.25 5.75	455-1578-1-ND	1.95	16.20	64.80	2,500	107.56/M	BM02B-GHS-TBT(LF)(SN)
			455-1579-1-ND	2.10	17.47	69.86	2,500	115.98/M	BM03B-GHS-TBT(LF)(SN)
			455-1580-1-ND	2.24	18.65	74.60	2,500	123.84/M	BM04B-GHS-TBT(LF)(SN)
			455-1581-1-ND	2.34	19.53	78.11	2,500	129.67/M	BM05B-GHS-TBT(LF)(SN)
			455-1582-1-ND	2.85	23.70	94.81	2,500	157.39/M	BM06B-GHS-TBT(LF)(SN)
7	7.50	12.00	455-1583-1-ND	2.98	24.80	99.19	2,500	156.82/M	BM07B-GHS-TBT(LF)(SN)
			455-1584-1-ND	3.08	25.68	102.70	2,500	170.49/M	BM08B-GHS-TBT(LF)(SN)
			455-1585-1-ND	3.22	26.82	107.27	2,500	178.08/M	BM09B-GHS-TBT(LF)(SN)
			455-1586-1-ND	3.43	28.53	114.13	2,500	189.46/M	BM10B-GHS-TBT(LF)(SN)
			455-1587-1-ND	3.70	30.86	123.41	2,500	204.86/M	BM11B-GHS-TBT(LF)(SN)
			455-1588-1-ND	3.72	31.03	124.12	2,500	206.04/M	BM12B-GHS-TBT(LF)(SN)
14	16.25	20.75	455-1589-1-ND	3.98	33.13	132.55	2,500	220.03/M	BM13B-GHS-TBT(LF)(SN)
			455-1590-1-ND	3.98	33.18	132.72	2,500	220.32/M	BM14B-GHS-TBT(LF)(SN)
			455-1591-1-ND	4.12	34.33	137.29	2,500	227.91/M	BM15B-GHS-TBT(LF)(SN)

Fig.	Cir- cuts	Dim. - mm A B	Digi-Key Part No.	Cut Tape Pricing			Tape and Reel†		JST Part No.			
				10	100	500	Qty.	Pricing				
<b>Side Entry</b>												
2	3	1.25 5.75	455-1564-1-ND	2.04	16.99	67.94	2,500	112.78/M	SM02B-GHS-TB(LF)(SN)			
			455-1565-1-ND	2.16	18.04	72.15	2,500	119.77/M	SM03B-GHS-TB(LF)(SN)			
			455-1566-1-ND	2.29	19.14	76.53	2,500	127.05/M	SM04B-GHS-TB(LF)(SN)			
			455-1567-1-ND	2.42	20.14	80.56	2,500	133.74/M	SM05B-GHS-TB(LF)(SN)			
			455-1568-1-ND	2.95	24.62	98.48	2,500	163.48/M	SM06B-GHS-TB(LF)(SN)			
7	7.50	12.00	455-1569-1-ND	3.07	25.59	102.35	2,500	169.91/M	SM07B-GHS-TB(LF)(SN)			
			455-1570-1-ND	3.29	27.44	109.73	2,500	182.15/M	SM08B-GHS-TB(LF)(SN)			
			455-1571-1-ND	3.51	29.23	116.91	2,500	194.07/M	SM09B-GHS-TB(LF)(SN)			
			455-1572-1-ND	3.62	30.19	120.78	2,500	200.49/M	SM10B-GHS-TB(LF)(SN)			
			455-1573-1-ND	3.78	31.52	126.05	2,500	209.24/M	SM11B-GHS-TB(LF)(SN)			
			455-1574-1-ND	3.92	32.70	130.79	2,500	217.11/M	SM12B-GHS-TB(LF)(SN)			
13	15.00	18.25	455-1575-1-ND	4.04	33.71	134.82	2,500	223.80/M	SM13B-GHS-TB(LF)(SN)			
			455-1576-1-ND	4.16	34.67	138.70	2,500	230.24/M	SM14B-GHS-TB(LF)(SN)			
			455-1577-1-ND	4.28	35.68	142.72	2,500	236.93/M	SM15B-GHS-TB(LF)(SN)			
			<b>Contacts - Tin Plated</b>									
			30 - 26 AWG				455-1606-2-ND‡	—	—	23,000	17.89/M	SSHL-002T-P0.2
30 - 26 AWG				455-1607-1-ND	1.60	13.29	53.16	1,000	88.25	MINI-SSHL-002T-P0.2		
<b>Crimp Tools</b>												
30 - 26 AWG				455-1609-ND	794.88/1			—		YRS-1140		
Mini Reel				455-1608-ND	1081.70/1			—		WC-GH2630		

† For Tape and Reel part number, change 1-ND to 2-ND. ‡ Tape and Reel (not available in Cut Tape)