

JST SH and SR Series 1.0mm Connectors (Cont.)



Fig.	Cir-cuits	Dim. - mm A B	Digi-Key Part No.	Cut Tape Pricing			Tape and Reel†		JST Part No.
				10	100	500	Qty.	Pricing	
5	15	14.0 17.0	455-1815-1-ND	8.05	67.12	268.47	3,000	445.67/M	SM15B-SRSS-TB(LF)(SN)
			455-1816-1-ND	10.04	83.66	334.64	3,000	555.51/M	SM20B-SRSS-TB(LF)(SN)
Contacts - Tin Plated									
				3.36/100	17.89/M	—	—	—	SSH-003T-P0.2
				1.52	12.73	50.89	1,000	84.48	MINI-SSH-003T-P0.2
Crimp Tool									
				737.79/1	—	—	—	—	WC-SH2832

† For Tape and Reel part number, change 1-ND to 2-ND.

SHD Series 1.0mm Connectors



Features: • Ultra compact double row design • Low Profile with a mounting height of 6.3mm (.248") for top entry type and 5.5mm (.217") for side entry type, and a width of 5.0mm (.197") for top entry type and 5.1mm (.201") for side entry type • Reliable Contact: The same contact can be used for the single row SH connectors • Anti-Misinsertion Feature: Ribs and grooves on the header and receptacle prevent misinsertion and distortion during mating and unmating.
Specifications: • Current Rating: 1.0A AC/DC • Voltage Rating: 50V AC/DC • Temperature Range: -25°C - 85°C • Applicable Wire: 32 - 28 AWG • Color: Natural (White)

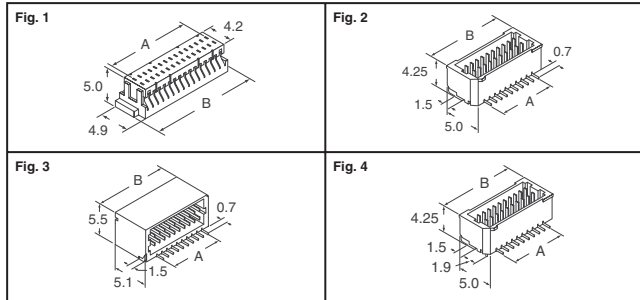


Fig.	Cir-cuits	Dim. - mm A B	Digi-Key Part No.	Cut Tape Pricing			Tape and Reel†		JST Part No.
				10	100	500	Qty.	Pricing	
Housing									
1	20	9.0 13.0	455-1436-ND‡	1.11	9.23	36.92	—	—	SHDR-20V-S-B
			455-1437-ND‡	1.56	13.04	52.14	—	—	SHDR-30V-S-B
			455-1438-ND‡	1.51	12.57	50.29	—	—	SHDR-40V-S-B
			455-1439-ND‡	1.56	13.00	52.02	—	—	SHDR-50V-S-B
			—	—	—	—	—	—	—
Shrouded Header									
Top Entry Type									
2	20	9.0 12.3	455-1862-1-ND	11.77	98.07	392.27	1,500	651.16/M	BM20B-SRDS-G-TF(LF)(SN)
			455-1863-1-ND	15.37	128.10	512.40	1,500	850.60/M	BM30B-SRDS-G-TF(LF)(SN)
			455-1864-1-ND	19.31	160.91	643.65	1,500	1068.46/M	BM40B-SRDS-G-TF(LF)(SN)
			455-1865-1-ND	23.25	193.73	774.90	1,500	1286.33/M	BM50B-SRDS-G-TF(LF)(SN)
			—	—	—	—	—	—	—
Side Entry Type									
3	20	9.0 13.1	455-1866-1-ND	12.92	107.69	430.74	1,250	715.04/M	SM20B-SRDS-G-TF(LF)(SN)
			455-1867-1-ND	14.71	122.56	490.26	1,250	813.84/M	SM30B-SRDS-G-TF(LF)(SN)
			455-1868-1-ND	18.64	155.32	621.27	1,250	1031.31/M	SM40B-SRDS-G-TF(LF)(SN)
			455-1869-1-ND	21.92	182.68	730.70	1,250	1212.97/M	SM50B-SRDS-G-TF(LF)(SN)
			—	—	—	—	—	—	—
Top Entry Type with a Boss									
4	20	9.0 12.3	455-1870-1-ND	11.77	98.09	392.34	1,250	651.29/M	BM20B-SRDS-A-G-TF(LF)(SN)
			455-1871-1-ND	15.38	128.12	512.48	1,250	850.72/M	BM30B-SRDS-A-G-TF(LF)(SN)
			455-1872-1-ND	19.31	160.93	643.72	1,250	1068.58/M	BM40B-SRDS-A-G-TF(LF)(SN)
			455-1873-1-ND	23.25	193.74	774.97	1,250	1286.45/M	BM50B-SRDS-A-G-TF(LF)(SN)
			—	—	—	—	—	—	—
Contact - Gold Plated									
				52	4.37	17.48	23,000	23.26/M	SSH-003GA-P0.2
Crimp Tool									
				737.79/1	—	—	—	—	WC-SH2832

† For Tape and Reel part number, change 1-ND to 2-ND. ‡ Bulk

ACH Series 1.20mm Connectors



Features: • Disconnectable crimp style • Compact, Low Profile with height of 1.4mm (.055"), width of 4.3mm (.169"), and 1.2mm (.047") pitch wire-to-board connector • Top entry, side feed **Specifications:** • Current Rating: 2A AC/DC (28 AWG) • Voltage Rating: 50V AC/DC • Temperature Range: -25°C - 85°C • Applicable Wire: 30 - 28 AWG

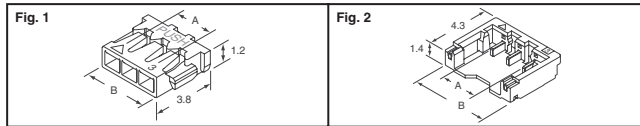


Fig.	Cir-cuits	Dim. - mm A B	Digi-Key Part No.	Cut Tape Pricing			Tape and Reel†		JST Part No.
				10	100	500	Qty.	Pricing	
Housing									
1	2	1.2 2.6	455-2197-ND‡	60	4.98	19.91	—	—	ACHR-02V-S
			455-2200-ND‡	93	7.75	30.98	—	—	ACHTP-02V-S
			455-2201-ND‡	87	7.26	29.03	—	—	ACHTR-02V-S
			455-2198-ND‡	61	5.11	20.44	—	—	ACHR-03V-S
2	4	3.6 5.0	455-2199-ND‡	67	5.56	22.25	—	—	ACHR-04V-A-S
			—	—	—	—	—	—	—
Shrouded Header									
Top Entry - Side Feed Type									
2	2	1.2 2.6	455-2202-1-ND	3.14	26.19	104.76	4,500	173.91/M	BM02B-ACHSS-GAN-TF(LF)(SN)

Digi-Reel® Most SMT cutdown parts are available on a Digi-Reel®. For Digi-Reel part number, change 1-ND to 6-ND or CT-ND to DKR-ND. See Digi-Key® Services on page 2 for additional information.

Free shipping on orders over £50! All prices are in British pound sterling and include duties.

124 (UK091) uk.digikey.com — FREEPHONE: 0-800-587-0991 • 0-800-904-7786 — FREEFAX: 0-800-587-0992 • 0-800-904-7783

Fig.	Cir-cuits	Dim. - mm A B	Digi-Key Part No.	Cut Tape Pricing			Tape and Reel†		JST Part No.
				10	100	500	Qty.	Pricing	
2	3	2.4 3.8	455-2203-1-ND	3.67	30.58	122.32	4,500	203.05/M	BM03B-ACHSS-GAN-TF(LF)(SN)
			455-2204-1-ND	4.41	36.74	146.94	4,500	243.92/M	BM04B-ACHSS-A-GAN-TF(LF)(SN)
Contacts - Gold Plated									
				.46	3.80	15.18	30,000	20.20/M	SACH-003G-P0.2
				.41	3.43	13.74	30,000	18.27/M	SACHP-003G-P0.2
				—	—	—	1,000	156.32	MINI-SACH-003G-P0.2
				—	—	—	1,000	156.32	MINI-SACHP-003G-P0.2
Crimp Tools									
				754.91/1	—	—	—	—	YRS-1190
				1133.19/1	—	—	—	—	WC-ACH2830

† For Tape and Reel part number, change 1-ND to 2-ND. ‡ Bulk ▲ Tape and Reel (not available in Cut Tape)

GH Series 1.25mm Connectors



Developed for plasma display panels, LCD monitors, notebook PCs, PDAs, mobile phones and other small electronic equipment.

Features: The innovative housing lock design achieves a locking device which is easy to handle as well as secure. The header is fully shrouded and this protects the receptacle from damage that could be caused by mating the connector at an angle.

Specifications: • Current Rating: 1.0A AC/DC (26 AWG) • Voltage Rating: 50V AC/DC • Temperature Range: -25°C - 85°C • Applicable Wire: Conductor Size 30 - 26 AWG

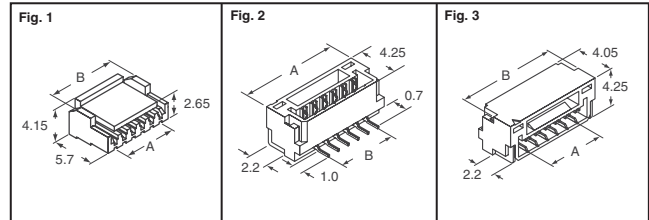


Fig.	Cir-cuits	Dimensions - mm A B	Digi-Key Part No.	Pricing			JST Part No.
				10	100	500	
Housing							
2	3	1.25 3.75	455-1592-ND	.47	3.96	15.81	GHR-02V-S
			455-1593-ND	.50	4.17	16.68	GHR-03V-S
			455-1594-ND	.53	4.39	17.55	GHR-04V-S
			455-1595-ND	.85	7.07	28.27	GHR-05V-S
			455-1596-ND	.86	7.20	28.80	GHR-06V-S
			—	—	—	—	—
1	7	8.75 10.00	455-1597-ND	.89	7.38	29.49	GHR-07V-S
			455-1598-ND	.89	7.44	29.77	GHR-08V-S
			455-1599-ND	.89	7.47	29.88	GHR-09V-S
			455-1600-ND	.91	7.55	30.19	GHR-10V-S
			455-1601-ND	.93	7.77	31.07	GHR-11V-S
			—	—	—	—	—
			455-1602-ND	.95	7.90	31.60	GHR-12V-S
			455-1603-ND	.97	8.08	32.31	GHR-13V-S
			455-1604-ND	.99	8.21	32.83	GHR-14V-S
			455-1605-ND	1.01	8.39	33.53	GHR-15V-S

Fig.	Cir-cuits	Dim. - mm A B	Digi-Key Part No.	Cut Tape Pricing			Tape and Reel†		JST Part No.
				10	100	500	Qty.	Pricing	
Headers									
Top Entry									
2	3	1.25 5.75	455-1578-1-ND	1.95	16.20	64.80	2,500	107.56/M	BM02B-GHS-TBT(LF)(SN)
			455-1579-1-ND	2.10	17.47	69.86	2,500	115.98/M	BM03B-GHS-TBT(LF)(SN)
			455-1580-1-ND	2.24	18.65	74.60	2,500	123.84/M	BM04B-GHS-TBT(LF)(SN)
			455-1581-1-ND	2.34	19.53	78.11	2,500	129.67/M	BM05B-GHS-TBT(LF)(SN)
			455-1582-1-ND	2.85	23.70	94.81	2,500	157.39/M	BM06B-GHS-TBT(LF)(SN)
2	7	7.50 12.00	455-1583-1-ND	2.98	24.80	99.19	2,500	156.82/M	BM07B-GHS-TBT(LF)(SN)
			455-1584-1-ND	3.08	25.68	102.70	2,500	170.49/M	BM08B-GHS-TBT(LF)(SN)
			455-1585-1-ND	3.22	26.82	107.27	2,500	178.08/M	BM09B-GHS-TBT(LF)(SN)
			455-1586-1-ND	3.43	28.53	114.13	2,500	189.46/M	BM10B-GHS-TBT(LF)(SN)
			455-1587-1-ND	3.70	30.86	123.41	2,500	204.86/M	BM11B-GHS-TBT(LF)(SN)
			—	—	—	—	—	—	—
			455-1588-1-ND	3.72	31.03	124.12	2,500	206.04/M	BM12B-GHS-TBT(LF)(SN)
			455-1589-1-ND	3.98	33.13	132.55	2,500	220.03/M	BM13B-GHS-TBT(LF)(SN)
			455-1590-1-ND	3.98	33.18	132.72	2,500	220.32/M	BM14B-GHS-TBT(LF)(SN)
			455-1591-1-ND	4.12	34.33	137.29	2,500	227.91/M	BM15B-GHS-TBT(LF)(SN)
			—	—	—	—	—	—	—
Side Entry									
2	3	1.25 5.75	455-1564-1-ND	2.04	16.99	67.94	2,500	112.78/M	SM02B-GHS-TB(LF)(SN)
			455-1565-1-ND	2.16	18.04	72.15	2,500	119.77/M	SM03B-GHS-TB(LF)(SN)
			455-1566-1-ND	2.29	19.14	76.53	2,500	127.05/M	SM04B-GHS-TB(LF)(SN)
			455-1567-1-ND	2.42	20.14	80.56	2,500	133.74/M	SM05B-GHS-TB(LF)(SN)
			455-1568-1-ND	2.95	24.62	98.48	2,500	163.48/M	SM06B-GHS-TB(LF)(SN)
			—	—	—	—	—	—	—
			455-1569-1-ND	3.07	25.59	102.35	2,500	169.91/M	SM07B-GHS-TB(LF)(SN)
			455-1570-1-ND	3.29	27.44	109.73	2,500	182.15/M	SM08B-GHS-TB(LF)(SN)
			455-1571-1-ND	3.51	29.23	116.91	2,500	194.07/M	SM09B-GHS-TB(LF)(SN)
			455-1572-1-ND	3.62	30.19	120.78	2,500	200.49/M	SM10B-GHS-TB(LF)(SN)
			455-1573-1-ND	3.78	31.52	126.05	2,500	209.24/M	SM11B-GHS-TB(LF)(SN)
			—	—	—	—	—	—	—
			455-1574-1-ND	3.92	32.70	130.79	2,500	217.11/M	SM12B-GHS-TB(LF)(SN)
			455-1575-1-ND	4.04	33.71	134.82	2,500	223.80/M	SM13B-GHS-TB(LF)(SN)
			455-1576-1-ND	4.16	34.67	138.70	2,500	230.24/M	SM14B-GHS-TB(LF)(SN)
455-1577-1-ND	4.28	35.68	142.72	2,500	236.93/M	SM15B-GHS-TB(LF)(SN)			

Fig.	Cir-cuits	Dim. - mm A B	Digi-Key Part No.	Cut Tape Pricing			Tape and Reel†		JST Part No.
				10	100	500	Qty.	Pricing	
Contacts - Tin Plated									
				—	—	—	23,000	17.89/M	SSHL-002T-P0.2
				1.60	13.29	53.16	1,000	88.25	MINI-SSHL-002T-P0.2
Crimp Tools									
				794.88/1	—	—	—	—	YRS-1140
				1081.70/1	—	—	—	—	WC-GH2630

† For Tape and Reel part number, change 1-ND to 2-ND. ‡ Tape and Reel (not available in Cut Tape)

JST GHD Series 1.25mm Connectors



This connector is designed to be the double-row type of the GH connector series.
Features: • Secure locking device • Low insertion force • Prevention of contact deformation • Suction area for picking up
Specifications: • Current Rating: 1.0A AC/DC (26 AWG) • Voltage Rating: 50V AC/DC • Temperature Range: -25°C - 85°C • Applicable Wire: Conductor size 30 - 26 AWG

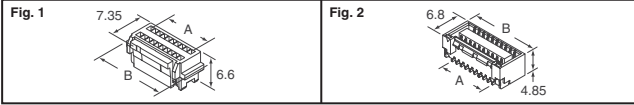


Fig.	Cir. cuts	Dim. - mm		Digi-Key Part No.	Cut Tape Pricing			Tape and Reel Qty.	Reel Part No.	JST Part No.	
		A	B		10	100	500				
Housing											
1	20	11.25	15.75	455-1913-ND‡	1.76	14.67	58.65	—	—	GHDR-(20)V-S	
Header											
Top Entry											
2	20	11.25	15.75	455-1916-1-ND	8.55	71.22	284.88	1,250	472.91/M	BM(20)B-GHDS-G-TF(LF)(SN)	
Contacts											
				30 - 26 AWG	455-1914-1-ND	.35	2.90	11.62	20,000	15.45/M	SGHD-002GA-P0.2
				30 - 26 AWG	455-1915-1-ND	2.50	20.81	83.22	1,000	138.15	MINI-SGHD-002GA-P0.2

† For Tape and Reel part number, change 1-ND to 2-ND. ‡ Bulk

ZE Series 1.5mm Connectors



The ZE Series wire-to-board crimp style connector was designed with a secure locking device to ensure connector mating integrity even under adverse conditions. These SMT connectors are polarized and have a positive locking feature when mating to headers as well as an audible click/tactile feedback when mated.
Specifications: • Current Rating: 2.0A (AC/DC) • Voltage Rating: 100V (AC/DC) • Temperature Range: 25°C - 85°C • Housing: UL 94V-0 rated • Contacts: Phosphor bronze, tin plated

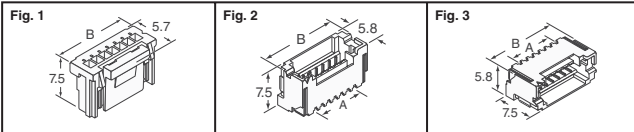


Fig.	Circuits	Dim. B (mm)	Digi-Key Part No.	Pricing			T & R† Qty.	Reel Part No.	JST Part No.		
				1	10	100				500	
Receptacle Housing - Color: Natural - RoHS Compliant											
2	3	5.0	455-2411-ND	—	54	4.49	17.95	—	ZER-02V-S		
3	4	6.3	455-2412-ND	—	55	4.57	18.30	—	ZER-03V-S		
4	4	7.8	455-2413-ND	—	60	4.98	19.91	—	ZER-04V-S		
5	5	9.3	455-2414-ND	—	66	5.52	22.07	—	ZER-05V-S		
6	6	10.8	455-2415-ND	—	79	6.61	26.46	—	ZER-06V-S		
7	7	12.3	455-2416-ND	—	90	7.48	29.52	—	ZER-07V-S		
8	8	13.8	455-2417-ND	—	91	7.61	30.44	—	ZER-08V-S		
9	9	15.3	455-2418-ND	—	94	7.78	31.14	—	ZER-09V-S		
10	10	16.8	455-2419-ND	—	95	7.92	31.67	—	ZER-10V-S		
11	11	18.4	455-2420-ND	—	97	8.05	32.20	—	ZER-11V-S		
12	12	19.8	455-2421-ND	—	110	9.21	36.81	—	ZER-12V-S		
13	13	21.3	455-2422-ND	—	115	9.61	38.45	—	ZER-13V-S		
14	14	22.8	455-2423-ND	—	120	9.96	39.84	—	ZER-14V-S		
15	15	24.3	455-2424-ND	—	127	10.56	42.25	—	ZER-15V-S		
16	16	25.8	455-2425-ND	—	134	11.16	44.63	—	ZER-16V-S		
Receptacle Contacts											
			28 - 24 AWG	455-2410-1-ND‡	.22	1.99	16.58	—	500	66.32	MINI-ZE-002T-PO.3
Crimp Tools											
				Mini Reel ZE Hand Tool	455-2426-ND	—	—	—	—	—	WC-ZE2426

Cir. Fig.	Dim. - mm A B	Digi-Key Part No.	Cut Tape Price Each			Tape and Reel Qty.	Reel Part No.	JST Part No.	
			1	10	100				
Headers - Color: Natural									
Vertical SMT									
2	1.5	7.5	455-2380-1-ND	.34	.32	.27	800	166.49	BM02B-ZESS-TBT (LF) (SN)
3	3.0	9.0	455-2381-1-ND	.38	.36	.30	800	188.75	BM03B-ZESS-TBT (LF) (SN)
4	4.5	10.5	455-2382-1-ND	.43	.40	.33	800	211.00	BM04B-ZESS-TBT (LF) (SN)
5	6.0	12.0	455-2383-1-ND	.49	.46	.39	800	232.46	BM05B-ZESS-TBT (LF) (SN)
6	7.5	13.5	455-2384-1-ND	.56	.52	.43	800	273.77	BM06B-ZESS-TBT (LF) (SN)
7	9.0	15.0	455-2385-1-ND	.60	.56	.47	800	297.08	BM07B-ZESS-TBT (LF) (SN)
8	10.5	16.5	455-2386-1-ND	.65	.60	.50	800	319.61	BM08B-ZESS-TBT (LF) (SN)
9	12.0	18.0	455-2387-1-ND	.69	.64	.54	800	339.73	BM09B-ZESS-TBT (LF) (SN)
10	13.5	19.5	455-2388-1-ND	.74	.69	.57	800	363.57	BM10B-ZESS-TBT (LF) (SN)
11	15.0	21.0	455-2389-1-ND	.78	.73	.61	800	384.51	BM11B-ZESS-TBT (LF) (SN)
12	16.5	22.5	455-2390-1-ND	.83	.78	.65	800	411.05	BM12B-ZESS-TBT (LF) (SN)
13	18.0	24.0	455-2391-1-ND	.88	.82	.68	800	433.55	BM13B-ZESS-TBT (LF) (SN)
14	19.5	25.5	455-2392-1-ND	.93	.86	.72	800	455.81	BM14B-ZESS-TBT (LF) (SN)
15	21.0	27.0	455-2393-1-ND	.99	.92	.77	800	490.72	BM15B-ZESS-TBT (LF) (SN)
16	22.5	28.5	455-2394-1-ND	1.05	.97	.81	800	513.86	BM16B-ZESS-TBT (LF) (SN)
Right Angle SMT									
2	1.5	7.5	455-2395-1-ND	.32	.30	.25	1,000	162.50	SM02B-ZESS-TB (LF) (SN)
3	3.0	9.0	455-2396-1-ND	.34	.32	.27	1,000	173.58	SM03B-ZESS-TB (LF) (SN)
4	4.5	10.5	455-2397-1-ND	.38	.36	.30	1,000	197.52	SM04B-ZESS-TB (LF) (SN)
5	6.0	12.0	455-2398-1-ND	.44	.40	.34	1,000	221.13	SM05B-ZESS-TB (LF) (SN)
6	7.5	13.5	455-2399-1-ND	.49	.45	.38	1,000	248.97	SM06B-ZESS-TB (LF) (SN)
7	9.0	15.0	455-2400-1-ND	.52	.49	.41	1,000	268.44	SM07B-ZESS-TB (LF) (SN)
8	10.5	16.5	455-2401-1-ND	.56	.52	.44	1,000	287.36	SM08B-ZESS-TB (LF) (SN)
9	12.0	18.0	455-2402-1-ND	.60	.56	.47	1,000	305.73	SM09B-ZESS-TB (LF) (SN)
10	13.5	19.5	455-2403-1-ND	.63	.59	.49	1,000	324.38	SM10B-ZESS-TB (LF) (SN)
11	15.0	21.0	455-2404-1-ND	.68	.63	.53	1,000	347.47	SM11B-ZESS-TB (LF) (SN)
12	16.5	22.5	455-2405-1-ND	.72	.67	.56	1,000	365.55	SM12B-ZESS-TB (LF) (SN)
13	18.0	24.0	455-2406-1-ND	.76	.70	.58	1,000	384.46	SM13B-ZESS-TB (LF) (SN)
14	19.5	25.5	455-2407-1-ND	.79	.73	.61	1,000	403.09	SM14B-ZESS-TB (LF) (SN)
15	21.0	27.0	455-2408-1-ND	.83	.77	.64	1,000	421.71	SM15B-ZESS-TB (LF) (SN)
16	22.5	28.5	455-2409-1-ND	.86	.80	.67	1,000	440.65	SM16B-ZESS-TB (LF) (SN)

† For Tape and Reel part number, change 1-ND to 2-ND. ‡ Cut Tape

ZH Series 1.5mm Connectors



Features: • This connector requires only about 45% of the installation space required by the standard JST 2.0mm connector • Contact retention lances allow visual confirmation of contact lock-in • The dimple at the center of the contact ensures positive contact and low contact resistance at all times, even when the connector is subjected to vibration or distortion.
Specifications: • Current Rating: 1.0A AC/DC • Voltage Rating: 50V AC/DC • Temperature Range: -25°C - 85°C • Applicable Wire: 30 - 32 AWG

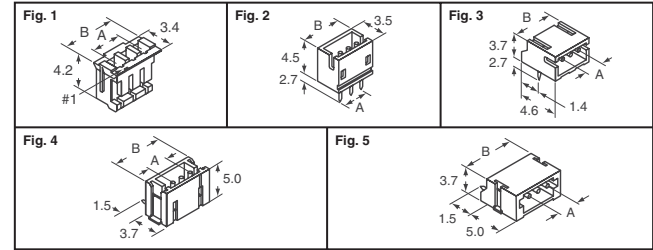


Fig.	Circuits	Dimensions - mm		Digi-Key Part No.	Pricing			JST Part No.
		A	B		10	100	500	
Housing - Color: Natural White								
2	3	1.5	4.5	455-1366-ND	.28	2.37	9.50	ZHR-2
3	4	3.0	6.0	455-1160-ND	.30	2.47	9.87	ZHR-3
4	4	4.5	7.5	455-1202-ND	.36	3.00	11.99	ZHR-4
5	5	6.0	9.0	455-1201-ND	.38	3.14	12.55	ZHR-5
6	6	7.5	10.5	455-1129-ND	.61	5.07	20.26	ZHR-6
7	7	9.0	12.0	455-1200-ND	.72	6.00	23.99	ZHR-7
8	8	10.5	13.5	455-1199-ND	.76	6.32	25.25	ZHR-8
9	9	12.0	15.0	455-1196-ND	.83	6.90	27.62	ZHR-9
10	10	13.5	16.5	455-1197-ND	.84	6.99	27.97	ZHR-10
11	11	15.0	18.0	455-1191-ND	1.17	9.73	38.91	ZHR-11
12	12	16.5	19.5	455-1195-ND	1.18	9.84	39.39	ZHR-12
13	13	18.0	21.0	455-1194-ND	1.21	10.04	40.16	ZHR-13

Fig.	Circuits	Dimensions - mm		Digi-Key Part No.	Pricing			JST Part No.
		A	B		10	100	500	
Headers - Color: Natural Ivory								
Top Entry Thru-hole (Shrouded)								
2	3	1.5	4.5	455-1657-ND	.65	5.42	21.69	B2B-ZR(LF)(SN)
3	4	3.0	6.0	455-1658-ND	.84	7.04	28.15	B3B-ZR(LF)(SN)
4	4	4.5	7.5	455-1659-ND	1.02	8.47	33.89	B4B-ZR(LF)(SN)
5	5	6.0	9.0	455-1660-ND	1.21	10.04	40.16	B5B-ZR(LF)(SN)
6	6	7.5	10.5	455-1661-ND	1.42	11.79	47.15	B6B-ZR(LF)(SN)
7	7	9.0	12.0	455-1662-ND	1.76	14.66	58.63	B7B-ZR(LF)(SN)
8	8	10.5	13.5	455-1663-ND	1.88	15.69	62.76	B8B-ZR(LF)(SN)
9	9	12.0	15.0	455-1664-ND	2.18	18.16	72.61	B9B-ZR(LF)(SN)
10	10	13.5	16.5	455-1665-ND	2.32	19.36	77.46	B10B-ZR(LF)(SN)
11	11	15.0	18.0	455-1666-ND	3.01	25.11	100.41	B11B-ZR(LF)(SN)
12	12	16.5	19.5	455-1667-ND	3.19	26.58	106.32	B12B-ZR(LF)(SN)
13	13	18.0	21.0	455-1668-ND	3.23	26.91	107.66	B13B-ZR(LF)(SN)

Fig.	Circuits	Dimensions - mm		Digi-Key Part No.	Pricing			JST Part No.
		A	B		10	100	500	
Side Entry Thru-hole (Shrouded)								
2	3	1.5	4.5	455-1669-ND	.71	5.92	23.67	S2B-ZR(LF)(SN)
3	4	3.0	6.0	455-1670-ND	.92	7.71	30.84	S3B-ZR(LF)(SN)
4	4	4.5	7.5	455-1671-ND	1.15	9.55	38.19	S4B-ZR(LF)(SN)
5	5	6.0	9.0	455-1672-ND	1.37	11.43	45.72	S5B-ZR(LF)(SN)
6	6	7.5	10.5	455-1673-ND	1.66	13.81	55.22	S6B-ZR(LF)(SN)
7	7	9.0	12.0	455-1674-ND	2.00	16.68	66.70	S7B-ZR(LF)(SN)
8	8	10.5	13.5	455-1675-ND	2.17	18.11	72.44	S8B-ZR(LF)(SN)
9	9	12.0	15.0	455-1676-ND	2.44	20.31	81.22	S9B-ZR(LF)(SN)
10	10	13.5	16.5	455-1677-ND	2.69	22.37	89.47	S10B-ZR(LF)(SN)
11	11	15.0	18.0	455-1678-ND	2.94	24.52	98.08	S11B-ZR(LF)(SN)
12	12	16.5	19.5	455-1679-ND	3.17	26.45	105.79	S12B-ZR(LF)(SN)
13	13	18.0	21.0	455-1680-ND	3.41	28.42	113.68	S13B-ZR(LF)(SN)

Fig.
