

# JST JMD Series 0.5mm Connectors



**Features:** • Smooth connection: The bellows type contacts, mating is very smooth • Distortion Prevention Construction: Box shaped plug housing has guide ribs on both ends which prevents distortion • Wide Range of Circuits: Number of circuits available are: 20 to 100, every 10 circuits  
**Specifications:** • Current Rating: 0.5A AC/DC • Voltage Rating: 50V AC/DC • Temperature Range: -25°C - 85°C • Withstanding Voltage: 100V AC/minute • Contacts: Gold Plated

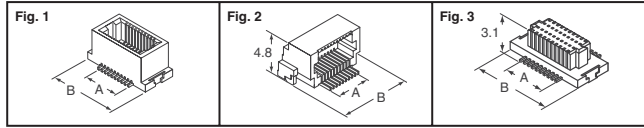


Fig.	Circuits	Dims. - mm		Digi-Key Part No.	Cut Tape Pricing			Tape and Reel Qty.	JST Part No.
		A	B		10	100	500		
<b>Top Entry Plug</b>									
<b>4.5mm Stacking Height</b>									
1	20	4.5	9.1	455-1874-1-ND	8.15	67.90	271.60	450.86/M	20P-JMDSS-G-1-TF(S)(LF)(SN)
	40	9.5	14.1	455-1875-1-ND	9.88	82.36	329.45	546.90/M	40P-JMDSS-G-1-TF(S)(LF)(SN)
	50	12.0	16.6	455-1876-1-ND	11.19	93.21	372.85	618.94/M	50P-JMDSS-G-1-TF(S)(LF)(SN)
	60	14.5	19.1	455-1877-1-ND	14.99	124.95	499.79	829.66/M	60P-JMDSS-G-1-TF(S)(LF)(SN)
	70	17.0	21.6	455-1878-1-ND	16.55	137.89	551.54	915.56/M	70P-JMDSS-G-1-TF(S)(LF)(SN)
1	80	19.5	24.1	455-1879-1-ND	19.65	163.73	654.94	1087.20/M	80P-JMDSS-G-1-TF(S)(LF)(SN)
	100	24.5	29.1	455-1880-1-ND	23.70	197.45	789.79	1311.05/M	100P-JMDSS-G-1-TF(S)(LF)(SN)
	<b>5.0mm Stacking Height</b>								
1	30	7.0	11.6	455-1881-1-ND	9.35	77.94	311.78	517.56/M	30P5.0-JMDSS-G-1-TF(S)(LF)(SN)
	40	9.5	14.1	455-1882-1-ND	11.03	91.93	367.71	610.40/M	40P5.0-JMDSS-G-1-TF(S)(LF)(SN)
<b>6.0mm Stacking Height</b>									
1	50	12.0	16.6	455-1883-1-ND	13.05	108.69	434.77	721.72/M	50P6.0-JMDSS-G-1-TF(S)(LF)(SN)
	60	14.5	19.1	455-1884-1-ND	15.81	131.76	527.03	874.88/M	60P6.0-JMDSS-G-1-TF(S)(LF)(SN)
	70	17.0	21.6	455-1885-1-ND	17.50	145.82	583.28	968.24/M	70P6.0-JMDSS-G-1-TF(S)(LF)(SN)
<b>Side Entry Plug</b>									
2	20	4.5	9.1	455-1886-1-ND	6.69	55.78	223.11	370.38/M	20PS-JMDSS-G-1-TF(LF)(SN)
	30	7.0	11.6	455-1887-1-ND	8.34	69.54	278.15	461.74/M	30PS-JMDSS-G-1-TF(LF)(SN)
	40	9.5	14.1	455-1888-1-ND	10.88	90.61	362.45	601.67/M	40PS-JMDSS-G-1-TF(LF)(SN)
	50	12.0	16.6	455-1889-1-ND	13.47	112.30	449.18	745.65/M	50PS-JMDSS-G-1-TF(LF)(SN)
	60	14.5	19.1	455-1890-1-ND	14.97	124.76	499.06	828.44/M	60PS-JMDSS-G-1-TF(LF)(SN)
2	70	17.0	21.6	455-1891-1-ND	17.43	145.28	581.11	964.65/M	70PS-JMDSS-G-1-TF(LF)(SN)
	80	19.5	24.1	455-1892-1-ND	24.87	207.19	828.77	1375.76/M	80PS-JMDSS-G-1-TF(LF)(SN)
	100	24.5	29.1	455-1893-1-ND	33.20	276.67	1106.69	1837.10/M	100PS-JMDSS-G-1-TF(LF)(SN)
<b>Receptacle</b>									
3	20	4.5	9.1	455-1894-1-ND	9.52	79.31	317.23	526.61/M	20R-JMDSS-G-1-TF(S)(LF)(SN)
	30	7.0	11.6	455-1895-1-ND	10.50	87.47	349.87	580.78/M	30R-JMDSS-G-1-TF(S)(LF)(SN)
	40	9.5	14.1	455-1896-1-ND	13.19	109.95	439.77	730.03/M	40R-JMDSS-G-1-TF(S)(LF)(SN)
	50	12.0	16.6	455-1897-1-ND	15.72	131.00	523.99	869.83/M	50R-JMDSS-G-1-TF(S)(LF)(SN)
	60	14.5	19.1	455-1898-1-ND	17.50	145.88	583.50	968.61/M	60R-JMDSS-G-1-TF(S)(LF)(SN)
3	70	17.0	21.6	455-1899-1-ND	18.37	153.08	612.31	1016.44/M	70R-JMDSS-G-1-TF(S)(LF)(SN)
	80	19.5	24.1	455-1900-1-ND	19.03	158.60	634.40	1053.11/M	80R-JMDSS-G-1-TF(S)(LF)(SN)
	100	24.5	29.1	455-1901-1-ND	26.17	218.13	872.51	1448.38/M	100R-JMDSS-G-1-TF(S)(LF)(SN)

† For Tape and Reel part number, change 1-ND to 2-ND.

# SUR Series 0.8mm IDC Connectors



**Features:** • 3 point grip construction • Super fine wires for ease in routing • Shrouded header • Twin U-slot insulation displacement section  
**Specifications:** • Current Ratings: 0.5A AC/DC (32 AWG) • Voltage Rating: 30V DC • Temperature Range: -25°C - 85°C • Applicable Wire: 32, 36 AWG

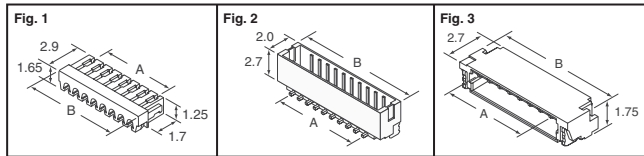


Fig.	Circuits	Dimensions - mm		Digi-Key Part No.	Pricing			JST Part No.
		A	B		10	100	500	
<b>Housing</b>								
1	2	0.8	2.4	455-2176-ND	3.18	26.51	106.05	02SUR-32S
	8	5.6	7.2	455-2177-ND	7.09	59.05	236.19	08SUR-32S
	12	8.8	10.4	455-2178-ND	8.98	74.87	299.45	12SUR-32S
	14	10.4	12.0	455-2179-ND	10.24	85.35	341.38	14SUR-32S
	15	11.2	12.8	455-2180-ND	10.60	88.36	353.44	15SUR-32S
	16	12.0	13.6	455-2181-ND	11.17	93.07	372.30	16SUR-32S
20	15.2	16.8	455-2182-ND	12.48	103.98	415.94	20SUR-32S	

Fig.	Circuit	Dim. - mm		Digi-Key Part No.	Cut Tape Pricing			Tape and Reel Qty.	JST Part No.	
		A	B		10	100	500			
<b>Heads</b>										
<b>Top Entry (Shrouded)</b>										
2	20	15.2	18.2	455-2030-1-ND	10.28	85.67	342.68	2,500	568.85/M	BM20B-SURS-TF(LF)(SN)
<b>Side Entry (Shrouded)</b>										
2	2	0.8	3.8	455-2039-1-ND	3.62	30.14	120.55	3,500	200.12/M	SM02B-SURS-TF(LF)(SN)
	8	5.6	8.6	455-2040-1-ND	7.09	59.10	236.41	3,500	392.45/M	SM08B-SURS-TF(LF)(SN)
	10	7.2	10.2	455-2041-1-ND	7.72	64.32	257.30	3,500	427.12/M	SM10B-SURS-TF(LF)(SN)
	15	11.2	14.2	455-2042-1-ND	10.13	84.37	337.48	3,500	560.22/M	SM15B-SURS-TF(LF)(SN)
16	12.0	15.0	455-2043-1-ND	10.82	90.20	360.79	3,500	598.91/M	SM16B-SURS-TF(LF)(SN)	

† For Tape and Reel part number, change 1-ND to 2-ND.

# SH and SR Series 1.0mm Connectors



**SH Series Features:** • The Worlds First 1.0mm (.039") Pitch Crimp Style Connector • Ultra Compact, Low Profile Design with a mounting height of 2.95mm (.116") for side entry type Specifications: • Current Rating: 1.0A AC, DC • Voltage Rating: 50V AC, DC • Temperature Range: -25°C - 85°C • Applicable Wire: AWG #32 to #28 • Color: Natural (white)  
**SR Series Features:** • 1.0mm (.039") pitch and 3.0mm (.118") high (side entry type) IDC • Header designed for vacuum pick and place robotics • Twin U-slot insulation displacement section • 3 point grip construction Specifications: • Current Rating: 0.7A DC • Voltage Rating: 50V DC • Temperature Range: -25°C - 85°C • Applicable Wire: 30 AWG

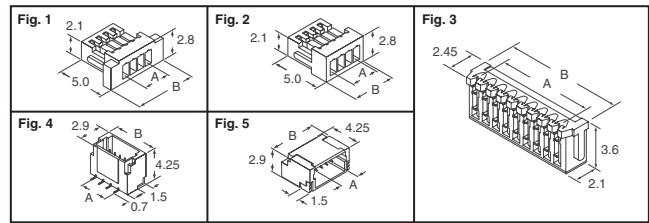


Fig.	Circuits	Dimensions - mm		Digi-Key Part No.	Pricing			JST Part No.
		A	B		10	100	500	
<b>Housing</b>								
<b>Crimp With Protrusions</b>								
1	2	1.0	5.0	455-1377-ND	.37	3.06	12.25	SHR-02V-S-B
	3	2.0	6.0	455-1378-ND	.45	3.75	15.01	SHR-03V-S-B
	4	3.0	7.0	455-1379-ND	.53	4.40	17.59	SHR-04V-S-B
	5	4.0	8.0	455-1380-ND	.62	5.13	20.52	SHR-05V-S-B
	6	5.0	9.0	455-1381-ND	.68	5.63	22.51	SHR-06V-S-B
	7	6.0	10.0	455-1382-ND	.76	6.36	25.45	SHR-07V-S-B
	8	7.0	11.0	455-1383-ND	.83	6.98	27.90	SHR-08V-S-B
	9	8.0	12.0	455-1384-ND	.91	7.59	30.06	SHR-09V-S-B
	10	9.0	13.0	455-1385-ND	.99	8.20	32.82	SHR-10V-S-B
	11	10.0	14.0	455-1386-ND	1.06	8.82	35.28	SHR-11V-S-B
	12	11.0	15.0	455-1387-ND	1.13	9.44	37.74	SHR-12V-S-B
13	12.0	16.0	455-1388-ND	1.21	10.05	40.20	SHR-13V-S-B	
14	13.0	17.0	455-1389-ND	1.28	10.66	42.65	SHR-14V-S-B	
15	14.0	18.0	455-1390-ND	1.35	11.28	45.11	SHR-15V-S-B	
20	19.0	23.0	455-1391-ND	1.72	14.35	57.41	SHR-20V-S-B	
<b>Crimp Without Protrusions</b>								
2	2	1.0	3.0	455-1392-ND	.37	3.06	12.25	SHR-02V-S
	3	2.0	4.0	455-1393-ND	.45	3.75	15.01	SHR-03V-S
	4	3.0	5.0	455-1394-ND	.53	4.40	17.59	SHR-04V-S
	5	4.0	6.0	455-1395-ND	.62	5.13	20.52	SHR-05V-S
	6	5.0	7.0	455-1396-ND	.68	5.63	22.51	SHR-06V-S
	7	6.0	8.0	455-1397-ND	.76	6.36	25.45	SHR-07V-S
	8	7.0	9.0	455-1398-ND	.83	6.98	27.90	SHR-08V-S
	9	8.0	10.0	455-1399-ND	.91	7.59	30.06	SHR-09V-S
	10	9.0	11.0	455-1400-ND	.99	8.20	32.82	SHR-10V-S
	11	10.0	12.0	455-1401-ND	1.06	8.82	35.28	SHR-11V-S
	12	11.0	13.0	455-1402-ND	1.13	9.44	37.74	SHR-12V-S
13	12.0	14.0	455-1403-ND	1.21	10.05	40.20	SHR-13V-S	
14	13.0	15.0	455-1404-ND	1.28	10.66	42.65	SHR-14V-S	
15	14.0	16.0	455-1405-ND	1.36	11.29	45.12	SHR-15V-S	
<b>IDC Housing</b>								
3	2	1.0	3.0	455-2183-ND	1.37	11.44	45.75	02SR-3S
	3	2.0	4.0	455-2184-ND	1.66	13.88	55.51	03SR-3S
	4	3.0	5.0	455-2185-ND	1.96	16.32	65.27	04SR-3S
	5	4.0	6.0	455-2186-ND	2.27	18.90	75.59	05SR-3S
	6	5.0	7.0	455-2187-ND	2.56	21.34	85.34	06SR-3S
	7	6.0	8.0	455-2188-ND	3.08	25.68	102.71	07SR-3S
	8	7.0	9.0	455-2189-ND	3.38	28.22	112.88	08SR-3S
	9	8.0	10.0	455-2190-ND	3.69	30.73	122.92	09SR-3S
	10	9.0	11.0	455-2191-ND	3.98	33.17	132.68	10SR-3S
	11	10.0	12.0	455-2192-ND	4.28	35.68	142.72	11SR-3S
	12	11.0	13.0	455-2193-ND	5.72	47.69	190.77	12SR-3S

<b>Crimp Tools</b>			
Head Adapter SR Series.....	455-2301-ND	837.29/1	IDH-SR-20
Pistol Grip Crimp Tool.....	455-1372-ND	109.92/1	IDB-12

Fig.	Circuits	Dim. - mm		Digi-Key Part No.	Cut Tape Pricing			Tape and Reel Qty.	JST Part No.	
		A	B		10	100	500			
<b>Shrouded Header</b>										
<b>Top Entry Type</b>										
4	2	1.0	4.0	455-1788-1-ND	2.46	20.49	81.94	1,500	136.02/M	BM02B-SRSS-TB(LF)(SN)
	3	2.0	5.0	455-1789-1-ND	2.89	24.07	96.28	1,500	159.83/M	BM03B-SRSS-TB(LF)(SN)
	4	3.0	6.0	455-1790-1-ND	3.39	28.24	112.96	1,500	187.52/M	BM04B-SRSS-TB(LF)(SN)
	5	4.0	7.0	455-1791-1-ND	4.11	34.25	136.99	1,500	227.40/M	BM05B-SRSS-TB(LF)(SN)
	6	5.0	8.0	455-1792-1-ND	4.52	37.69	150.78	1,500	250.30/M	BM06B-SRSS-TB(LF)(SN)
	7	6.0	9.0	455-1793-1-ND	4.94	41.19	164.77	1,500	273.52/M	BM07B-SRSS-TB(LF)(SN)
	8	7.0	10.0	455-1794-1-ND	5.48	45.67	182.70	1,500	303.28/M	BM08B-SRSS-TB(LF)(SN)
	9	8.0	11.0	455-1795-1-ND	5.89	49.08	196.32	1,500	325.90/M	

# JST SH and SR Series 1.0mm Connectors (Cont.)



Fig.	Cir-cuits	Dim. - mm A B	Digi-Key Part No.	Cut Tape Pricing			Tape and Reel†		JST Part No.
				10	100	500	Qty.	Pricing	
5	15	14.0 17.0	455-1815-1-ND	8.05	67.12	268.47	3,000	445.67/M	SM15B-SRSS-TB(LF)(SN)
			455-1816-1-ND	10.04	83.66	334.64	3,000	555.51/M	SM20B-SRSS-TB(LF)(SN)
<b>Contacts - Tin Plated</b>									
				3.36/100			23,000	17.89/M	SSH-003T-P0.2
				1.52	12.73	50.89	1,000	84.48	MINI-SSH-003T-P0.2
<b>Crimp Tool</b>									
				737.79/1			—	—	WC-SH2832

† For Tape and Reel part number, change 1-ND to 2-ND.

# SHD Series 1.0mm Connectors



**Features:** • Ultra compact double row design • Low Profile with a mounting height of 6.3mm (.248") for top entry type and 5.5mm (.217") for side entry type, and a width of 5.0mm (.197") for top entry type and 5.1mm (.201") for side entry type • Reliable Contact: The same contact can be used for the single row SH connectors • Anti-Misinsertion Feature: Ribs and grooves on the header and receptacle prevent misinsertion and distortion during mating and unmating.  
**Specifications:** • Current Rating: 1.0A AC/DC • Voltage Rating: 50V AC/DC • Temperature Range: -25°C - 85°C • Applicable Wire: 32 - 28 AWG • Color: Natural (White)

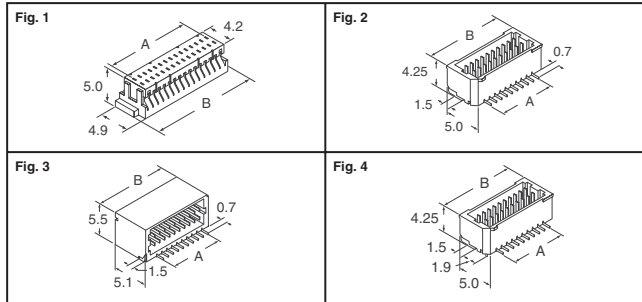


Fig.	Cir-cuits	Dim. - mm A B	Digi-Key Part No.	Cut Tape Pricing			Tape and Reel†		JST Part No.
				10	100	500	Qty.	Pricing	
<b>Housing</b>									
1	20	9.0 13.0	455-1436-ND‡	1.11	9.23	36.92	—	—	SHDR-20V-S-B
			455-1437-ND‡	1.56	13.04	52.14	—	—	SHDR-30V-S-B
			455-1438-ND‡	1.51	12.57	50.29	—	—	SHDR-40V-S-B
			455-1439-ND‡	1.56	13.00	52.02	—	—	SHDR-50V-S-B
			—	—	—	—	—	—	—
<b>Shrouded Header</b>									
<b>Top Entry Type</b>									
2	20	9.0 12.3	455-1862-1-ND	11.77	98.07	392.27	1,500	651.16/M	BM20B-SRDS-G-TF(LF)(SN)
			455-1863-1-ND	15.37	128.10	512.40	1,500	850.60/M	BM30B-SRDS-G-TF(LF)(SN)
			455-1864-1-ND	19.31	160.91	643.65	1,500	1068.46/M	BM40B-SRDS-G-TF(LF)(SN)
			455-1865-1-ND	23.25	193.73	774.90	1,500	1286.33/M	BM50B-SRDS-G-TF(LF)(SN)
			—	—	—	—	—	—	—
<b>Side Entry Type</b>									
3	20	9.0 13.1	455-1866-1-ND	12.92	107.69	430.74	1,250	715.04/M	SM20B-SRDS-G-TF(LF)(SN)
			455-1867-1-ND	14.71	122.56	490.26	1,250	813.84/M	SM30B-SRDS-G-TF(LF)(SN)
			455-1868-1-ND	18.64	155.32	621.27	1,250	1031.31/M	SM40B-SRDS-G-TF(LF)(SN)
			455-1869-1-ND	21.92	182.68	730.70	1,250	1212.97/M	SM50B-SRDS-G-TF(LF)(SN)
			—	—	—	—	—	—	—
<b>Top Entry Type with a Boss</b>									
4	20	9.0 12.3	455-1870-1-ND	11.77	98.09	392.34	1,250	651.29/M	BM20B-SRDS-A-G-TF(LF)(SN)
			455-1871-1-ND	15.38	128.12	512.48	1,250	850.72/M	BM30B-SRDS-A-G-TF(LF)(SN)
			455-1872-1-ND	19.31	160.93	643.72	1,250	1068.58/M	BM40B-SRDS-A-G-TF(LF)(SN)
			455-1873-1-ND	23.25	193.74	774.97	1,250	1286.45/M	BM50B-SRDS-A-G-TF(LF)(SN)
			—	—	—	—	—	—	—
<b>Contact - Gold Plated</b>									
				52	4.37	17.48	23,000	23.26/M	SSH-003GA-P0.2
<b>Crimp Tool</b>									
				737.79/1			—	—	WC-SH2832

† For Tape and Reel part number, change 1-ND to 2-ND. ‡ Bulk

# ACH Series 1.20mm Connectors



**Features:** • Disconnectable crimp style • Compact, Low Profile with height of 1.4mm (.055"), width of 4.3mm (.169"), and 1.2mm (.047") pitch wire-to-board connector • Top entry, side feed **Specifications:** • Current Rating: 2A AC/DC (28 AWG) • Voltage Rating: 50V AC/DC • Temperature Range: -25°C - 85°C • Applicable Wire: 30 - 28 AWG

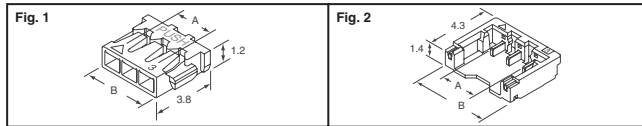


Fig.	Cir-cuits	Dim. - mm A B	Digi-Key Part No.	Cut Tape Pricing			Tape and Reel†		JST Part No.
				10	100	500	Qty.	Pricing	
<b>Housing</b>									
1	2	1.2 2.6	455-2197-ND‡	60	4.98	19.91	—	—	ACHR-02V-S
			455-2200-ND‡	93	7.75	30.98	—	—	ACHTP-02V-S
			455-2201-ND‡	87	7.26	29.03	—	—	ACHTR-02V-S
			455-2198-ND‡	61	5.11	20.44	—	—	ACHR-03V-S
4	3.6	5.0	455-2199-ND‡	67	5.56	22.25	—	—	ACHR-04V-A-S
<b>Shrouded Header</b>									
<b>Top Entry - Side Feed Type</b>									
2	2	1.2 2.6	455-2202-1-ND	3.14	26.19	104.76	4,500	173.91/M	BM02B-ACHSS-GAN-TF(LF)(SN)

Digi-Reel® Most SMT cutdown parts are available on a Digi-Reel®. For Digi-Reel part number, change 1-ND to 6-ND or CT-ND to DKR-ND. See Digi-Key® Services on page 2 for additional information.

**Free shipping on orders over £50! All prices are in British pound sterling and include duties.**

124 (UK091) uk.digikey.com — FREEPHONE: 0-800-587-0991 • 0-800-904-7786 — FREEFAX: 0-800-587-0992 • 0-800-904-7783

Fig.	Cir-cuits	Dim. - mm A B	Digi-Key Part No.	Cut Tape Pricing			Tape and Reel†		JST Part No.
				10	100	500	Qty.	Pricing	
2	3	2.4 3.8	455-2203-1-ND	3.67	30.58	122.32	4,500	203.05/M	BM03B-ACHSS-GAN-TF(LF)(SN)
			455-2204-1-ND	4.41	36.74	146.94	4,500	243.92/M	BM04B-ACHSS-A-GAN-TF(LF)(SN)
<b>Contacts - Gold Plated</b>									
				.46	3.80	15.18	30,000	20.20/M	SACH-003G-P0.2
				.41	3.43	13.74	30,000	18.27/M	SACHP-003G-P0.2
				—	—	—	1,000	156.32	MINI-SACH-003G-P0.2
				—	—	—	1,000	156.32	MINI-SACHP-003G-P0.2
<b>Crimp Tools</b>									
				754.91/1			—	—	YRS-1190
				1133.19/1			—	—	WC-ACH2830

† For Tape and Reel part number, change 1-ND to 2-ND. ‡ Bulk ▲ Tape and Reel (not available in Cut Tape)

# GH Series 1.25mm Connectors



Developed for plasma display panels, LCD monitors, notebook PCs, PDAs, mobile phones and other small electronic equipment.

**Features:** The innovative housing lock design achieves a locking device which is easy to handle as well as secure. The header is fully shrouded and this protects the receptacle from damage that could be caused by mating the connector at an angle.

**Specifications:** • Current Rating: 1.0A AC/DC (26 AWG) • Voltage Rating: 50V AC/DC • Temperature Range: -25°C - 85°C • Applicable Wire: Conductor Size 30 - 26 AWG

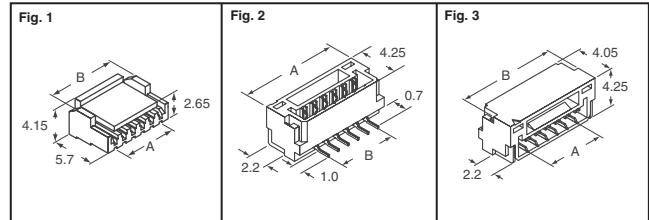


Fig.	Cir-cuits	Dimensions - mm A B	Digi-Key Part No.	Pricing			JST Part No.			
				10	100	500				
<b>Housing</b>										
2	3	1.25 3.75	455-1592-ND	.47	3.96	15.81	GHR-02V-S			
			455-1593-ND	.50	4.17	16.68	GHR-03V-S			
			455-1594-ND	.53	4.39	17.55	GHR-04V-S			
			455-1595-ND	.85	7.07	28.27	GHR-05V-S			
			455-1596-ND	.86	7.20	28.80	GHR-06V-S			
			—	—	—	—	—	—	—	
1	7	8.75	455-1597-ND	.89	7.38	29.49	GHR-07V-S			
			455-1598-ND	.89	7.44	29.77	GHR-08V-S			
			455-1599-ND	.89	7.47	29.88	GHR-09V-S			
			455-1600-ND	.91	7.55	30.19	GHR-10V-S			
			455-1601-ND	.93	7.77	31.07	GHR-11V-S			
			12	13.75	16.25	455-1602-ND	.95	7.90	31.60	GHR-12V-S
			13	15.00	17.50	455-1603-ND	.97	8.08	32.31	GHR-13V-S
			14	16.25	18.75	455-1604-ND	.99	8.21	32.83	GHR-14V-S
			15	17.50	20.00	455-1605-ND	1.01	8.39	33.53	GHR-15V-S

Fig.	Cir-cuits	Dim. - mm A B	Digi-Key Part No.	Cut Tape Pricing			Tape and Reel†		JST Part No.			
				10	100	500	Qty.	Pricing				
<b>Headers</b>												
<b>Top Entry</b>												
2	3	1.25 5.75	455-1578-1-ND	1.95	16.20	64.80	2,500	107.56/M	BM02B-GHS-TBT(LF)(SN)			
			455-1579-1-ND	2.10	17.47	69.86	2,500	115.98/M	BM03B-GHS-TBT(LF)(SN)			
			455-1580-1-ND	2.24	18.65	74.60	2,500	123.84/M	BM04B-GHS-TBT(LF)(SN)			
			455-1581-1-ND	2.34	19.53	78.11	2,500	129.67/M	BM05B-GHS-TBT(LF)(SN)			
			6.25	10.75	455-1582-1-ND	2.85	23.70	94.81	2,500	157.39/M	BM06B-GHS-TBT(LF)(SN)	
			—	—	—	—	—	—	—	—		
2	7	7.50	455-1583-1-ND	2.98	24.80	99.19	2,500	156.82/M	BM07B-GHS-TBT(LF)(SN)			
			455-1584-1-ND	3.08	25.68	102.70	2,500	170.49/M	BM08B-GHS-TBT(LF)(SN)			
			455-1585-1-ND	3.22	26.82	107.27	2,500	178.08/M	BM09B-GHS-TBT(LF)(SN)			
			455-1586-1-ND	3.43	28.53	114.13	2,500	189.46/M	BM10B-GHS-TBT(LF)(SN)			
			10	11.25	15.75	455-1587-1-ND	3.70	30.86	123.41	2,500	204.86/M	BM11B-GHS-TBT(LF)(SN)
			12	13.75	18.25	455-1588-1-ND	3.72	31.03	124.12	2,500	206.04/M	BM12B-GHS-TBT(LF)(SN)
			13	15.00	19.50	455-1589-1-ND	3.98	33.13	132.55	2,500	220.03/M	BM13B-GHS-TBT(LF)(SN)
			14	16.25	20.75	455-1590-1-ND	3.98	33.18	132.72	2,500	220.32/M	BM14B-GHS-TBT(LF)(SN)
			15	17.50	22.00	455-1591-1-ND	4.12	34.33	137.29	2,500	227.91/M	BM15B-GHS-TBT(LF)(SN)

Fig.	Cir-cuits	Dim. - mm A B	Digi-Key Part No.	Cut Tape Pricing			Tape and Reel†		JST Part No.			
				10	100	500	Qty.	Pricing				
<b>Side Entry</b>												
2	3	1.25 5.75	455-1564-1-ND	2.04	16.99	67.94	2,500	112.78/M	SM02B-GHS-TB(LF)(SN)			
			455-1565-1-ND	2.16	18.04	72.15	2,500	119.77/M	SM03B-GHS-TB(LF)(SN)			
			455-1566-1-ND	2.29	19.14	76.53	2,500	127.05/M	SM04B-GHS-TB(LF)(SN)			
			5.00	9.50	455-1567-1-ND	2.42	20.14	80.56	2,500	133.74/M	SM05B-GHS-TB(LF)(SN)	
			6.25	10.75	455-1568-1-ND	2.95	24.62	98.48	2,500	163.48/M	SM06B-GHS-TB(LF)(SN)	
			—	—	—	—	—	—	—	—		
3	7	7.50	455-1569-1-ND	3.07	25.59	102.35	2,500	169.91/M	SM07B-GHS-TB(LF)(SN)			
			455-1570-1-ND	3.29	27.44	109.73	2,500	182.15/M	SM08B-GHS-TB(LF)(SN)			
			455-1571-1-ND	3.51	29.23	116.91	2,500	194.07/M	SM09B-GHS-TB(LF)(SN)			
			10	11.25	15.75	455-1572-1-ND	3.62	30.19	120.78	2,500	200.49/M	SM10B-GHS-TB(LF)(SN)
			11	12.50	17.00	455-1573-1-ND	3.78	31.52	126.05	2,500	209.24/M	SM11B-GHS-TB(LF)(SN)
			12	13.75	18.25	455-1574-1-ND	3.92	32.70	130.79	2,500	217.11/M	SM12B-GHS-TB(LF)(SN)
			13	15.00	19.50	455-1575-1-ND	4.04	33.71	134.82	2,500	223.80/M	SM13B-GHS-TB(LF)(SN)
			14	16.25	20.75	455-1576-1-ND	4.16	34.67	138.70	2,500	230.24/M	SM14B-GHS-TB(LF)(SN)
			15	17.50	22.00	455-1577-1-ND	4.28	35.68	142.72	2,500	236.93/M	SM15B-GHS-TB(LF)(SN)

† For Tape and Reel part number, change 1-ND to 2-ND. ‡ Tape and Reel (not available in Cut Tape)