

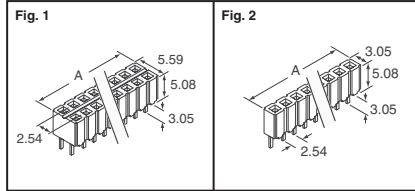


.100" (2.54mm) Low Profile Socket Strips CES Series

A

Specifications:

- Insulator Material: Black Glass Filled Polyester
- Contact Material: Phosphor Bronze
- Plating: Gold or Tin over 50µ" (1.27µm) Nickel
- Current Rating: 1A
- Operating Temperature Range: -55°C - 125°C with Gold; -55°C - 105°C with Tin
- Contact Resistance: 10mΩ maximum
- Mates with: TLW, TSW, Series



No. of Pos.	Dim. A (mm)	Digi-Key Part No. †	Price Each		
			1	10	100
30µ" (0.76µm) Gold on Contact, Matte Tin on Tail					
Fig. 1 — Dual Row					
2	2.54	SAM1084-01-ND	2.80	2.51	2.07
4	5.08	SAM1084-02-ND	2.92	2.62	2.16
6	7.62	SAM1084-03-ND	3.03	2.72	2.24
8	10.16	SAM1084-04-ND	3.15	2.82	2.33
10	12.70	SAM1084-05-ND	3.27	2.93	2.41
12	15.24	SAM1084-06-ND	3.38	3.03	2.50
14	17.78	SAM1084-07-ND	3.50	3.14	2.58
16	20.32	SAM1084-08-ND	3.62	3.24	2.67
18	22.86	SAM1084-09-ND	3.73	3.34	2.75
20	25.40	SAM1084-10-ND	3.85	3.45	2.84
22	27.94	SAM1084-11-ND	3.96	3.55	2.93
24	30.48	SAM1084-12-ND	4.08	3.65	3.01

No. of Pos.	Dim. A (mm)	Digi-Key Part No. †	Price Each		
			1	10	100
Fig. 2 — Single Row					
1	2.54	SAM1085-01-ND	1.77	1.59	1.31
2	5.08	SAM1085-02-ND	1.84	1.65	1.36
3	7.62	SAM1085-03-ND	1.90	1.71	1.41
4	10.16	SAM1085-04-ND	1.97	1.77	1.45
5	12.70	SAM1085-05-ND	2.03	1.82	1.50
6	15.24	SAM1085-06-ND	2.10	1.88	1.55
7	17.78	SAM1085-07-ND	2.16	1.94	1.60
8	20.32	SAM1085-08-ND	2.23	2.00	1.65
9	22.86	SAM1085-09-ND	2.29	2.06	1.70
10	25.40	SAM1085-10-ND	2.36	2.12	1.74
11	27.94	SAM1085-11-ND	2.42	2.17	1.79
12	30.48	SAM1085-12-ND	2.49	2.23	1.84

Matte Tin					
No. of Pos.	Dim. A (mm)	Digi-Key Part No. †	Price Each		
			1	10	100
Fig. 1 — Dual Row					
2	2.54	SAM1086-01-ND	1.71	1.54	1.27
4	5.08	SAM1086-02-ND	1.79	1.60	1.32
6	7.62	SAM1086-03-ND	1.86	1.67	1.37
8	10.16	SAM1086-04-ND	1.93	1.73	1.43
10	12.70	SAM1086-05-ND	2.00	1.80	1.48
12	15.24	SAM1086-06-ND	2.08	1.86	1.53
14	17.78	SAM1086-07-ND	2.15	1.93	1.59
16	20.32	SAM1086-08-ND	2.22	1.99	1.64
18	22.86	SAM1086-09-ND	2.29	2.06	1.70
20	25.40	SAM1086-10-ND	2.37	2.12	1.75
22	27.94	SAM1086-11-ND	2.44	2.19	1.80
24	30.48	SAM1086-12-ND	2.51	2.25	1.86

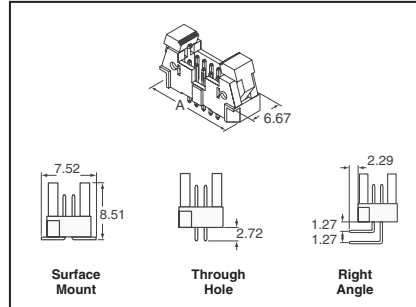
No. of Pos.	Dim. A (mm)	Digi-Key Part No. †	Price Each		
			1	10	100
Fig. 2 — Single Row					
1	2.54	SAM1087-01-ND	.96	.86	.71
2	5.08	SAM1087-02-ND	1.00	.90	.74
3	7.62	SAM1087-03-ND	1.05	.94	.78
4	10.16	SAM1087-04-ND	1.09	.98	.81
5	12.70	SAM1087-05-ND	1.13	1.02	.84
6	15.24	SAM1087-06-ND	1.18	1.06	.87
7	17.78	SAM1087-07-ND	1.22	1.10	.90
8	20.32	SAM1087-08-ND	1.26	1.13	.94
9	22.86	SAM1087-09-ND	1.31	1.17	.97
10	25.40	SAM1087-10-ND	1.35	1.21	1.00
11	27.94	SAM1087-11-ND	1.39	1.25	1.03
12	30.48	SAM1087-12-ND	1.44	1.29	1.06

† More product available online. For pricing and availability, visit our website.

.050" (1.27mm) Ejector Headers EHF Series

Specifications:

- Insulator Material: Black Liquid Crystal Polymer
- Terminal Material: Phosphor Bronze
- Plating: Tin or Gold over 50µ" (1.27µm) Nickel
- Current Rating: 1.75A @ 80°C Ambient
- Operating Temperature Range: -55°C - 125°C
- Mates with: FFSD series

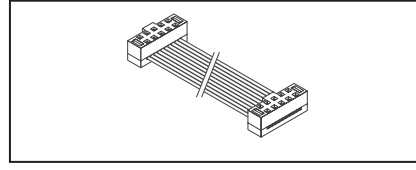


No. of Positions	Dimension A (mm)	Digi-Key Part No.	Price Each		
			1	10	100
Through Hole					
10	20.83	SAM8205-ND	2.31	1.54	1.26
20	27.18	SAM8208-ND	2.61	1.80	1.47
40	39.88	SAM8211-ND	3.67	2.61	2.14
50	46.23	SAM8214-ND	4.34	3.18	2.59
Right Angle					
10	20.83	SAM8206-ND	2.90	2.01	1.64
20	27.18	SAM8209-ND	3.30	2.30	1.92
40	39.88	SAM8212-ND	4.51	3.30	2.69
50	46.23	SAM8215-ND	5.43	4.02	3.33
Surface Mount					
10	20.83	SAM8207-ND	2.67	1.85	1.51
20	27.18	SAM8210-ND	3.14	2.17	1.77
40	39.88	SAM8213-ND	4.17	3.05	2.49
50	46.23	SAM8216-ND	5.01	3.71	3.07

.050" (1.27mm) IDC Cable Assemblies FFSD Series

Specifications:

- Insulator Material: PBT
- Contact: Beryllium Copper
- Plating: 10µ" (0.25µm) Gold over 50µ" (1.27µm) Nickel on contact area; Tin over 50µ" (1.27µm) Nickel on balance
- Wire: 30 AWG
- Current Rating: 1A
- Operating Temperature Range: -40°C - 105°C
- Lead Size Accepted: 0.41mm (0.16") Square
- Contact Resistance: 10mΩ maximum
- Insertion Depth: 2.64mm (0.104")
- Average
- Withdrawal Force (Single contact only): 3oz (0.83N)
- Average
- Mates with: FTS, FTSH, EHF Series

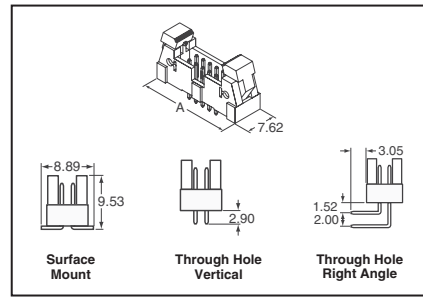


No. of Positions	Length (Inch)	Digi-Key Part No.	Price Each		
			1	10	100
Double End — Female/Female					
10	2	SAM8217-ND	6.71	5.04	4.20
	6	SAM8218-ND	7.30	5.33	4.57
	12	SAM8219-ND	7.86	5.99	5.13
20	2	SAM8223-ND	7.81	5.95	5.10
	6	SAM8224-ND	8.22	6.32	5.30
	12	SAM8225-ND	9.05	6.96	5.84
40	2	SAM8229-ND	11.66	9.01	7.69
	6	SAM8230-ND	12.60	9.74	8.17
	12	SAM8231-ND	13.36	10.82	9.07
50	2	SAM8235-ND	13.16	10.66	8.93
	6	SAM8236-ND	14.06	11.05	9.54
	12	SAM8237-ND	14.67	11.96	10.27

.0787" (2mm) Ejector Headers EHT Series

Specifications:

- Insulator Material: Black Liquid Crystal Polymer
- Terminal Material: Phosphor Bronze
- Plating: Tin or Gold over 50µ" (1.27µm) Nickel
- Current Rating: 3A @ 80°C ambient
- Operating Temperature Range: -55°C - 125°C
- Mates with: TCSD

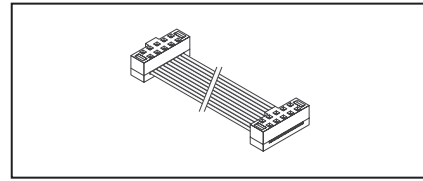


No. of Positions	Dimension A (mm)	Digi-Key Part No.	Price Each		
			1	10	100
Through Hole — Vertical					
10	23.79	SAM8554-ND	3.88	2.81	2.30
20	33.79	SAM8557-ND	4.32	3.16	2.58
40	53.79	SAM8560-ND	7.25	5.29	4.54
50	63.79	SAM8563-ND	8.49	6.54	5.48
Through Hole — Right Angle					
10	23.79	SAM8555-ND	4.12	3.01	2.46
20	33.79	SAM8558-ND	4.57	3.39	2.80
40	53.79	SAM8561-ND	7.64	5.82	4.99
50	63.79	SAM8564-ND	9.34	7.19	6.03
Surface Mount					
10	23.79	SAM8556-ND	5.03	3.73	3.08
20	33.79	SAM8559-ND	5.76	4.15	3.46
40	53.79	SAM8562-ND	9.15	7.04	5.90
50	63.79	SAM8565-ND	11.10	8.73	7.32

.0787" (2mm) IDC Cable Assemblies TCSD Series

Specifications:

- Insulator Material: Black Glass Filled Polyester
- Contact Material: Beryllium Copper
- Plating: Gold or Tin over 50µ" (1.27µm) Nickel
- Wire: 28AWG 7/36 Stranded, Tinned, Copper with Gray PVC Insulator
- Current Rating: 1A
- Operating Temperature Range: -40°C - 105°C
- Lead Size Accepted: .019" (0.48mm) to .021" (0.53mm)
- Contact Resistance: 10mΩ max.
- Insertion Depth: 113" (2.87mm) to 125" (3.17mm)
- Insertion Force: 2oz (0.56N) average (single contact only)
- Withdrawal Force: 1.4oz (0.39N) average (single contact only)
- Mates with: TMM, EHT



No. of Positions	Length (Inch)	Digi-Key Part No.	Price Each		
			1	10	100
Double End — Female/Female					
40	2	SAM8542-ND	9.98	7.85	6.58
	6	SAM8543-ND	10.93	8.60	7.21
	12	SAM8544-ND	12.33	9.53	7.99
50	2	SAM8548-ND	11.80	9.13	7.78
	6	SAM8549-ND	12.73	9.84	8.25
	12	SAM8550-ND	13.50	10.93	9.16

Free shipping on orders over £50! All prices are in British pound sterling and include duties.