

**samtec** **.040" (1.00mm) Micro Headers FTMH Series (Cont.)**

No. of Pos.	Dim. A (mm)	Digi-Key Part No.†	Price Each		
			1	10	100
10	10	SAM1131-05-ND	4.59	4.11	3.38
12	12	SAM1131-06-ND	4.70	4.21	3.47
14	14	SAM1131-07-ND	4.82	4.32	3.56
16	16	SAM1131-08-ND	4.94	4.42	3.64
18	18	SAM1131-09-ND	5.05	4.53	3.73
20	20	SAM1131-10-ND	5.18	4.63	3.82
22	22	SAM1131-11-ND	5.29	4.74	3.90
24	24	SAM1131-12-ND	5.41	4.84	3.99

**Dual Row, Right Angle**

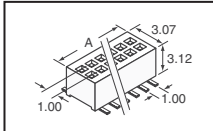
2	2	SAM1130-01-ND	5.39	4.83	3.98
4	4	SAM1130-02-ND	5.55	4.97	4.09
6	6	SAM1130-03-ND	5.70	5.10	4.20
8	8	SAM1130-04-ND	5.85	5.24	4.31
10	10	SAM1130-05-ND	6.00	5.37	4.43
12	12	SAM1130-06-ND	6.15	5.51	4.54
14	14	SAM1130-07-ND	6.30	5.64	4.65
16	16	SAM1130-08-ND	6.45	5.78	4.76
18	18	SAM1130-09-ND	6.61	5.92	4.87
20	20	SAM1130-10-ND	6.76	6.05	4.99
22	22	SAM1130-11-ND	6.91	6.19	5.10
24	24	SAM1130-12-ND	7.06	6.32	5.21

† More product available online. For pricing and availability, visit our website.

**.040" (1.00mm) Standard Sockets MLE Series**

**Specifications:**

- Insulator Material: Black Liquid Crystal Polymer
- Contact Material: Beryllium Copper
- Operating Temperature: -55°C ~ 125°C
- Plating: Gold over 10µ" (0.25µm) Nickel
- Mates with: FTMH Series



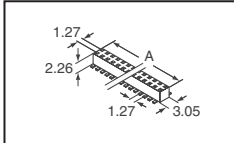
No. of Pos.	Dim. A (mm)	Digi-Key Part No.†	Price Each		
			1	10	100
2	1.2	SAM1132-01-ND	5.15	4.61	3.80
4	2.2	SAM1132-02-ND	5.30	4.74	3.91
6	3.2	SAM1132-03-ND	5.45	4.87	4.01
8	4.2	SAM1132-04-ND	5.59	5.00	4.12
10	5.2	SAM1132-05-ND	5.73	5.13	4.23
12	6.2	SAM1132-06-ND	5.87	5.26	4.33
14	7.2	SAM1132-07-ND	6.02	5.39	4.44
16	8.2	SAM1132-08-ND	6.16	5.52	4.55
18	9.2	SAM1132-09-ND	6.31	5.65	4.65
20	10.2	SAM1132-10-ND	6.45	5.78	4.76
22	11.2	SAM1132-11-ND	6.60	5.91	4.87
24	12.2	SAM1132-12-ND	6.74	6.04	4.98

† More product available online. For pricing and availability, visit our website.

**.050" (1.27mm) Low Profile Sockets CLP Series**

**Specifications:**

- Insulator Material: Black Liquid Crystal Polymer
- Contact Material: Phosphor Bronze
- Current Rating: 1.75A @ 80°C ambient
- Operating Temperature: -55°C ~ 125°C
- Contact Resistance: 10mΩ max.
- Mates with: FTS, FTS Series



No. of Pos.	Dim. A (mm)	Digi-Key Part No.†	Price Each		
			1	10	100
<b>10µ" (0.25µm) Gold Plating</b>					
4	2.97	SAM1154-02-ND	3.38	3.03	2.50
6	4.24	SAM1154-03-ND	3.51	3.15	2.59
8	5.51	SAM1154-04-ND	3.64	3.26	2.69
10	6.78	SAM1154-05-ND	3.78	3.38	2.78
12	8.05	SAM1154-06-ND	3.91	3.50	2.88
14	9.32	SAM1154-07-ND	4.04	3.61	2.98
16	10.59	SAM1154-08-ND	4.17	3.73	3.07
18	11.86	SAM1154-09-ND	4.30	3.85	3.17
20	13.13	SAM1154-10-ND	4.43	3.97	3.27
22	14.40	SAM1154-11-ND	4.56	4.08	3.36
24	15.67	SAM1154-12-ND	4.69	4.20	3.46
26	16.94	SAM1154-13-ND	4.82	4.32	3.56

**10µ" (0.25µm) Gold on Contact, Matte Tin on Tail**

4	2.97	SAM1155-02-ND	3.11	2.79	2.30
6	4.24	SAM1155-03-ND	3.25	2.91	2.40
8	5.51	SAM1155-04-ND	3.38	3.03	2.50
10	6.78	SAM1155-05-ND	3.51	3.15	2.59
12	8.05	SAM1155-06-ND	3.64	3.26	2.69
14	9.32	SAM1155-07-ND	3.78	3.38	2.78
16	10.59	SAM1155-08-ND	3.91	3.50	2.88
18	11.86	SAM1155-09-ND	4.04	3.61	2.98
20	13.13	SAM1155-10-ND	4.17	3.73	3.07
22	14.40	SAM1155-11-ND	4.30	3.85	3.17
24	15.67	SAM1155-12-ND	4.43	3.97	3.27
26	16.94	SAM1155-13-ND	4.56	4.08	3.36

† More product available online. For pricing and availability, visit our website.

No. of Pos.	Dim. A (mm)	Digi-Key Part No.†	Price Each		
			1	10	100
<b>Gold Flash on Contact, Matte Tin on Tail</b>					
4	2.97	SAM1153-02-ND	2.85	2.55	2.10
6	4.24	SAM1153-03-ND	2.96	2.66	2.19
8	5.51	SAM1153-04-ND	3.09	2.76	2.28
10	6.78	SAM1153-05-ND	3.20	2.87	2.36
12	8.05	SAM1153-06-ND	3.32	2.97	2.45
14	9.32	SAM1153-07-ND	3.43	3.08	2.54
16	10.59	SAM1153-08-ND	3.55	3.18	2.62
18	11.86	SAM1153-09-ND	3.67	3.29	2.71
20	13.13	SAM1153-10-ND	3.79	3.39	2.79
22	14.40	SAM1153-11-ND	3.91	3.50	2.88
24	15.67	SAM1153-12-ND	4.02	3.60	2.97
26	16.94	SAM1153-13-ND	4.14	3.71	3.05

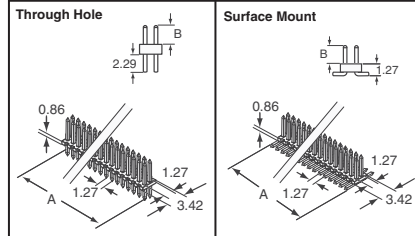
† More product available online. For pricing and availability, visit our website.

**.050" x .050" (1.27mm x 1.27mm) Micro Strips**

**FTS Series**

**Specifications:**

- Insulator Material: Black Liquid Crystal Polymer
- Terminal Material: Phosphor Bronze
- Current Rating: 1.75A @ 80°C ambient
- Operating Temperature: -55°C ~ 125°C
- Plating: 10µ" (0.25µm) Gold on post, Tin on Tail
- Mates with: FFS, CLP, FLE Series



No. of Pos.	Dim. (mm)		Digi-Key Part No.†	Price Each		
	A	B		1	10	100
<b>Through Hole</b>						
<b>Mates with CLP Series</b>						
4	2.54	1.65	SAM1158-02-ND	2.37	2.13	1.75
6	3.81	1.65	SAM1158-03-ND	2.47	2.21	1.82
8	5.08	1.65	SAM1158-04-ND	2.56	2.30	1.90
10	6.35	1.65	SAM1158-05-ND	2.66	2.39	1.97
12	7.62	1.65	SAM1158-06-ND	2.76	2.47	2.04
14	8.89	1.65	SAM1158-07-ND	2.85	2.56	2.11
16	10.16	1.65	SAM1158-08-ND	2.95	2.65	2.18
18	11.43	1.65	SAM1158-09-ND	3.05	2.73	2.25
20	12.70	1.65	SAM1158-10-ND	3.14	2.82	2.32
22	13.97	1.65	SAM1158-11-ND	3.25	2.90	2.39
24	15.24	1.65	SAM1158-12-ND	3.34	2.99	2.46
26	16.51	1.65	SAM1158-13-ND	3.43	3.08	2.54

<b>Mates with FFS Series</b>						
4	2.54	3.05	SAM1156-02-ND	2.37	2.13	1.75
6	3.81	3.05	SAM1156-03-ND	2.47	2.21	1.82
8	5.08	3.05	SAM1156-04-ND	2.56	2.30	1.90
10	6.35	3.05	SAM1156-05-ND	2.66	2.39	1.97
12	7.62	3.05	SAM1156-06-ND	2.76	2.47	2.04
14	8.89	3.05	SAM1156-07-ND	2.85	2.56	2.11
16	10.16	3.05	SAM1156-08-ND	2.95	2.65	2.18
18	11.43	3.05	SAM1156-09-ND	3.05	2.73	2.25
20	12.70	3.05	SAM1156-10-ND	3.14	2.82	2.32
22	13.97	3.05	SAM1156-11-ND	3.25	2.90	2.39
24	15.24	3.05	SAM1156-12-ND	3.34	2.99	2.46
26	16.51	3.05	SAM1156-13-ND	3.43	3.08	2.54

No. of Pos.	Dim. A (mm)	Digi-Key Part No.†	Price Each			
			1	10	100	
<b>Surface Mount</b>						
<b>Mates with CLP Series</b>						
4	2.54	1.65	SAM1159-02-ND	2.74	2.46	2.03
6	3.81	1.65	SAM1159-03-ND	2.85	2.55	2.10
8	5.08	1.65	SAM1159-04-ND	2.95	2.65	2.18
10	6.35	1.65	SAM1159-05-ND	3.06	2.74	2.26
12	7.62	1.65	SAM1159-06-ND	3.16	2.83	2.33
14	8.89	1.65	SAM1159-07-ND	3.26	2.92	2.41
16	10.16	1.65	SAM1159-08-ND	3.37	3.02	2.48
18	11.43	1.65	SAM1159-09-ND	3.47	3.11	2.56
20	12.70	1.65	SAM1159-10-ND	3.57	3.20	2.64
22	13.97	1.65	SAM1159-11-ND	3.67	3.29	2.71
24	15.24	1.65	SAM1159-12-ND	3.78	3.39	2.79
26	16.51	1.65	SAM1159-13-ND	3.88	3.48	2.87

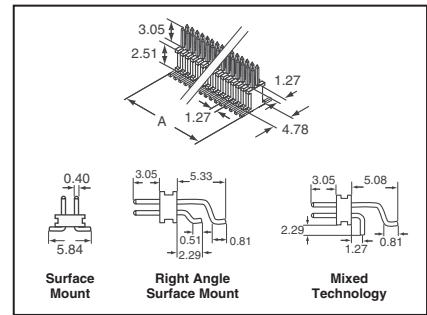
<b>Mates with FFS Series</b>						
4	2.54	3.05	SAM1157-02-ND	2.74	2.46	2.03
6	3.81	3.05	SAM1157-03-ND	2.85	2.55	2.10
8	5.08	3.05	SAM1157-04-ND	2.95	2.65	2.18
10	6.35	3.05	SAM1157-05-ND	3.06	2.74	2.26
12	7.62	3.05	SAM1157-06-ND	3.16	2.83	2.33
14	8.89	3.05	SAM1157-07-ND	3.26	2.92	2.41
16	10.16	3.05	SAM1157-08-ND	3.37	3.02	2.48
18	11.43	3.05	SAM1157-09-ND	3.47	3.11	2.56
20	12.70	3.05	SAM1157-10-ND	3.57	3.20	2.64
22	13.97	3.05	SAM1157-11-ND	3.67	3.29	2.71
24	15.24	3.05	SAM1157-12-ND	3.78	3.39	2.79
26	16.51	3.05	SAM1157-13-ND	3.88	3.48	2.87

† More product available online. For pricing and availability, visit our website.

**.050" (1.27mm) Micro Headers FTSH Series**

**Specifications:**

- Insulator Material: Black Liquid Crystal Polymer
- Terminal Material: Phosphor Bronze
- Plating: 10µ" (0.25µm) Gold on post, Matte Tin on Tail
- Current Rating: 1.75A @ 80°C ambient
- Operating Temperature: -55°C ~ 125°C
- Mates with: FFS, CLP, FLE Series



No. of Pos.	Dim. A (mm)	Digi-Key Part No.†	Price Each		
			1	10	100
<b>Surface Mount</b>					
4	2.54	SAM1161-02-ND	2.74	2.46	2.03
6	3.81	SAM1161-03-ND	2.85	2.55	2.10
8	5.08	SAM1161-04-ND	2.95	2.65	2.18
10	6.35	SAM1161-05-ND	3.06	2.74	2.26
12	7.62	SAM1161-06-ND	3.16	2.83	2.33
14	8.89	SAM1161-07-ND	3.26	2.92	2.41
16	10.16	SAM1161-08-ND	3.37	3.02	2.48
18	11.43	SAM1161-09-ND	3.47	3.11	2.56
20	12.70	SAM1161-10-ND	3.57	3.20	2.64
22	13.97	SAM1161-11-ND	3.67	3.29	2.71
24	15.24	SAM1161-12-ND	3.78	3.39	2.79
26	16.51	SAM1161-13-ND	3.88	3.48	2.87

<b>Right Angle Surface Mount</b>					
4	2.54	SAM1160-02-ND	3.16	2.83	2.33
6	3.81	SAM1160-03-ND	3.28	2.94	2.42
8	5.08	SAM1160-04-ND	3.40	3.05	2.52
10	6.35	SAM1160-05-ND	3.53	3.16	2.61
12	7.62	SAM1160-06-ND	3.66	3.28	2.70
14	8.89	SAM1160-07-ND	3.78	3.39	2.79
16	10.16	SAM1160-08-ND	3.91	3.50	2.88
18	11.43	SAM1160-09-ND	4.03	3.61	2.97
20	12.70	SAM1160-10-ND	4.15	3.72	3.06
22	13.97	SAM1160-11-ND	4.28	3.83	3.16
24	15				