

samtec .040" (1.00mm) Micro Headers FTMH Series (Cont.)

No. of Pos.	Dim. A (mm)	Digi-Key Part No.†	Price Each		
			1	10	100
10	10	SAM1131-05-ND	4.59	4.11	3.38
12	12	SAM1131-06-ND	4.70	4.21	3.47
14	14	SAM1131-07-ND	4.82	4.32	3.56
16	16	SAM1131-08-ND	4.94	4.42	3.64
18	18	SAM1131-09-ND	5.05	4.53	3.73
20	20	SAM1131-10-ND	5.18	4.63	3.82
22	22	SAM1131-11-ND	5.29	4.74	3.90
24	24	SAM1131-12-ND	5.41	4.84	3.99

Dual Row, Right Angle

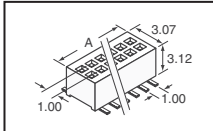
2	2	SAM1130-01-ND	5.39	4.83	3.98
4	4	SAM1130-02-ND	5.55	4.97	4.09
6	6	SAM1130-03-ND	5.70	5.10	4.20
8	8	SAM1130-04-ND	5.85	5.24	4.31
10	10	SAM1130-05-ND	6.00	5.37	4.43
12	12	SAM1130-06-ND	6.15	5.51	4.54
14	14	SAM1130-07-ND	6.30	5.64	4.65
16	16	SAM1130-08-ND	6.45	5.78	4.76
18	18	SAM1130-09-ND	6.61	5.92	4.87
20	20	SAM1130-10-ND	6.76	6.05	4.99
22	22	SAM1130-11-ND	6.91	6.19	5.10
24	24	SAM1130-12-ND	7.06	6.32	5.21

† More product available online. For pricing and availability, visit our website.

.040" (1.00mm) Standard Sockets MLE Series

Specifications:

- Insulator Material: Black Liquid Crystal Polymer
- Contact Material: Beryllium Copper
- Operating Temperature: -55°C ~ 125°C
- Plating: Gold over 10µ" (0.25µm) Nickel
- Mates with: FTMH Series



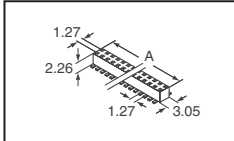
No. of Pos.	Dim. A (mm)	Digi-Key Part No.†	Price Each		
			1	10	100
2	1.2	SAM1132-01-ND	5.15	4.61	3.80
4	2.2	SAM1132-02-ND	5.30	4.74	3.91
6	3.2	SAM1132-03-ND	5.45	4.87	4.01
8	4.2	SAM1132-04-ND	5.59	5.00	4.12
10	5.2	SAM1132-05-ND	5.73	5.13	4.23
12	6.2	SAM1132-06-ND	5.87	5.26	4.33
14	7.2	SAM1132-07-ND	6.02	5.39	4.44
16	8.2	SAM1132-08-ND	6.16	5.52	4.55
18	9.2	SAM1132-09-ND	6.31	5.65	4.65
20	10.2	SAM1132-10-ND	6.45	5.78	4.76
22	11.2	SAM1132-11-ND	6.60	5.91	4.87
24	12.2	SAM1132-12-ND	6.74	6.04	4.98

† More product available online. For pricing and availability, visit our website.

.050" (1.27mm) Low Profile Sockets CLP Series

Specifications:

- Insulator Material: Black Liquid Crystal Polymer
- Contact Material: Phosphor Bronze
- Current Rating: 1.75A @ 80°C ambient
- Operating Temperature: -55°C ~ 125°C
- Contact Resistance: 10mΩ max.
- Mates with: FTS Series



No. of Pos.	Dim. A (mm)	Digi-Key Part No.†	Price Each		
			1	10	100
10µ" (0.25µm) Gold Plating					
4	2.97	SAM1154-02-ND	3.38	3.03	2.50
6	4.24	SAM1154-03-ND	3.51	3.15	2.59
8	5.51	SAM1154-04-ND	3.64	3.26	2.69
10	6.78	SAM1154-05-ND	3.78	3.38	2.78
12	8.05	SAM1154-06-ND	3.91	3.50	2.88
14	9.32	SAM1154-07-ND	4.04	3.61	2.98
16	10.59	SAM1154-08-ND	4.17	3.73	3.07
18	11.86	SAM1154-09-ND	4.30	3.85	3.17
20	13.13	SAM1154-10-ND	4.43	3.97	3.27
22	14.40	SAM1154-11-ND	4.56	4.08	3.36
24	15.67	SAM1154-12-ND	4.69	4.20	3.46
26	16.94	SAM1154-13-ND	4.82	4.32	3.56

10µ" (0.25µm) Gold on Contact, Matte Tin on Tail

4	2.97	SAM1155-02-ND	3.11	2.79	2.30
6	4.24	SAM1155-03-ND	3.25	2.91	2.40
8	5.51	SAM1155-04-ND	3.38	3.03	2.50
10	6.78	SAM1155-05-ND	3.51	3.15	2.59
12	8.05	SAM1155-06-ND	3.64	3.26	2.69
14	9.32	SAM1155-07-ND	3.78	3.38	2.78
16	10.59	SAM1155-08-ND	3.91	3.50	2.88
18	11.86	SAM1155-09-ND	4.04	3.61	2.98
20	13.13	SAM1155-10-ND	4.17	3.73	3.07
22	14.40	SAM1155-11-ND	4.30	3.85	3.17
24	15.67	SAM1155-12-ND	4.43	3.97	3.27
26	16.94	SAM1155-13-ND	4.56	4.08	3.36

† More product available online. For pricing and availability, visit our website.

No. of Pos.	Dim. A (mm)	Digi-Key Part No.†	Price Each		
			1	10	100
Gold Flash on Contact, Matte Tin on Tail					
4	2.97	SAM1153-02-ND	2.85	2.55	2.10
6	4.24	SAM1153-03-ND	2.96	2.66	2.19
8	5.51	SAM1153-04-ND	3.09	2.76	2.28
10	6.78	SAM1153-05-ND	3.20	2.87	2.36
12	8.05	SAM1153-06-ND	3.32	2.97	2.45
14	9.32	SAM1153-07-ND	3.43	3.08	2.54
16	10.59	SAM1153-08-ND	3.55	3.18	2.62
18	11.86	SAM1153-09-ND	3.67	3.29	2.71
20	13.13	SAM1153-10-ND	3.79	3.39	2.79
22	14.40	SAM1153-11-ND	3.91	3.50	2.88
24	15.67	SAM1153-12-ND	4.02	3.60	2.97
26	16.94	SAM1153-13-ND	4.14	3.71	3.05

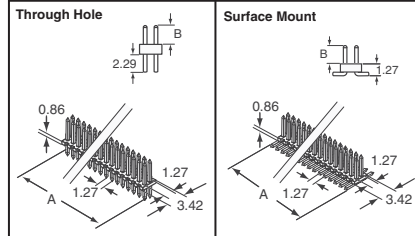
† More product available online. For pricing and availability, visit our website.

.050" x .050" (1.27mm x 1.27mm) Micro Strips

FTS Series

Specifications:

- Insulator Material: Black Liquid Crystal Polymer
- Terminal Material: Phosphor Bronze
- Current Rating: 1.75A @ 80°C ambient
- Operating Temperature: -55°C ~ 125°C
- Plating: 10µ" (0.25µm) Gold on post, Tin on Tail
- Mates with: FFSD, CLP, FLE Series



No. of Pos.	Dim. (mm)	Digi-Key Part No.†	Price Each			
			1	10	100	
Through Hole						
Mates with CLP Series						
4	2.54	1.65	SAM1158-02-ND	2.37	2.13	1.75
6	3.81	1.65	SAM1158-03-ND	2.47	2.21	1.82
8	5.08	1.65	SAM1158-04-ND	2.56	2.30	1.90
10	6.35	1.65	SAM1158-05-ND	2.66	2.39	1.97
12	7.62	1.65	SAM1158-06-ND	2.76	2.47	2.04
14	8.89	1.65	SAM1158-07-ND	2.85	2.56	2.11
16	10.16	1.65	SAM1158-08-ND	2.95	2.65	2.18
18	11.43	1.65	SAM1158-09-ND	3.05	2.73	2.25
20	12.70	1.65	SAM1158-10-ND	3.14	2.82	2.32
22	13.97	1.65	SAM1158-11-ND	3.25	2.90	2.39
24	15.24	1.65	SAM1158-12-ND	3.34	2.99	2.46
26	16.51	1.65	SAM1158-13-ND	3.43	3.08	2.54

Mates with FFSD Series						
4	2.54	3.05	SAM1156-02-ND	2.37	2.13	1.75
6	3.81	3.05	SAM1156-03-ND	2.47	2.21	1.82
8	5.08	3.05	SAM1156-04-ND	2.56	2.30	1.90
10	6.35	3.05	SAM1156-05-ND	2.66	2.39	1.97
12	7.62	3.05	SAM1156-06-ND	2.76	2.47	2.04
14	8.89	3.05	SAM1156-07-ND	2.85	2.56	2.11
16	10.16	3.05	SAM1156-08-ND	2.95	2.65	2.18
18	11.43	3.05	SAM1156-09-ND	3.05	2.73	2.25
20	12.70	3.05	SAM1156-10-ND	3.14	2.82	2.32
22	13.97	3.05	SAM1156-11-ND	3.25	2.90	2.39
24	15.24	3.05	SAM1156-12-ND	3.34	2.99	2.46
26	16.51	3.05	SAM1156-13-ND	3.43	3.08	2.54

No. of Pos.	Dim. A (mm)	Digi-Key Part No.†	Price Each			
			1	10	100	
Surface Mount						
Mates with CLP Series						
4	2.54	1.65	SAM1159-02-ND	2.74	2.46	2.03
6	3.81	1.65	SAM1159-03-ND	2.85	2.55	2.10
8	5.08	1.65	SAM1159-04-ND	2.95	2.65	2.18
10	6.35	1.65	SAM1159-05-ND	3.06	2.74	2.26
12	7.62	1.65	SAM1159-06-ND	3.16	2.83	2.33
14	8.89	1.65	SAM1159-07-ND	3.26	2.92	2.41
16	10.16	1.65	SAM1159-08-ND	3.37	3.02	2.48
18	11.43	1.65	SAM1159-09-ND	3.47	3.11	2.56
20	12.70	1.65	SAM1159-10-ND	3.57	3.20	2.64
22	13.97	1.65	SAM1159-11-ND	3.67	3.29	2.71
24	15.24	1.65	SAM1159-12-ND	3.78	3.39	2.79
26	16.51	1.65	SAM1159-13-ND	3.88	3.48	2.87

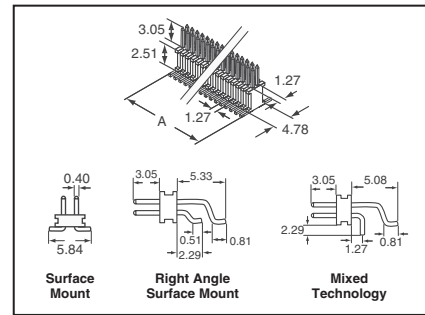
Mates with FFSD Series						
4	2.54	3.05	SAM1157-02-ND	2.74	2.46	2.03
6	3.81	3.05	SAM1157-03-ND	2.85	2.55	2.10
8	5.08	3.05	SAM1157-04-ND	2.95	2.65	2.18
10	6.35	3.05	SAM1157-05-ND	3.06	2.74	2.26
12	7.62	3.05	SAM1157-06-ND	3.16	2.83	2.33
14	8.89	3.05	SAM1157-07-ND	3.26	2.92	2.41
16	10.16	3.05	SAM1157-08-ND	3.37	3.02	2.48
18	11.43	3.05	SAM1157-09-ND	3.47	3.11	2.56
20	12.70	3.05	SAM1157-10-ND	3.57	3.20	2.64
22	13.97	3.05	SAM1157-11-ND	3.67	3.29	2.71
24	15.24	3.05	SAM1157-12-ND	3.78	3.39	2.79
26	16.51	3.05	SAM1157-13-ND	3.88	3.48	2.87

† More product available online. For pricing and availability, visit our website.

.050" (1.27mm) Micro Headers FTSH Series

Specifications:

- Insulator Material: Black Liquid Crystal Polymer
- Terminal Material: Phosphor Bronze
- Plating: 10µ" (0.25µm) Gold on post, Matte Tin on Tail
- Current Rating: 1.75A @ 80°C ambient
- Operating Temperature: -55°C ~ 125°C
- Mates with: FFSD, CLP, FLE Series



No. of Pos.	Dim. A (mm)	Digi-Key Part No.†	Price Each		
			1	10	100
Surface Mount					
4	2.54	SAM1161-02-ND	2.74	2.46	2.03
6	3.81	SAM1161-03-ND	2.85	2.55	2.10
8	5.08	SAM1161-04-ND	2.95	2.65	2.18
10	6.35	SAM1161-05-ND	3.06	2.74	2.26
12	7.62	SAM1161-06-ND	3.16	2.83	2.33
14	8.89	SAM1161-07-ND	3.26	2.92	2.41
16	10.16	SAM1161-08-ND	3.37	3.02	2.48
18	11.43	SAM1161-09-ND	3.47	3.11	2.56
20	12.70	SAM1161-10-ND	3.57	3.20	2.64
22	13.97	SAM1161-11-ND	3.67	3.29	2.71
24	15.24	SAM1161-12-ND	3.78	3.39	2.79
26	16.51	SAM1161-13-ND	3.88	3.48	2.87

Right Angle Surface Mount					
4	2.54	SAM1160-02-ND	3.16	2.83	2.33
6	3.81	SAM1160-03-ND	3.28	2.94	2.42
8	5.08	SAM1160-04-ND	3.40	3.05	2.52
10	6.35	SAM1160-05-ND	3.53	3.16	2.61
12	7.62	SAM1160-06-ND	3.66	3.28	2.70
14	8.89	SAM1160-07-ND	3.78	3.39	2.79
16	10.16	SAM1160-08-ND	3.91	3.50	2.88
18	11.43	SAM1160-09-ND	4.03	3.61	2.97
20	12.70	SAM1160-10-ND	4.15	3.72	3.06</



.050" (1.27mm) Sockets and Headers SFML, TFML and TFM Series



Specifications: • Insulator Material: Black Liquid Crystal Polymer • Contact Material: Phosphor Bronze • Plating: Gold over 50µ" (1.27µm) Nickel • Current Rating: 2A @ 80°C ambient • Voltage Rating: 350VAC • Operating Temperature Range: -55°C - 125°C • Socket Contact Resistance: 15mΩ max • Socket Insertion Depth: .120" (3.05mm) to .160" (4.06mm) • Socket Insertion Force: 2.5oz (0.69N) average (single contact only) • Header Locking Features: 10 - 20 (one latch), 25 and 30 (two latches), 35 - 50 (three latches) • Socket Max Cycles: 100 with 10µ" (0.25µm) Gold • SFML Series Mates with TFML Series • TFML Series Mates with SFML Series

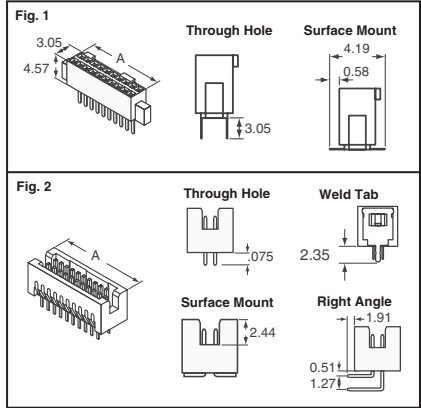


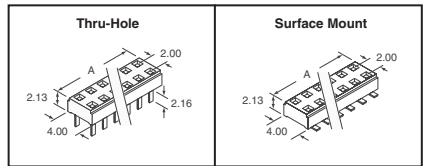
Fig.	No. of Pos.	Dim. A (mm)	Digi-Key Part No.	Price Each		
				1	10	100
Sockets						
Through Hole — SFML						
1	20	16.64	SAM8241-ND	2.99	2.07	1.69
	30	22.99	SAM8243-ND	3.59	2.55	2.10
	40	29.34	SAM8245-ND	4.51	3.30	2.69
	50	35.69	SAM8247-ND	5.43	4.02	3.33
	60	42.04	SAM8249-ND	6.26	—	—
	70	48.39	SAM8251-ND	6.64	4.98	4.15
	80	54.74	SAM8253-ND	7.27	5.53	4.74
	90	61.09	SAM8255-ND	8.17	6.22	5.33
	100	67.44	SAM8257-ND	8.89	6.84	5.73
	20	16.64	SAM8710-ND	3.54	2.51	2.06
30	22.99	SAM8711-ND	4.25	3.11	2.54	
40	29.34	SAM8712-ND	5.43	4.02	3.33	
50	35.69	SAM8713-ND	6.52	4.89	4.08	
60	42.04	SAM8714-ND	7.50	5.71	4.89	
70	48.39	SAM8715-ND	7.95	6.05	5.19	
80	54.74	SAM8716-ND	8.89	6.84	5.73	
90	61.09	SAM8717-ND	9.77	7.69	6.45	
100	67.44	SAM8718-ND	10.85	8.53	7.15	
Surface Mount — SFML						
1	20	16.64	SAM8242-ND	3.11	2.15	1.76
	30	22.99	SAM8244-ND	3.75	2.67	2.19
	40	29.34	SAM8246-ND	4.54	3.36	2.78
	50	35.69	SAM8248-ND	5.66	4.08	3.40
	60	42.04	SAM8250-ND	6.53	4.91	4.09
	70	48.39	SAM8252-ND	6.92	5.19	4.33
	80	54.74	SAM8254-ND	7.58	5.77	4.95
	90	61.09	SAM8256-ND	8.35	6.42	5.38
	100	67.44	SAM8258-ND	9.26	7.13	5.97
	20	16.64	SAM8719-ND	3.70	2.62	2.15
30	22.99	SAM8720-ND	4.41	3.23	2.64	
40	29.34	SAM8721-ND	5.66	4.08	3.40	
50	35.69	SAM8722-ND	6.80	5.10	4.25	
60	42.04	SAM8723-ND	7.81	5.95	5.10	
70	48.39	SAM8724-ND	8.28	6.31	5.41	
80	54.74	SAM8725-ND	9.26	7.13	5.97	
90	61.09	SAM8726-ND	10.19	8.02	6.72	
100	67.44	SAM8727-ND	11.33	8.75	7.47	
Headers						
Through Hole — TFML						
2	20	15.88	SAM8259-ND	2.93	2.02	1.65
	30	22.23	SAM8262-ND	3.51	2.50	2.05
	40	28.58	SAM8268-ND	5.32	3.94	3.26
	50	34.93	SAM8271-ND	6.11	4.59	3.83
	60	41.28	SAM8274-ND	7.11	5.42	4.64
	90	60.33	SAM8277-ND	8.00	6.09	5.22
100	66.68	SAM8280-ND	8.69	6.69	5.61	

Fig.	No. of Pos.	Dim. A (mm)	Digi-Key Part No.	Price Each		
				1	10	100
Through Hole — Right Angle TFML						
2	20	15.88	SAM8260-ND	3.09	2.16	1.77
	30	22.23	SAM8263-ND	3.78	2.74	2.25
	40	28.58	SAM8266-ND	4.68	3.47	2.87
	50	34.93	SAM8269-ND	5.84	4.21	3.51
	60	41.28	SAM8272-ND	6.72	5.05	4.21
	80	53.98	SAM8275-ND	7.81	—	—
90	60.33	SAM8278-ND	8.61	6.62	5.55	
100	66.68	SAM8281-ND	9.55	7.35	6.16	
Through Hole TFM with Weld Tabs						
2	10	9.53	SAM8698-ND	2.01	1.37	1.11
	20	15.88	SAM8699-ND	3.15	2.20	1.81
	30	22.23	SAM8700-ND	3.75	2.71	2.22
	40	28.58	SAM8701-ND	4.65	3.40	2.77
	50	34.93	SAM8702-ND	5.48	3.95	3.29
	60	41.28	SAM8703-ND	6.22	4.67	3.89
Surface Mount — TFML						
2	20	15.88	SAM8261-ND	3.09	2.16	1.77
	30	22.23	SAM8264-ND	3.78	2.74	2.25
	40	28.58	SAM8267-ND	4.68	3.47	2.87
	50	34.93	SAM8270-ND	5.84	4.21	3.51
	60	41.28	SAM8273-ND	6.72	5.05	4.21
	80	53.98	SAM8276-ND	7.81	5.95	5.10
90	60.33	SAM8279-ND	8.61	6.62	5.55	
Surface Mount TFM with Weld Tabs						
2	10	9.53	SAM8704-ND	2.16	1.47	1.15
	20	15.88	SAM8705-ND	3.43	2.40	1.97
	30	22.23	SAM8706-ND	3.91	2.86	2.33
	40	28.58	SAM8707-ND	4.86	3.60	2.98
	50	34.93	SAM8708-ND	5.74	4.30	3.59
	60	41.28	SAM8709-ND	6.80	5.10	4.25

.0787" (2.00mm) Low Profile Sockets CLT Series



Specifications: • Insulator Material: Black Liquid Crystal Polymer • Contact Material: Phosphor Bronze • Plating: 10µ" Gold over 50µ" (1.27µm) Nickel • Current Rating: 2A @ 80°C ambient • Operating Temperature Range: -55°C - 125°C • Contact Resistance: 10mΩ max • Mates with: TMM Series



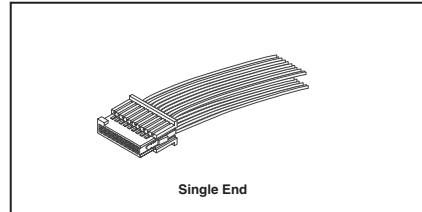
No. of Pos.	Dim. A (mm)	Digi-Key Part No.	Price Each		
			1	10	100
Through Hole — Gold Plating					
4	4	SAM1163-02-ND	3.01	2.70	2.22
6	6	SAM1163-03-ND	3.14	2.81	2.32
8	8	SAM1163-04-ND	3.27	2.93	2.41
10	10	SAM1163-05-ND	3.40	3.05	2.51
12	12	SAM1163-06-ND	3.53	3.16	2.61
14	14	SAM1163-07-ND	3.66	3.28	2.70
16	16	SAM1163-08-ND	3.79	3.40	2.80
18	18	SAM1163-09-ND	3.93	3.52	2.90
20	20	SAM1163-10-ND	4.06	3.63	2.99
22	22	SAM1163-11-ND	4.19	3.75	3.09
24	24	SAM1163-12-ND	4.32	3.87	3.19
26	26	SAM1163-13-ND	4.45	3.99	3.28
Surface Mount — Gold Plating					
4	4	SAM1165-02-ND	3.01	2.70	2.22
6	6	SAM1165-03-ND	3.14	2.81	2.32
8	8	SAM1165-04-ND	3.27	2.93	2.41
10	10	SAM1165-05-ND	3.40	3.05	2.51
12	12	SAM1165-06-ND	3.53	3.16	2.61
14	14	SAM1165-07-ND	3.66	3.28	2.70
16	16	SAM1165-08-ND	3.79	3.40	2.80
18	18	SAM1165-09-ND	3.93	3.52	2.90
20	20	SAM1165-10-ND	4.06	3.63	2.99
22	22	SAM1165-11-ND	4.19	3.75	3.09
24	24	SAM1165-12-ND	4.32	3.87	3.19
26	26	SAM1165-13-ND	4.45	3.99	3.28
Through Hole — Gold on Contact, Matte Tin on Tail					
4	4	SAM1164-02-ND	3.07	2.75	2.27
6	6	SAM1164-03-ND	3.19	2.86	2.36
8	8	SAM1164-04-ND	3.32	2.97	2.45
10	10	SAM1164-05-ND	3.44	3.08	2.54

No. of Pos.	Dim. A (mm)	Digi-Key Part No.	Price Each		
			1	10	100
12	12	SAM1164-06-ND	3.56	3.19	2.63
14	14	SAM1164-07-ND	3.69	3.31	2.72
16	16	SAM1164-08-ND	3.81	3.42	2.82
18	18	SAM1164-09-ND	3.93	3.53	2.91
20	20	SAM1164-10-ND	4.07	3.64	3.00
22	22	SAM1164-11-ND	4.19	3.75	3.09
24	24	SAM1164-12-ND	4.31	3.86	3.18
26	26	SAM1164-13-ND	4.44	3.97	3.27
Surface Mount — Gold on Contact, Matte Tin on Tail					
4	4	SAM1166-02-ND	3.07	2.75	2.27
6	6	SAM1166-03-ND	3.19	2.86	2.36
8	8	SAM1166-04-ND	3.32	2.97	2.45
10	10	SAM1166-05-ND	3.44	3.08	2.54
12	12	SAM1166-06-ND	3.56	3.19	2.63
14	14	SAM1166-07-ND	3.69	3.31	2.72
16	16	SAM1166-08-ND	3.81	3.42	2.82
18	18	SAM1166-09-ND	3.93	3.53	2.91
20	20	SAM1166-10-ND	4.07	3.64	3.00
22	22	SAM1166-11-ND	4.19	3.75	3.09
24	24	SAM1166-12-ND	4.31	3.86	3.18
26	26	SAM1166-13-ND	4.44	3.97	3.27

.050" (1.27mm) Socket Cable Assembly SFSD Series



Specifications: • Insulator Material: Black LCP • Contact Material: BeCu • Plating: Gold over 50µ" (1.27µm) Nickel • Operating Temperature Range: -55°C - 80°C • Mates with: TFM Series



No. of Pos.	Cable Length	Digi-Key Part No.	Price Each		
			1	10	100
Single End					
10	5"	SAM8662-ND	6.57	4.93	4.11
20		SAM8663-ND	9.45	7.26	6.09
30		SAM8664-ND	12.47	9.64	8.08
40		SAM8665-ND	15.04	11.82	10.21
50		SAM8666-ND	17.15	13.98	12.01
60	SAM8667-ND	20.30	16.55	14.21	
10	10"	SAM8668-ND	7.38	5.62	4.82
20		SAM8669-ND	11.31	8.74	7.46
30		SAM8670-ND	14.88	13.82	10.10
40		SAM8671-ND	18.09	14.75	12.67
50		SAM8672-ND	21.32	17.50	15.31
60		SAM8673-ND	25.32	20.77	18.18
Double End, Notch up, Straight					
20	5"	SAM8674-ND	14.29	11.23	9.70
30		SAM8682-ND	18.18	14.82	12.73
40		SAM8690-ND	22.27	18.28	15.99
20	10"	SAM8678-ND	15.49	12.63	10.85
30		SAM8686-ND	21.01	17.13	14.71
40		SAM8694-ND	25.95	21.30	18.64
Double End, Notch down, Straight					
20	5"	SAM8675-ND	14.29	11.23	9.70
30		SAM8683-ND	18.18	14.82	12.73
40		SAM8691-ND	22.27	18.28	15.99
20	10"	SAM8679-ND	15.49	12.63	10.85
30		SAM8687-ND	21.01	17.13	14.71
40		SAM8695-ND	25.95	21.30	18.64
Double End, Notch up, Crossed					
20	5"	SAM8676-ND	14.29	11.23	9.70
30		SAM8684-ND	18.18	14.82	12.73
40		SAM8692-ND	22.27	18.28	15.99