

PM1 Series 0.8mm Connectors



Specifications: • Contact Resistance: 70mΩ maximum • Dielectric Withstanding Voltage: AC 250Vr.m.s per minute
• Operating Temperature: -40°C - 85°C • Rated Current: 0.5A per contact • Insulation Resistance: 100MΩ minimum
• Rated Voltage: AC125Vr.m.s
Materials and Finishes: • Base Insulator: LCP filled with heat-resistant plastic glass, UL 94V-0, Black; • Contact: Copper Alloy/Tin plating; Terminal area: Gold plating over Nickel • Reinforcement: Copper Alloy, Tin type plating
Dim. in mm

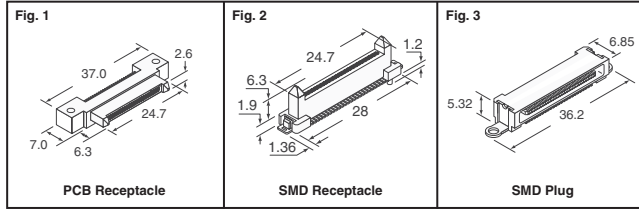


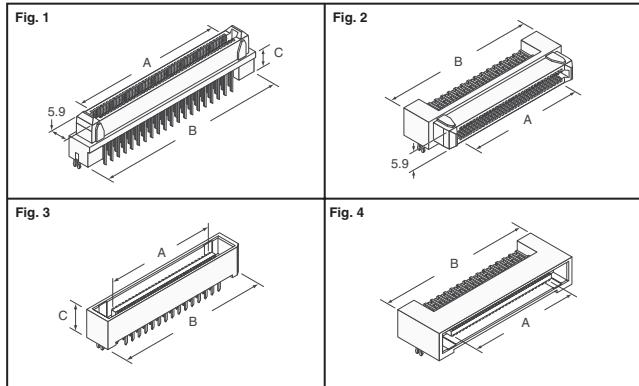
Fig.	No. of Positions	Digi-Key Part No.	Price Each	JAE Part No.		
			1	25	100	
1	50	670-1090-ND	2.66	1.55	1.42	PM1F050N1AE
		670-1091-ND	4.18	2.44	2.24	PM1F050NSA
2	50	670-1092-ND	4.68	3.19	2.81	PM1F050V1AE
		670-1093-ND	4.46	2.54	2.39	PM1F050VDA
3	50	670-1094-ND	2.81	1.64	1.50	PM1M050H1AE
		670-1095-1-ND†	4.69	3.19	2.82	PM1M050HDAR1000
			2495.06/1.000			PM1M050HDAR1000

† Cut Tape ‡ Tape and Reel

TX24 and TX25 Series 1.27mm Connectors



Specifications: • Rated Current: 1A • Dielectric Withstanding Voltage: 500VACr.m.s per minute • Insulation Resistance: 100MΩ minimum • Contact Resistance: 40mΩ maximum • Operating Temperature: -40°C - 80°C • Applicable PCB Thickness: 1.6 mm
Materials and Finishes: • Insulator: Glass-filled PBT (UL 94V-0, Black) • Hook Pin: Copper Alloy/Tin Plating • Contact: Copper Alloy; Connection area: Gold plating, 0.1 μm minimum over Nickel • Terminal area: Tin plating



No. of Positions	Dimensions (mm)			Digi-Key Part No.	Price Each	JAE Part No.	
TX24 Series							
Fig. 1 — Receptacle, Straight - Thru Hole							
30	17.78	31.7	2.8	670-1375-ND	1.19	.67	53 TX24-30R-6ST-H1E
			670-1376-ND	1.13	.64	50 TX24-30R-6ST-N1E	
			6.8	670-1371-ND	1.19	.67	53 TX24-30R-10ST-H1E
			670-1372-ND	1.13	.64	50 TX24-30R-10ST-N1E	
			8.8	670-1373-ND	1.19	.67	53 TX24-30R-12ST-H1E
			670-1374-ND	1.13	.64	50 TX24-30R-12ST-N1E	
40	24.13	38.0	2.8	670-1384-ND	1.35	.77	66 TX24-40R-6ST-H1E
			670-1385-ND	1.27	.73	64 TX24-40R-6ST-N1E	
			6.8	670-1380-ND	1.35	.77	66 TX24-40R-10ST-H1E
			670-1381-ND	1.27	.73	64 TX24-40R-10ST-N1E	
			8.8	670-1382-ND	1.35	.77	66 TX24-40R-12ST-H1E
			670-1383-ND	1.27	.73	64 TX24-40R-12ST-N1E	
50	30.48	44.4	2.8	670-1392-ND	1.66	.95	81 TX24-50R-6ST-H1E
			670-1393-ND	1.58	.91	77 TX24-50R-6ST-N1E	
			6.8	670-1388-ND	1.66	.95	81 TX24-50R-10ST-H1E
			670-1389-ND	1.58	.91	77 TX24-50R-10ST-N1E	
			8.8	670-1390-ND	1.66	.95	81 TX24-50R-12ST-H1E
			670-1391-ND	1.58	.91	77 TX24-50R-12ST-N1E	
60	36.83	50.7	2.8	670-1401-ND	1.78	1.02	87 TX24-60R-6ST-E1E
			670-1403-ND	1.73	.99	84 TX24-60R-6ST-N1E	
			670-1402-ND	1.78	1.02	87 TX24-60R-6ST-H1E	
			6.8	670-1396-ND	1.78	1.02	87 TX24-60R-10ST-H1E
			670-1397-ND	1.73	.99	84 TX24-60R-10ST-N1E	
			8.8	670-1398-ND	1.78	1.02	87 TX24-60R-12ST-E1E
670-1399-ND	1.78	1.02	87 TX24-60R-12ST-H1E				
670-1400-ND	1.73	.99	84 TX24-60R-12ST-N1E				

No. of Positions	Dimensions (mm)			Digi-Key Part No.	Price Each	JAE Part No.	
TX25 Series							
Fig. 2 — Receptacle, Right Angle - Thru Hole							
80	49.53	63.4	2.8	670-1413-ND	2.24	1.28	1.09 TX24-80R-6ST-E1E
			670-1414-ND	2.24	1.28	1.09 TX24-80R-6ST-H1E	
			670-1415-ND	2.16	1.24	1.05 TX24-80R-6ST-N1E	
			6.8	670-1407-ND	2.08	1.20	1.02 TX24-80R-10ST-E1E
			670-1408-ND	2.24	1.28	1.09 TX24-80R-10ST-H1E	
			670-1409-ND	2.16	1.24	1.05 TX24-80R-10ST-N1E	
100	62.23	76.1	2.8	670-1410-ND	2.24	1.28	1.09 TX24-80R-12ST-E1E
			670-1411-ND	2.24	1.28	1.09 TX24-80R-12ST-H1E	
			670-1412-ND	2.16	1.24	1.05 TX24-80R-12ST-N1E	
			2.8	670-1362-ND	2.18	1.31	1.17 TX24-100R-6ST-E1E
			670-1363-ND	2.18	1.31	1.17 TX24-100R-6ST-H1E	
			670-1364-ND	2.47	1.41	1.20 TX24-100R-6ST-N1E	
120	74.93	88.8	2.8	670-1356-ND	2.18	1.31	1.17 TX24-100R-10ST-E1E
			670-1357-ND	2.18	1.31	1.17 TX24-100R-10ST-H1E	
			670-1358-ND	2.47	1.41	1.20 TX24-100R-10ST-N1E	
			2.8	670-1359-ND	2.18	1.31	1.17 TX24-100R-12ST-E1E
			670-1360-ND	2.18	1.31	1.17 TX24-100R-12ST-H1E	
			670-1361-ND	2.47	1.41	1.20 TX24-100R-12ST-N1E	
140	90.17	104.04	2.8	670-1367-ND	2.18	1.31	1.17 TX24-120R-6ST-E1E
			670-1368-ND	2.42	1.46	1.29 TX24-120R-6ST-H1E	

No. of Positions	Dimensions (mm)			Digi-Key Part No.	Price Each	JAE Part No.	
TX25 Series							
Fig. 3 — Plug, Straight - Thru Hole							
30	17.78	31.7	—	670-1377-ND	2.08	1.20	1.02 TX24-30R-LT-H1E
			—	670-1378-ND	1.19	.67	53 TX24-30R-LT-N1E
			—	670-1379-ND	1.13	.64	50 TX24-30R-LT-N1E
40	24.13	38.0	—	670-1386-ND	1.35	.77	66 TX24-40R-LT-H1E
			—	670-1387-ND	1.27	1.02	89 TX24-40R-LT-N1E
50	30.48	44.4	—	670-1394-ND	1.66	.95	81 TX24-50R-LT-H1E
			—	670-1395-ND	1.58	.91	77 TX24-50R-LT-N1E
60	36.83	50.7	—	670-1405-ND	1.78	1.02	87 TX24-60R-LT-H1E
			—	670-1406-ND	1.73	.99	84 TX24-60R-LT-N1E
80	49.53	63.4	—	670-1416-ND	2.24	1.28	1.09 TX24-80R-LT-H1E
			—	670-1417-ND	2.16	1.24	1.05 TX24-80R-LT-N1E
100	62.23	76.1	—	670-1365-ND	2.18	1.31	1.17 TX24-100R-LT-H1E
			—	670-1366-ND	2.47	1.41	1.20 TX24-100R-LT-N1E
120	74.93	88.8	—	670-1369-ND	2.81	1.64	1.50 TX24-120R-LT-H1E
			—	670-1370-ND	4.60	2.61	2.46 TX24-140R-LT-H1E

No. of Positions	Dimensions (mm)			Digi-Key Part No.	Price Each	JAE Part No.	
TX25 Series							
Fig. 4 — Plug, Right Angle - Thru Hole							
30	17.78	31.7	9.2	670-1434-ND	1.19	.67	53 TX25-30P-6ST-H1E
			670-1435-ND	1.13	.64	50 TX25-30P-6ST-N1E	
			11.2	670-1436-ND	1.19	.67	53 TX25-30P-8ST-H1E
			670-1437-ND	1.16	.66	51 TX25-30P-8ST-N1E	
			15.2	670-1432-ND	1.19	.67	53 TX25-30P-12ST-H1E
			670-1433-ND	1.13	.64	50 TX25-30P-12ST-N1E	
40	24.13	38.0	9.2	670-1442-ND	1.35	.77	66 TX25-40P-6ST-E1E
			670-1443-ND	1.35	.77	66 TX25-40P-6ST-H1E	
			670-1444-ND	1.27	.73	64 TX25-40P-6ST-N1E	
			11.2	670-1445-ND	1.35	.77	66 TX25-40P-8ST-E1E
			670-1446-ND	1.35	.77	66 TX25-40P-8ST-H1E	
			670-1447-ND	1.27	.73	64 TX25-40P-8ST-N1E	
50	30.48	44.4	15.2	670-1440-ND	1.35	.77	66 TX25-40P-12ST-H1E
			670-1441-ND	1.27	.73	64 TX25-40P-12ST-N1E	
			9.2	670-1451-ND	1.66	.95	81 TX25-50P-6ST-E1E
			670-1452-ND	1.66	.95	81 TX25-50P-6ST-H1E	
			670-1453-ND	1.58	.91	77 TX25-50P-6ST-N1E	
			11.2	670-1454-ND	1.66	.95	81 TX25-50P-8ST-H1E
60	36.83	50.7	11.2	670-1670-ND	1.58	.91	77 TX25-60P-8ST-N1E
			15.2	670-1449-ND	1.66	.95	81 TX25-50P-12ST-H1E
			670-1450-ND	1.58	.91	77 TX25-50P-12ST-N1E	
			9.2	670-1459-ND	1.76	1.01	86 TX25-60P-6ST-E1E
			670-1460-ND	1.76	1.01	86 TX25-60P-6ST-H1E	
			670-1461-ND	1.73	.99	84 TX25-60P-6ST-N1E	
80	49.53	63.4	11.2	670-1462-ND	1.76	1.01	86 TX25-60P-8ST-E1E
			670-1463-ND	1.76	1.01	86 TX25-60P-8ST-H1E	
			670-1464-ND	1.73	.99	84 TX25-60P-8ST-N1E	
			15.2	670-1457-ND	1.76	1.01	86 TX25-60P-12ST-H1E
			670-1458-ND	1.73	.99	84 TX25-60P-12ST-N1E	
			9.2	670-1470-ND	2.24	1.28	1.09 TX25-80P-6ST-E1E
100	62.23	76.1	9.2	670-1471-ND	2.16	1.24	1.05 TX25-80P-6ST-N1E
			11.2	670-1472-ND	2.24	1.28	1.09 TX25-80P-8ST-E1E
			670-1473-ND	2.16	1.24	1.05 TX25-80P-8ST-N1E	
			15.2	670-1467-ND	2.24	1.28	1.09 TX25-80P-12ST-E1E
			670-1468-ND	2.24	1.28	1.09 TX25-80P-12ST-H1E	
			670-1469-ND	2.16	1.24	1.05 TX25-80P-12ST-N1E	
120	74.93	88.8	9.2	670-1420-ND	2.18	1.31	1.17 TX25-100P-6ST-E1E
			670-1421-ND	2.18	1.31	1.17 TX25-100P-6ST-H1E	
			670-1422-ND	2.47	1.41	1.20 TX25-100P-6ST-N1E	
			11.2	670-1423-ND	2.18	1.31	1.17 TX25-100P-8ST-E1E
			670-1424-ND	2.18	1.31	1.17 TX25-100P-8ST-H1E	
			670-1425-ND	2.47	1.41	1.20 TX25-100P-8ST-N1E	
140	90.17	104.04	9.2	670-1418-ND	2.18	1.31	1.17 TX25-100P-12ST-H1E
			670-1419-ND	2.47	1.41	1.20 TX25-100P-12ST-N1E	
120	74.93	88.8	9.2	670-1428-ND	2.81	1.64	1.50 TX25-120P-6ST-H1E
			670-1429-ND	2.68	1.57	1.43 TX25-120P-6ST-N1E	

No. of Positions	Dimensions (mm)			Digi-Key Part No.	Price Each	JAE Part No.	
TX25 Series							
Fig. 4 — Plug, Right Angle - Thru Hole							
30	17.78	31.7	—	670-1438-ND	1.19	.67	53 TX25-30P-LT-H1E
			—	670-1439-ND	1.16	.66	51 TX25-30P-LT-N1E
			—	670-1448-ND	1.27	.73	64 TX25-40P-LT-N1E
40	24.13	38.0	—	670-1448-ND	1.27	.73	64 TX25-40P-LT-N1E
			—	670-1456-ND	1.58	.91	77 TX25-50P-LT-N1E
50	30.48	44.4	—	670-1465-ND	1.78	1.02	87 TX25-60P-LT-H1E
			—	670-1466-ND	1.73	.99	84 TX25-60P-LT-N1E
60	36.83	50.7	—	670-1474-ND	2.24	1.28	1.09 TX25-80P-LT-H1E
			—	670-1475-ND	2.16	1.24	1.05 TX25-80P-LT-N1E
80	49.53	63.4	—	670-1476-ND	2.24	1.28	1.09 TX25-80P-LT-H1E
			—	670-1477-ND	2.16	1.24	1.05 TX25-80P-LT-N1E
100	62.23	76.1	—	670-1426-ND	2.18	1.31	1.17 TX25-100P-LT-H1E
			—	670-1427-ND	2.47	1.41	1.20 TX25-100P-LT-N1E
120	74.93	88.8	—	670-1430-ND	2.81	1.69	1.50 TX25-120P-LT-H1E
			—	670-1431-ND	4.60	2.61	2.46 TX25-140P-LT-N1E

◊ With Hook Plug

Free shipping on orders over £50! All prices are in British pound sterling and include duties.

uk.digikey.com — FREEPHONE: 0-800-587-0991 • 0-800-904-7786 — FREEFAX: 0-800-587-0992 • 0-800-904-7783