



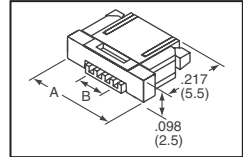
0.50 mm (0.020") FFC-FPC Connectors SMT/ZIF Type (Cont.)



Fig.	No. of Positions	Contact Location	Dimension - Inch (mm)				Digi-Key Part No.	Cut Tape Price Each			Digi-Key Part No.	Tape and Reel		FCI Part No.
			A	B	C	D		1	25	100		Qty.	Pricing	
2	22	Upper	0.650 (16.50)	0.413 (10.50)	0.071 (1.80)	0.165 (4.20)	609-1874-1-ND	1.00	.56	.48	609-1874-2-ND	3,000	375.56/M	SFV22R-2STE1LF
	24	Upper	0.689 (17.50)	0.453 (11.50)	0.071 (1.80)	0.165 (4.20)	609-1876-1-ND	1.02	.56	.48	—	—	—	SFV24R-2STE1LF
	26	Upper	0.728 (18.50)	0.492 (12.50)	0.071 (1.80)	0.165 (4.20)	609-1878-1-ND	.97	.54	.45	609-1878-2-ND	3,000	343.58/M	SFV26R-2STE1LF
	28	Upper	0.768 (19.50)	0.531 (13.50)	0.071 (1.80)	0.165 (4.20)	609-1880-1-ND	1.02	.57	.48	609-1880-2-ND	6,000	364.68/M	SFV28R-2STE1LF
	30	Upper	0.807 (20.50)	0.571 (14.50)	0.071 (1.80)	0.165 (4.20)	609-1882-1-ND	1.47	.87	.75	—	—	—	SFV30R-2STE1LF
SFV Series — Side Entry With Cable-Lock														
2	20	Upper	0.610 (15.50)	0.374 (9.50)	0.071 (1.80)	0.165 (4.20)	609-1870-1-ND	.89	.50	.42	609-1870-2-ND	3,000	319.27/M	SFV20R-4STE1LF
Side Entry														
2	10	Lower	0.295 (7.50)	0.177 (4.50)	0.047 (1.20)	0.134 (3.40)	609-1234-1-ND	.76	.38	.32	609-1234-2-ND	4,500	232.78/M	10051922-1010ELF
	12	Lower	0.335 (8.50)	0.217 (5.50)	0.047 (1.20)	0.134 (3.40)	609-1236-1-ND	.62	.33	.28	609-1236-2-ND	4,500	198.64/M	10051922-1210ELF
	14	Lower	0.374 (9.50)	0.256 (6.50)	0.047 (1.20)	0.134 (3.40)	609-1237-1-ND	.64	.33	.28	609-1237-2-ND	4,500	201.74/M	10051922-1410ELF
	15	Lower	0.394 (10.00)	0.276 (7.00)	0.047 (1.20)	0.134 (3.40)	609-1238-1-ND	.69	.35	.29	609-1238-2-ND	4,500	217.26/M	10051922-1510ELF
	24	Lower	0.571 (14.50)	0.453 (11.50)	0.047 (1.20)	0.134 (3.40)	609-1241-1-ND	.84	.45	.38	609-1241-2-ND	4,500	276.46/M	10051922-2410ELF
	30	Lower	0.689 (17.50)	0.571 (14.50)	0.047 (1.20)	0.134 (3.40)	609-1244-1-ND	.94	.52	.44	609-1244-2-ND	4,500	330.34/M	10051922-3010ELF
57	Lower	1.220 (31.00)	1.102 (28.00)	0.047 (1.20)	0.134 (3.40)	609-1233-1-ND	2.03	1.10	.96	—	—	—	10042867-57MB10ELF	

A

0.80 mm (0.031") FFC-FPC Connectors SMT/ZIF Type



The Gas-Tight, High Pressure (GTH) contact system ensures a low cost connection with reliability equal to gold plating. The Zero Insertion Force (ZIF) connection allows an increased number of mating cycles with minimal wear. The ZIF pre-holding process provides a stable and reliable mating operation. The slider ensures maximum cable retention with a minimum size. Fork shaped contacts mean stable and low contact resistance. The cable lock option provides cable strain relief as well as full retention of cable.

Specifications: • Housing Material: Glass Reinforced PPS, UL94V-0 • Contact Material: Phosphor Bronze, Matte pure Tin plated • Contact Resistance: 30mΩ maximum • Insulation Resistance: 500MΩ minimum • Durability (Mating Cycles): 20 Cycles • Temperature Range: -55°C - 85°C • Current Rating: 0.5A AC/DC • Voltage Rating: 100V AC/DC

No. of Positions	Dimensions - Inch (mm)		Digi-Key Part No.	Cut Tape Price Each			Digi-Key Part No.	Tape and Reel		FCI Part No.
	A	B		1	25	100		Qty.	Pricing	
6	0.402 (10.20)	0.157 (4.00)	609-1171-1-ND	.69	.35	.30	609-1171-2-ND	2,000	230.33/M	SFR6R-1STE1LF
8	0.465 (11.80)	0.220 (5.60)	609-1172-1-ND	.73	.39	.33	609-1172-2-ND	2,000	242.71/M	SFR8R-1STE1LF
10	0.528 (13.40)	0.283 (7.20)	609-1173-1-ND	.81	.43	.37	609-1173-2-ND	2,000	273.95/M	SFR10R-1STE1LF
12	0.591 (15.00)	0.346 (8.80)	609-1174-1-ND	.77	.43	.36	609-1174-2-ND	2,000	279.39/M	SFR12R-1STE1LF
24	0.969 (24.60)	0.724 (18.40)	609-1180-1-ND	.91	.52	.42	609-1180-2-ND	2,000	337.60/M	SFR24R-1STE1LF
28	1.094 (27.80)	0.850 (21.60)	609-1182-1-ND	1.07	.58	.50	609-1182-2-ND	2,000	399.82/M	SFR28R-1STE1LF
30	1.157 (29.40)	0.913 (23.20)	609-1183-1-ND	2.15	1.16	1.00	609-1183-2-ND	2,000	799.74/M	SFR30R-1STE1LF

1.00 mm (0.039") FFC-FPC Connectors



The Gas-Tight, High pressure (GTH) contact system ensures a low cost connection with reliability equal to gold plating. The Zero Insertion Force (ZIF) connection allows an increased number of mating cycles with minimal wear. The ZIF pre-holding process allows a stable and reliable mating operation. The Low Insertion Force (LIF) contacts positioning provides a reliable and easy mating operation. The slider ensures maximum cable retention with a minimum size. Fork shaped contacts mean stable and low contact resistance. Kinked solder tails provide added PCB retention.

Specifications: • Current Rating: 1A AC/DC • Voltage Rating: 100V AC/DC • Contact Resistance: 30mΩ maximum • Insulation Resistance: 500MΩ minimum • Durability (Mating Cycles): ZIF - 20 cycles, LIF - 30 cycles • Temperature Range: -55°C - 85°C

SLW Series: • Housing: Nylon, Glass Reinforced, UL94V-0, Black • Slider: Nylon, Glass Reinforced, UL94V-0, Black • Contact: Phosphor Bronze, Tin Alloy Plated

HLW Series: • Housing: PBT, Glass Reinforced, UL94V-0, Black • Contact: Phosphor Bronze, Tin Alloy Plated

HFV Series: • Housing: Polyamide 6T, Glass Reinforced, UL94V-0, Black • Contact: Phosphor Bronze, Tin Alloy Plated

SFW Series: • Housing: For Right Angle Version: PPS, Glass Reinforced, UL94V-0 For FPC/FCC: Housing Color: Brown (with cable-lock: Black) Slider Color: Black (with cable-lock: Brown) For Vertical Version: Heat-Resisting Resin, Glass Reinforced, UL94V-0 Housing Color: Brown Slider Color: Black • Contact Phosphor Bronze, Tin Alloy Plated

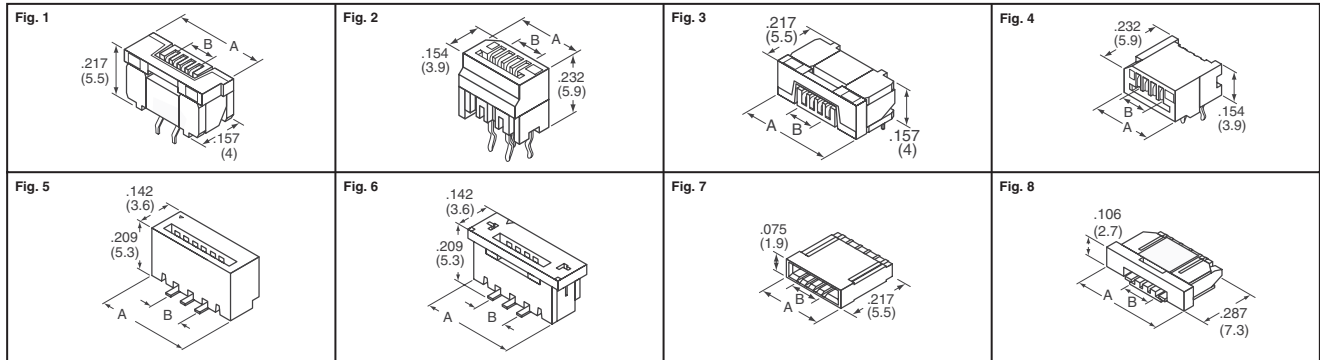


Fig.	No. of Positions	Dimension - Inch (mm)		Digi-Key Part No.	Cut Tape Pricing			Digi-Key Part No.	Tape and Reel		FCI Part No.
		A	B		1	25	100		Qty.	Pricing	
SLW Series — Top Entry PC Mount ZIF											
1	4	0.402 (10.20)	0.205 (5.20)	609-1929-ND†	.40	4.86	15.55	—	—	—	SLW4S-1C7LF
	5	0.441 (11.20)	0.244 (6.20)	609-1931-ND†	.60	6.19	19.79	—	—	—	SLW5S-1C7LF
	6	0.480 (12.20)	0.283 (7.20)	609-1933-ND†	.49	5.10	16.34	—	—	—	SLW6S-1C7LF
	8	0.559 (14.20)	0.362 (9.20)	609-1935-ND†	.42	5.13	16.39	—	—	—	SLW8S-1C7LF
	10	0.638 (16.20)	0.441 (11.20)	609-1937-ND†	.46	5.67	18.15	—	—	—	SLW10S-1C7LF
	12	0.717 (18.20)	0.520 (13.20)	609-1939-ND†	.86	11.86	39.89	—	—	—	SLW12S-1C7LF
	14	0.795 (20.20)	0.598 (15.20)	609-1941-ND†	.52	6.37	21.23	—	—	—	SLW14S-1C7LF
	15	0.835 (21.20)	0.638 (16.20)	609-1943-ND†	.98	13.16	45.12	—	—	—	SLW15S-1C7LF
	16	0.874 (22.20)	0.677 (17.20)	609-1945-ND†	.97	12.97	44.47	—	—	—	SLW16S-1C7LF
	18	0.953 (24.20)	0.756 (19.20)	609-1947-ND†	.73	7.54	25.56	—	—	—	SLW18S-1C7LF

† Bulk

(Continued)

Digi-Reel® Most SMT cutdown parts are available on a Digi-Reel®. For Digi-Reel part number, change 1-ND to 6-ND or CT-ND to DKR-ND. See Digi-Key® Services on page 2 for additional information.

Free shipping on orders over £50! All prices are in British pound sterling and include duties.

uk.digikey.com — FREEPHONE: 0-800-587-0991 • 0-800-904-7786 — FREEFAX: 0-800-587-0992 • 0-800-904-7783

(UK091) 73



A

Fig.	No. of Positions	Dimension - Inch (mm)		Digi-Key Part No.	Cut Tape Pricing			Digi-Key Part No.	Tape and Reel		FCI Part No.	
		A	B		1	25	100		Qty.	Pricing		
1	20	1.031 (26.20)	0.835 (21.20)	609-1949-ND†	.74	9.71	32.80	—	—	—	SLW20S-1C7LF	
	22	1.110 (28.20)	0.913 (23.20)	609-1951-ND†	.57	7.10	23.08	—	—	—	SLW22S-1C7LF	
	24	1.189 (30.20)	0.992 (25.20)	609-1953-ND†	1.57	15.67	53.71	—	—	—	SLW24S-1C7LF	
	26	1.268 (32.20)	1.071 (27.20)	609-1955-ND†	.63	7.41	24.10	—	—	—	SLW26S-1C7LF	
	28	1.346 (34.20)	1.150 (29.20)	609-1957-ND†	.46	5.79	18.51	—	—	—	SLW28S-1C7LF	
	30	1.425 (36.20)	1.228 (31.20)	609-1959-ND†	.80	11.01	37.03	—	—	—	SLW30S-1C7LF	
HLW Series — Top Entry PC Mount LIF												
2	4	0.260 (6.60)	0.118 (3.00)	609-1815-ND†	.17	1.84	5.68	—	—	—	HLW4S-2C7LF	
	5	0.300 (7.60)	0.157 (4.00)	609-1817-ND†	.18	1.97	6.10	—	—	—	HLW5S-2C7LF	
	6	0.339 (8.60)	0.197 (5.00)	609-1819-ND†	.19	2.04	6.32	—	—	—	HLW6S-2C7LF	
	8	0.417 (10.60)	0.276 (7.00)	609-1821-ND†	.22	2.39	7.31	—	—	—	HLW8S-2C7LF	
	10	0.496 (12.60)	0.354 (9.00)	609-1823-ND†	.20	2.11	6.53	—	—	—	HLW10S-2C7LF	
	12	0.575 (14.60)	0.433 (11.00)	609-1825-ND†	.33	3.99	12.99	—	—	—	HLW12S-2C7LF	
	14	0.654 (16.60)	0.512 (13.00)	609-1827-ND†	.21	2.45	7.51	—	—	—	HLW14S-2C7LF	
	15	0.693 (17.60)	0.551 (14.00)	609-1829-ND†	.25	2.86	9.20	—	—	—	HLW15S-2C7LF	
	16	0.732 (18.60)	0.591 (15.00)	609-1831-ND†	.25	2.93	9.39	—	—	—	HLW16S-2C7LF	
	18	0.811 (20.60)	0.670 (17.00)	609-1833-ND†	.27	3.11	9.79	—	—	—	HLW18S-2C7LF	
	20	0.890 (22.60)	0.748 (19.00)	609-1835-ND†	.28	3.18	9.98	—	—	—	HLW20S-2C7LF	
	22	0.969 (24.60)	0.827 (21.00)	609-1837-ND†	.28	3.30	10.38	—	—	—	HLW22S-2C7LF	
	24	1.047 (26.60)	0.906 (23.00)	609-1839-ND†	.28	3.37	10.59	—	—	—	HLW24S-2C7LF	
	26	1.126 (28.60)	0.984 (25.00)	609-1841-ND†	.30	3.56	11.39	—	—	—	HLW26S-2C7LF	
	28	1.205 (30.60)	1.063 (27.00)	609-1843-ND†	.30	3.68	11.79	—	—	—	HLW28S-2C7LF	
	30	1.283 (32.60)	1.142 (29.00)	609-1845-ND†	.30	3.68	11.79	—	—	—	HLW30S-2C7LF	
	SLW Series — Side Entry PC Mount ZIF											
	3	4	0.402 (10.20)	0.205 (5.20)	609-1928-ND†	.38	4.43	14.30	—	—	—	SLW4R-1C7LF
5		0.441 (11.20)	0.244 (6.20)	609-1930-ND†	.30	3.56	11.39	—	—	—	SLW5R-1C7LF	
6		0.480 (12.20)	0.283 (7.20)	609-1932-ND†	.30	3.56	11.39	—	—	—	SLW6R-1C7LF	
8		0.559 (14.20)	0.362 (9.20)	609-1934-ND†	.40	4.88	15.61	—	—	—	SLW8R-1C7LF	
10		0.638 (16.20)	0.441 (11.20)	609-1936-ND†	.44	5.41	17.31	—	—	—	SLW10R-1C7LF	
12		0.717 (18.20)	0.520 (13.20)	609-1938-ND†	.87	11.95	40.18	—	—	—	SLW12R-1C7LF	
14		0.795 (20.20)	0.598 (15.20)	609-1940-ND†	.60	7.31	24.80	—	—	—	SLW14R-1C7LF	
15		0.835 (21.20)	0.638 (16.20)	609-1942-ND†	.52	6.19	20.62	—	—	—	SLW15R-1C7LF	
16		0.874 (22.20)	0.677 (17.20)	609-1944-ND†	.54	6.55	21.82	—	—	—	SLW16R-1C7LF	
18		0.953 (24.20)	0.756 (19.20)	609-1946-ND†	.60	7.39	25.07	—	—	—	SLW18R-1C7LF	
20		1.031 (26.20)	0.835 (21.20)	609-1948-ND†	.57	7.09	23.04	—	—	—	SLW20R-1C7LF	
22		1.110 (28.20)	0.913 (23.20)	609-1950-ND†	.61	7.72	25.10	—	—	—	SLW22R-1C7LF	
24		1.189 (30.20)	0.992 (25.20)	609-1952-ND†	.62	7.57	25.68	—	—	—	SLW24R-1C7LF	
26		1.268 (32.20)	1.071 (27.20)	609-1954-ND†	.63	7.94	26.91	—	—	—	SLW26R-1C7LF	
28		1.346 (34.20)	1.150 (29.20)	609-1956-ND†	.50	5.99	19.97	—	—	—	SLW28R-1C7LF	
30		1.425 (36.20)	1.228 (31.20)	609-1958-ND†	.76	9.94	34.33	—	—	—	SLW30R-1C7LF	
HLW Series — Side Entry PC Mount LIF												
4		4	0.260 (6.60)	0.118 (3.00)	609-1814-ND†	.15	1.65	4.99	—	—	—	HLW4R-2C7LF
	5	0.300 (7.60)	0.157 (4.00)	609-1816-ND†	.18	1.96	5.89	—	—	—	HLW5R-2C7LF	
	6	0.339 (8.60)	0.197 (5.00)	609-1818-ND†	.18	1.97	6.10	—	—	—	HLW6R-2C7LF	
	8	0.417 (10.60)	0.276 (7.00)	609-1820-ND†	.20	2.18	6.97	—	—	—	HLW8R-2C7LF	
	10	0.496 (12.60)	0.354 (9.00)	609-1822-ND†	.22	2.11	6.53	—	—	—	HLW10R-2C7LF	
	12	0.575 (14.60)	0.433 (11.00)	609-1824-ND†	.22	2.35	7.73	—	—	—	HLW12R-2C7LF	
	14	0.654 (16.60)	0.512 (13.00)	609-1826-ND†	.23	2.54	8.17	—	—	—	HLW14R-2C7LF	
	15	0.693 (17.60)	0.551 (14.00)	609-1828-ND†	.41	5.09	16.28	—	—	—	HLW15R-2C7LF	
	16	0.732 (18.60)	0.591 (15.00)	609-1830-ND†	.25	2.80	8.99	—	—	—	HLW16R-2C7LF	
	18	0.811 (20.60)	0.670 (17.00)	609-1832-ND†	.25	2.93	9.39	—	—	—	HLW18R-2C7LF	
	20	0.890 (22.60)	0.748 (19.00)	609-1834-ND†	.27	3.11	9.79	—	—	—	HLW20R-2C7LF	
	22	0.969 (24.60)	0.827 (21.00)	609-1836-ND†	.28	3.25	10.19	—	—	—	HLW22R-2C7LF	
	24	1.047 (26.60)	0.906 (23.00)	609-1838-ND†	.28	3.30	10.38	—	—	—	HLW24R-2C7LF	
	26	1.126 (28.60)	0.984 (25.00)	609-1840-ND†	.30	3.50	10.99	—	—	—	HLW26R-2C7LF	
	28	1.205 (30.60)	1.063 (27.00)	609-1842-ND†	.30	3.56	11.39	—	—	—	HLW28R-2C7LF	
	30	1.283 (32.60)	1.142 (29.00)	609-1844-ND†	.30	3.62	11.58	—	—	—	HLW30R-2C7LF	
	HFW Series — Top Entry SMT Non-ZIF											
	5	4	0.276 (7.00)	0.118 (3.00)	609-1105-1-ND	.30	3.81	12.32	609-1105-2-ND	1,000	96.79	HFW4S-2STE1LF
5		0.315 (8.00)	0.157 (4.00)	609-1106-1-ND	.51	6.39	20.44	609-1106-2-ND	1,000	168.66	HFW5S-2STE1LF	
6		0.354 (9.00)	0.197 (5.00)	609-1107-1-ND	.30	3.81	12.32	609-1107-2-ND	1,000	123.19	HFW6S-2STE1LF	
7		0.394 (10.00)	0.236 (6.00)	609-1108-1-ND	.42	5.13	16.42	609-1108-2-ND	1,000	133.84	HFW7S-2STE1LF	
9		0.472 (12.00)	0.315 (8.00)	609-1110-1-ND	.28	3.42	10.95	609-1110-2-ND	1,000	89.23	HFW9S-2STE1LF	
10		0.512 (13.00)	0.354 (9.00)	609-1111-1-ND	.57	7.25	23.57	609-1111-2-ND	1,000	193.41	HFW10S-2STE1LF	
11		0.551 (14.00)	0.394 (10.00)	609-1112-1-ND	.49	6.05	19.34	609-1112-2-ND	1,000	136.44	HFW11S-2STE1LF	
12		0.591 (15.00)	0.433 (11.00)	609-1113-1-ND	.60	7.38	25.02	609-1113-2-ND	1,000	205.25	HFW12S-2STE1LF	
13		0.630 (16.00)	0.472 (12.00)	609-1114-1-ND	.44	5.38	17.21	609-1114-2-ND	1,000	140.23	HFW13S-2STE1LF	
14		0.670 (17.00)	0.512 (13.00)	609-1115-1-ND	.62	7.80	24.97	609-1115-2-ND	1,000	203.54	HFW14S-2STE1LF	
16		0.748 (19.00)	0.591 (15.00)	609-1117-1-ND	.73	8.76	29.21	609-1117-2-ND	2,000	238.10/M	HFW16S-2STE1LF	
18		0.827 (21.00)	0.670 (17.00)	609-1119-1-ND	.65	8.07	27.36	609-1119-2-ND	1,000	224.54	HFW18S-2STE1LF	
19		0.866 (22.00)	0.709 (18.00)	609-1120-1-ND	.50	6.11	20.34	609-1120-2-ND	1,000	165.79	HFW19S-2STE1LF	
23		1.024 (26.00)	0.866 (22.00)	609-1124-1-ND	.61	7.65	24.50	609-1124-2-ND	1,000	184.96	HFW23S-2STE1LF	
24		1.063 (27.00)	0.906 (23.00)	609-1125-1-ND	.57	7.04	23.46	609-1125-2-ND	1,000	187.71	HFW24S-2STE1LF	
26		1.142 (29.00)	0.984 (25.00)	609-1127-1-ND	.69	8.61	27.99	609-1127-2-ND	1,000	229.65	HFW26S-2STE1LF	
27		1.181 (30.00)	1.024 (26.00)	609-1128-1-ND	.65	8.07	26.23	609-1128-2-ND	1,000	215.24	HFW27S-2STE1LF	
28		1.220 (31.00)	1.063 (27.00)	609-1129-1-ND	.76	10.35	34.81	609-1129-2-ND	1,000	301.09	HFW28S-2STE1LF	
29		1.260 (32.00)	1.102 (28.00)	609-1130-1-ND	.71	9.01	29.29	609-1130-2-ND	1,000	231.62	HFW29S-2STE1LF	
SFW Series — Top Entry SMT ZIF (Without Mounting Plate)												
6		4	0.409 (10.40)	0.118 (3.00)	609-1132-1-ND	.68	8.58	27.89	609-1132-2-ND	1,000	228.84	SFW4S-2STE1LF
		5	0.449 (11.40)	0.157 (4.00)	609-1134-1-ND	.52	6.57	21.35	609-1134-2-ND	1,000	220.01	SFW5S-2STE1LF
		6	0.488 (12.40)	0.197 (5.00)	609-1136-1-ND	.68	8.36	28.37	609-1136-2-ND	1,000	232.78	SFW6S-2STE1LF
		8	0.567 (14.40)	0.276 (7.00)	609-1139-1-ND	.73	9.18	29.82	609-1139-2-ND	1,000	244.63	SFW8S-2STE1LF

† Bulk

(Continued)

Digi-Reel® Most SMT cutdown parts are available on a Digi-Reel®. For Digi-Reel part number, change 1-ND to 6-ND or CT-ND to DKR-ND. See Digi-Key® Services on page 2 for additional information.

Free shipping on orders over £50! All prices are in British pound sterling and include duties.



A

Fig.	No. of Positions	Dimension - Inch (mm)		Digi-Key Part No.	Cut Tape Pricing			Digi-Key Part No.	Tape and Reel		FCI Part No.
		A	B		1	25	100		Qty.	Pricing	
6	10	0.646 (16.40)	0.354 (9.00)	609-1140-1-ND	.60	7.40	25.10	609-1140-2-ND	2,000	253.35/M	SFW10S-2STE1LF
	11	0.685 (17.40)	0.394 (10.00)	609-1142-1-ND	.62	7.73	26.23	609-1142-2-ND	1,000	215.24	SFW11S-2STE1LF
	12	0.724 (18.40)	0.433 (11.00)	609-1144-1-ND	.62	7.96	27.00	609-1144-2-ND	1,000	221.52	SFW12S-2STE1LF
	15	0.843 (21.40)	0.531 (14.00)	609-1148-1-ND	.73	9.37	31.80	609-1148-2-ND	1,000	260.90	SFW15S-2STE1LF
	16	0.882 (22.40)	0.591 (15.00)	609-1150-1-ND	.81	10.41	35.31	609-1150-2-ND	1,000	289.70	SFW16S-2STE1LF
	18	0.961 (24.40)	0.670 (17.00)	609-1154-1-ND	.79	10.07	34.14	609-1154-2-ND	1,000	271.42	SFW18S-2STE1LF
	20	1.040 (26.40)	0.748 (19.00)	609-1156-1-ND	.49	5.90	19.67	609-1156-2-ND	1,000	306.26	SFW20S-2STE1LF
	24	1.197 (30.40)	0.906 (23.00)	609-1162-1-ND	1.03	14.19	47.75	609-1162-2-ND	1,000	394.89	SFW24S-2STE1LF
	26	1.276 (32.40)	0.984 (25.00)	609-1164-1-ND	.86	11.27	38.07	609-1164-2-ND	1,000	310.58	SFW26S-2STE1LF
	28	1.354 (34.40)	1.063 (27.00)	609-1166-1-ND	1.02	14.36	46.99	609-1166-2-ND	1,000	391.60	SFW28S-2STE1LF
30	1.433 (36.40)	1.142 (29.00)	609-1168-1-ND	.94	12.23	42.27	609-1168-2-ND	1,000	344.79	SFW30S-2STE1LF	
SFW Series — Top Entry SMT ZIF With Mounting Plate											
6	4	0.409 (10.40)	0.118 (3.00)	609-1133-1-ND	.67	8.36	28.37	609-1133-2-ND	1,000	232.78	SFW4S-2STME1LF
	5	0.449 (11.40)	0.157 (4.00)	609-1135-1-ND	.68	8.29	28.12	609-1135-2-ND	1,000	230.69	SFW5S-2STME1LF
	8	0.567 (14.40)	0.276 (7.00)	609-1138-1-ND	.78	9.54	32.37	609-1138-2-ND	1,000	265.54	SFW8S-2STME1LF
	10	0.646 (16.40)	0.354 (9.00)	609-1141-1-ND	.62	7.51	25.47	609-1141-2-ND	1,000	274.25	SFW10S-2STME1LF
	11	0.685 (17.40)	0.394 (10.00)	609-1143-1-ND	.65	8.15	27.51	609-1143-2-ND	1,000	224.38	SFW11S-2STME1LF
	12	0.724 (18.40)	0.433 (11.00)	609-1145-1-ND	.63	8.09	27.36	609-1145-2-ND	1,000	223.15	SFW12S-2STME1LF
	20	1.040 (26.40)	0.748 (19.00)	609-1157-1-ND	.91	11.95	40.36	609-1157-2-ND	1,000	329.26	SFW20S-2STME1LF
	24	1.197 (30.40)	0.906 (23.00)	609-1163-1-ND	.67	8.80	29.73	609-1163-2-ND	1,000	242.51	SFW24S-2STME1LF
	30	1.433 (36.40)	1.142 (29.00)	609-1169-1-ND	1.07	14.78	49.71	609-1169-2-ND	1,000	411.10	SFW30S-2STME1LF
	HFW Series — Side Entry SMT LIF, Lower Contact Type										
7	4	0.260 (6.60)	0.118 (3.00)	609-1782-1-ND	.49	6.16	19.69	609-1782-2-ND	2,000	150.63/M	HFW4R-1STE1LF
	5	0.300 (7.60)	0.157 (4.00)	609-1784-1-ND	.36	4.25	13.72	609-1784-2-ND	2,000	104.55/M	HFW5R-1STE1LF
	6	0.339 (8.60)	0.197 (5.00)	609-1786-1-ND	.25	3.07	9.91	—	—	—	HFW6R-1STE1LF
	8	0.417 (10.60)	0.276 (7.00)	609-1788-1-ND	.57	7.19	23.37	609-1788-2-ND	2,000	183.38/M	HFW8R-1STE1LF
	10	0.496 (12.60)	0.354 (9.00)	609-1790-1-ND	.57	7.25	23.57	609-1790-2-ND	2,000	181.32/M	HFW10R-1STE1LF
	12	0.575 (14.60)	0.433 (11.00)	609-1792-1-ND	.36	4.49	14.35	609-1792-2-ND	2,000	111.18/M	HFW12R-1STE1LF
	14	0.654 (16.60)	0.512 (13.00)	609-1794-1-ND	.65	8.28	28.09	609-1794-2-ND	2,000	216.06/M	HFW14R-1STE1LF
	18	0.811 (20.60)	0.670 (17.00)	609-1800-1-ND	.65	8.07	27.36	609-1800-2-ND	2,000	210.51/M	HFW18R-1STE1LF
	20	0.890 (22.60)	0.748 (19.00)	609-1802-1-ND	.42	5.04	16.79	609-1802-2-ND	2,000	128.41/M	HFW20R-1STE1LF
	HFW Series — Side Entry SMT LIF, Upper Contact Type										
7	4	0.260 (6.60)	0.118 (3.00)	609-1783-1-ND	.56	6.98	22.67	609-1783-2-ND	2,000	174.35/M	HFW4R-2STE1LF
	5	0.300 (7.60)	0.157 (4.00)	609-1785-1-ND	.37	4.46	14.41	609-1785-2-ND	2,000	109.77/M	HFW5R-2STE1LF
	6	0.339 (8.60)	0.197 (5.00)	609-1787-1-ND	.25	3.07	9.91	609-1787-2-ND	4,000	75.50/M	HFW6R-2STE1LF
	8	0.417 (10.60)	0.276 (7.00)	609-1789-1-ND	.72	8.87	28.66	—	—	—	HFW8R-2STE1LF
	10	0.496 (12.60)	0.354 (9.00)	609-1791-1-ND	.53	6.67	21.67	609-1791-2-ND	2,000	166.73/M	HFW10R-2STE1LF
	12	0.575 (14.60)	0.433 (11.00)	609-1793-1-ND	.67	8.17	26.15	—	—	—	HFW12R-2STE1LF
	16	0.732 (18.60)	0.591 (15.00)	609-1799-1-ND	.38	4.68	14.97	609-1799-2-ND	2,000	116.02/M	HFW16R-2STE1LF
	20	0.890 (22.60)	0.748 (19.00)	609-1803-1-ND	.95	11.44	38.13	609-1803-2-ND	2,000	291.69/M	HFW20R-2STE1LF
	22	0.969 (24.60)	0.827 (21.00)	609-1805-1-ND	.49	6.19	19.81	609-1805-2-ND	2,000	151.51/M	HFW22R-2STE1LF
	24	1.047 (26.60)	0.906 (23.00)	609-1807-1-ND	.86	10.60	35.33	609-1807-2-ND	2,000	270.26/M	HFW24R-2STE1LF
SFW Series — Side Entry SMT ZIF, Lower Contact Type											
8	4	0.386 (9.80)	0.118 (3.00)	609-1883-1-ND	.66	8.25	27.97	609-1883-2-ND	2,000	215.19/M	SFW4R-1STE1LF
	5	0.425 (10.80)	0.157 (4.00)	609-1887-1-ND	.66	8.41	28.54	609-1887-2-ND	2,000	219.54/M	SFW5R-1STE1LF
	6	0.465 (11.80)	0.197 (5.00)	609-1889-1-ND	.90	11.08	35.44	609-1889-2-ND	2,000	274.69/M	SFW6R-1STE1LF
	8	0.543 (13.80)	0.276 (7.00)	609-1893-1-ND	.57	7.24	23.53	609-1893-2-ND	2,000	180.99/M	SFW8R-1STE1LF
	10	0.622 (15.80)	0.354 (9.00)	609-1897-1-ND	.73	9.53	32.20	609-1897-2-ND	2,000	254.18/M	SFW10R-1STE1LF
	12	0.701 (17.80)	0.433 (11.00)	609-1900-1-ND	.65	8.07	27.35	609-1900-2-ND	2,000	210.40/M	SFW12R-1STE1LF
	14	0.780 (19.80)	0.512 (13.00)	609-1902-1-ND	.65	8.36	28.37	609-1902-2-ND	2,000	218.24/M	SFW14R-1STE1LF
	15	0.819 (20.80)	0.551 (14.00)	609-1905-1-ND	.70	8.97	30.28	609-1905-2-ND	4,000	239.03/M	SFW15R-1STE1LF
	16	0.858 (21.80)	0.591 (15.00)	609-1907-1-ND	.83	11.43	38.46	—	—	—	SFW16R-1STE1LF
	18	0.937 (23.80)	0.670 (17.00)	609-1911-1-ND	.70	9.23	31.16	609-1911-2-ND	2,000	246.01/M	SFW18R-1STE1LF
20	1.016 (25.80)	0.748 (19.00)	609-1913-1-ND	1.02	14.13	48.45	609-1913-2-ND	2,000	390.24/M	SFW20R-1STE1LF	
22	1.094 (27.80)	0.827 (21.00)	609-1916-1-ND	.75	9.79	33.80	609-1916-2-ND	2,000	266.81/M	SFW22R-1STE1LF	
24	1.173 (29.80)	0.906 (23.00)	609-1919-1-ND	.75	10.27	34.53	609-1919-2-ND	2,000	270.65/M	SFW24R-1STE1LF	
26	1.252 (31.80)	0.984 (25.00)	609-1921-1-ND	1.12	15.12	52.89	609-1921-2-ND	2,000	430.69/M	SFW26R-1STE1LF	
28	1.331 (33.80)	1.063 (27.00)	609-1924-1-ND	.65	8.17	27.59	609-1924-2-ND	2,000	304.92/M	SFW28R-1STE1LF	
30	1.409 (35.80)	1.142 (29.00)	609-1926-1-ND	.91	12.84	42.00	609-1926-2-ND	2,000	338.34/M	SFW30R-1STE1LF	
SFW Series — Side Entry SMT ZIF, Upper Contact Type											
8	4	0.386 (9.80)	0.118 (3.00)	609-1884-1-ND	.64	7.97	27.03	609-1884-2-ND	2,000	207.89/M	SFW4R-2STE1LF
	5	0.425 (10.80)	0.157 (4.00)	609-1888-1-ND	.64	7.97	27.03	609-1888-2-ND	2,000	207.89/M	SFW5R-2STE1LF
	6	0.465 (11.80)	0.197 (5.00)	609-1890-1-ND	.74	9.78	33.03	609-1890-2-ND	2,000	260.71/M	SFW6R-2STE1LF
	8	0.543 (13.80)	0.276 (7.00)	609-1894-1-ND	.57	7.07	22.98	609-1894-2-ND	2,000	176.75/M	SFW8R-2STE1LF
	10	0.622 (15.80)	0.354 (9.00)	609-1898-1-ND	.86	10.80	34.56	609-1898-2-ND	2,000	264.37/M	SFW10R-2STE1LF
	12	0.701 (17.80)	0.433 (11.00)	609-1901-1-ND	.77	10.59	35.62	609-1901-2-ND	2,000	279.18/M	SFW12R-2STE1LF
	14	0.780 (19.80)	0.512 (13.00)	609-1903-1-ND	.86	11.87	39.93	609-1903-2-ND	2,000	312.97/M	SFW14R-2STE1LF
	15	0.819 (20.80)	0.551 (14.00)	609-1906-1-ND	.68	8.41	28.42	609-1906-2-ND	2,000	224.33/M	SFW15R-2STE1LF
	16	0.858 (21.80)	0.591 (15.00)	609-1908-1-ND	.69	8.67	29.27	609-1908-2-ND	4,000	231.08/M	SFW16R-2STE1LF
	18	0.937 (23.80)	0.670 (17.00)	609-1912-1-ND	.86	11.86	39.89	609-1912-2-ND	2,000	312.65/M	SFW18R-2STE1LF
20	1.016 (25.80)	0.748 (19.00)	609-1914-1-ND	.78	10.16	35.12	609-1914-2-ND	2,000	277.26/M	SFW20R-2STE1LF	
22	1.094 (27.80)	0.827 (21.00)	609-1917-1-ND	.75	9.82	33.90	609-1917-2-ND	2,000	267.68/M	SFW22R-2STE1LF	
24	1.173 (29.80)	0.906 (23.00)	609-1920-1-ND	1.06	14.83	50.85	609-1920-2-ND	2,000	402.55/M	SFW24R-2STE1LF	
26	1.252 (31.80)	0.984 (25.00)	609-1922-1-ND	.97	13.10	44.92	609-1922-2-ND	2,000	361.82/M	SFW26R-2STE1LF	
30	1.409 (35.80)	1.142 (29.00)	609-1927-1-ND	1.19	16.07	56.22	609-1927-2-ND	2,000	457.79/M	SFW30R-2STE1LF	
SFW Series — Side Entry SMT ZIF, Lower Contact Type With Cable Lock Mechanism											
8	4	0.386 (9.80)	0.118 (3.00)	609-1885-1-ND	.63	7.72	26.19	609-1885-2-ND	2,000	201.47/M	SFW4R-3STE1LF
	6	0.465 (11.80)	0.197 (5.00)	609-1891-1-ND	.55	6.93	22.52	609-1891-2-ND	2,000	173.26/M	SFW6R-3STE1LF
	8	0.543 (13.80)	0.276 (7.00)	609-1895-1-ND	.69	8.58	28.98	609-1895-2-ND	2,000	228.79/M	SFW8R-3STE1LF
	14	0.780 (19.80)	0.512 (13.00)	609-1904-1-ND	.83	11.51	38.73	—	—	—	SFW14R-3STE1LF
	16	0.858 (21.80)	0.591 (15.00)	609-1909-1-ND	.82	10.07	33.56	609-1909-2-ND	2,000	256.71/M	SFW16R-3STE1LF
	26	1.252 (31.80)	0.984 (25.00)	609-1923-1-ND	.81	11.14	37.48	—	—	—	SFW26R-3STE1LF
SFW Series — Side Entry SMT ZIF, Upper Contact Type With Cable Lock Mechanism											
8	4	0.386 (9.80)	0.118 (3.00)	609-1886-1-ND	.58	7.10	22.72	609-1886-2-ND	2,000	176.11/M	SFW4R-