

EDAC USB and Firewire Connectors



EDAC series 690 USB (Universal Serial Bus) and series 693 (IEEE 1394) connectors are industry-standard data transfer devices used to interconnect computers to peripheral devices such as scanners and printers. A wide variety of unique right angle vertical that minimizes board space. USB products are compatible with asynchronous and isochronous data transfer methods up to 1.2 Mbps and utilize plug and play technology. EDAC manufactures both USB and IEEE 1394 connectors in through-hole or SMT board styles as well as molded cable assemblies for USB A, B, mini-USB and IEEE variations.

Specifications: • USB 1.1 or USB 2.0 available • Minimum Mating Cycles: 1500 per EIA 364-09 • Insulator Housing: UL 94V-0 thermoplastic • Contact Material: P Bronze (USB), Copper Alloy (1394) • Contact Plating: Gold Flash or Gold Plate over nickel • Contact Resistance: 30mΩ maximum • Insulation Resistance: 100MΩ minimum • Current Rating: 1A maximum under 30°C • Voltage Rating: 30VAC rms maximum • DW Voltage: 750VAC @ 0.4 at sea level (USB), DC500 (1394) • Shield Housing: Copper alloy • Mate/Unmate: 35/10 Newtons per EIA 364-13 • Temperature Range: -55°C - 85°C

A

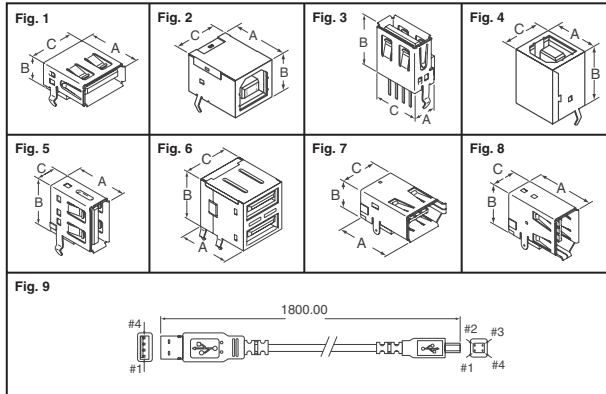
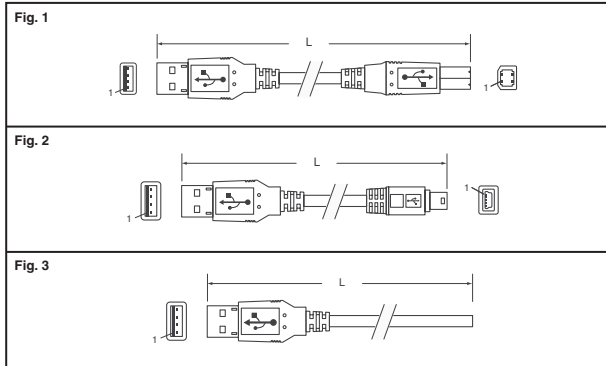


Fig.	Description	Dimension (mm)	Digi-Key Part No.	Price Each	EDAC Part No.
A	B	C	1	10	100
USB CONNECTORS					
30p" Gold					
1	Type "A" Single, Horizontal Rt. Ang.	14.00 6.99 13.10	151-1080-ND	.59 .52 .42	690-004-621-013
2	Type "B" Single, Horizontal Rt. Ang.	16.00 10.62 12.04	151-1081-ND	.74 .66 .53	690-004-621-023
3	Type "A" Single, Vertical Straight	7.62 15.00 14.50	151-1082-ND	.90 .80 .64	690-004-660-013
4	Type "B" Single, Vertical Straight	12.04 16.00 11.30	151-1083-ND	.90 .80 .64	690-004-660-023
5	Type "A" Single, Vertical Rt. Angle	14.10 13.15 7.56	151-1084-ND	.97 .86 .69	690-004-661-013
6	Type "A" Dual Stacked, Horizontal Right Angle	16.96 15.49 13.10	151-1085-ND	1.06 .94 .76	690-008-621-013
Gold Flash					
1	Type "A" Single, Horizontal Rt. Ang.	14.00 6.99 13.10	151-1123-ND	.57 .50 .40	690-004-221-013
2	Type "B" Single, Horizontal Rt. Ang.	16.00 10.62 12.04	151-1121-ND	.68 .60 .48	690-004-221-023
3	Type "A" Single, Vertical Straight	7.62 15.00 14.50	151-1114-ND	.59 .52 .42	690-004-260-013
5	Type "A" Single, Vertical Rt. Angle	14.10 13.15 7.56	151-1116-ND	.90 .80 .64	690-004-261-013
6	Type "A" Dual Stacked, Horizontal Right Angle	16.96 15.49 13.10	151-1122-ND	.83 .74 .60	690-008-221-013
USB Cable Assembly					
9	USB Type "A/M" to USB Type "B/M"	— — —	151-1079-ND	3.27 2.28 1.88	628-000-943
FIREWIRE CONNECTORS					
7	IEEE 1394A Single, Horiz. Rt. Ang.	16.25 8.70 13.50	151-1086-ND	1.13 1.00 .80	693-006-620-003
8	IEEE 1394A Single, Vert. Rt. Ang.	18.00 13.50 5.30	151-1087-ND	1.10 .98 .79	693-006-621-003

Qualtek ELECTRONICS CORP. USB Cable Assemblies



Features: • Transfer rates up to 480 Mbps depending on USB version • Make plug and play connections for such devices as keyboards, mice, modems, printers and other USB peripherals • Connects a USB peripheral to a USB Hub or USB port on PC/MAC • Compatible with USB specifications 1.0, 1.1 and 2.0

Fig.	Description	Wire	Dim. L (ft.)	N.W.	G.W.	Digi-Key Part No.	Price Each	Qualtek Part No.
1	10	100	1	10	100	1	10	100
Nickel - Black								
1	A-B	28/28	3	9	11	Q361-ND	1.83 1.31 1.09	3021001-03
2	A-mini B	28/28	3	8.3	10.3	Q362-ND	2.40 1.72 1.43	3021003-03
3	A-Blunt	28/28	3	8.1	10.1	Q363-ND	1.34 .96 .80	3021005-03
1	A-B	26/28	6	5.6	7.1	Q364-ND	2.72 1.95 1.62	3021007-06
2	A-mini B	26/28	6	5.3	6.8	Q365-ND	3.21 2.30 1.91	3021009-06
3	A-Blunt	26/28	6	5.2	6.7	Q366-ND	2.28 1.63 1.35	3021011-06
1	A-B	26/28	10	8.3	9.7	Q367-ND	3.70 2.65 2.20	3021013-10
2	A-mini B	26/28	10	8	9.4	Q368-ND	4.17 2.98 2.48	3021015-10
3	A-Blunt	26/28	10	7.9	9.3	Q369-ND	3.27 2.34 1.95	3021017-10
Gold - Black								
1	A-B	24/26	16	6.2	7.3	Q370-ND	6.63 4.74 3.93	3021019-16
2	A-mini B	24/26	16	6	7.1	Q371-ND	7.09 5.07 4.21	3021021-16
3	A-Blunt	24/26	16	5.9	7	Q372-ND	6.20 4.43 3.68	3021023-16
1	A-B	20/26	16	10	11.2	Q373-ND	6.63 4.74 3.93	3021025-16
2	A-mini B	20/26	16	9	10.2	Q374-ND	7.09 5.07 4.21	3021027-16
3	A-Blunt	20/26	16	8.8	10	Q375-ND	6.20 4.43 3.68	3021029-16

DVI Cable Assemblies



Features: • Tri-shielded with dual Mylar® foil and braid shield reduces interference • Supports hot plugging of DVI display devices • PC and MAC compatible • Compatible with flat panel displays, digital CRT displays • Meets DVI DDWG Standard

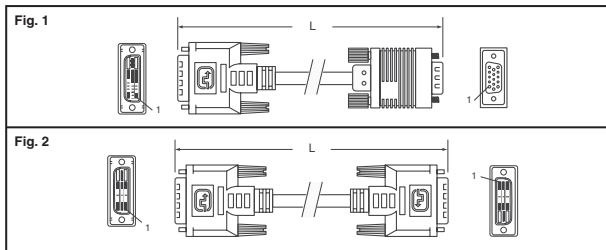


Fig.	Description	Wire (AWG)	Dim. L (ft.)	N.W.	G.W.	Digi-Key Part No.	Price Each	Qualtek Part No.
1	10	100	1	10	100	1	10	100
Nickel - Black								
1	12+5 - HD15P	28	3	6.3	7.5	Q376-ND	8.82 6.31 5.24	1321001-03
2	18+1 - 18+1	28	3	5.8	7	Q377-ND	10.43 7.46 6.19	1321003-03
2	18+5 - 18+5	28	3	7.5	8.7	Q378-ND	14.14 10.11 8.39	1321005-03
2	24+1 - 24+1	28	3	7.3	8.5	Q379-ND	11.97 8.56 7.10	1321007-03
2	24+5 - 24+5	28	3	8.1	9.3	Q380-ND	14.22 10.16 8.43	1321009-03
1	12+5 - HD15P	28	6	8.2	10.4	Q381-ND	12.25 8.76 7.27	1321011-06
2	18+1 - 18+1	28	6	8.2	9.4	Q382-ND	13.51 9.66 8.02	1321013-06
2	18+5 - 18+5	28	6	11.5	12.7	Q383-ND	18.80 13.43 11.15	1321015-06
2	24+1 - 24+1	28	6	11.3	12.5	Q384-ND	15.72 11.23 9.32	1321017-06
2	24+5 - 24+5	28	6	13.3	14.6	Q385-ND	19.72 14.09 11.70	1321019-06
Gold - Black								
1	12+5 - HD15P	28	10	6.5	7.5	Q386-ND	16.83 12.03 9.98	1321021-10
2	18+1 - 18+1	28	10	5.7	6.7	Q387-ND	17.64 12.61 10.47	1321023-10
2	18+5 - 18+5	28	10	8.5	9.6	Q388-ND	24.92 17.81 14.78	1321025-10
2	24+1 - 24+1	28	10	8.4	9.4	Q389-ND	20.73 14.81 12.30	1321027-10
2	24+5 - 24+5	28	10	10.3	11.5	Q390-ND	27.04 19.32 16.03	1321029-10
Gold - Black								
1	12+5 - HD15P	26	16	9.4	10.5	Q391-ND	28.07 20.06 16.65	1321031-16
2	18+1 - 18+1	26	16	8.2	9.3	Q392-ND	28.84 20.61 17.11	1321033-16
2	18+5 - 18+5	26	16	10.4	11.5	Q393-ND	39.70 28.36 23.54	1321035-16
2	24+1 - 24+1	26	16	10.1	11.2	Q394-ND	32.14 22.96 19.06	1321037-16
2	24+5 - 24+5	26	16	12.2	13.4	Q395-ND	44.74 31.96 26.53	1321039-16

HDMI Cable Assemblies



Features: • Broadcast quality digital video, digital audio and inter component control signals all in one compact, high performance connection • Three layers of shielding: two 80% + OFC copper braids and one 100% over lapped Mylar® foil provide complete immunity to environmental EMI and RFI • Nitrogen-injected dielectric and meticulous construction make this interconnect the perfect choice for the most demanding home cinema installations

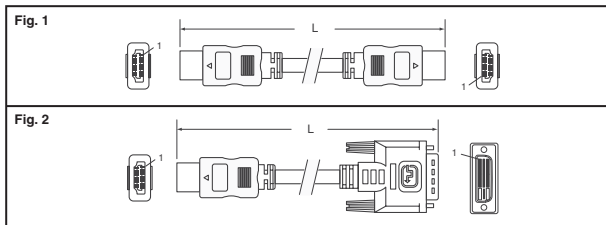


Fig.	Description	Wire (AWG)	Dim. L (ft.)	N.W.	G.W.	Digi-Key Part No.	Price Each	Qualtek Part No.
1	10	100	1	10	100	1	10	100
Nickel - Black								
1	Type A - Type A	28	3	7.5	8.7	Q396-ND	13.05 9.33 7.74	1721001-03
2	Type A - DVI(18+1)	28	3	9.1	10.3	Q397-ND	13.05 9.33 7.74	1721003-03
1	Type A - Type A	28	6	6.1	7.2	Q398-ND	16.57 11.84 9.83	1721005-06
2	Type A - DVI(18+1)	28	6	7	8.1	Q399-ND	16.57 11.84 9.83	1721007-06
1	Type A - Type A	28	10	9.4	10.6	Q400-ND	21.24 15.18 12.60	1721009-10
2	Type A - DVI(18+1)	28	10	10.5	11.7	Q401-ND	21.24 15.18 12.60	1721011-10
1	Type A - Type A	26	16	7.3	8.3	Q402-ND	35.73 25.53 21.19	1721013-16
2	Type A - DVI(18+1)	26	16	7.8	8.8	Q403-ND	35.73 25.53 21.19	1721015-16
1	Type A - Type A	26	30	10.2	11.3	Q404-ND	64.08 45.77 37.99	1721017-30
2	Type A - DVI(18+1)	26	30	10.6	11.7	Q405-ND	64.08 45.77 37.99	1721019-30

Free shipping on orders over £50! All prices are in British pound sterling and include duties.