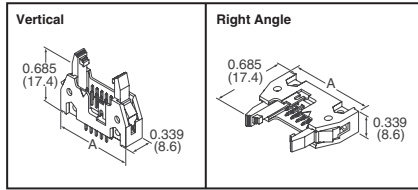




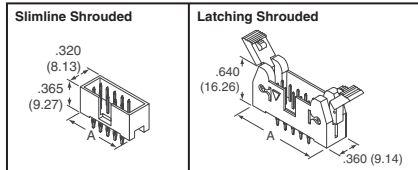
**Eject Latch Headers**

**Specifications:** • Contact Plating: 30µ" (0.76 µm) Gold • Current Rating: 3 Amp Continuous • Temperature Range: -65°C - 125°C • Housing Material: Glass Filled, Thermoplastic: UL94V-0, Color: Gray • Pin Material: Phosphor Bronze • 20N minimum Latch Retention Force at First Extraction



No. of Pos.	Dimension A Inch (mm)	Digi-Key Part No.	Pricing 1 25	FCI Part No.
<b>Vertical Header with Standard Latch</b>				
6	1.060 (26.92)	609-2843-ND	.99 13.74	71918-106LF
10	1.260 (32.00)	609-1753-ND	1.11 15.51	71918-110LF
16	1.560 (39.62)	609-1754-ND	1.29 17.89	71918-116LF
20	1.760 (44.70)	609-1755-ND	1.39 19.81	71918-120LF
26	2.060 (52.32)	609-1756-ND	1.55 22.24	71918-126LF
34	2.460 (62.48)	609-1757-ND	1.74 26.16	71918-134LF
40	2.760 (70.10)	609-1758-ND	2.27 34.96	71918-140LF
50	3.260 (82.80)	609-1759-ND	2.29 35.07	71918-150LF
<b>Right Angle Header with Standard Latch</b>				
6	1.060 (26.92)	609-2844-ND	.99 13.74	71922-106LF
10	1.260 (32.00)	609-1760-ND	1.11 15.51	71922-110LF
16	1.560 (39.62)	609-1761-ND	1.72 25.86	71922-116LF
20	1.760 (44.70)	609-1762-ND	1.42 20.30	71922-120LF
26	2.060 (52.32)	609-1763-ND	1.55 22.24	71922-126LF
34	2.460 (62.48)	609-1764-ND	1.70 25.52	71922-134LF
40	2.760 (70.10)	609-1765-ND	1.93 28.69	71922-140LF
50	3.260 (82.80)	609-1766-ND	2.29 35.07	71922-150LF

**Shrouded Headers**

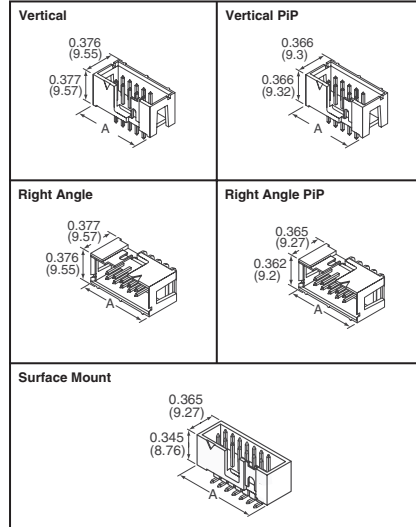


The spring-tension, "Eye-of-Needle" compliant section reduces insertion force during connector installation. The press-fit headers are offered in low-profile, slimline versions or versions equipped with end latches. These dual-row headers utilize 0.64mm (0.025") square pins spaced on 2.54mm (0.100") x 2.54mm (0.100") pitch.

No. of Pos.	Dim. A Inch (mm)	Digi-Key Part No.	Pricing 1 25	FCI Part No.
<b>Slimline Shrouded Headers</b>				
10	.78 (19.81)	609-3084-ND	2.36 36.56	10073456-001LF
20	1.28 (35.51)	609-3085-ND	2.90 45.27	10073456-019LF
24	1.48 (37.59)	609-3086-ND	3.15 49.29	10073456-025LF
30	1.78 (45.21)	609-3087-ND	3.75 59.59	10073456-038LF
40	2.28 (57.91)	609-3088-ND	4.07 67.67	10073456-049LF
<b>Latching Shrouded Headers</b>				
10	1.26 (32.00)	609-3089-ND	2.73 43.86	10080054-007LF
14	1.46 (37.08)	609-3090-ND	2.94 45.89	10080054-043LF
16	1.56 (39.62)	609-3091-ND	2.88 44.99	10080054-061LF
20	1.76 (44.70)	609-3092-ND	4.44 69.27	10080054-079LF
24	1.96 (49.78)	609-3095-ND	3.27 52.03	10080054-524LF
26	2.06 (52.32)	609-3093-ND	3.83 63.59	10080054-115LF
40	2.76 (70.10)	609-3094-ND	4.20 69.75	10080054-169LF

**Low Profile Headers**

**Specifications:** • Contact Plating: 30µ" (0.76 µm) Gold • Current Rating: 3 Amps Continuous • Temperature Range: -65°C - 125°C • Housing Material: Glass Filled, Thermoplastic: UL94V-0, Color: Blue • Pin Material: Phosphor Bronze • SMT/PIP Compatible with wave, vapor-phase and IR reflow soldering processes • PIP: Pin in Paste



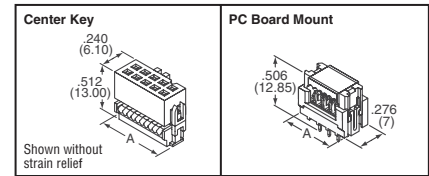
No. of Pos.	Dimension A Inch (mm)	Digi-Key Part No.	Pricing 1 25	FCI Part No.
<b>Vertical Headers</b>				
6	0.584 (14.83)	609-2845-ND	.64 8.14	75869-131LF
10	0.784 (19.91)	609-1774-ND	1.22 16.94	75869-101LF
16	1.084 (27.53)	609-1775-ND	1.21 16.25	75869-103LF
20	1.284 (32.61)	609-1776-ND	1.09 15.24	75869-104LF
26	1.584 (40.23)	609-1777-ND	1.31 18.79	75869-105LF
34	1.984 (50.39)	609-1778-ND	1.69 25.03	75869-106LF
40	2.284 (58.01)	609-1779-ND	1.91 28.67	75869-107LF
50	2.784 (70.71)	609-1780-ND	2.34 35.79	75869-108LF
<b>Vertical PIP Headers</b>				
10	0.791 (20.10)	609-3014-ND	1.25 16.84	10056844-110LF
14	0.991 (25.18)	609-3015-ND	1.18 15.88	10056844-114LF
16	1.091 (27.72)	609-3016-ND	1.45 20.21	10056844-116LF
20	1.291 (32.87)	609-3017-ND	1.60 23.56	10056844-120LF
26	1.591 (40.42)	609-3018-ND	1.95 29.15	10056844-126LF
30	1.791 (45.50)	609-3019-ND	2.27 33.60	10056844-130LF
34	1.991 (50.54)	609-3020-ND	2.50 38.41	10056844-134LF
40	2.291 (58.20)	609-3021-ND	2.53 38.75	10056844-140LF
<b>Right Angle Headers</b>				
4	0.483 (12.29)	609-3077-ND	.73 9.60	75867-130LF
6	0.584 (14.83)	609-2846-ND	.68 8.66	75867-131LF
8	0.684 (17.37)	609-3078-ND	.71 9.27	75867-132LF
10	0.784 (19.91)	609-1767-ND	.83 11.47	75867-101LF
14	0.984 (24.99)	609-3079-ND	.92 12.41	75867-102LF
16	1.084 (27.53)	609-1768-ND	1.27 17.65	75867-103LF
20	1.284 (32.61)	609-1769-ND	1.13 15.22	75867-104LF
26	1.584 (40.23)	609-1770-ND	1.40 20.01	75867-105LF
34	1.984 (50.39)	609-1771-ND	2.00 29.65	75867-106LF
40	2.284 (58.01)	609-1772-ND	1.85 27.81	75867-107LF
50	2.784 (70.71)	609-1773-ND	2.65 41.08	75867-108LF
60	3.283 (83.41)	609-3080-ND	3.11 48.32	75867-109LF
64	3.484 (88.49)	609-3081-ND	2.69 41.70	75867-110LF

No. of Pos.	Dimension A Inch (mm)	Digi-Key Part No.	Pricing 1 25	FCI Part No.
<b>Right Angle PIP Headers</b>				
10	0.791 (20.10)	609-3022-ND	1.39 19.37	10056845-110LF
14	0.991 (25.18)	609-3023-ND	1.53 21.90	10056845-114LF
16	1.091 (27.72)	609-3024-ND	1.66 24.42	10056845-116LF
20	1.291 (32.87)	609-3025-ND	1.83 26.27	10056845-120LF
26	1.591 (40.42)	609-3026-ND	2.08 31.20	10056845-126LF
30	1.791 (45.50)	609-3027-ND	2.35 36.00	10056845-130LF
34	1.991 (50.54)	609-3028-ND	2.56 39.20	10056845-134LF
40	2.291 (58.20)	609-3029-ND	2.93 45.48	10056845-140LF
<b>SMT Headers</b>				
10	0.790 (20.07)	609-3075-ND	1.71 25.73	72454-010LF
14	0.99 (25.2)	609-3011-ND	1.71 25.56	72454-014LF
16	1.090 (27.69)	609-3012-ND	1.55 22.20	72454-016LF
20	1.290 (32.77)	609-3076-ND	1.76 26.30	72454-020LF
40	2.290 (58.17)	609-3013-ND†	3.99 67.88	72454-040LF

† Contact Plating: 100µ" (3.05µ) Tin

**.100" x .100" (2.54 mm x 2.54 mm) Socket Connectors**

Use .050" (1.27 mm) Pitch Ribbon Cable



**Specifications:** • Contact Plating: 30µ" (0.76 µm) Gold • Current Rating: 1 Amp Continuous • Temperature Range: -65°C - 125°C • Plastic Material: Glass Filled High Temperature, Thermoplastic: UL94V-0, Color: Gray • Pin Material: Phosphor Bronze

No. of Pos.	Dimension A Inch (mm)	Digi-Key Part No.	Pricing 1 25	FCI Part No.
<b>Center Key without Strain Relief</b>				
6	0.476 (12.09)	609-2842-ND	.76 10.49	71600-106LF
10	0.672 (17.07)	609-1746-ND	.88 12.44	71600-110LF
16	0.976 (24.79)	609-1747-ND	1.31 18.14	71600-116LF
20	1.172 (29.78)	609-1748-ND	1.02 14.17	71600-120LF
26	1.476 (37.49)	609-1749-ND	1.10 14.88	71600-126LF
34	1.876 (47.65)	609-1750-ND	1.89 28.33	71600-134LF
40	2.176 (55.27)	609-1751-ND	1.68 25.32	71600-140LF
50	2.676 (67.97)	609-1752-ND	2.19 33.64	71600-150LF
<b>Center Key with Strain Relief</b>				
6	0.476 (12.09)	609-2841-ND	.74 9.79	71600-006LF
10	0.672 (17.07)	609-1739-ND	.96 12.88	71600-010LF
16	0.976 (24.79)	609-1740-ND	1.19 16.13	71600-016LF
20	1.172 (29.78)	609-1741-ND	.98 13.21	71600-020LF
26	1.476 (37.49)	609-1742-ND	1.49 21.90	71600-026LF
34	1.876 (47.65)	609-1743-ND	1.71 25.21	71600-034LF
40	2.176 (55.27)	609-1744-ND	1.39 19.94	71600-040LF
50	2.676 (67.97)	609-1745-ND	1.97 29.16	71600-050LF
<b>Center Key with Latching Strain Relief</b>				
6	0.476 (12.09)	609-3067-ND	.78 10.67	71600-606LF
10	0.672 (17.07)	609-3068-ND	.76 10.50	71600-610LF
16	0.976 (24.79)	609-3069-ND	1.00 13.82	71600-616LF
20	1.172 (29.78)	609-3070-ND	1.15 15.46	71600-620LF
26	1.476 (37.49)	609-3071-ND	1.24 17.26	71600-626LF
34	1.876 (47.65)	609-3072-ND	1.42 20.91	71600-634LF
40	2.176 (55.27)	609-3073-ND	1.56 23.04	71600-640LF
50	2.676 (67.97)	609-3074-ND	1.89 28.07	71600-650LF
<b>PC Board Mount</b>				
6	0.475 (12.08)	609-3082-ND	.68 8.67	69830-006LF
8	.0575 (14.62)	609-3083-ND	.74 10.16	69830-008LF
<b>Crimp Tool</b>				
Hand Press		609-1781-ND	2496.16/1	107484-002

**molex .100" (2.54mm) Round Conductor Flat Cable in Precut Lengths**

**26 AWG (7 x 34) Stranded, Topcoat**

**Features:** • Gray PVC insulation • UL Temperature Rating: -20°C - 105°C • UL Voltage: 300V maximum • UL Flammability Rating: VW-1 • UL Style No. 2651 • UL Recognized (File #E61522) • CSA Certification (File #LL61126)



No. of Pos.	Digi-Key Part No.	Pricing 1 10	Molex Part No.
3	WM03-02A-ND	.19 1.81	25001-0302
	WM03-04A-ND	.23 2.19	25001-0304
	WM03-06A-ND	.27 2.58	25001-0306
4	WM04-02A-ND	.26 2.47	25001-0402
	WM04-04A-ND	.32 3.06	25001-0404
	WM04-06A-ND	.40 3.80	25001-0406
5	WM05-02A-ND	.27 2.55	25001-0502
	WM05-04A-ND	.34 3.20	25001-0504
	WM05-06A-ND	.43 4.02	25001-0506
6	WM06-02A-ND	.28 2.64	25001-0602
	WM06-04A-ND	.35 3.34	25001-0604
	WM06-06A-ND	.45 4.25	25001-0606

No. of Pos.	Digi-Key Part No.	Pricing 1 10	Molex Part No.
7	WM07-02A-ND	.29 2.69	25001-0702
	WM07-04A-ND	.37 3.52	25001-0704
	WM07-06A-ND	.48 4.48	25001-0706
8	WM08-02A-ND	.29 2.78	25001-0802
	WM08-04A-ND	.39 3.69	25001-0804
	WM08-06A-ND	.50 4.73	25001-0806
9	WM09-02A-ND	.30 2.86	25001-0902
	WM09-04A-ND	.41 3.83	25001-0904
	WM09-06A-ND	.53 4.96	25001-0906
10	WM10-02A-ND	.31 2.95	25001-1002
	WM10-04A-ND	.43 4.02	25001-1004
	WM10-06A-ND	.56 5.24	25001-1006

No. of Pos.	Dim. S Inch (mm)	Dim. W (Ref.) Inch (mm)
3	200 (5.08)	300 (7.62)
4	300 (7.62)	400 (10.16)
5	400 (10.16)	500 (12.7)
6	500 (12.70)	600 (15.24)
7	600 (15.24)	700 (17.78)
8	700 (17.78)	800 (20.32)
9	800 (20.32)	900 (22.86)
10	900 (22.86)	1,000 (25.40)

**Free shipping on orders over £50! All prices are in British pound sterling and include duties.**

uk.digikey.com — FREEPHONE: 0-800-587-0991 • 0-800-904-7786 — FREEFAX: 0-800-587-0992 • 0-800-904-7783