



Mini D Ribbon (MDR) Connectors (Cont.)

Fig.	Color	No. of Pos.	Dim. A In. (mm)	Digi-Key Part No.	1	10	100	250	3M Part No.
12	—	68	2.37 (60.1)	3M1756-ND	9.82	8.26	7.46	7.08	10368-A200-00
		100	3.16 (80.2)	3M1757-ND	10.95	9.22	8.32	7.90	103A0-A200-00
		14	1.02 (25.8)	3M1758-ND	7.22	6.08	5.49	5.21	10314-A500-00
13	—	26	1.32 (33.5)	3M1759-ND	8.41	7.08	6.39	6.07	10326-A500-00
		36	1.57 (39.8)	3M1760-ND	8.56	7.21	6.51	6.18	10336-A500-00
		40	1.67 (42.4)	3M1761-ND	10.19	8.58	7.75	7.36	10340-A500-00
		50	1.92 (48.7)	3M1762-ND	9.51	8.01	7.23	6.87	10350-A500-00
		68	2.37 (60.1)	3M1763-ND	10.16	8.56	7.72	7.33	10368-A500-00

MDR Cable Assemblies — RoHS Compliant

Fig.	Color	Length	Digi-Key Part No.	1	10	100	250	3M Part No.	
14	Beige	26	.5 meters	MCA106-5-ND	39.23	34.33	32.61	30.65	14526-EZ58-050-02C
		26	1 meter	MCA107-1-ND	43.72	38.26	36.35	34.16	14526-EZ58-100-02C
		26	2 meters	MCA108-2-ND	52.71	46.13	43.82	41.19	14526-EZ58-200-02C
		26	3 meters	MCA109-3-ND	61.70	54.00	51.30	48.21	14526-EZ58-300-02C
		36	1 meter	MCA116-1-ND	51.84	45.37	43.10	40.51	14T36-SZ6B-100-0HC
		36	2 meters	MCA117-2-ND	59.26	51.86	49.27	46.31	14T36-SZ6B-200-0HC
		36	5 meters	MCA118-5-ND	84.93	74.32	70.61	66.36	14T36-SZ6B-500-0HC
		50	1 meter	MCA110-1-ND	75.29	65.89	62.59	58.83	14T50-SZWB-100-0NC
		50	2 meters	MCA111-2-ND	87.66	76.70	72.87	68.48	14T50-SZWB-200-0NC
		50	5 meters	MCA112-5-ND	128.95	112.84	107.19	100.75	14T50-SZWB-500-0NC
14	50	50	1 meter	MCA113-1-ND	77.03	67.40	64.03	60.18	14B50-SZWB-100-0NC
		50	2 meters	MCA114-2-ND	90.34	79.05	75.10	70.58	14B50-SZWB-200-0NC
		50	5 meters	MCA115-5-ND	131.11	114.73	108.99	102.43	14B50-SZWB-500-0NC

Digital Camera Cable — RoHS Compliant

Fig.	Color	Length	Digi-Key Part No.	1	10	100	3M Part No.		
15	Gray	26	2 meters	MCA124-2-ND	38.59	33.77	32.08	30.15	14B26-SZ38-200-03C
		26	5 meters	MCA123-5-ND	53.22	46.57	44.24	41.58	14B26-SZ38-500-03C
		26	10 meters	MCA122-10-ND	77.59	67.90	64.51	60.63	14B26-SZ38-A00-03C

High-Flex Digital Camera Cable — RoHS Compliant

Fig.	Color	Length	Digi-Key Part No.	1	10	100	3M Part No.		
15	Black	26	2 meters	MCA131-2-ND	57.87	50.64	48.11	45.22	14B26-SZ38-200-04C
		26	5 meters	MCA130-5-ND	79.82	69.84	66.35	62.36	14B26-SZ38-500-04C
		26	10 meters	MCA129-10-ND	116.39	101.85	96.76	90.94	14B26-SZ38-A00-04C

High Speed Digital CameraLink™ Cable, Right Angle — RoHS Compliant

Fig.	Color	Length	Digi-Key Part No.	1	10	100	3M Part No.		
16	Beige/Black	26	2 meters	MCA126-2-ND	84.88	74.27	70.56	66.32	14H26-SZLM-200-0LC
		26	5 meters	MCA125-5-ND	117.07	102.44	97.32	91.46	14H26-SZLM-500-0LC

Right Angle Digital Camera Cable — RoHS Compliant

Fig.	Color	Length	Digi-Key Part No.	1	10	100	3M Part No.		
16	Gray/Black	26	2 meters	MCA128-2-ND	72.15	63.13	59.98	56.37	14H26-SZ3M-200-03C
		26	5 meters	MCA127-5-ND	99.51	87.07	82.72	77.74	14H26-SZ3M-500-03C

Right Angle, High-Flex Digital Camera Cable — RoHS Compliant

Fig.	Color	Length	Digi-Key Part No.	1	10	100	3M Part No.		
16	Black	26	2 meters	MCA133-2-ND	89.13	77.99	74.09	69.64	14H26-SZ3M-200-04C
		26	5 meters	MCA132-5-ND	122.92	107.56	102.18	96.04	14H26-SZ3M-500-04C

◆ RoHS Compliant ‡ Over-molded 4-40 thumbscrew Δ Discrete 4-40 thumbscrew shell kit

Fig.	Description	Digi-Key Part No.	1	100	500	1,000	3M Part No.
Jack Sockets, .050" — RoHS Compliant							
17	M2.5/M2.5 #4-40/#4-40	MDVS10-ND	1.57	119.30	539.85	981.55	3341-10BULK
	M2.5/M2.5 #4-40/#4-40	MDVS16-ND	1.71	129.62	586.57	1066.49	3341-16BULK
	M2.5/M2.5 #4-40/#4-40	MDVS17-ND	1.29	97.50	441.23	802.23	3341-17KIT
	M2.5/M2.5 #4-40/#4-40	MDVS13-ND	1.13	86.03	389.32	707.85	3341-13BULK
	M2.5/M2.5 #4-40/#4-40	MDVS25-ND	2.18	165.18	747.49	1359.07	3341-25
	M2.5/M2.5 #4-40/#4-40	MDVS31-ND	1.26	95.21	430.84	783.35	3341-31BULK
	M2.5/M2.5 #4-40/#4-40	MDVS32-ND	1.45	110.12	498.33	906.05	3341-32BULK

Fig.	Description	Digi-Key Part No.	10	100	500	1,000	3M Part No.
Screws (Steel with Zinc Plating), .050" — RoHS Compliant							
18	Board Lock Screw, M2.6 x 8mm	MDVT26-ND*	2.61	18.30	76.23	139.39	3344-26
	Board Lock Screw, M2.5 x 6.0mm	MDVT03-ND*	8.28	57.93	241.40	441.41	3344-3
	Panel Mount Screw, M2.5 x 8.0mm	MDVT38-ND*	2.61	18.30	76.23	139.39	3344-38
	Board Lock Screw, #4-40 x 1/4"	MDVT04-ND*	8.06	56.41	235.04	429.79	3344-4
	Panel Mount Screw, #4-40 x 3/8"	MDVT44-ND*	9.15	64.03	266.81	487.87	3344-44

* Quantity of one equals one pair.

Shielded Compact Ribbon (SCR) Connectors



Features: • Robust ribbon style contact for reliable repetitive plugging • 360° shielding for excellent EMI protection • 10 contacts can carry signal or power (up to 1A per pin) • Polarized to provide proper cable insertion • Vibration resistant **Specifications:** • Insulation Material: Glass-filled LCP or Glass-filled Nylon • Flammability: UL 94V-0 • Color: Black • Contact Material: Phosphor Bronze or Copper Alloy • Shroud Material: Steel • Current Rating: 1A • Voltage Rating: 150VAC/200VDC • Temperature Rating: -55°C – 85°C

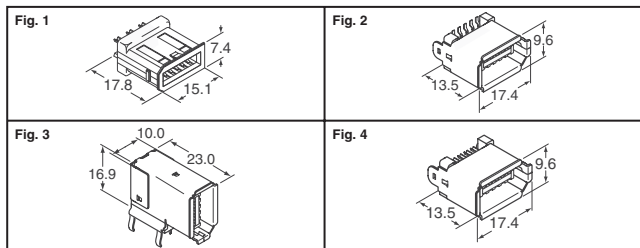


Fig.	Description	Digi Key Part No.	1	10	100	3M Part No.
1	Receptacle, Wiremount	3M6453-ND	2.64	2.23	2.01	36210-0100FD
1	Receptacle, Wiremount	3M6459-ND	2.72	2.29	2.07	36210-0100PL
2	Plug, SMT	3M6456-ND	4.92	4.15	3.74	36110-1110PL
3	Plug, Right Angle, Thru-Hole	3M6457-ND	4.24	3.57	3.23	36110-2220PE
4	Plug, Solder	3M6458-ND	3.99	3.36	3.03	36110-3000FD
Accessories						
—	Backshell for Receptacle	3M6454-ND	5.36	4.52	4.08	36310-3200-008
—	Backshell for Plug	3M6455-ND	5.97	5.02	4.54	36310-F200-008

SATA Connectors

Dimensions in mm

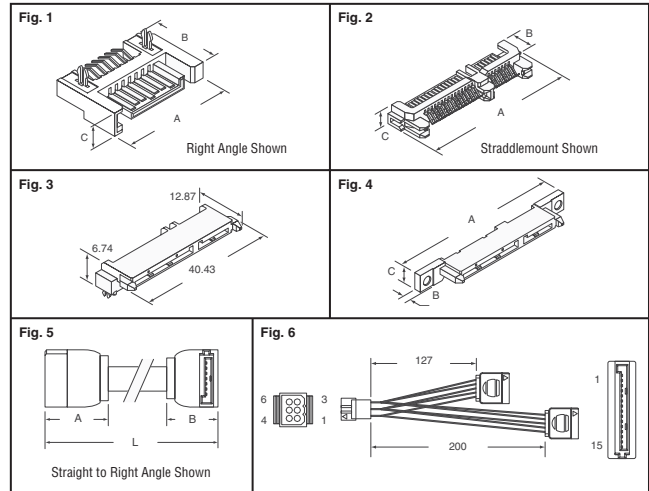


Fig.	Description	Dimensions — mm	No. of Pos.	Digi-Key Part No.	Price Each	3M Part No.
SATA Plugs						
1	R/A, SMT Gold Flash	17.46 11.50 4.00	7	3M5561-ND	.44 .33 .24	5607-4200-SH
	Vertical, PCB Gold Flash	16.78 8.40 5.70	7	3M5562-ND	.41 .32 .23	5607-5102-SH
2	Straddle mount 30µ"	45.77 7.25 5.73	22	3M5555-ND	1.57 1.18 .84	5622-6309-ML
	R/A, Thru-Hole 30µ"	42.76 5.60 11.00	22	3M5556-ND	1.70 1.28 .91	5622-4100-ML
SATA Receptacles						
3	R/A, SMT 30µ"	— — —	22	3M5560-ND	1.83 1.38 .98	5622-1200-ML
4	Vertical, SMT 30µ"	54.50 5.50 2.45	22	3M5557-ND	1.76 1.33 .95	5622-2222-ML
	Vertical, PCB 30µ"	42.73 5.00 14.15	22	3M5558-ND	1.76 1.33 .95	5622-2103-ML
	Vertical, Pressfit, 30µ"	42.73 10.00 14.15	22	3M5559-ND	1.83 1.38 .98	5622-2603-ML
SATA Signal Cables						
5	R/A to R/A, L=1m	12.5 12.5 —	7	3M5564-ND	2.24 1.69 1.20	5602-11-0000-000
	R/A to R/A, L=0.5M	12.5 12.5 —	7	3M5565-ND	2.00 1.51 1.07	5602-11-0000-500
	STR to R/A, L=1M	15.5 12.5 —	7	3M5566-ND	2.24 1.69 1.20	5602-21-0000-000
	STR to R/A, L=0.5M	15.5 12.5 —	7	3M5567-ND	2.00 1.51 1.07	5602-21-0000-500
	STR to STR, L=1M	15.5 15.5 —	7	3M5568-ND	2.24 1.69 1.20	5602-22-0000-000
	STR to STR, L=0.5M	15.5 15.5 —	7	3M5743-ND	2.00 1.51 1.07	5602-22-0000-500
Power Cable						
6	"Y" Configuration	— — —	15	3M5563-ND	3.40 2.55 1.82	5601-22-127-200

§ With mounting flange

SDR Connectors and Cable Assemblies



Dimensions in Inches (mm)

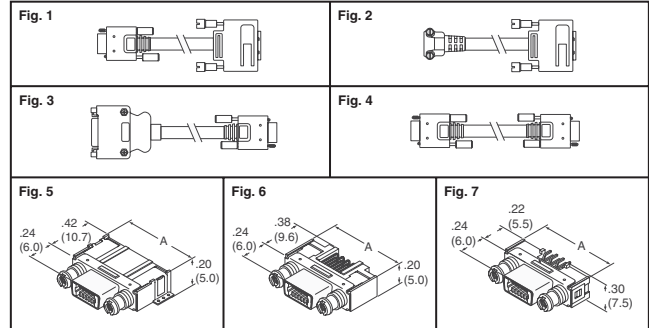


Fig.	Description	No. of Pos.	Dim. A In. (mm)	Digi-Key Part No.	Price Each	3M Part No.
1	MDR Recept. - SDR Plug	26	—	MCA100-5-ND	159.68 139.73 124.76	1MF26-L560-00C-500
2	R/A SDR Plug - MDR Plug	26	—	MCA101-2-ND	139.39 121.97 108.90	1MF26-L576-00C-200
	R/A MDR Plug - SDR Plug	26	—	MCA102-5-ND	181.04 158.41 141.44	1MF26-L586-00C-500
3	MDR Recept. - SDR Plug	26	—	MCA103-2-ND	143.46 125.53 112.08	1MG26-LF00-00C-200
4	SDR Plug - SDR Plug	26	—	MCA104-5-ND	235.49 206.06 183.98	1SF26-L120-00C-500
	R/A SDR Plug - SDR Plug	26	—	MCA105-2-ND	215.80 188.83 168.60	1SF26-L136-00C-200
5	Header - SMT, R/A	14	.79 (20)	MSDS14-ND	6.90 5.81 5.25	12214-8250-00FR
		26	.98 (24.8)	MSDS26-ND	7.62 6.42 5.80	12226-8250-00FR
6	Header - Thru-Hole, R/A	14	.79 (20)	MSDR14-ND	5.75 4.85 4.38	12214-5150-00FR
		26	.98 (24.8)	MSDR26-ND	6.48 5.46 4.93	12226-5150-00FR
		50	1.35 (34.4)	MSDR50-ND	8.62 7.26 6.55	12250-5150-00FR
7	Header - Thru-Hole, Vert.	14	.79 (20)	MSDV14-ND	5.47 4.60 4.16	12214-1150-00FR
		26	.98 (24.8)	MSDV26-ND	6.19 5.21 4.71	12226-1150-00FR

Free shipping on orders over £50! All prices are in British pound sterling and include duties.

uk.digikey.com — FREEPHONE: 0-800-587-0991 • 0-800-904-7786 — FREEFAX: 0-800-587-0992 • 0-800-904-7783