

# 3M Mini D Ribbon (MDR) Connectors

Dimensions in Inches (mm)

A

**Fig. 1 — IDC Wiremount**

• Glass Reinforced Polyester (PBT) • UL 94V-0  
• Wiping Area: 30µ" minimum Gold • Wire Accommodation: Gray, 26AWG Solid, Black, 28AWG Stranded, 30AWG Solid • IEEE 1284C Interface as a 36 Contact Connector

**Fig. 2 — Solder Connector**

• Glass Reinforced Polyester (PCT) • UL 94V-0 • Wiping Area: 20µ" minimum Gold  
• Solder Area: Tin-Lead • Wire Accommodation: 24, 26, 28 and 30AWG  
**Note:** Use only unshielded backshell 103xx-52F0-008 or 103xx-52A0-008

**Fig. 3 — Boardmount Thru-Hole Right Angle**

• Glass Reinforced Polyester (PCT) • UL 94V-0 • Wiping Area: 30µ" minimum Gold • IEEE 1284C Interface as a 36 Contact Connector

**Fig. 4 — IDC Wiremount Panelmount**

• Glass Reinforced Polyester (PBT) • UL 94V-0 • Wiping Area: 30µ" minimum Gold • Wire Accommodation: 28AWG Stranded, 30AWG Solid • IEEE 1284C Interface as a 36 Contact Connector • Interface latch

**Fig. 5 — Boardmount Thru-Hole Right Angle**

• Glass Reinforced Polyester (PBT) • UL 94V-0 • Wiping Area: 30µ" minimum Gold • Interface latch

**Fig. 6 — Boardmount Thru-Hole Vertical**

• Glass Reinforced Polyester (PBT) • UL 94V-0 • Wiping Area: 30µ" minimum Gold • IEEE 1284C Interface as a 36 Contact Connector • Interface latch

**Fig. 7 — Surface Mount Right Angle**

• Glass Reinforced Polyester (PCT) • UL 94V-0 • Wiping Area: 20µ" minimum Gold • Interface latch

**Fig. 8 — Surface Mount Right Angle**

• Glass Reinforced Polyester (PCT) • UL 94V-0 • Wiping Area: 20µ" minimum Gold • Interface latch

**Fig. 9 — Boardmount Compliant Pin Vertical**

• Glass Reinforced Polyester (PBT) • UL 94V-0 • Wiping Area: 30µ" minimum Gold • Tails: Gold Flash

**Fig. 10 — Plastic Shielded Junction Shell for Round Cable**

• Outer Shell Material: ABS • UL 94V-0  
• Inner Shell Material: Steel, .020" • Plating: Nickel

**Fig. 11 — Plastic Solder Junction Shell, Non-Shielded**

• Glass Reinforced Polyester (PBT) • UL 94V-0  
• Quick release metal latching mechanism

**Fig. 12 — Metal Junction Shell for Round Cable**

• Material: Aluminum, .050" • Plating: Nickel

**Fig. 13 — 60° Metal Junction Shell for Round Cable**

• Material: Aluminum, .050" • Plating: Nickel

**Fig. 14 — MDR Cable Assembly Plug**

Dimension A = Length (from Strain Relief to Strain Relief)

**Fig. 15 — Rugged Thumb-screw Retention and EMI Shielded Junction Shell**

Dimension A = Length (from Strain Relief to Strain Relief)

**Fig. 16 — Rugged Thumbscrew Retention and EMI Shielded Junction Shell**

Dimension A = Length (from Strain Relief to Strain Relief)

**Fig. 17 — I/O Mounting Hardware**

3M #	A	B	C	D
3341-10	.35(8.9)	M2.5	.30(7.6)	230 DP
3341-16	.35(8.9)	#4-40	.30(7.6)	230 DP
3341-17	.35(8.9)	#4-40	.30(7.6)	230 DP
3341-18	.35(8.9)	M2.5	.30(7.6)	230 DP
3341-25	.41(10.5)	M2.5	.12(3.0)	120 DP
3341-31	.40(10.2)	M2.5	.15(3.8)	100 DP
3341-32	.50(12.5)	M2.5	.30(7.6)	.203 DP

• Material: Stainless Steel • Plating: Passivated

**Fig. 18 — Board Lock and Panel Mounting Screws**

3M #	A
3344-26	M2.6 x 8mm
3344-3	M2.5 x 6mm
3344-38	M2.5 x 8mm
3344-4	#4-40 x 1/4
3344-44	#4-40 x 3/8

• Material: Steel • Plating: Zinc

Fig.	Color	No. of Pos.	Dim. A In. (mm)	Digi-Key Part No.	1	Price Each 10	250	3M Part No.	
<b>Plugs — Shielded, .050" — RoHS Compliant</b>									
1	Black	14	.72 (18.2)	MPB14A-ND	3.54	2.98	2.69	2.55	10114-6000EC
		20	.87 (22.0)	MPB20A-ND	3.65	3.08	2.78	2.64	10120-6000EC
		26	1.02 (25.8)	MPB26A-ND	3.78	3.18	2.87	2.73	10126-6000EC
		36	1.27 (32.2)	MPB36A-ND	4.53	3.82	3.45	3.27	10136-6000EC
		40	1.37 (34.7)	MPB40A-ND	4.68	3.94	3.56	3.38	10140-6000EC
	Gray	14	1.62 (41.1)	MPB50A-ND	4.99	4.21	3.80	3.61	10150-6000EC
		68	2.07 (52.5)	MPB68A-ND	5.13	4.32	3.91	3.71	10168-6000EC
		80	2.37 (60.1)	MPB80A-ND	6.24	5.25	4.74	4.50	10180-6000EC
		100	2.87 (72.8)	MPB100A-ND	7.41	6.24	5.64	5.35	101A0-6000EC
		68	2.07 (52.5)	MPA68A-ND	4.71	3.97	3.58	3.40	10168-6010EC
2	Black	14	.72 (18.2)	3M1767-ND	4.65	3.92	3.54	3.36	10114-3000PE
		20	.87 (22.0)	3M1768-ND	5.06	4.26	3.85	3.65	10120-3000PE
		26	1.02 (25.8)	3M1769-ND	5.65	4.76	4.30	4.08	10126-3000PE
		36	1.27 (32.2)	3M1770-ND	6.00	5.05	4.56	4.33	10136-3000PE
		40	1.37 (34.7)	3M1771-ND	6.28	5.29	4.78	4.54	10140-3000PE
	Beige	14	1.62 (41.1)	3M1772-ND	6.78	5.71	5.16	4.89	10150-3000PE
		20	1.31 (33.3)	3M1806-ND	9.90	8.34	7.53	7.15	10120-52B2PC
		26	1.46 (37.2)	3M1807-ND	10.27	8.64	7.81	7.41	10126-52B2PC
		36	1.71 (43.5)	3M1808-ND	10.64	8.96	8.09	7.68	10136-52B2PC
		50	2.06 (52.4)	3M1809-ND	11.12	9.36	8.45	8.02	10150-52B2PC
<b>Receptacles — Shielded, .050"</b>									
4	Black	20	1.31 (33.4)	MRB20A-ND	6.45	5.43	4.90	4.65	10220-0210EC
		26	1.46 (37.2)	MRB26A-ND	6.98	5.87	5.30	5.04	10226-0210EC
		36	1.71 (43.5)	MRB36A-ND	7.82	6.59	5.95	5.65	10236-0210EC
		40	1.81 (46.1)	MRB40A-ND	8.22	6.92	6.25	5.93	10240-0210EC
		50	2.06 (52.4)	MRB50A-ND	9.09	7.65	6.91	6.56	10250-0210EC
	Beige	68	2.51 (63.8)	MRB68A-ND	10.61	8.94	8.07	7.66	10268-0210EC
		14	1.16 (29.6)	3M1811-ND	3.05	2.57	2.32	2.20	10214-55G3PC
		20	1.31 (33.4)	3M1814-ND	2.70	2.28	2.06	1.95	10220-55G3PC
		26	1.46 (37.2)	3M1815-ND	3.17	2.67	2.41	2.29	10226-55H3PC
		36	1.71 (43.5)	3M1818-ND	2.93	2.47	2.23	2.12	10236-55G3PC
5	Beige	36	1.71 (43.5)	3M1820-ND	3.22	2.71	2.45	2.32	10236-55G3PC
		40	1.81 (46.1)	3M1821-ND	3.22	2.71	2.45	2.32	10236-55H3PC
		50	2.06 (52.4)	3M1824-ND	3.99	3.36	3.03	2.88	10240-55G3PC
		68	2.51 (63.8)	3M1766-ND	3.78	3.18	2.87	2.73	10250-55H3PC
		68	2.51 (63.8)	3M1828-ND	4.91	4.13	3.73	3.54	10268-55H3PC
	Black	68	2.51 (63.8)	3M1822-ND	7.86	6.61	5.97	5.67	10268-5JBEP
		14	1.16 (29.5)	3M1812-ND	3.29	2.77	2.51	2.38	10214-6212PC
		20	1.31 (33.4)	3M1816-ND	3.46	2.91	2.63	2.50	10220-6212PC
		26	1.46 (37.2)	3M1819-ND	3.58	3.02	2.72	2.59	10226-6212PC
		36	1.71 (43.5)	3M1822-ND	3.69	3.10	2.80	2.66	10236-6212PC
6	Black	40	1.81 (46.1)	3M1724-ND	3.70	3.12	2.82	2.67	10240-6212VC

Fig.	Color	No. of Pos.	Dim. A In. (mm)	Digi-Key Part No.	1	Price Each 10	250	3M Part No.					
6	Black	40	1.81 (46.1)	3M1825-ND	3.85	3.24	2.93	2.78	10240-6212PC				
		50	2.06 (52.4)	3M1827-ND	4.08	3.43	3.10	2.95	10250-6212PC				
		68	2.51 (63.8)	3M1829-ND	4.77	4.02	3.63	3.45	10268-6212PC				
		80	2.81 (71.5)	3M1830-ND	6.43	5.42	4.89	4.64	10280-6212PC				
		100	3.31 (84.2)	3M1831-ND	6.88	5.80	5.24	4.97	10240-6212PC				
		7	Beige	14	1.16 (29.5)	3M1810-ND	5.50	4.63	4.18	3.97	10214-1210PE		
				20	1.32 (33.4)	3M1813-ND	5.62	4.73	4.27	4.06	10220-1210PE		
				26	1.50 (38.2)	3M1731-ND	5.62	4.73	4.27	4.06	10226-1210PE		
				26	1.50 (38.2)	3M1817-ND	5.84	4.92	4.44	4.22	10226-1210PE		
				40	1.85 (47.1)	3M1823-ND	6.75	5.68	5.13	4.87	10240-1210PE		
8	Beige			50	2.06 (52.4)	3M1733-ND	6.80	5.72	5.17	4.91	10250-1210PE		
				50	2.06 (52.4)	3M1826-ND	7.06	5.95	5.37	5.10	10250-1210PE		
				14	1.16 (29.5)	3M6469-ND	5.87	4.95	4.47	4.24	10214-1S10PE		
				20	1.31 (33.3)	3M6470-ND	6.00	5.05	4.56	4.33	10220-1S10PE		
				26	1.46 (37.2)	3M6471-ND	6.24	5.25	4.74	4.50	10226-1S10PE		
		9	Black	40	1.81 (46.1)	3M6472-ND	7.20	6.07	5.48	5.20	10240-1S10PE		
				50	2.06 (52.4)	3M6473-ND	7.55	6.36	5.74	5.45	10250-1S10PE		
				14	1.16 (29.5)	3M1734-ND	6.31	5.32	4.80	4.56	10214-R21TS		
				36	1.71 (43.5)	3M1735-ND	6.67	5.62	5.08	4.82	10236-R21TS		
				40	1.81 (46.1)	3M1736-ND	6.80	5.72	5.17	4.91	10240-R21TS		
10	Beige			68	2.51 (63.8)	3M1737-ND	7.91	6.66	6.02	5.71	10268-R21TS		
				80	2.81 (71.5)	3M1738-ND	10.78	9.08	8.20	7.78	10280-R21TS		
				<b>Connector Junction Shells — .050" — RoHS Compliant</b>									
				10	Beige	14	1.02 (25.9)	3M1739-ND	3.40	2.86	2.59	2.46	10314-3210-000
						20	1.17 (29.7)	3M1740-ND	2.95	2.48	2.24	2.13	10320-3210-000
		26	1.32 (33.5)			3M1741-ND	3.01	2.53	2.29	2.17	10326-3210-000		
		36	1.57 (39.8)			3M1742-ND	3.06	2.58	2.33	2.22	10336-3210-000		
		40	1.67 (42.4)			3M1765-ND	3.47	2.93	2.64	2.51	10340-3210-000		
		11	Black			50	1.92 (48.7)	3M1743-ND	3.16	2.66	2.40	2.28	10350-3210-000
						68	2.37 (60.1)	3M1744-ND	3.23	2.72	2.46	2.34	10368-3210-000
14	1.16 (29.5)					3M1745-ND	5.07	4.27	3.86	3.66	10314-A220-008		
20	1.31 (33.3)					3M1746-ND	5.23	4.40	3.97	3.77	10320-A220-008		
26	1.46 (37.2)					3M1747-ND	5.37	4.53	4.09	3.88	10326-A220-008		
12	—			36	1.71 (43.5)	3M1748-ND	5.44	4.58	4.13	3.93	10336-A220-008		
				50	2.06 (52.4)	3M1749-ND	5.59	4.71	4.25	4.03	10350-A220-008		
				14	1.01 (25.8)	3M1750-ND	8.28	6.97	6.29	5.97	10314-A200-000		
				20	1.17 (29.7)	3M1751-ND	7.37	6.20	5.60	5.32	10320-A200-000		
				26	1.32 (33.5)	3M1752-ND	7.93	6.67	6.03	5.72	10326-A200-000		
		12	—	36	1.57 (39.8)	3M1753-ND	8.38	7.06	6.37	6.05	10336-A200-000		
				40	1.67 (42.4)	3M1754-ND	8.99	7.56	6.83	6.48	10340-A200-000		
				50	1.92 (48.7)	3M1755-ND	9.37	7.88	7.12	6.76	10350-A200-000		

♦ RoHS Compliant ‡ Over-molded 4-40 thumbscrew  
Δ Discrete 4-40 thumbscrew shell kit

(Continued)

Free shipping on orders over £50! All prices are in British pound sterling and include duties.



# Mini D Ribbon (MDR) Connectors (Cont.)

Fig.	Color	No. of Pos.	Dim. A In. (mm)	Digi-Key Part No.	1	10	100	250	3M Part No.
12	—	68	2.37 (60.1)	3M1756-ND	9.82	8.26	7.46	7.08	10368-A200-00
		100	3.16 (80.2)	3M1757-ND	10.95	9.22	8.32	7.90	103A0-A200-00
		14	1.02 (25.8)	3M1758-ND	7.22	6.08	5.49	5.21	10314-A500-00
13	—	26	1.32 (33.5)	3M1759-ND	8.41	7.08	6.39	6.07	10326-A500-00
		36	1.57 (39.8)	3M1760-ND	8.56	7.21	6.51	6.18	10336-A500-00
		40	1.67 (42.4)	3M1761-ND	10.19	8.58	7.75	7.36	10340-A500-00
		50	1.92 (48.7)	3M1762-ND	9.51	8.01	7.23	6.87	10350-A500-00
		68	2.37 (60.1)	3M1763-ND	10.16	8.56	7.72	7.33	10368-A500-00

### MDR Cable Assemblies — RoHS Compliant

Fig.	Color	Length	Digi-Key Part No.	1	10	100	250	3M Part No.	
14	Beige	26	.5 meters	MCA106-5-ND	39.23	34.33	32.61	30.65	14526-EZ58-050-02C
		26	1 meter	MCA107-1-ND	43.72	38.26	36.35	34.16	14526-EZ58-100-02C
		26	2 meters	MCA108-2-ND	52.71	46.13	43.82	41.19	14526-EZ58-200-02C
		26	3 meters	MCA109-3-ND	61.70	54.00	51.30	48.21	14526-EZ58-300-02C
		36	1 meter	MCA116-1-ND‡	51.84	45.37	43.10	40.51	14T36-SZ6B-100-0HC
		36	2 meters	MCA117-2-ND‡	59.26	51.86	49.27	46.31	14T36-SZ6B-200-0HC
		36	5 meters	MCA118-5-ND‡	84.93	74.32	70.61	66.36	14T36-SZ6B-500-0HC
		50	1 meter	MCA110-1-ND‡	75.29	65.89	62.59	58.83	14T50-SZWB-100-0NC
		50	2 meters	MCA111-2-ND‡	87.66	76.70	72.87	68.48	14T50-SZWB-200-0NC
		50	5 meters	MCA112-5-ND‡	128.95	112.84	107.19	100.75	14T50-SZWB-500-0NC
14	50	50	1 meter	MCA113-1-ND‡	77.03	67.40	64.03	60.18	14B50-SZWB-100-0NC
		50	2 meters	MCA114-2-ND‡	90.34	79.05	75.10	70.58	14B50-SZWB-200-0NC
		50	5 meters	MCA115-5-ND‡	131.11	114.73	108.99	102.43	14B50-SZWB-500-0NC

### Digital Camera Cable — RoHS Compliant

Fig.	Color	Length	Digi-Key Part No.	1	10	100	3M Part No.		
15	Gray	26	2 meters	MCA124-2-ND	38.59	33.77	32.08	30.15	14B26-SZ38-200-03C
		26	5 meters	MCA123-5-ND	53.22	46.57	44.24	41.58	14B26-SZ38-500-03C
		26	10 meters	MCA122-10-ND	77.59	67.90	64.51	60.63	14B26-SZ38-A00-03C

### High-Flex Digital Camera Cable — RoHS Compliant

Fig.	Color	Length	Digi-Key Part No.	1	10	100	3M Part No.		
15	Black	26	2 meters	MCA131-2-ND	57.87	50.64	48.11	45.22	14B26-SZ38-200-04C
		26	5 meters	MCA130-5-ND	79.82	69.84	66.35	62.36	14B26-SZ38-500-04C
		26	10 meters	MCA129-10-ND	116.39	101.85	96.76	90.94	14B26-SZ38-A00-04C

### High Speed Digital CameraLink™ Cable, Right Angle — RoHS Compliant

Fig.	Color	Length	Digi-Key Part No.	1	10	100	3M Part No.		
16	Beige/Black	26	2 meters	MCA126-2-ND	84.88	74.27	70.56	66.32	14H26-SZLM-200-0LC
		26	5 meters	MCA125-5-ND	117.07	102.44	97.32	91.46	14H26-SZLM-500-0LC

### Right Angle Digital Camera Cable — RoHS Compliant

Fig.	Color	Length	Digi-Key Part No.	1	10	100	3M Part No.		
16	Gray/Black	26	2 meters	MCA128-2-ND	72.15	63.13	59.98	56.37	14H26-SZ3M-200-03C
		26	5 meters	MCA127-5-ND	99.51	87.07	82.72	77.74	14H26-SZ3M-500-03C

### Right Angle, High-Flex Digital Camera Cable — RoHS Compliant

Fig.	Color	Length	Digi-Key Part No.	1	10	100	3M Part No.		
16	Black	26	2 meters	MCA133-2-ND	89.13	77.99	74.09	69.64	14H26-SZ3M-200-04C
		26	5 meters	MCA132-5-ND	122.92	107.56	102.18	96.04	14H26-SZ3M-500-04C

◆ RoHS Compliant ‡ Over-molded 4-40 thumbscrew Δ Discrete 4-40 thumbscrew shell kit

Fig.	Description	Digi-Key Part No.	1	100	500	1,000	3M Part No.
<b>Jack Sockets, .050" — RoHS Compliant</b>							
17	M2.5/M2.5 #4-40/#4-40	MDVS10-ND	1.57	119.30	539.85	981.55	3341-10BULK
	M2.5/M2.5 #4-40/#4-40	MDVS16-ND	1.71	129.62	586.57	1066.49	3341-16BULK
	M2.5/M2.5 #4-40/#4-40	MDVS17-ND	1.29	97.50	441.23	802.23	3341-17KIT
	M2.5/M2.5 #4-40/#4-40	MDVS13-ND	1.13	86.03	389.32	707.85	3341-13BULK
	M2.5/M2.5 #4-40/#4-40	MDVS25-ND	2.18	165.18	747.49	1359.07	3341-25
	M2.5/M2.5 #4-40/#4-40	MDVS31-ND	1.26	95.21	430.84	783.35	3341-31BULK
	M2.5/M2.5 #4-40/#4-40	MDVS32-ND	1.45	110.12	498.33	906.05	3341-32BULK

Fig.	Description	Digi-Key Part No.	10	100	500	1,000	3M Part No.
<b>Screws (Steel with Zinc Plating), .050" — RoHS Compliant</b>							
18	Board Lock Screw, M2.6 x 8mm	MDVT26-ND*	2.61	18.30	76.23	139.39	3344-26
	Board Lock Screw, M2.5 x 6.0mm	MDVT03-ND*	8.28	57.93	241.40	441.41	3344-3
	Panel Mount Screw, M2.5 x 8.0mm	MDVT38-ND*	2.61	18.30	76.23	139.39	3344-38
	Board Lock Screw, #4-40 x 1/4"	MDVT04-ND*	8.06	56.41	235.04	429.79	3344-4
	Panel Mount Screw, #4-40 x 3/8"	MDVT44-ND*	9.15	64.03	266.81	487.87	3344-44

\* Quantity of one equals one pair.

# Shielded Compact Ribbon (SCR) Connectors



**Features:** • Robust ribbon style contact for reliable repetitive plugging • 360° shielding for excellent EMI protection • 10 contacts can carry signal or power (up to 1A per pin) • Polarized to provide proper cable insertion • Vibration resistant **Specifications:** • Insulation Material: Glass-filled LCP or Glass-filled Nylon • Flammability: UL 94V-0 • Color: Black • Contact Material: Phosphor Bronze or Copper Alloy • Shroud Material: Steel • Current Rating: 1A • Voltage Rating: 150VAC/200VDC • Temperature Rating: -55°C – 85°C

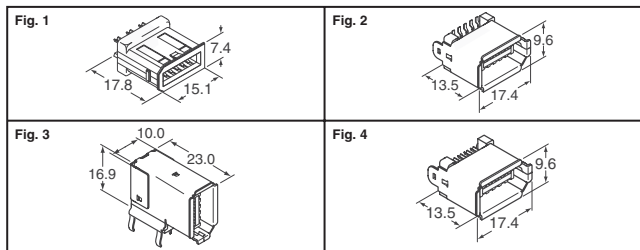


Fig.	Description	Digi Key Part No.	1	10	100	3M Part No.
1	Receptacle, Wiremount	3M6453-ND	2.64	2.23	2.01	36210-0100FD
1	Receptacle, Wiremount	3M6459-ND	2.72	2.29	2.07	36210-0100PL
2	Plug, SMT	3M6456-ND	4.92	4.15	3.74	36110-1110PL
3	Plug, Right Angle, Thru-Hole	3M6457-ND	4.24	3.57	3.23	36110-2220PE
4	Plug, Solder	3M6458-ND	3.99	3.36	3.03	36110-3000FD
<b>Accessories</b>						
—	Backshell for Receptacle	3M6454-ND	5.36	4.52	4.08	36310-3200-008
—	Backshell for Plug	3M6455-ND	5.97	5.02	4.54	36310-F200-008

# SATA Connectors

Dimensions in mm

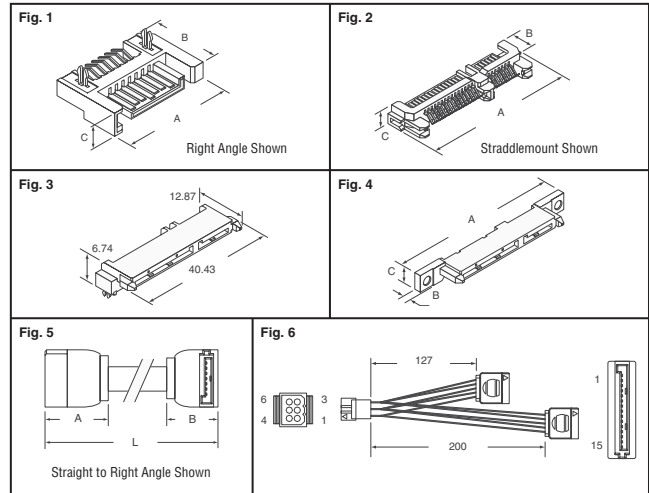


Fig.	Description	Dimensions — mm	No. of Pos.	Digi-Key Part No.	Price Each	3M Part No.
<b>SATA Plugs</b>						
1	R/A, SMT Gold Flash	17.46 11.50 4.00	7	3M5561-ND	.44 .33 .24	5607-4200-SH
	Vertical, PCB Gold Flash	16.78 8.40 5.70	7	3M5562-ND	.41 .32 .23	5607-5102-SH
2	Straddle mount 30µ"	45.77 7.25 5.73	22	3M5558-ND	1.57 1.18 .84	5622-6309-ML
	R/A, Thru-Hole 30µ"	42.76 5.60 11.00	22	3M5556-ND	1.70 1.28 .91	5622-4100-ML
<b>SATA Receptacles</b>						
3	R/A, SMT 30µ"	— — —	22	3M5560-ND	1.83 1.38 .98	5622-1200-ML
4	Vertical, SMT 30µ"	54.50 5.50 2.45	22	3M5557-ND§	1.76 1.33 .95	5622-2222-ML
	Vertical, PCB 30µ"	42.73 5.00 14.15	22	3M5558-ND	1.76 1.33 .95	5622-2103-ML
	Vertical, Pressfit, 30µ"	42.73 10.00 14.15	22	3M5559-ND	1.83 1.38 .98	5622-2603-ML
<b>SATA Signal Cables</b>						
5	R/A to R/A, L=1m	12.5 12.5 —	7	3M5564-ND	2.24 1.69 1.20	5602-11-0000-000
	R/A to R/A, L=0.5M	12.5 12.5 —	7	3M5565-ND	2.00 1.51 1.07	5602-11-0000-500
	STR to R/A, L=1M	15.5 12.5 —	7	3M5566-ND	2.24 1.69 1.20	5602-21-0000-000
	STR to R/A, L=0.5M	15.5 12.5 —	7	3M5567-ND	2.00 1.51 1.07	5602-21-0000-500
	STR to STR, L=1M	15.5 15.5 —	7	3M5568-ND	2.24 1.69 1.20	5602-22-0000-000
	STR to STR, L=0.5M	15.5 15.5 —	7	3M5743-ND	2.00 1.51 1.07	5602-22-0000-500
<b>Power Cable</b>						
6	"Y" Configuration	— — —	15	3M5563-ND	3.40 2.55 1.82	5601-22-127-200

§ With mounting flange

# SDR Connectors and Cable Assemblies



Dimensions in Inches (mm)

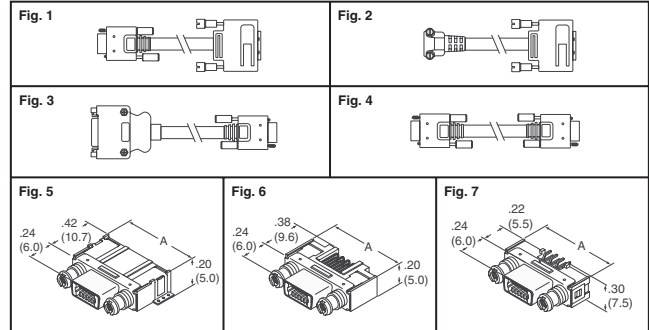


Fig.	Description	No. of Pos.	Dim. A In. (mm)	Digi-Key Part No.	Price Each	3M Part No.
1	MDR Recept. - SDR Plug	26	—	MCA100-5-ND	159.68 139.73 124.76	1MF26-L560-00C-500
2	R/A SDR Plug - MDR Plug	26	—	MCA101-2-ND	139.39 121.97 108.90	1MF26-L576-00C-200
	R/A MDR Plug - SDR Plug	26	—	MCA102-5-ND	181.04 158.41 141.44	1MF26-L586-00C-500
3	MDR Recept. - SDR Plug	26	—	MCA103-2-ND	143.46 125.53 112.08	1MG26-LF00-00C-200
4	SDR Plug - SDR Plug	26	—	MCA104-5-ND	235.49 206.06 183.98	1SF26-L120-00C-500
	R/A SDR Plug - SDR Plug	26	—	MCA105-2-ND	215.80 188.83 168.60	1SF26-L136-00C-200
5	Header - SMT, R/A	14	.79 (20)	MSDS14-ND	6.90 5.81 5.25	12214-8250-00FR
		26	.98 (24.8)	MSDS26-ND	7.62 6.42 5.80	12226-8250-00FR
6	Header - Thru-Hole, R/A	14	.79 (20)	MSDR14-ND	5.75 4.85 4.38	12214-5150-00FR
		26	.98 (24.8)	MSDR26-ND	6.48 5.46 4.93	12226-5150-00FR
		50	1.35 (34.4)	MSDR50-ND	8.62 7.26 6.55	12250-5150-00FR
7	Header - Thru-Hole, Vert.	14	.79 (20)	MSDV14-ND	5.47 4.60 4.16	12214-1150-00FR
		26	.98 (24.8)	MSDV26-ND	6.19 5.21 4.71	12226-1150-00FR

Free shipping on orders over £50! All prices are in British pound sterling and include duties.

uk.digikey.com — FREEPHONE: 0-800-587-0991 • 0-800-904-7786 — FREEFAX: 0-800-587-0992 • 0-800-904-7783