

Dimensions in mm

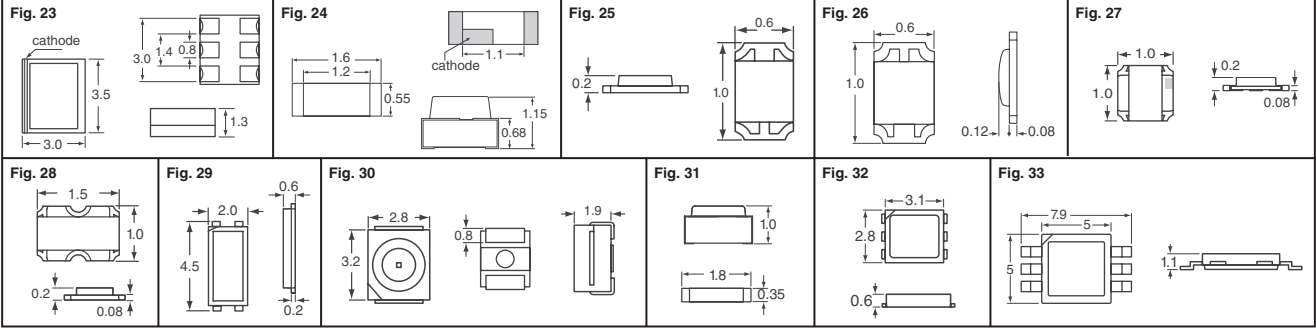


Table with columns: Fig., Package Type, Emitted Color, Lens, Wavelength (nm), Forward Voltage (Typ.) (V), Forward Current (Typ.) (mA), Luminous Intensity (mcd @ IF (mA)), View Angle, Digi-Key Part No., Cut Tape Pricing (Qty. 1, 25, 100), Tape and Reel Pricing (Qty., Pricing), and Rohm Part No.

† For Tape and Reel part number, change 1-ND to 2-ND. ‡ Bulk § For Tape and Box part number, change 1-ND to 3-ND; Tape and Box pricing shown.

Digi-Reel® Most SMT cutdown parts are available on a Digi-Reel®. For Digi-Reel part number, change 1-ND to 6-ND or CT-ND to DKR-ND. See Digi-Key® Services on page 2 for additional information.

Free shipping on orders over £50! All prices are in British pound sterling and include duties.

2656 (UK2011-EN) www.digikey.co.uk — FREEPHONE: 0-800-587-0991 • 0-800-904-7786 — FREEFAX: 0-800-587-0992 • 0-800-904-7783