



Chokes for Power Lines — Current Compensated Ring Core Double Chokes



Construction: • Current-compensated ring core double choke with ferrite core • Polycarbonate case
 • Polyurethane potting • Sector winding
Features: • Case and potting flame-retardant per UL94V-0 • High resonance frequency owing to a

special winding technique • Approximately 1% stray inductance for symmetrical interference suppression
Specifications: • Rated voltage: 250VAC • Test voltage: 1500VAC for 2 seconds (line/line) • Inductance tolerance: ±30%

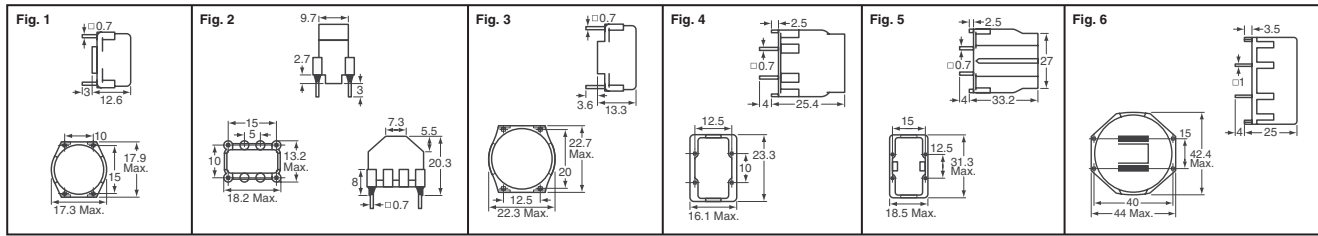


Fig.	Inductance (µH)	DC Res. Typical (Ω)	Current Rating (mA)	Digi-Key Part No.	Price Each			Epcos Part No.
					1	10	100	
1	400	0.035	3600	495-2726-ND	2.57	1.93	1.51	B82721A2362N1
	400	0.06	2600	495-2725-ND	2.57	1.93	1.51	B82721A2262N1
	1000	0.09	2000	495-2724-ND	2.57	1.93	1.51	B82721A2202N1
	3300	0.19	1500	495-2723-ND	2.57	1.93	1.51	B82721A2152N1
	6800	0.28	1200	495-2722-ND	1.98	1.49	1.16	B82721A2122N20
	10000	0.6	700	495-2730-ND	2.57	1.93	1.51	B82721A2701N20
2	18000	1.5	500	495-2729-ND	2.57	1.93	1.51	B82721A2501N1
	27000	1.7	400	495-2728-ND	2.57	1.93	1.51	B82721A2401N21
	39000	2.0	400	495-2727-ND	3.16	2.38	1.85	B82721A2401N20
	400	0.035	3600	495-2735-ND	2.18	1.64	1.27	B82721K2362N1
	400	0.06	2600	495-2734-ND	2.18	1.64	1.27	B82721K2262N1
	1000	0.09	2000	495-2733-ND	2.18	1.64	1.27	B82721K2202N1
3	3300	0.19	1500	495-2732-ND	2.18	1.64	1.27	B82721K2152N1
	6800	0.28	1200	495-2731-ND	2.18	1.64	1.27	B82721K2122N20
	10000	0.6	700	495-2739-ND	2.18	1.64	1.27	B82721K2701N20
	18000	1.5	500	495-2738-ND	2.18	1.64	1.27	B82721K2501N1

Fig.	Inductance (µH)	DC Res. Typical (Ω)	Current Rating (mA)	Digi-Key Part No.	Price Each			Epcos Part No.
					1	10	100	
2	27000	1.7	400	495-2737-ND	2.18	1.64	1.27	B82721K2401N21
	39000	2.0	400	495-2736-ND	2.18	1.64	1.27	B82721K2401N20
3	1200	0.056	3000	495-2743-ND	2.13	1.61	1.25	B82722A2302N1
	2200	0.13	2000	495-2741-ND	2.13	1.61	1.25	B82722A2202N1
	10000	0.48	1000	495-2740-ND	2.13	1.61	1.25	B82722A2102N1
4	27000	1.2	500	495-2744-ND	2.13	1.61	1.25	B82722A2501N1
	1200	0.056	3000	495-2748-ND	1.94	1.46	1.14	B82722J2302N1
	2200	0.13	2000	495-2746-ND	1.94	1.46	1.14	B82722J2202N1
5	10000	0.48	1000	495-2745-ND	2.33	1.75	1.36	B82722J2102N1
	3300	0.066	4000	495-2753-ND	3.10	2.33	1.81	B82724J2402N1
	33000	0.81	1000	495-2750-ND	3.10	2.33	1.81	B82724J2102N1
6	2700	0.022	8000	495-2759-ND	8.84	6.63	5.16	B82725A2802N1
	3900	0.041	6000	495-2758-ND	8.84	6.63	5.16	B82725A2602N1
	6800	0.087	4000	495-2757-ND	8.84	6.63	5.16	B82725A2402N1
6	18000	0.35	2000	495-2756-ND	8.84	6.63	5.16	B82725A2202N1

D Core Chokes

Construction: • Current-compensated double choke with closed, rectangular ferrite core • Closed polycarbonate coil former with 4 sections • Without encapsulation • 2-section winding
Features: • Coil former is flame-retardant per UL94V-0 • High resonance frequency due to 2-section winding • Low leakage due to closed core shape • High pulse strength • Approximately 1% stray inductance for symmetrical interference suppression
Specifications: • Rated voltage: 250VAC/DC • Test voltage: 1500VAC for 2 seconds (line/line) • Inductance tolerance: -30/+50%

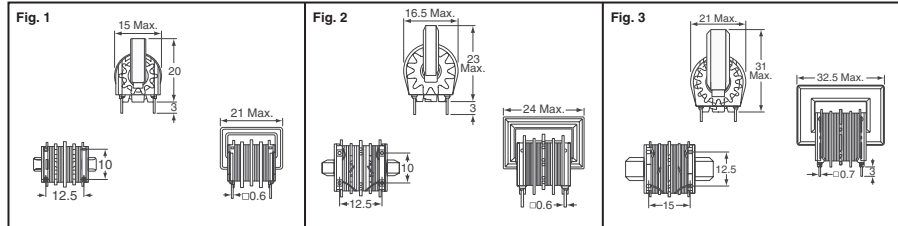


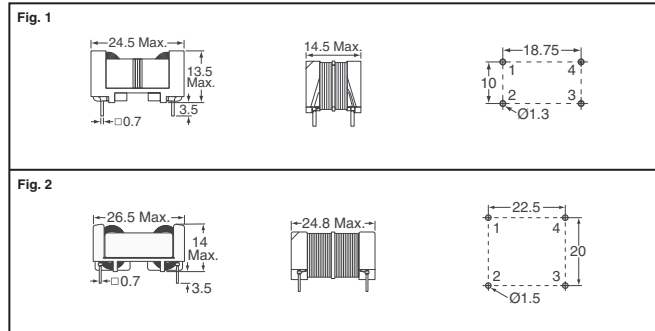
Fig.	Inductance (µH)	DC Res. Typical (Ω)	Current Rating (mA)	Digi-Key Part No.	Price Each			Epcos Part No.
					1	10	100	
1	3300	0.14	1800	495-2762-ND	2.00	1.50	1.17	B82731M2182A30
	6800	0.28	1300	495-2761-ND	2.00	1.50	1.17	B82731M2132A30
	10000	0.4	1100	495-2760-ND	2.00	1.50	1.17	B82731M2112A30
	15000	0.6	900	495-2768-ND	2.00	1.50	1.17	B82731M2901A30
	27000	1.0	700	495-2767-ND	2.00	1.50	1.17	B82731M2701A30
	39000	1.5	600	495-2766-ND	2.00	1.50	1.17	B82731M2601A30
2	47000	2.0	500	495-2765-ND	2.00	1.50	1.17	B82731M2501A30
	68000	3.0	400	495-2764-ND	2.00	1.50	1.17	B82731M2401A33
	100000	4.5	350	495-2763-ND	2.00	1.50	1.17	B82731M2351A30
	3300	0.11	2200	495-2779-ND	2.11	1.59	1.24	B82732R2222B30
	6800	0.19	1700	495-2778-ND	2.11	1.59	1.24	B82732R2172B30

Fig.	Inductance (µH)	DC Res. Typical (Ω)	Current Rating (mA)	Digi-Key Part No.	Price Each			Epcos Part No.
					1	10	100	
2	10000	0.3	1400	495-2777-ND	2.11	1.59	1.24	B82732R2142B30
	15000	0.44	1100	495-2776-ND	2.11	1.59	1.24	B82732R2112B30
	27000	0.75	900	495-2782-ND	2.11	1.59	1.24	B82732R2901B30
	47000	1.4	600	495-2780-ND	2.11	1.59	1.24	B82732R2601B30
	3300	0.046	4600	495-2796-ND	2.59	1.95	1.52	B82734R2462B30
3	6800	0.085	3200	495-2795-ND	2.59	1.95	1.52	B82734R2322B30
	10000	0.13	2600	495-2794-ND	2.59	1.95	1.52	B82734R2262B30
	15000	0.185	2300	495-2793-ND	2.59	1.95	1.52	B82734R2232B30
	27000	0.32	1700	495-2792-ND	2.59	1.95	1.52	B82734R2172B30
	39000	0.46	1400	495-2791-ND	2.59	1.95	1.52	B82734R2142B30
	47000	0.56	1300	495-2790-ND	2.59	1.95	1.52	B82734R2132B30

FC Core Chokes

Construction: • Current-compensated double choke • Closed magnetic circuit with frame construction • 4-section winding with direct winding of the core
Features: • High inductance with low resistance • Excellent differential-mode suppression • Low height allows usage in lamp ballasts • High pulse-handling capability
Specifications: • Rated voltage: 250VAC • Test voltage: 1500VAC for 2 seconds (line/line) • Inductance tolerance: ±30%

Fig.	Inductance (µH)	DC Res. Typical (Ω)	Current Rating (mA)	Digi-Key Part No.	Price Each			Epcos Part No.
					1	10	100	
1	10000	0.29	1600	495-2770-ND	1.85	1.39	1.08	B82732F2162B001
	47000	1.26	700	495-2773-ND	1.85	1.39	1.08	B82732F2701B001
2	10000	0.188	2300	495-2787-ND	1.95	1.46	1.14	B82733F2232B001
	27000	0.44	1400	495-2785-ND	1.95	1.46	1.14	B82733F2142B001
	39000	0.696	1200	495-2784-ND	1.95	1.46	1.14	B82733F2122B001
	100000	1.81	700	495-2788-ND	1.95	1.46	1.14	B82733F2701B001



Free shipping on orders over £50! All prices are in British pound sterling and include duties.
 1528 (UK2011-EN) www.digikey.co.uk — FREEPHONE: 0-800-587-0991 • 0-800-904-7786 — FREEFAX: 0-800-587-0992 • 0-800-904-7783