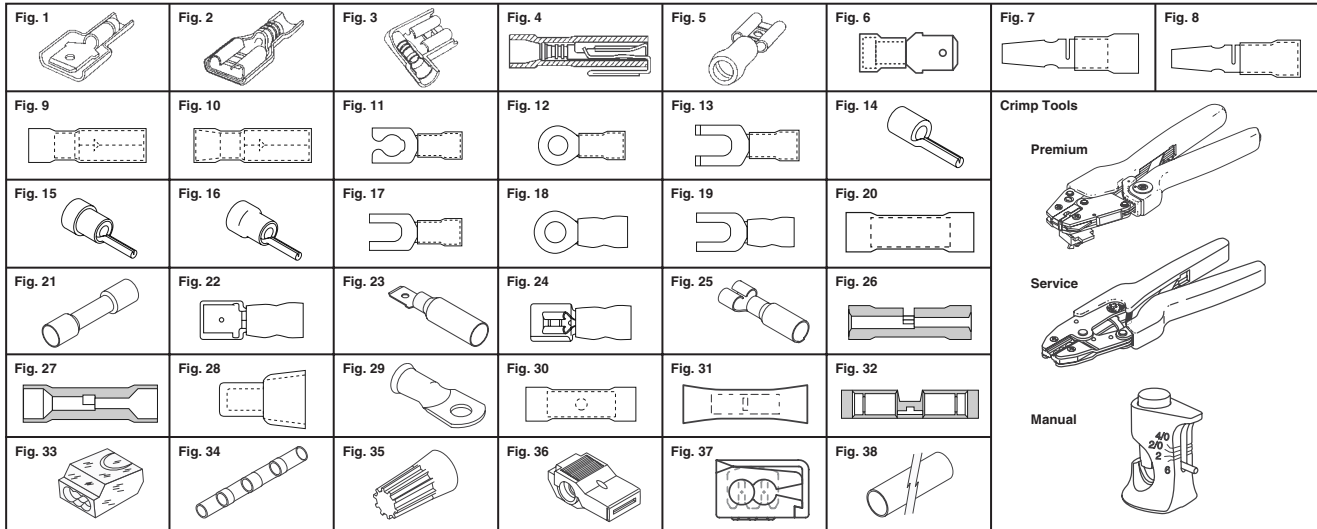




Insulation Types:	
Insulkrimp®: PVC Insulated	Krimpette®: Non-insulated
Avikrimp®: Nylon Insulated	VersaKrimp™: Non-insulated
Nylakrimp®: Nylon Insulated	

A



Fully-Insulated Quick Disconnects

Fig.	AWG	Crimp Tool #	Tab Size Inch (mm)	Max. Wire Insul. Dia. Inch (mm)	Digi-Key Part No.	10	Pricing 100	500	Molex Part No.
Avikrimp® - Male (Standard Flare)									
1	22-18 Red	23	.250x.032 (6.35x0.81)	.140 (3.56)	WM18225-ND	3.85	30.79	128.30	19001-0001
		23	.187x.020 (4.75x0.51)	.170 (4.32)	WM18226-ND	3.85	30.79	128.30	19001-0003
		23	.187x.020 (4.75x0.51)	.140 (3.56)	WM18744CT-ND†‡	5.05	40.44	—	19001-0005
		23	.187x.020 (4.75x0.51)	.140 (3.56)	WM18744TR-ND†‡	117.81/500	—	—	19001-0005
	16-14 Blue	23	.250x.032 (6.35x0.81)	.140 (3.56)	WM18227-ND	3.85	30.79	128.30	19001-0006
		23	.187x.020 (4.75x0.51)	.170 (4.32)	WM18228-ND	3.85	30.79	128.30	19001-0008
	12-10 Yellow	4/22	.250x.032 (6.35x0.81)	.230 (5.84)	WM18229-ND	4.58	36.63	152.63	19001-0010
	Avikrimp - Female (Standard Flare)								
2	22-18 Red	22/28	.250x.032 (6.35x0.81)	.120 (3.05)	WM18230-ND	3.64	24.41	98.69	19002-0001
		22/28	.250x.032 (6.35x0.81)	.120 (3.05)	WM18745CT-ND†‡	4.19	31.00	123.98	19002-0002
		22/28	.250x.032 (6.35x0.81)	.120 (3.05)	WM18745TR-ND†‡	239.78/1,000	—	—	19002-0002
		22/28	.187x.020 (4.75x0.51)	.120 (3.05)	WM18231-ND	3.64	24.41	98.69	19002-0005
		22/28	.187x.020 (4.75x0.51)	.120 (3.05)	WM18746CT-ND†‡	4.65	37.17	154.89	19002-0007
		22/28	.187x.020 (4.75x0.51)	.120 (3.05)	WM18746TR-ND†‡	216.91/1,000	—	—	19002-0007
	16-14 Blue	23/28	.187x.032 (4.75x0.81)	.120 (3.05)	WM18757-ND	3.22	25.74	107.24	19002-0009
		23/28	.110x.020 (2.79x0.51)	.120 (3.05)	WM18758-ND	3.26	26.09	108.72	19002-0013
		22	.250x.032 (6.35x0.81)	.140 (3.56)	WM18232-ND	3.50	27.98	116.60	19002-0024
	12-10 Yellow	22	.250x.032 (6.35x0.81)	.140 (3.56)	WM18747CT-ND†‡	4.19	31.00	123.98	19002-0025
		22	.250x.032 (6.35x0.81)	.140 (3.56)	WM18747TR-ND†‡	239.78/1,000	—	—	19002-0025
		22	.187x.020 (4.75x0.51)	.140 (3.56)	WM18233-ND	3.55	28.36	118.16	19002-0028
Avikrimp - Female (Expanded Flare/Oval Barrel)									
2	12-10 Yellow	22	.250x.032 (6.35x0.81)	.245 (6.22)	WM18748CT-ND†‡	5.27	42.12	—	19002-0045
		22	.250x.032 (6.35x0.81)	.245 (6.22)	WM18748TR-ND†‡	123.01/500	—	—	19002-0045
Insulkrimp® - Male (Standard Flare)									
1	22-18 Red	23/29	.250x.032 (6.35x0.81)	.145 (3.68)	WM18761-ND	2.03	16.22	67.57	19004-0001
		23/29	.250x.032 (6.35x0.81)	.145 (3.68)	WM18761CT-ND†‡	—	35.45	—	19004-0004
		23/29	.250x.032 (6.35x0.81)	.145 (3.68)	WM18761TR-ND†‡	77.62/500	—	—	19004-0004
	16-14 Blue	23/29	.250x.032 (6.35x0.81)	.170 (4.32)	WM18762-ND	2.03	16.22	67.57	19004-0005
		12-10 Yellow	22/30	.250x.032 (6.35x0.81)	.275 (6.98)	WM18763-ND	2.44	19.50	81.25
	Insulkrimp - Female (Standard Flare)								
2	26-24 Yellow	36	.250x.032 (6.35x0.81)	.075 (1.91)	WM18235-ND	1.87	14.95	62.29	19003-0071
		36	.187x.020 (4.75x0.51)	.075 (1.91)	WM18236-ND	2.31	18.46	76.92	19003-0064
		15/23	.250x.032 (6.35x0.81)	.135 (3.43)	WM18237-ND	1.89	15.14	63.06	19003-0001
		15/23	.250x.032 (6.35x0.81)	.135 (3.43)	WM18237TR-ND†‡	207.90/2,500	—	—	19003-0105
		15/23	.250x.032 (6.35x0.81)	.135 (3.43)	WM18749CT-ND†‡	3.23	25.82	107.59	19003-0003
		15/23	.250x.032 (6.35x0.81)	.135 (3.43)	WM18749TR-ND†‡	150.38/1,000	—	—	19003-0003
	22-18 Red	15/23	.187x.020 (4.75x0.51)	.135 (3.43)	WM18238-ND	1.97	15.72	65.49	19003-0011
		15/23	.187x.020 (4.75x0.51)	.135 (3.43)	WM18750CT-ND†‡	3.28	26.30	109.58	19003-0013
		15/23	.187x.020 (4.75x0.51)	.135 (3.43)	WM18750TR-ND†‡	153.15/1,000	—	—	19003-0013
		15/23	.187x.032 (4.75x0.51)	.135 (3.43)	WM18759-ND	1.81	14.45	60.21	19003-0017
		15/23	.110x.020 (2.79x0.51)	.135 (3.43)	WM18760-ND	2.05	16.40	68.35	19003-0024

Fig.	AWG	Crimp Tool #	Tab Size Inch (mm)	Max. Wire Insul. Dia. Inch (mm)	Digi-Key Part No.	10	Pricing 100	500	Molex Part No.
2	22-18 Red	23/29	.250x.032 (6.35x0.81)	.165 (4.19)	WM18764-ND	1.97	15.72	65.49	19005-0001
		24/38	.187x.032 (4.75x0.51)	.135 (3.43)	WM5928-ND	2.67	21.41	89.22	19003-0129
	16-14 Blue	14/23	.250x.032 (6.35x0.81)	.160 (4.06)	WM18239-ND	2.05	16.42	68.43	19003-0040
		14/23	.250x.032 (6.35x0.81)	.160 (4.06)	WM18751CT-ND†‡	3.37	26.94	112.27	19003-0042
		14/23	.250x.032 (6.35x0.81)	.160 (4.06)	WM18751TR-ND†‡	157.31/1,000	—	—	19003-0042
		14/23	.250x.032 (6.35x0.81)	.160 (4.06)	WM5929-ND	2.25	18.00	75.02	19003-0044
		14/23	.187x.020 (4.75x0.51)	.160 (4.06)	WM18240-ND	2.21	17.69	73.72	19003-0050
		23/29	.250x.032 (6.35x0.81)	.165 (4.19)	WM18765-ND	1.86	14.89	62.02	19005-0005
		14/25	.187x.020 (4.75x0.51)	.160 (4.06)	WM5927-ND	2.92	23.39	97.46	19003-0132
		14/25	.187x.032 (4.75x0.51)	.160 (4.06)	WM5930-ND	2.92	23.39	97.46	19003-0135
Insulkrimp - Female (Expanded Flare)									
2	12-10 Yellow	25/38	.250x.032 (6.35x0.81)	.275 (6.98)	WM18241-ND	2.93	23.45	97.71	19005-0010

† Cut Tape ‡ Tape and Reel †† TUV Rheinland Approved

Quick Disconnect Flags

Fig.	AWG	Crimp Tool #	Tab Size Inch (mm)	Max. Wire Insul. Dia. Inch (mm)	Digi-Key Part No.	10	Pricing 100	500	Molex Part No.
Avikrimp® - Female, Fully Pre-Insulated									
3	22-18 Red	9/25	.250x.032 (6.35x0.81)	.150 (3.81)	WM18242-ND	3.93	31.43	130.98	19006-0001
		9/25	.187x.020 (4.75x0.51)	.150 (3.81)	WM18245-ND	3.90	31.23	130.11	19006-0005
	16-14 Blue	9/25	.250x.032 (6.35x0.81)	.150 (3.81)	WM18752CT-ND†‡	5.36	42.87	—	19006-0003
		9/25	.250x.032 (6.35x0.81)	.150 (3.81)	WM18752TR-ND†‡	62.54/250	—	—	19006-0003
12-10 Yellow	10/25	.250x.032 (6.35x0.81)	.170 (4.32)	WM18243-ND	3.98	31.81	132.54	19006-0011	
	9/25	.187x.020 (4.75x0.81)	.170 (4.32)	WM18246-ND	4.05	32.41	135.05	19006-0015	
	10/25	.250x.032 (6.35x0.81)	.245 (6.22)	WM18244-ND	5.99	47.94	199.76	19006-0019	
3	22-18 Red	11/25	.250x.032 (6.35x0.81)	.176 (4.47)	WM18247-ND	2.77	22.10	92.09	19007-0001
		11/25	.250x.032 (6.35x0.81)	.176 (4.47)	WM18753CT-ND†‡	4.00	31.98	—	19007-0004
	16-14 Blue	11/25	.250x.032 (6.35x0.81)	.176 (4.47)	WM18753TR-ND†‡	46.60/250	—	—	19007-0004
		11/25	.187x.020 (4.75x0.81)	.176 (4.47)	WM18250-ND	2.74	21.91	91.30	19007-0009
12-10 Yellow	11/25	.250x.032 (6.35x0.81)	.200 (5.08)	WM18248-ND	2.77	22.16	92.34	19007-0021	
		.250x.032 (6.35x0.81)	.200 (5.08)	WM18754CT-ND†‡	3.96	31.85	—	19007-0024	
		.250x.032 (6.35x0.81)	.200 (5.08)	WM18754TR-ND†‡	46.43/250	—	—	19007-0024	
	11/25	.187x.020 (4.75x0.81)	.200 (5.08)	WM18251-ND	2.85	22.77	94.86	19007-0029	
		.250x.032 (6.35x0.81)	.200 (5.08)	WM5931-ND	2.97	23.80	99.19	19007-0073	
		.250x.032 (6.35x0.81)	.260 (6.60)	WM18249-ND	3.80	30.44	126.82	19007-0040	

† Cut Tape ‡ Tape and Reel †† TUV Rheinland Approved

Piggyback QDs Fully-Insulated Quick Disconnects

Fig.	AWG	Crimp Tool #	Tab Size Inch (mm)	Max. Wire Insul. Dia. Inch (mm)	Digi-Key Part No.	10	Pricing 100	500	Molex Part No.
4	12-10 Yellow	37	.250 (6.35)	.277 (7.04)	WM18717-ND	4.20	33.62	140.08	19013-0033
	22-18 Red	5	.250 (6.35)	.136 (3.5)	WM18739-ND	4.09	32.70	136.26	19013-0025

(Continued)

Free shipping on orders over £50! All prices are in British pound sterling and include duties.

360 (UK2011-EN) www.digikey.co.uk — FREEPHONE: 0-800-587-0991 • 0-800-904-7786 — FREEFAX: 0-800-587-0992 • 0-800-904-7783