

molex 0.5mm FFC/FPC Connectors (Cont.)



Fig. No.	Dimensions (mm)			Digi-Key Part No.	Cut Tape Price Each			Tape and Reel†		Molex Part No.	
	A	B	C		1	10	100	Qty.	Pricing		
Top Contact Style											
2	6	9.10	5.7	4.3	WM7708CT-ND	.44	.42	.38	1,000	237.82	52745-0696
	10	11.10	5.7	4.3	WM7709CT-ND	.63	.60	.55	1,000	343.42	52745-1096
	20	16.10	5.7	4.3	WM7710CT-ND	.93	.88	.80	1,000	505.96	52745-2096
	24	18.60	5.9	4.5	WM7711CT-ND	1.33	1.26	1.15	1,000	722.71	52435-2472
	30	21.60	5.9	4.5	WM7712CT-ND	3.02	2.87	2.63	1,000	814.37	52435-3072
	40	25.50	6.55	5.0	WM7713CT-ND	1.65	1.56	1.42	1,500	895.92/M	54104-4096
50	30.50	6.55	5.0	WM7714CT-ND	1.80	1.70	1.55	1,500	977.46/M	54104-5096	
Vertical Contact Style											
3	6	8.70			WM7715CT-ND	.66	.63	.57	1,000	359.08	52559-0672
	10	10.70			WM7716CT-ND	1.22	1.16	1.06	1,000	444.05	52559-1072
	12	11.70	5.30	3.90	WM7952CT-ND	.76	.72	.66	1,000	414.44	52559-1272
	20	15.70			WM7717CT-ND	1.37	1.29	1.18	1,000	741.21	52559-2072
	24	17.70			WM7718CT-ND	1.64	1.55	1.41	1,000	889.23	52259-2472
	30	20.70			WM7719CT-ND	1.99	1.88	1.71	1,000	1078.66	52559-3072
4	36	23.70	5.30	3.90	WM7720CT-ND	2.19	2.07	1.88	1,000	1186.41	52559-3672
	40	25.70			WM7721CT-ND	2.23	2.11	1.92	1,000	1212.59	52559-4072

† For Tape and Reel Part Number, change CT-ND to TR-ND.

Fig. No.	Dimensions (mm)			Digi-Key Part No.	Price Each			Molex Part No.	
	A	B	C		1	10	100		
Vertical, SMT, ZIF									
4	10	7.8			WM1649-ND	1.06	1.00	.91	51374-1073-P
	13	9.3			WM1650-ND	1.36	1.29	1.17	51374-1373-P
	15	10.3			WM1651-ND	1.40	1.33	1.21	51374-1573-P
	20	12.8			WM1652-ND	1.26	1.19	1.09	51374-2073-P
	26	15.8			WM1653-ND	1.42	1.35	1.22	51374-2673-P
	30	17.8			WM1654-ND	1.63	1.54	1.40	51374-3073-P
5	33	19.3			WM1655-ND	1.56	1.48	1.35	51374-3373-P
	40	22.8			WM1656-ND	2.06	1.95	1.77	51374-4073-P
	45	25.3			WM1657-ND	1.82	1.72	1.56	51374-4573-P
	50	27.8			WM1658-ND	2.33	2.20	2.00	51374-5073-P

Fig. No.	Dimensions (mm)			Digi-Key Part No.	Price Each			Molex Part No.	
	A	B	C		1	10	100		
Right Angle, SMT, ZIF — Bottom Contact Style									
5	8	8.6			WM1523-ND	.81	.77	.70	52892-0895-C
	10	9.6			WM1524-ND	.68	.65	.59	52892-1095-C
	12	10.6			WM1525-ND	.79	.75	.68	52892-1295-C
	14	11.6			WM1526-ND	.86	.81	.74	52892-1495-C
	16	12.6			WM1527-ND	.91	.86	.78	52892-1695-C
	18	13.6			WM1528-ND	.97	.92	.84	52892-1895-C
6	20	14.6			WM1529-ND	1.00	.95	.86	52892-2095-C
	24	16.6			WM1530-ND	1.09	1.03	.94	52892-2495-C
	26	17.6			WM1531-ND	1.16	1.10	1.00	52892-2695-C
	28	18.6			WM1532-ND	1.23	1.17	1.06	52892-2895-C
	6	8.2			WM1544-ND	.77	.73	.67	54548-0670-C
	8	9.2			WM1545-ND	.91	.86	.78	54548-0870-C
7	10	10.2	3.4	4.55	WM1546-ND	1.08	1.03	.93	54548-1070-C
	12	11.2			WM1547-ND	1.21	1.14	1.04	54548-1270-C
	16	13.2			WM1548-ND	1.47	1.39	1.26	54548-1670-C
	18	14.2			WM1549-ND	1.56	1.47	1.34	54548-1870-C
	20	15.2	3.4	4.55	WM1550-ND	1.68	1.59	1.44	54548-2070-C
	24	17.2			WM1551-ND	1.98	1.87	1.70	54548-2470-C
8	26	18.2			WM1552-ND	1.65	1.56	1.42	54548-2670-C
	6	5.3			WM1553-ND	1.16	1.10	1.00	51441-0693-C
	8	6.3			WM1554-ND	1.36	1.29	1.17	51441-0893-C
	10	7.3			WM1555-ND	1.43	1.35	1.23	51441-1093-C
	12	8.3			WM1556-ND	1.54	1.46	1.33	51441-1293-C
	16	10.3			WM1557-ND	1.81	1.71	1.55	51441-1693-C
9	18	11.3			WM1558-ND	1.83	1.73	1.57	51441-1893-C
	20	12.3			WM1559-ND	1.76	1.66	1.51	51441-2093-C
	22	13.3			WM1560-ND	1.76	1.67	1.52	51441-2293-C
	24	14.3			WM1561-ND	1.93	1.83	1.66	51441-2493-C
	Right Angle, SMT, ZIF — Top Contact Style								
	10	6	8.2			WM1534-ND	.77	.73	.67
8		9.2			WM1535-ND	.91	.86	.78	54550-0894-C
10		10.2	3.4	4.55	WM1536-ND	1.08	1.03	.93	54550-1094-C
12		11.2			WM1537-ND	1.19	1.12	1.02	54550-1294-C
14		12.2			WM1538-ND	1.37	1.30	1.18	54550-1494-C
16		13.2			WM1539-ND	1.47	1.39	1.26	54550-1694-C
11	18	14.2			WM1540-ND	1.56	1.47	1.34	54550-1894-C
	20	15.2	3.4	4.55	WM1541-ND	1.68	1.59	1.44	54550-2094-C
	24	17.2			WM1542-ND	1.98	1.87	1.70	54550-2494-C
	26	18.2			WM1543-ND	2.14	2.03	1.84	54550-2694-C

1mm FFC/FPC Connectors



Features:
Right Angle: For 0.30mm thick FFC/FPC. Metal solder tabs provide PCB hold-down and strain relief for SMT tails.
Material: 4/6 nylon, UL94V-0 • **Actuator:** PPS, UL94V-0 • **Contact:** Phosphor Bronze • **Plating:** Tin Solder • **Tab:** Phosphor Bronze, Tin Plating • **Temperature:** -20°C ~ 85°C • **Electrical:** Voltage: 125V • **Current:** 1.0A • **Contact Resistance:** 20mΩ maximum • **Dielectric Withstanding Voltage:** 500V AC/1 minute

Vertical: For use with 0.30mm thick FFC/FPC. Tuning fork contacts assure stable, low contact resistance. Optional cable retention bars provide cable strain relief and assure full retention of cable. Optional polarizing peg assures proper orientation to PCB and kinked outer solder tails offer PCB retention. SMT compatible. **Material:** Housing 4/6 nylon, UL94V-0 • **Actuator:** LCP, UL94V-0 • **Contact:** Phosphor Bronze Alloy • **Plating:** Tin/Lead, 90/10 • **Temperature:** -20°C ~ 80°C • **Electrical:** Voltage: 125V • **Current:** 1.0A • **Contact Resistance:** 20mΩ maximum • **Dielectric Withstanding Voltage:** 500VAC per minute • **Insulation Resistance:** 100MΩ minimum

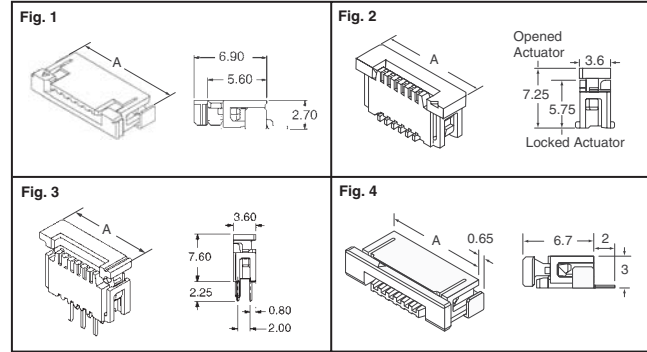


Fig. No.	No. of Pos.	Dimension A Inch (mm)	Digi-Key Part No.	Cut Tape Price Each			Digi-Key Part No.	T&R Pricing 1,000	Molex Part No.
				1	10	100			
Right Angle, SMT, ZIF — Top Contact Style — RoHS Compliant									
1	4	405 (10.30)	WM7675CT-ND	.44	.42	.38	WM7675TR-ND	293.75	52207-0485
	6	484 (12.30)	WM7676CT-ND	.59	.56	.52	WM7676TR-ND	248.21	52207-0685
	8	562 (14.30)	WM7677CT-ND	.63	.59	.55	WM7677TR-ND	324.79	52207-0885
	10	641 (16.30)	WM7678CT-ND	.73	.70	.63	WM7678TR-ND	398.22	52207-1085
	12	720 (18.30)	WM7679CT-ND	1.06	.77	.73	WM7679TR-ND	466.67	52207-1285
	14	799 (20.30)	WM7680CT-ND	.98	.93	.84	WM7680TR-ND	530.44	52207-1485
	16	877 (22.30)	WM7681CT-ND	1.09	1.03	.94	WM7681TR-ND	589.07	52207-1685
	18	956 (24.30)	WM7682CT-ND	1.19	1.13	1.03	WM7682TR-ND	646.29	52207-1885
	20	1,035 (26.30)	WM7683CT-ND	1.29	1.22	1.11	WM7683TR-ND	698.38	52207-2085
	22	1,114 (28.30)	WM7684CT-ND	1.20	1.13	1.07	WM7684TR-ND	747.49	52207-2285
	24	1,192 (30.30)	WM7685CT-ND	1.46	1.38	1.25	WM7685TR-ND	789.89	52207-2485
	26	1,271 (32.30)	WM7686CT-ND	1.53	1.45	1.32	WM7686TR-ND	830.59	52207-2685
28	1,350 (34.30)	WM7687CT-ND	1.61	1.52	1.38	WM7687TR-ND	873.01	52207-2885	
30	1,430 (36.30)	WM7688CT-ND	1.65	1.56	1.47	WM7688TR-ND	915.42	52207-3085	
Vertical, SMT, ZIF — No Pegs									
2	6	496 (12.60)	WM7633CT-ND	.88	.83	.76	WM7633TR-ND	475.65	52610-0671
	8	575 (14.60)	WM7634CT-ND	1.06	1.00	.95	WM7634TR-ND	568.86	52610-0871
	10	654 (16.60)	WM7635CT-ND	1.21	1.14	1.04	WM7635TR-ND	654.26	52610-1071
	12	732 (18.60)	WM7636CT-ND	1.37	1.29	1.21	WM7636TR-ND	749.04	52610-1271
	14	811 (20.60)	WM7637CT-ND	1.42	1.34	1.25	WM7637TR-ND	833.01	52610-1471
	16	890 (22.60)	WM7638CT-ND	1.64	1.55	1.39	WM7638TR-ND	904.46	52610-1671
	18	969 (24.60)	WM7639CT-ND	1.78	1.68	1.59	WM7639TR-ND	966.66	52610-1871
	20	1,047 (26.60)	WM7640CT-ND	1.90	1.79	1.66	WM7640TR-ND	1021.02	52610-2071
	22	1,126 (28.60)	WM7641CT-ND	2.02	1.91	1.74	WM7641TR-ND	1098.30	52610-2271
	24	1,205 (30.60)	WM7642CT-ND	2.16	2.04	1.85	WM7642TR-ND	1170.32	52610-2471
	26	1,283 (32.60)	WM7643CT-ND	1.54	1.46	1.33	WM7643TR-ND	837.15	52610-2671
	28	1,362 (34.60)	WM7644CT-ND	2.35	2.22	2.02	WM7644TR-ND	1275.92	52610-2871
30	1,441 (36.60)	WM7645CT-ND	2.40	2.27	2.07	WM7645TR-ND	1305.53	52610-3071	
Right Angle, SMT, ZIF — RoHS Compliant									
3	4	354 (9.00)	WM7937CT-ND	.68	.65	.59	WM7937TR-ND	370.03	52271-0469
	7	472 (12.00)	WM7938CT-ND	.30	.29	.26	WM7938TR-ND	162.25	52271-0769
	8	512 (13.00)	WM7939CT-ND	.40	.38	.35	WM7939TR-ND	217.60	52271-0869
	10	591 (15.00)	WM7940CT-ND	.51	.49	.44	WM7940TR-ND	277.52	52271-1069
	12	669 (17.00)	WM7941CT-ND	.43	.41	.38	WM7941TR-ND	234.82	52271-1269
	14	748 (19.00)	WM7942CT-ND	.45	.43	.39	WM7942TR-ND	246.21	52271-1469
	15	787							