

molex

0.5mm Pitch Standard Length Jumper

Unshielded Flat Flex Cable

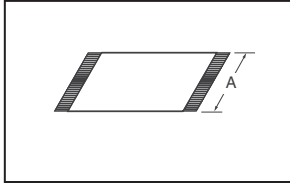
Specifications:

Electrical:

• Voltage: 30V • Current: 0.5A • Physical: Strip Length: 4.0mm (.157") • Reinforcement Length: 6.00mm (.236") • Conductor Width: 0.30mm (.012") • Conductor Thickness: 0.10 mm (.004") • End Thickness: 0.30 ±0.05mm (.012 ±.002") • Temperature Range: -40°C - 80°C

Reference Information:

• UL Style No. 2896 • Mates with any 0.50mm (.020") Pitch Molex FFC/FPC Connector



| No. of Positions | Dim. A (mm) | Digi-Key Part No. | 1 | 10 | 100 | 250 | Molex Part No. |
|---------------------------------------|-------------|-------------------|------|------|------|------|----------------|
| 1.18" (30mm) — RoHS Compliant | | | | | | | |
| 6 | 3.5 | WM14311-ND | 1.49 | 1.41 | 1.28 | 1.16 | 21020-0051 |
| 10 | 5.5 | WM14313-ND | 2.33 | 2.20 | 2.00 | 1.80 | 21020-0095 |
| 20 | 10.5 | WM14317-ND | 2.57 | 2.42 | 2.20 | 1.98 | 21020-0205 |
| 24 | 12.5 | WM14318-ND | 2.71 | 2.56 | 2.33 | 2.09 | 21020-0249 |
| 30 | 15.5 | WM14319-ND | 3.00 | 2.83 | 2.57 | 2.32 | 21020-0315 |
| 36 | 18.5 | WM14325-ND | 3.01 | 2.85 | 2.59 | 2.33 | 21020-0381 |
| 40 | 20.5 | WM14321-ND | 3.03 | 2.86 | 2.60 | 2.34 | 21020-0425 |
| 50 | 25.5 | WM14323-ND | 2.79 | 2.64 | 2.40 | 2.16 | 21020-3050 |
| 2.00" (51mm) — RoHS Compliant | | | | | | | |
| 6 | 3.5 | WM10200-ND | 1.87 | 1.77 | 1.61 | 1.45 | 21020-0053 |
| 10 | 5.5 | WM10201-ND | 2.00 | 1.89 | 1.72 | 1.54 | 21020-0097 |
| 20 | 10.5 | WM10202-ND | 2.28 | 2.15 | 1.96 | 1.76 | 21020-0207 |
| 24 | 12.5 | WM10203-ND | 2.45 | 2.32 | 2.11 | 1.90 | 21020-0251 |
| 30 | 15.5 | WM10204-ND | 2.80 | 2.64 | 2.40 | 2.16 | 21020-0317 |
| 36 | 18.5 | WM10205-ND | 2.82 | 2.67 | 2.42 | 2.18 | 21020-0383 |
| 40 | 20.5 | WM10206-ND | 2.84 | 2.68 | 2.44 | 2.19 | 21020-0427 |
| 50 | 25.5 | WM10207-ND | 3.58 | 3.38 | 3.07 | 2.77 | 21020-0543 |
| 3.00" (76mm) — RoHS Compliant | | | | | | | |
| 6 | 3.5 | WM10224-ND | 2.10 | 1.98 | 1.80 | 1.62 | 21020-0055 |
| 8 | 4.5 | WM10248-ND | 2.31 | 2.18 | 1.98 | 1.78 | 21020-0077 |
| 10 | 5.5 | WM10225-ND | 1.84 | 1.74 | 1.58 | 1.42 | 21020-0099 |
| 12 | 6.5 | WM10249-ND | 1.89 | 1.79 | 1.63 | 1.47 | 21020-0121 |
| 14 | 7.5 | WM10250-ND | 1.96 | 1.85 | 1.68 | 1.51 | 21020-0143 |
| 16 | 8.5 | WM10251-ND | 2.04 | 1.93 | 1.76 | 1.58 | 21020-0165 |
| 20 | 10.5 | WM10226-ND | 2.18 | 2.06 | 1.87 | 1.69 | 21020-0209 |
| 24 | 12.5 | WM10227-ND | 2.39 | 2.26 | 2.05 | 1.85 | 21020-0253 |
| 30 | 15.5 | WM10228-ND | 2.80 | 2.65 | 2.41 | 2.17 | 21020-0319 |
| 36 | 18.5 | WM10229-ND | 2.80 | 2.65 | 2.41 | 2.17 | 21020-0385 |
| 40 | 20.5 | WM10230-ND | 2.86 | 2.70 | 2.46 | 2.21 | 21020-0429 |
| 50 | 25.5 | WM10231-ND | 3.04 | 2.87 | 2.61 | 2.35 | 21020-7650 |
| 4.00" (102mm) | | | | | | | |
| 6 | 3.5 | WM10208-ND◆ | 2.38 | 2.25 | 2.04 | 1.84 | 21020-0057 |
| 10 | 5.5 | WM10209-ND◆ | 1.84 | 1.74 | 1.58 | 1.42 | 21020-0101 |
| 20 | 10.5 | WM10210-ND◆ | 2.25 | 2.13 | 1.94 | 1.74 | 21020-0211 |
| 24 | 12.5 | WM10211-ND◆ | 2.51 | 2.37 | 2.16 | 1.94 | 21020-0255 |
| 30 | 15.5 | WM10212-ND◆ | 3.01 | 2.84 | 2.59 | 2.33 | 21020-0321 |
| 36 | 18.8 | WM10213-ND | 3.05 | 2.88 | 2.62 | 2.36 | 21020-0367 |
| 40 | 20.5 | WM10214-ND◆ | 3.08 | 2.91 | 2.65 | 2.38 | 21020-0431 |
| 50 | 25.5 | WM10215-ND◆ | 3.77 | 3.56 | 3.24 | 2.91 | 21020-0547 |
| 5.00" (127mm) — RoHS Compliant | | | | | | | |
| 6 | 3.5 | WM10232-ND | 2.49 | 2.35 | 2.14 | 1.93 | 21020-0059 |
| 10 | 5.5 | WM10233-ND | 1.91 | 1.81 | 1.65 | 1.48 | 21020-0103 |
| 20 | 10.5 | WM10234-ND | 2.40 | 2.27 | 2.06 | 1.86 | 21020-0213 |
| 24 | 12.5 | WM10235-ND | 2.72 | 2.57 | 2.34 | 2.11 | 21020-0257 |
| 30 | 15.5 | WM10236-ND | 3.32 | 3.14 | 2.85 | 2.57 | 21020-0323 |
| 36 | 18.8 | WM10237-ND | 3.38 | 3.19 | 2.90 | 2.61 | 21020-0389 |
| 40 | 20.5 | WM10238-ND | 3.41 | 3.22 | 2.93 | 2.64 | 21020-0433 |
| 50 | 25.5 | WM10239-ND | 4.85 | 4.58 | 4.16 | 3.74 | 21020-2750 |
| 6.00" (152mm) | | | | | | | |
| 6 | 3.5 | WM10216-ND | 2.59 | 2.45 | 2.23 | 2.00 | 21020-0061 |
| 10 | 5.5 | WM10217-ND◆ | 1.56 | 1.47 | 1.34 | 1.30 | 21020-0105 |
| 20 | 10.5 | WM10218-ND◆ | 2.56 | 2.42 | 2.20 | 1.98 | 21020-0215 |
| 24 | 12.5 | WM10219-ND◆ | 2.94 | 2.78 | 2.52 | 2.27 | 21020-0259 |
| 30 | 15.5 | WM10220-ND◆ | 3.64 | 3.44 | 3.13 | 2.81 | 21020-0325 |
| 36 | 18.5 | WM10221-ND◆ | 3.70 | 3.50 | 3.18 | 2.86 | 21020-0391 |
| 40 | 20.5 | WM10222-ND◆ | 3.74 | 3.53 | 3.21 | 2.89 | 21020-0435 |
| 50 | 25.5 | WM10223-ND◆ | 4.58 | 4.32 | 3.93 | 3.54 | 21020-0548 |
| 8.00" (203mm) — RoHS Compliant | | | | | | | |
| 6 | 3.5 | WM10240-ND | 2.88 | 2.72 | 2.47 | 2.22 | 21020-0065 |
| 10 | 5.5 | WM10241-ND | 1.83 | 1.73 | 1.57 | 1.41 | 21020-0109 |
| 20 | 10.5 | WM10242-ND | 2.91 | 2.75 | 2.50 | 2.25 | 21020-0219 |
| 24 | 12.5 | WM10243-ND | 3.38 | 3.19 | 2.90 | 2.61 | 21020-0263 |
| 30 | 15.5 | WM10244-ND | 4.07 | 3.84 | 3.50 | 3.15 | 21020-0329 |
| 36 | 18.5 | WM10245-ND | 4.15 | 3.92 | 3.56 | 3.21 | 21020-0395 |
| 40 | 20.5 | WM10246-ND | 4.20 | 3.96 | 3.60 | 3.24 | 21020-0439 |
| 50 | 25.5 | WM10247-ND | 4.23 | 3.99 | 3.63 | 3.27 | 21020-0574 |

◆ RoHS Compliant

0.3mm FPC Connectors



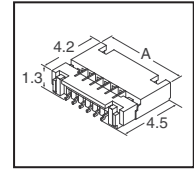
Specifications:

Electrical:

• Voltage: 50V • Current: 0.3A • Contact Resistance: 80mΩ maximum
• Withstanding Voltage: 250V AC/1 minute • Insulation Resistance: 50MΩ minimum

Physical:

• Housing Material: Liquid Crystal Polymer • Flammability: UL94V-0 • Color: Beige • Actuator: PA Polyamide (Nylon) 4/6 • Temperature Range: -20°C - 85°C
• Contact: Phosphor Bronze • Plating Contact: Tin/Bismuth • Contact Position: Bottom



| No. of Positions | Dim. A (mm) | Digi-Key Part No. | 1 | 10 | 100 | 250 | Molex Part No. |
|---|-------------|-------------------|------|------|------|------|----------------|
| Right Angle, SMT, ZIF — Bottom Contact Style | | | | | | | |
| 11 | 5.8 | WM1512-ND | 1.41 | 1.34 | 1.22 | 1.09 | 54809-1198-C |
| 15 | 7.0 | WM1513-ND | 1.92 | 1.81 | 1.65 | 1.48 | 54809-1598-C |
| 19 | 8.2 | WM1514-ND | 2.42 | 2.28 | 2.08 | 1.87 | 54809-1998-C |
| 21 | 8.8 | WM1515-ND | 2.65 | 2.51 | 2.28 | 2.05 | 54809-2198-C |
| 25 | 10.0 | WM1516-ND | 1.81 | 1.71 | 1.55 | 1.40 | 54809-2598-C |
| 27 | 10.6 | WM1517-ND | 3.39 | 3.20 | 2.91 | 2.62 | 54809-2798-C |
| 31 | 11.8 | WM1518-ND | 3.86 | 3.64 | 3.31 | 2.98 | 54809-3198-C |
| 33 | 12.4 | WM1519-ND | 4.06 | 3.84 | 3.49 | 3.14 | 54809-3398-C |
| 39 | 14.2 | WM1520-ND | 4.78 | 4.51 | 4.10 | 3.69 | 54809-3998-C |
| 45 | 16.0 | WM1521-ND | 5.48 | 5.17 | 4.70 | 4.23 | 54809-4598-C |
| 51 | 17.8 | WM1522-ND | 6.16 | 5.81 | 5.29 | 4.76 | 54809-5198-C |

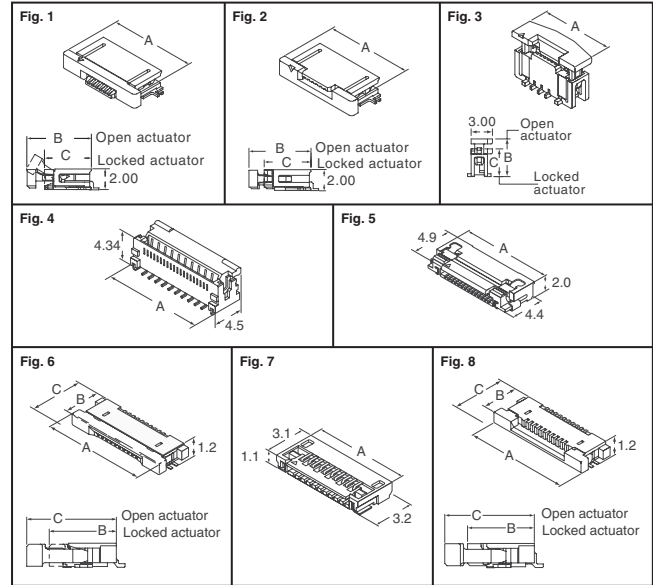
0.5mm FFC/FPC Connectors



Specifications:

Electrical: • Voltage: 50V • Current: 0.4A (Series 51374); 0.5A (Series 52746, 52437, 54132, 52745, 52435, 54104, 52559, 52892, 54548, 51441, 54550) • Contact Resistance: 20mΩ maximum (Series 52892, 52746, 52437, 54132, 52745, 52435, 54104, 52559); 40mΩ maximum (Series 54548, 51441, 54550, 51374)
• Withstanding Voltage: 250V AC/1 minute • Insulation Resistance: 50MΩ minimum

Physical: • Housing Material: PA Polyamide (Nylon) 4/6, (Series 52746, 52437, 54132, 52745, 52435, 54104, 52559, 52892); Liquid Crystal Polymer (Series 54548, 54550); Liquid Crystal Polymer Glass Filled (Series 51441, 51374) • Flammability: UL94V-0 • Actuator: Polyphenylene Sulfide, UL94V-0 • Contact: Phosphor Bronze (Series 52746, 52437, 54132, 52745, 52435, 54104, 52559, 52892, 54548, 51441, 54550); Copper Alloy (Series 51374) • Plating: Tin/ Bismuth (Series 52746, 52435, 52892, 54548, 51441, 51374); Tin (Series 52437, 54132, 52745, 54104, 52559, 52892, 54548, 51441, 54550); Copper Alloy, Tin over Nickel Plating (Series 51374) • Temperature Range: -20°C - 85°C (Series 52746, 54132, 52745, 54548, 51441, 54550, 52435); -25°C - 85°C (Series 52892, 51374); -40°C - 85°C (Series 52437, 54104, 52559)



| Fig. | No. of Pos. | Dimensions (mm) | | | Digi-Key Part No. | Cut Tape Price Each | | | Tape and Reel | | Molex Part No. |
|-----------------------------|-------------|-----------------|------|-----|-------------------|---------------------|------|------|---------------|-----------|----------------|
| | | A | B | C | | 1 | 10 | 100 | Qty. | Pricing | |
| Bottom Contact Style | | | | | | | | | | | |
| 1 | 6 | 9.10 | 5.9 | 4.3 | WM7700CT-ND | .65 | .61 | .56 | 1,000 | 350.97 | 52746-0670 |
| | 10 | 11.10 | 5.9 | 4.3 | WM7701CT-ND | .91 | .86 | .78 | 1,000 | 492.73 | 52746-1070 |
| | 20 | 16.10 | 5.9 | 4.3 | WM7702CT-ND | 1.40 | 1.33 | 1.21 | 1,000 | 762.14 | 52746-2070 |
| | 24 | 18.60 | 6.1 | 4.5 | WM7703CT-ND | 1.68 | 1.59 | 1.44 | 1,000 | 910.72 | 52437-2472 |
| | 30 | 21.60 | 6.1 | 4.5 | WM7704CT-ND | 1.95 | 1.84 | 1.68 | 1,000 | 1058.46 | 52437-3072 |
| | 36 | 23.50 | 6.55 | 5.0 | WM7705CT-ND | 1.29 | 1.22 | 1.11 | 1,500 | 698.96/M | 54132-3697 |
| | 40 | 25.50 | 6.55 | 5.0 | WM7706CT-ND | 1.62 | 1.53 | 1.39 | 1,500 | 877.98/M | 54132-4097 |
| | 50 | 30.50 | 6.55 | 5.0 | WM7707CT-ND | 1.86 | 1.75 | 1.60 | 1,500 | 1044.36/M | 54132-5097 |

† For Tape and Reel Part Number, change CT-ND to TR-ND.

(Continued)

Digi-Reel® Most SMT cutdown parts are available on a Digi-Reel®. For Digi-Reel part number, change 1-ND to 6-ND or CT-ND to DKR-ND. See Digi-Key® Services on page 2 for additional information.

Free shipping on orders over £50! All prices are in British pound sterling and include duties.

76 (UK091) uk.digikey.com — FREEPHONE: 0-800-587-0991 • 0-800-904-7786 — FREEFAX: 0-800-587-0992 • 0-800-904-7783