



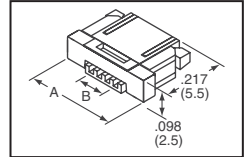
0.50 mm (0.020") FFC-FPC Connectors
SMT/ZIF Type (Cont.)



Fig.	No. of Positions	Contact Location	Dimension - Inch (mm)				Digi-Key Part No.	Cut Tape Price Each			Digi-Key Part No.	Tape and Reel		FCI Part No.
			A	B	C	D		1	25	100		Qty.	Pricing	
2	22	Upper	0.650 (16.50)	0.413 (10.50)	0.071 (1.80)	0.165 (4.20)	609-1874-1-ND	1.00	.56	.48	609-1874-2-ND	3,000	375.56/M	SFV22R-2STE1LF
	24	Upper	0.689 (17.50)	0.453 (11.50)	0.071 (1.80)	0.165 (4.20)	609-1876-1-ND	1.02	.56	.48	—	—	—	SFV24R-2STE1LF
	26	Upper	0.728 (18.50)	0.492 (12.50)	0.071 (1.80)	0.165 (4.20)	609-1878-1-ND	.97	.54	.45	609-1878-2-ND	3,000	343.58/M	SFV26R-2STE1LF
	28	Upper	0.768 (19.50)	0.531 (13.50)	0.071 (1.80)	0.165 (4.20)	609-1880-1-ND	1.02	.57	.48	609-1880-2-ND	6,000	364.68/M	SFV28R-2STE1LF
	30	Upper	0.807 (20.50)	0.571 (14.50)	0.071 (1.80)	0.165 (4.20)	609-1882-1-ND	1.47	.87	.75	—	—	—	SFV30R-2STE1LF
SFV Series — Side Entry With Cable-Lock														
2	20	Upper	0.610 (15.50)	0.374 (9.50)	0.071 (1.80)	0.165 (4.20)	609-1870-1-ND	.89	.50	.42	609-1870-2-ND	3,000	319.27/M	SFV20R-4STE1LF
Side Entry														
2	10	Lower	0.295 (7.50)	0.177 (4.50)	0.047 (1.20)	0.134 (3.40)	609-1234-1-ND	.76	.38	.32	609-1234-2-ND	4,500	232.78/M	10051922-1010ELF
	12	Lower	0.335 (8.50)	0.217 (5.50)	0.047 (1.20)	0.134 (3.40)	609-1236-1-ND	.62	.33	.28	609-1236-2-ND	4,500	198.64/M	10051922-1210ELF
	14	Lower	0.374 (9.50)	0.256 (6.50)	0.047 (1.20)	0.134 (3.40)	609-1237-1-ND	.64	.33	.28	609-1237-2-ND	4,500	201.74/M	10051922-1410ELF
	15	Lower	0.394 (10.00)	0.276 (7.00)	0.047 (1.20)	0.134 (3.40)	609-1238-1-ND	.69	.35	.29	609-1238-2-ND	4,500	217.26/M	10051922-1510ELF
	24	Lower	0.571 (14.50)	0.453 (11.50)	0.047 (1.20)	0.134 (3.40)	609-1241-1-ND	.84	.45	.38	609-1241-2-ND	4,500	276.46/M	10051922-2410ELF
	30	Lower	0.689 (17.50)	0.571 (14.50)	0.047 (1.20)	0.134 (3.40)	609-1244-1-ND	.94	.52	.44	609-1244-2-ND	4,500	330.34/M	10051922-3010ELF
57	Lower	1.220 (31.00)	1.102 (28.00)	0.047 (1.20)	0.134 (3.40)	609-1233-1-ND	2.03	1.10	.96	—	—	—	10042867-57MB10ELF	

A

0.80 mm (0.031") FFC-FPC Connectors
SMT/ZIF Type



The Gas-Tight, High Pressure (GTH) contact system ensures a low cost connection with reliability equal to gold plating. The Zero Insertion Force (ZIF) connection allows an increased number of mating cycles with minimal wear. The ZIF pre-holding process provides a stable and reliable mating operation. The slider ensures maximum cable retention with a minimum size. Fork shaped contacts mean stable and low contact resistance. The cable lock option provides cable strain relief as well as full retention of cable.

Specifications: • Housing Material: Glass Reinforced PPS, UL94V-0 • Contact Material: Phosphor Bronze, Matte pure Tin plated • Contact Resistance: 30MΩ maximum • Insulation Resistance: 500MΩ minimum • Durability (Mating Cycles): 20 Cycles • Temperature Range: -55°C - 85°C • Current Rating: 0.5A AC/DC • Voltage Rating: 100V AC/DC

No. of Positions	Dimensions - Inch (mm)		Digi-Key Part No.	Cut Tape Price Each			Digi-Key Part No.	Tape and Reel		FCI Part No.
	A	B		1	25	100		Qty.	Pricing	
6	0.402 (10.20)	0.157 (4.00)	609-1171-1-ND	.69	.35	.30	609-1171-2-ND	2,000	230.33/M	SFR6R-1STE1LF
8	0.465 (11.80)	0.220 (5.60)	609-1172-1-ND	.73	.39	.33	609-1172-2-ND	2,000	242.71/M	SFR8R-1STE1LF
10	0.528 (13.40)	0.283 (7.20)	609-1173-1-ND	.81	.43	.37	609-1173-2-ND	2,000	273.95/M	SFR10R-1STE1LF
12	0.591 (15.00)	0.346 (8.80)	609-1174-1-ND	.77	.43	.36	609-1174-2-ND	2,000	279.39/M	SFR12R-1STE1LF
24	0.969 (24.60)	0.724 (18.40)	609-1180-1-ND	.91	.52	.42	609-1180-2-ND	2,000	337.60/M	SFR24R-1STE1LF
28	1.094 (27.80)	0.850 (21.60)	609-1182-1-ND	1.07	.58	.50	609-1182-2-ND	2,000	399.82/M	SFR28R-1STE1LF
30	1.157 (29.40)	0.913 (23.20)	609-1183-1-ND	2.15	1.16	1.00	609-1183-2-ND	2,000	799.74/M	SFR30R-1STE1LF

1.00 mm (0.039") FFC-FPC Connectors



The Gas-Tight, High pressure (GTH) contact system ensures a low cost connection with reliability equal to gold plating. The Zero Insertion Force (ZIF) connection allows an increased number of mating cycles with minimal wear. The ZIF pre-holding process allows a stable and reliable mating operation. The Low Insertion Force (LIF) contacts positioning provides a reliable and easy mating operation. The slider ensures maximum cable retention with a minimum size. Fork shaped contacts mean stable and low contact resistance. Kinked solder tails provide added PCB retention.

Specifications: • Current Rating: 1A AC/DC • Voltage Rating: 100V AC/DC • Contact Resistance: 30mΩ maximum • Insulation Resistance: 500MΩ minimum • Durability (Mating Cycles): ZIF - 20 cycles, LIF - 30 cycles • Temperature Range: -55°C - 85°C

SLW Series: • Housing: Nylon, Glass Reinforced, UL94V-0, Black • Slider: Nylon, Glass Reinforced, UL94V-0, Black • Contact: Phosphor Bronze, Tin Alloy Plated
HLW Series: • Housing: PBT, Glass Reinforced, UL94V-0, Black • Contact: Phosphor Bronze, Tin Alloy Plated
HFV Series: • Housing: Polyamide 6T, Glass Reinforced, UL94V-0, Black • Contact: Phosphor Bronze, Tin Alloy Plated
SFW Series: • Housing: For Right Angle Version: PPS, Glass Reinforced, UL94V-0 For FPC/FCC: Housing Color: Brown (with cable-lock: Black) Slider Color: Black (with cable-lock: Brown) For Vertical Version: Heat-Resisting Resin, Glass Reinforced, UL94V-0 Housing Color: Brown Slider Color: Black • Contact Phosphor Bronze, Tin Alloy Plated

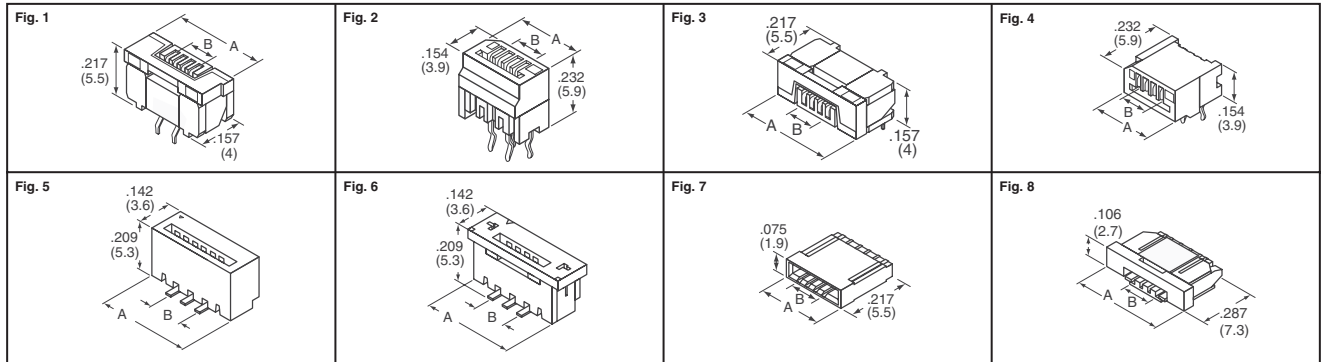


Fig.	No. of Positions	Dimension - Inch (mm)		Digi-Key Part No.	Cut Tape Pricing			Digi-Key Part No.	Tape and Reel		FCI Part No.
		A	B		1	25	100		Qty.	Pricing	
SLW Series — Top Entry PC Mount ZIF											
1	4	0.402 (10.20)	0.205 (5.20)	609-1929-ND†	.40	4.86	15.55	—	—	—	SLW4S-1C7LF
	5	0.441 (11.20)	0.244 (6.20)	609-1931-ND†	.60	6.19	19.79	—	—	—	SLW5S-1C7LF
	6	0.480 (12.20)	0.283 (7.20)	609-1933-ND†	.49	5.10	16.34	—	—	—	SLW6S-1C7LF
	8	0.559 (14.20)	0.362 (9.20)	609-1935-ND†	.42	5.13	16.39	—	—	—	SLW8S-1C7LF
	10	0.638 (16.20)	0.441 (11.20)	609-1937-ND†	.46	5.67	18.15	—	—	—	SLW10S-1C7LF
	12	0.717 (18.20)	0.520 (13.20)	609-1939-ND†	.86	11.86	39.89	—	—	—	SLW12S-1C7LF
	14	0.795 (20.20)	0.598 (15.20)	609-1941-ND†	.52	6.37	21.23	—	—	—	SLW14S-1C7LF
	15	0.835 (21.20)	0.638 (16.20)	609-1943-ND†	.98	13.16	45.12	—	—	—	SLW15S-1C7LF
	16	0.874 (22.20)	0.677 (17.20)	609-1945-ND†	.97	12.97	44.47	—	—	—	SLW16S-1C7LF
	18	0.953 (24.20)	0.756 (19.20)	609-1947-ND†	.73	7.54	25.56	—	—	—	SLW18S-1C7LF

† Bulk

(Continued)

Digi-Reel® Most SMT cutdown parts are available on a Digi-Reel®. For Digi-Reel part number, change 1-ND to 6-ND or CT-ND to DKR-ND. See Digi-Key® Services on page 2 for additional information.

Free shipping on orders over £50! All prices are in British pound sterling and include duties.

uk.digikey.com — FREEPHONE: 0-800-587-0991 • 0-800-904-7786 — FREEFAX: 0-800-587-0992 • 0-800-904-7783

(UK091) 73