



**Connector System for Flexible Circuitry - 0.100" (2.54 mm) Pitch**



Clincher is a two piece, pin and receptacle connector system with features to optimize reliability at the termination and disconnectable interface.

**Use 0.100" (2.54mm) Flat Flex Cable**

**Features:**

• "Clincher" Cable termination provides four gas-tight, contamination-free contact points to each conductor • High reliability receptacle design features FCI Mini PV™ dual-metal, mating contacts • Contacts are pre-loaded to connector housings enabling mass termination to unprepared cable; Fast production speed reduces costs.

**Material:**

Housings: Polypropylene UL 94 V-0 Blue

**Electrical Performance:**

• Contact Resistance (LLCR) Main Contacts: 10mΩ maximum; 20mΩ maximum after environmental exposure • Insulation Resistance: 5000MΩ minimum • Withstanding Voltage: 1000 VAC RMS • Current Rating: 2.0 amp continuous per contact

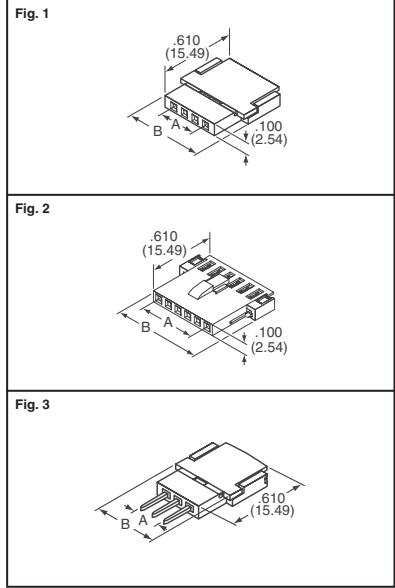


Fig.	No of Positions	Dimensions - Inch (mm)		Digi-Key Part No.	Price Each			FCI Part No.	
		A	B		1	25	100		
<b>Receptacles</b>									
1	2	0.100 (2.54)	0.390 (9.91)	609-2158-ND	1.41	.74	.64	65801-002LF	
	3	0.200 (5.08)	0.490 (12.45)	609-2159-ND	.83	.46	.39	65801-003LF	
	4	0.300 (7.62)	0.590 (14.99)	609-2160-ND	.85	.47	.40	65801-004LF	
	5	0.400 (10.16)	0.690 (17.53)	609-2161-ND	.97	.53	.45	65801-005LF	
	6	0.500 (12.70)	0.790 (20.07)	609-2162-ND	1.06	.58	.49	65801-006LF	
	7	0.600 (15.24)	0.890 (22.61)	609-2163-ND	1.21	.66	.58	65801-007LF	
	8	0.700 (17.78)	0.990 (25.15)	609-2164-ND	1.15	.62	.55	65801-008LF	
	9	0.800 (20.32)	1.090 (27.69)	609-2165-ND	1.23	.69	.61	65801-009LF	
	10	0.900 (22.86)	1.190 (30.23)	609-2166-ND	1.41	.81	.70	65801-010LF	
	11	1.000 (25.40)	1.290 (32.77)	609-2167-ND	1.44	.85	.74	65801-011LF	
	12	1.100 (27.94)	1.390 (35.31)	609-2168-ND	1.47	.87	.75	65801-012LF	
	13	1.200 (30.48)	1.490 (37.85)	609-2169-ND	1.79	1.08	.94	65801-013LF	
	14	1.300 (33.02)	1.590 (40.39)	609-2170-ND	1.62	.93	.83	65801-014LF	
	15	1.400 (35.56)	1.690 (42.93)	609-2171-ND	1.95	1.18	1.03	65801-015LF	
	16	1.500 (38.10)	1.790 (45.47)	609-2172-ND	1.95	1.17	1.02	65801-016LF	
	17	1.600 (40.64)	1.890 (48.01)	609-2173-ND	2.32	1.42	1.24	65801-017LF	
	18	1.700 (43.18)	1.990 (50.55)	609-2174-ND	2.29	1.42	1.25	65801-018LF	
	20	1.900 (48.26)	2.190 (55.63)	609-2175-ND	2.32	1.43	1.24	65801-020LF	
	<b>Receptacle With Latch</b>								
	2	6	0.500 (12.70)	0.790 (20.07)	609-2194-ND	1.29	.68	.59	10022753-006LF
8		0.700 (17.78)	0.990 (25.15)	609-2196-ND	1.35	.73	.63	10022753-008LF	
9		0.800 (20.32)	1.090 (27.69)	609-2197-ND	1.04	.58	.50	10022753-009LF	
12		1.100 (27.94)	1.390 (35.31)	609-2200-ND	1.54	.86	.75	10022753-012LF	
14		1.300 (33.02)	1.590 (40.39)	609-2202-ND	1.58	.93	.81	10022753-014LF	
15		1.400 (35.56)	1.690 (42.93)	609-2203-ND	1.64	.95	.84	10022753-015LF	
16	1.500 (38.10)	1.790 (45.47)	609-2204-ND	2.17	1.34	1.16	10022753-016LF		
<b>Pin Connectors</b>									
3	2	0.100 (2.54)	0.390 (9.91)	609-2176-ND	1.26	.71	.62	66226-002LF	
	3	0.200 (5.08)	0.490 (12.45)	609-2177-ND	.68	.33	.28	66226-003LF	
	4	0.300 (7.62)	0.590 (14.99)	609-2178-ND	1.12	.61	.53	66226-004LF	
	5	0.400 (10.16)	0.690 (17.53)	609-2179-ND	1.29	.74	.64	66226-005LF	
	6	0.500 (12.70)	0.790 (20.07)	609-2180-ND	1.50	.84	.73	66226-006LF	
	7	0.600 (15.24)	0.890 (22.61)	609-2181-ND	1.44	.85	.74	66226-007LF	
	8	0.700 (17.78)	0.990 (25.15)	609-2182-ND	1.41	.84	.72	66226-008LF	
	9	0.800 (20.32)	1.090 (27.69)	609-2183-ND	1.63	.94	.83	66226-009LF	
	10	0.900 (22.86)	1.190 (30.23)	609-2184-ND	1.79	1.08	.94	66226-010LF	
	11	1.000 (25.40)	1.290 (32.77)	609-2185-ND	1.86	1.11	.99	66226-011LF	
	12	1.100 (27.94)	1.390 (35.31)	609-2186-ND	1.95	1.20	1.07	66226-012LF	
	13	1.200 (30.48)	1.490 (37.85)	609-2187-ND	2.08	1.28	1.11	66226-013LF	
	14	1.300 (33.02)	1.590 (40.39)	609-2188-ND	2.25	1.38	1.20	66226-014LF	
	15	1.400 (35.56)	1.690 (42.93)	609-2189-ND	2.35	1.46	1.28	66226-015LF	
	16	1.500 (38.10)	1.790 (45.47)	609-2190-ND	2.45	1.51	1.33	66226-016LF	
	17	1.600 (40.64)	1.890 (48.01)	609-2191-ND	2.25	1.38	1.20	66226-017LF	
	20	1.800 (45.72)	2.090 (53.09)	609-2193-ND	2.98	1.85	1.68	66226-020LF	
	<b>Tool</b>								
	Crimp Tool for Clincher Connectors				609-2214-ND	1162.01	—	—	HT270



**.050" (1.27mm) Flat Flex Cable**



**Material:**

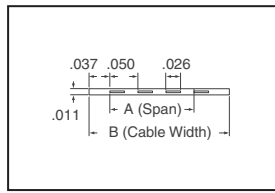
• Insulation: Flame retardant polyester film

**Performance Characteristics:**

• Current Rating: 1.5 amperes (30AWG equivalent) • Voltage Rating: 300V • Temperature Rating: -55°C - 105°C • Insulation Flammability: Polyester, self-extinguishing per UL Flame Test VW-1 • Dielectric Strength: 2500V/MIL

**Typical Electrical Values:**

• Resistance: 110Ω/1000 feet (304.8 meters) maximum • Capacitance: 13.8 pF/ft (maximum) • Impedance: 113Ω



No. of Contacts	Dimensions Inch (mm)		Digi-Key Part No.	Pricing 500 Ft.
	A	B		
4	.150 (3.81)	.250 (6.35)	AE04-500-ND	21780
5	.200 (5.08)	.300 (7.62)	AE05-500-ND	223.25
6	.250 (6.35)	.350 (8.89)	AE06-500-ND	228.69
7	.300 (7.62)	.400 (10.16)	AE07-500-ND	234.14
8	.350 (8.89)	.450 (11.43)	AE08-500-ND	239.58
10	.450 (11.43)	.550 (13.97)	AE10-500-ND	250.47
12	.550 (13.97)	.650 (16.51)	AE12-500-ND	266.81
17	.800 (20.32)	.900 (22.86)	AE17-500-ND	321.26
20	.950 (24.13)	1.050 (26.67)	AE20-500-ND	370.26
22	1.050 (26.67)	1.150 (29.21)	AE22-500-ND	402.93
25	1.200 (30.48)	1.300 (33.02)	AE25-500-ND	468.27

**.100" (2.54mm) Flat Flex Cable**



**Material:**

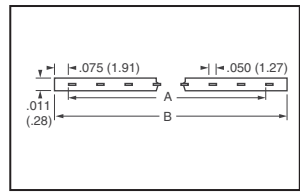
• Conductors: Unplated copper per QQ-C502 • Insulation: Flame retardant polyester film

**Performance Characteristics:**

• Current Rating: 2 amperes (28AWG equivalent) • Voltage Rating: 300V • Temperature Rating: -55°C - 105°C • Insulation Resistance: 5000MΩ (minimum) • Insulation Flammability: Polyester, self-extinguishing per UL Flame Test VW-1 • UL Style 2643

**Typical Electrical Values:**

• Resistance: 55Ω/1000 feet (304.8 meters) maximum • Capacitance: 10.8 pF/ft (maximum) • Impedance: 128Ω



No. of Contacts	Dimensions Inch (mm)		Digi-Key Part No.	Pricing 500 Ft.
	A	B		
2	.100 (2.54)	.300 (7.62)	AF02-500-ND	179.69
3	.200 (5.08)	.400 (10.16)	AF03-500-ND	196.02
4	.300 (7.62)	.500 (12.70)	AF04-500-ND	206.91
5	.400 (10.16)	.600 (15.24)	AF05-500-ND	212.36
6	.500 (12.70)	.700 (17.78)	AF06-500-ND	228.69
8	.700 (17.78)	.900 (22.86)	AF08-500-ND	255.92
9	.800 (20.32)	1.000 (25.40)	AF09-500-ND	294.03
10	.900 (22.86)	1.100 (27.94)	AF10-500-ND	304.92
11	1.000 (25.40)	1.200 (30.48)	AF11-500-ND	315.81
12	1.100 (27.94)	1.300 (33.02)	AF12-500-ND	326.70
13	1.200 (30.48)	1.400 (35.56)	AF13-500-ND	337.59
14	1.300 (33.02)	1.500 (38.10)	AF14-500-ND	348.48
15	1.400 (35.56)	1.600 (40.64)	AF15-500-ND	359.37
16	1.500 (38.10)	1.700 (43.18)	AF16-500-ND	392.04
18	1.700 (43.18)	1.900 (48.26)	AF18-500-ND	451.94
20	1.900 (48.26)	2.100 (53.34)	AF20-500-ND	517.28

**Free shipping on orders over £50! All prices are in British pound sterling and include duties.**

uk.digikey.com — FREEPHONE: 0-800-587-0991 • 0-800-904-7786 — FREEFAX: 0-800-587-0992 • 0-800-904-7783