

molex USB Cable Assemblies and Connectors



Fig. 1 and Fig. 2: Features: • Fully shielded and polarized plugs • Friction grip on over-molded body facilitates easy mating and unmating **Electrical:** • Voltage: 30V • Current: 1.0A • Contact Resistance: 30mΩ maximum • Dielectric Withstanding Voltage: 750VAC • Insulation Resistance: 1000MΩ minimum **Mechanical:** • Mating Force: 35N maximum • Withdrawal Force: 10N minimum • Durability: 1500 cycles minimum

Fig. 3: Features: • Fully compliant with current USB 2.0 specifications **Electrical:** • Voltage: 30V • Current: 1.0A • Insulation Resistance: 100MΩ minimum

Fig. 4: Features: • Contact: Copper (Cu) Alloy • Plating Contact: 0.76µm (30µ") Gold (Au) • Color: White **Electrical:** Current: 1.0A max. • Voltage: 30V max. • Dielectric Strength: 500VDC • Insulation Resistance: 100MΩ

A

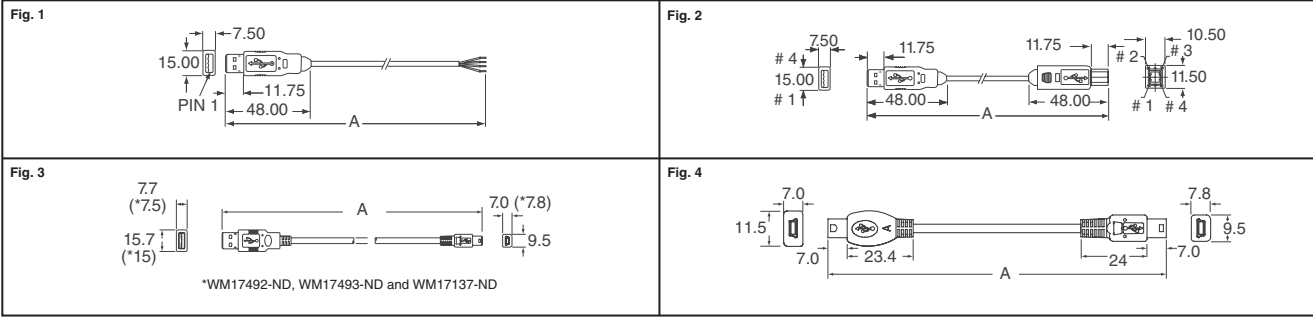


Fig.	Dimensions A mm	Description	Digi-Key Part No.	1	Price Each 10	25	Molex Part No.
1	2080	USB Type "A-to-Pigtail" Full-Rated – White	WM17104-ND	2.26	2.14	2.07	88728-3400
	2080	USB Type "A-to-Pigtail" Sub-Channel – White	WM17105-ND	1.59	1.51	1.46	88738-8200
2	820	USB Type "A-to-B" Full-Rated – White	WM17133-ND	2.03	1.92	1.86	88732-9000
	820	USB Type "A-to-B" – Black	WM17533-ND	2.19	1.76	1.47	88732-9002
	2090	USB Type "A-to-B" Full-Rated – White	WM17103-ND	2.56	2.41	2.34	88732-9200
	2090	USB Type "A-to-B" – Black	WM17534-ND	4.94	3.96	3.30	88732-9202
	5010	USB Type "A-to-B" Full-Rated – White	WM17134-ND	5.83	5.50	5.33	88732-9400
3	1000	USB Type "A to Mini-B" – White	WM17492-ND	2.10	1.99	1.93	88732-8600
	1000	USB Type "A to Mini-B" – Black	WM17493-ND	2.10	1.99	1.93	88732-8602
	2000	USB Type "A to Mini-B" – White	WM17132-ND	1.84	1.73	1.68	88732-8900
	2000	USB Type "A to Mini-B" – Black	WM17137-ND	2.48	2.34	2.27	88732-8902
4	1000	USB Type "Mini-A to Mini-B" – White	WM17494-ND	2.02	1.91	1.85	88753-8200
	1800	USB Type "Mini-A to Mini-B" – White	WM17135-ND	3.15	2.97	2.88	88753-8500

Industrial Ethernet Plugs and Jacks, Category 5E and USB



Category 5E: Specifications: • Contact: Phosphor Bronze (CuSn) • Plating Contact: 1.27µm (50µ") Gold (Au) • Under Plating: Nickel (Ni) • Housing Material: PA Polyamide (Nylon), PBT Polyester, TPE Thermo Plastic Elastomer • Color: Black • Flammability: UL 94V-0 • Durability (mating cycles): 500 cycles minimum • Current: 1.5A maximum • Voltage: 125V maximum • Withstanding Voltage: 1000VAC • Contact Resistance: 20mΩ maximum • Insulation Resistance: 500MΩ minimum **USB: Specifications:** • Voltage: 30V • Current: 1.0A • Receptacle Housing: PBT, Black • Overmolding: PVC, Black • Contact: Copper Alloy • Plating: Contact Area – 0.75µm (30µ") Gold (Au) • Operating Temperature: 0°C – 70°C • Flammability: UL94V-0 • Performance: USB 2.0 • Industrial Seal Rating: NEMA 6p and IP67

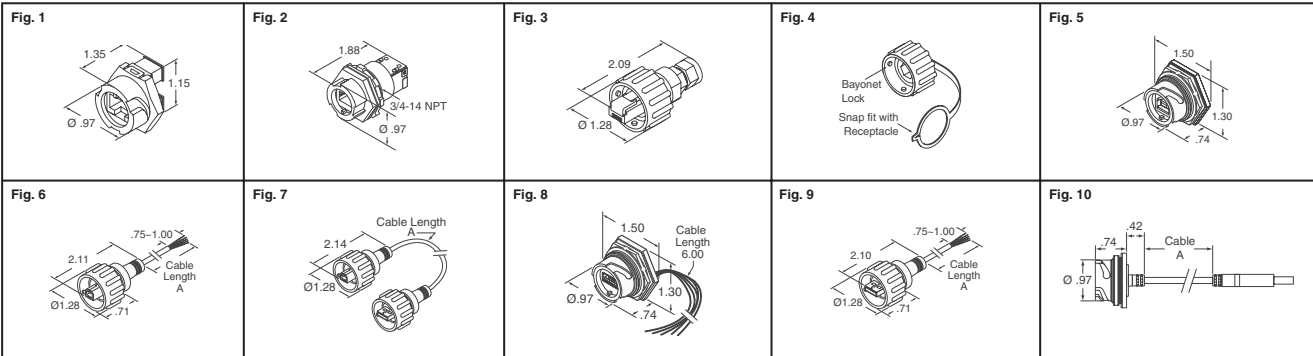


Fig.	Circuits – Contacts	Cable Length A Inch	Description	Digi-Key Part No.	1	Price Each 10	100	Molex Part No.
1	8 – 8	—	Receptacle, Panel Mount	WM17486-ND	21.78	20.54	18.67	84702-0006-P
	8 – 8	—	Receptacle, Panel Mount, Fully Potted	WM17487-ND	25.78	24.31	22.10	84702-0008-P
	8 – 8	—	Receptacle, Panel Mount, PCB	WM17491-ND	6.19	5.84	5.31	84702-0005
2	8 – 8	—	Receptacle, Bulkhead	WM17488-ND	25.53	24.08	21.89	84700-0001-P
3	8 – 8	—	Plug	WM17489-ND	16.49	15.56	14.14	84700-0002-P
4	—	—	Universal Dust Cover for Ethernet Receptacle	WM17490-ND	6.69	6.31	5.74	84700-0003-P
5	4	—	Receptacle, Panel Mount, USB B	WM17514-ND	8.60	8.11	7.38	84730-0001
	4	—	Receptacle, Panel Mount, USB A, PCB	WM17495-ND	8.52	8.04	7.31	84729-0009
6	4	59.06	Plug, USB B, Shielded Pigtail	WM17515-ND	18.61	17.56	15.96	84728-1002
	4	118.11	Plug, USB B, Shielded Pigtail	WM17516-ND	19.98	18.84	17.13	84728-1003
7	4	59.06	Dual Plug, USB A and B, Shielded Cable	WM17517-ND	17.83	16.81	15.29	84732-0002
	4	118.11	Dual Plug, USB A and B, Shielded Cable	WM17518-ND	18.82	17.75	16.14	84732-0004
8	4	—	Receptacle, Panel Mount, USB A, Pigtail	WM17519-ND	8.86	8.36	7.60	84729-0001
9	4	59.06	Plug, USB A, Shielded Pigtail	WM17520-ND	18.61	17.56	15.96	84727-1002
	4	118.11	Plug, USB A, Shielded Pigtail	WM17521-ND	19.98	18.84	17.13	84727-1003
10	4	31.88	USB A Cord Assembly Plug and Receptacle	WM17496-ND	9.91	9.35	8.50	84729-0004
	4	81.89	USB A Cord Assembly Plug and Receptacle	WM17497-ND	11.77	11.10	10.09	84729-0006
Crimp Tool for Ethernet Plug, 8 – 8				WM18998-ND	34.54	—	—	64016-0044

Free shipping on orders over £50! All prices are in British pound sterling and include duties.

uk.digikey.com — FREEPHONE: 0-800-587-0991 • 0-800-904-7786 — FREEFAX: 0-800-587-0992 • 0-800-904-7783

(UK091) 63