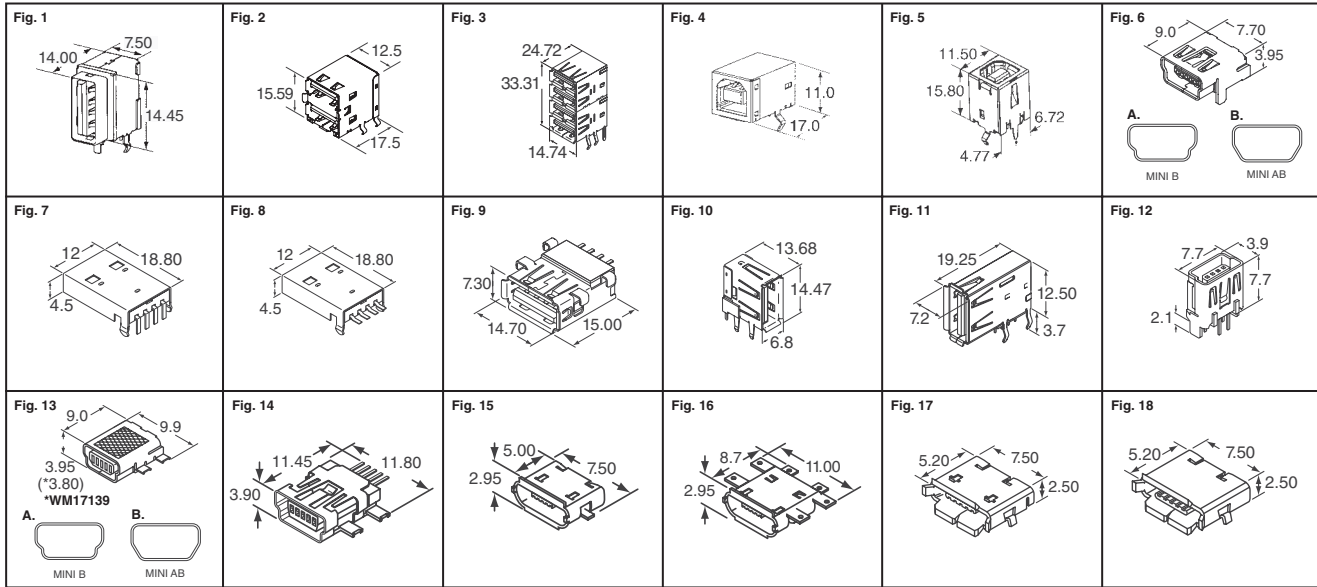


molex USB Connectors



A



USB Standard Features:

- Broad industry support from computer and telecom leaders
- 12 Mbit/sec low-cost data transfer rates
- Provides PC/telephone integration and digital connectivity
- Standard serial port connector for all devices
- Supports daisy chaining and up to 127 devices
- Windows '95 Operating Driver support
- Applications: Desktop and Notebook PCs • Peripherals • Keyboard, Mouse • Telephony, ISDN, PBX's, Handsets

USB Connectors:

- Electrical:** • Voltage: 30V • Current: Up to 1.5A • Contact Resistance: 30mΩ maximum • Dielectric Withstanding Voltage: 750VAC • Insulation Resistance: 1000MΩ minimum • Housing: Glass fiber-filled polyester, UL94V-0 • Plating: Gold

USB On-the-Go (OTG) Connectors:

- Approximately 1/8th the size of standard USB-B connectors
- Fully compliant with current USB 2.0 specifications
- Compact and lightweight design meets various portable and mobile equipment needs
- Operates at speeds up to 480Mbps
- Rugged durability up to 5,000 cycles

Micro-USB Connectors:

- The interconnect solutions for the Molex Micro-USB system include OTG compatible, Micro-B and Micro AB receptacles. **Features and Benefits:** • Stainless steel shell • Multi-snap shield design • Pick and place area **Applications:** • Mobile Phone • MP3 Players • Portable Digital Video Players • Digital Still Cameras • Digital Video Cameras

Fig.	Description	Operating Temperature Range (°C)	Digi-Key Part No.	Price Each			Digi-Key Part No.	Tape and Reel		Molex Part No.
				1	10	100		Qty.	Pricing	
1	Type "A" Upright, Right Angle, Gold Flash	0 - 40	WM17112-ND	.93	.88	.80	—	—	89485-8000	
	Type "A" Upright, Right Angle, 30 micro-inch, Gold	0 - 40	WM17138-ND	1.14	1.08	.98	—	—	89485-8001	
2	Type "A" Dual Stacked, Right Angle, White	0 - 50	WM17130-ND◆	.51	.49	.45	—	—	67298-4090	
3	Type "A" 4 Stacked, Right Angle, Black	0 - 40	WM17111-ND	2.92	2.75	2.51	—	—	67857-0011	
4	Type "B" Single, Right Angle, Black, Gold Flash	0 - 50	WM17113-ND◆	.70	.66	.61	—	—	67068-8000	
	Type "B" Single, Right Angle, Black, 30 micro-inch, Gold	0 - 50	WM17123-ND◆	1.17	1.11	1.01	—	—	67068-8001	
	Type "B" Single, Right Angle, White	0 - 50	WM17131-ND◆	.70	.66	.61	—	—	67068-9000	
5	Type "B" Vertical with Paired Board Locks and Grounding Pins	0 - 50	WM18716-ND◆	.81	.77	.70	—	—	67265-2001	
6A	Type "Mini-B" OTG, Right Angle, PCB Mount	0 - 50	WM17115-ND	1.23	1.16	1.10	—	—	54819-0519	
6B	Type "Mini-AB" OTG, Right Angle, 5-Position, PCB Mount	0 - 50	WM17121-ND◆	1.56	1.47	.67	—	—	56579-0519	
7	Type "A" Single, Right Angle, PCB Mount	-20 - 85	WM17117-ND◆	.84	.80	.73	—	—	48037-0001	
8	Type "A" Single, Right Angle, SMD	-20 - 85	WM17118-ND◆	.84	.80	.73	—	—	48037-1000	
9	Type "A" Single, Right Angle, SMD, Reverse Type	-20 - 85	WM17531CT-ND†◆	1.28	1.03	.86	WM17531TR-ND◆	300	153.33	47504-0001
10	Type "A" Single, Upright Right Angle, PCB Mount	-55 - 85	WM17136-ND◆	.84	.79	.72	—	—	47500-0000	
11	Type "A" Single, Upright Right Angle, PCB Mount, Reverse Type	-55 - 85	WM17532-ND◆	1.36	1.21	.81	—	—	48204-0001	
12	Type "Mini-B" USB OTG, Vertical, 5-Position, PCB Mount	0 - 50	WM17120-ND◆	3.06	2.88	2.63	—	—	50075-0517	
	Type "Mini-B" USB OTG, Vertical, 5-Position, PCB Mount	0 - 50	WM2072-ND◆	3.16	2.98	2.71	—	—	50075-1517	
13A	Type "Mini-B" USB OTG, Right Angle, 5-Position, SMD	0 - 50	WM17116CT-ND†	.82	.78	.71	WM17116TR-ND	800	457.59	54819-0572
	Type "Mini-B" USB OTG, Right Angle, 5-Position, SMD, SMD Shield	0 - 50	WM5461CT-ND†◆	.51	.48	.40	WM5461TR-ND◆	500	211.22	67503-1020
	Type "Mini-B" USB OTG, Right Angle, 5-Position, SMD, Through Hole Shield, Short Body	0 - 50	WM5462CT-ND†◆	.96	.91	.83	WM5462TR-ND◆	1,000	522.17	51387-0578
13B	Type "Mini-AB" USB OTG, Right Angle, SMD, with Cover Tape	-20 - 85	WM17139CT-ND†◆	.65	.62	.56	WM17139TR-ND◆	500	213.72	47153-1002
14	Type "Mini-B" USB OTG, Right Angle, 5-Position, SMD, Sink Type	-40 - 85	WM17122CT-ND†◆	1.59	1.51	1.46	WM17122TR-ND◆	800	837.59	56579-0576
15	Type "Micro-B" USB, SMD, Bottom Mount	-20 - 85	WM17140CT-ND†◆	.50	.48	.44	WM17140TR-ND◆	700	231.55	48242-0001
16	Type "Micro-B" USB, SMD, Mid Mount	-20 - 85	WM17141CT-ND†◆	.71	.67	.61	WM17141TR-ND◆	2,000	384.27/M	47346-0001
17	Type "Micro-AB" USB, SMD, Bottom Mount	-20 - 85	WM17142CT-ND†◆	.80	.76	.69	WM17142TR-ND◆	1,200	434.12/M	47491-0001
18	Type "Micro-AB" USB, SMD, Top Mount	-20 - 85	WM17143CT-ND†◆	.64	.59	.48	WM17143TR-ND◆	1,500	373.17/M	47589-0001
18	Type "Micro-AB" USB, SMD, Top Mount	-20 - 85	WM17144CT-ND†◆	.64	.59	.48	WM17144TR-ND◆	1,500	373.17/M	47590-0001

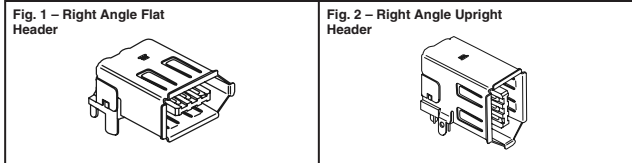
† Cut Tape ◆ RoHS Compliant

Firewire 1394 I/O Connectors



Specifications: Headers are offered in high temperature plastic for true SMT processing. Full metal shielding design supports ESD protection. Rugged gold plated leaf contacts withstands up to 1500 cycles.

Fig.	Digi-Key Part No.	1	10	100	Molex Part No.
1	WM17302-ND	1.95	1.85	1.68	53462-0629
2	WM17303-ND	2.41	2.32	2.12	53460-0629



Digi-Reel® Most SMT cutdown parts are available on a Digi-Reel®. For Digi-Reel part number, change 1-ND to 6-ND or CT-ND to DKR-ND. See Digi-Key® Services on page 2 for additional information.

Free shipping on orders over £50! All prices are in British pound sterling and include duties.

62 (UK091) uk.digikey.com — FREEPHONE: 0-800-587-0991 • 0-800-904-7786 — FREEFAX: 0-800-587-0992 • 0-800-904-7783