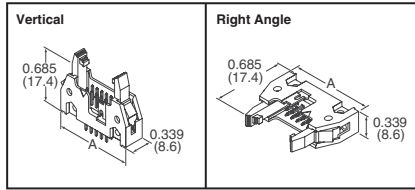


FCI Quickie™ Headers and Connectors



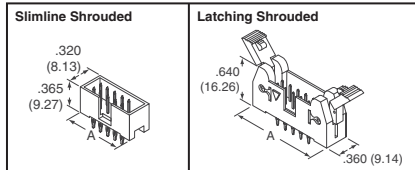
Eject Latch Headers

Specifications: • Contact Plating: 30µ" (0.76 µm) Gold • Current Rating: 3 Amp Continuous • Temperature Range: -65°C - 125°C • Housing Material: Glass Filled, Thermoplastic: UL94V-0, Color: Gray • Pin Material: Phosphor Bronze • 20N minimum Latch Retention Force at First Extraction



| No. of Pos. | Dimension A Inch (mm) | Digi-Key Part No. | Pricing 1 25 | FCI Part No. |
|---|-----------------------|-------------------|--------------|--------------|
| Vertical Header with Standard Latch | | | | |
| 6 | 1.060 (26.92) | 609-2843-ND | .99 13.74 | 71918-106LF |
| 10 | 1.260 (32.00) | 609-1753-ND | 1.11 15.51 | 71918-110LF |
| 16 | 1.560 (39.62) | 609-1754-ND | 1.29 17.89 | 71918-116LF |
| 20 | 1.760 (44.70) | 609-1755-ND | 1.39 19.81 | 71918-120LF |
| 26 | 2.060 (52.32) | 609-1756-ND | 1.55 22.24 | 71918-126LF |
| 34 | 2.460 (62.48) | 609-1757-ND | 1.74 26.16 | 71918-134LF |
| 40 | 2.760 (70.10) | 609-1758-ND | 2.27 34.96 | 71918-140LF |
| 50 | 3.260 (82.80) | 609-1759-ND | 2.29 35.07 | 71918-150LF |
| Right Angle Header with Standard Latch | | | | |
| 6 | 1.060 (26.92) | 609-2844-ND | .99 13.74 | 71922-106LF |
| 10 | 1.260 (32.00) | 609-1760-ND | 1.11 15.51 | 71922-110LF |
| 16 | 1.560 (39.62) | 609-1761-ND | 1.72 25.86 | 71922-116LF |
| 20 | 1.760 (44.70) | 609-1762-ND | 1.42 20.30 | 71922-120LF |
| 26 | 2.060 (52.32) | 609-1763-ND | 1.55 22.24 | 71922-126LF |
| 34 | 2.460 (62.48) | 609-1764-ND | 1.70 25.52 | 71922-134LF |
| 40 | 2.760 (70.10) | 609-1765-ND | 1.93 28.69 | 71922-140LF |
| 50 | 3.260 (82.80) | 609-1766-ND | 2.29 35.07 | 71922-150LF |

Shrouded Headers

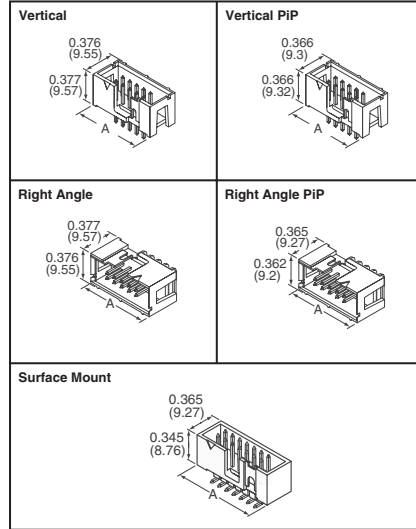


The spring-tension, "Eye-of-Needle" compliant section reduces insertion force during connector installation. The press-fit headers are offered in low-profile, slimline versions or versions equipped with end latches. These dual-row headers utilize 0.64mm (0.025") square pins spaced on 2.54mm (0.100") x 2.54mm (0.100") pitch.

| No. of Pos. | Dim. A Inch (mm) | Digi-Key Part No. | Pricing 1 25 | FCI Part No. |
|----------------------------------|------------------|-------------------|--------------|----------------|
| Slimline Shrouded Headers | | | | |
| 10 | .78 (19.81) | 609-3084-ND | 2.36 36.56 | 10073456-001LF |
| 20 | 1.28 (32.51) | 609-3085-ND | 2.90 45.27 | 10073456-019LF |
| 24 | 1.48 (37.59) | 609-3086-ND | 3.15 49.29 | 10073456-025LF |
| 30 | 1.78 (45.21) | 609-3087-ND | 3.75 59.57 | 10073456-038LF |
| 40 | 2.28 (57.91) | 609-3088-ND | 4.07 67.67 | 10073456-049LF |
| Latching Shrouded Headers | | | | |
| 10 | 1.26 (32.00) | 609-3089-ND | 2.73 43.86 | 10080054-007LF |
| 14 | 1.46 (37.08) | 609-3090-ND | 2.94 45.89 | 10080054-043LF |
| 16 | 1.56 (39.62) | 609-3091-ND | 2.88 44.99 | 10080054-061LF |
| 20 | 1.76 (44.70) | 609-3092-ND | 4.44 69.27 | 10080054-079LF |
| 24 | 1.96 (49.78) | 609-3095-ND | 3.27 52.03 | 10080054-524LF |
| 26 | 2.06 (52.32) | 609-3093-ND | 3.83 63.59 | 10080054-115LF |
| 40 | 2.76 (70.10) | 609-3094-ND | 4.20 69.75 | 10080054-169LF |

Low Profile Headers

Specifications: • Contact Plating: 30µ" (0.76 µm) Gold • Current Rating: 3 Amps Continuous • Temperature Range: -65°C - 125°C • Housing Material: Glass Filled, Thermoplastic: UL94V-0, Color: Blue • Pin Material: Phosphor Bronze • SMT/PIP Compatible with wave, vapor-phase and IR reflow soldering processes • PIP: Pin in Paste



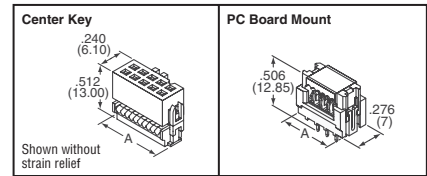
| No. of Pos. | Dimension A Inch (mm) | Digi-Key Part No. | Pricing 1 25 | FCI Part No. |
|-----------------------------|-----------------------|-------------------|--------------|----------------|
| Vertical Headers | | | | |
| 6 | 0.584 (14.83) | 609-2845-ND | .64 8.14 | 75869-131LF |
| 10 | 0.784 (19.91) | 609-1774-ND | 1.22 16.94 | 75869-101LF |
| 16 | 1.084 (27.53) | 609-1775-ND | 1.21 16.25 | 75869-103LF |
| 20 | 1.284 (32.61) | 609-1776-ND | 1.09 15.24 | 75869-104LF |
| 26 | 1.584 (40.23) | 609-1777-ND | 1.31 18.79 | 75869-105LF |
| 34 | 1.984 (50.39) | 609-1778-ND | 1.69 25.03 | 75869-106LF |
| 40 | 2.284 (58.01) | 609-1779-ND | 1.91 28.67 | 75869-107LF |
| 50 | 2.784 (70.10) | 609-1780-ND | 2.34 35.79 | 75869-108LF |
| Vertical PIP Headers | | | | |
| 10 | 0.791 (20.10) | 609-3014-ND | 1.25 16.84 | 10056844-110LF |
| 14 | 0.991 (25.18) | 609-3015-ND | 1.18 15.88 | 10056844-114LF |
| 16 | 1.091 (27.72) | 609-3016-ND | 1.45 20.21 | 10056844-116LF |
| 20 | 1.291 (32.87) | 609-3017-ND | 1.60 23.56 | 10056844-120LF |
| 26 | 1.591 (40.42) | 609-3018-ND | 1.95 29.15 | 10056844-126LF |
| 30 | 1.791 (45.50) | 609-3019-ND | 2.27 33.60 | 10056844-130LF |
| 34 | 1.991 (50.54) | 609-3020-ND | 2.50 38.41 | 10056844-134LF |
| 40 | 2.291 (58.20) | 609-3021-ND | 2.53 38.75 | 10056844-140LF |
| Right Angle Headers | | | | |
| 4 | 0.483 (12.29) | 609-3077-ND | .73 9.60 | 75867-130LF |
| 6 | 0.584 (14.83) | 609-2846-ND | .86 8.66 | 75867-131LF |
| 8 | 0.684 (17.37) | 609-3078-ND | .71 9.27 | 75867-132LF |
| 10 | 0.784 (19.91) | 609-1767-ND | .83 11.47 | 75867-101LF |
| 14 | 0.984 (24.99) | 609-3079-ND | .92 12.41 | 75867-102LF |
| 16 | 1.084 (27.53) | 609-1768-ND | 1.27 17.65 | 75867-103LF |
| 20 | 1.284 (32.61) | 609-1769-ND | 1.13 15.22 | 75867-104LF |
| 26 | 1.584 (40.23) | 609-1770-ND | 1.40 20.01 | 75867-105LF |
| 34 | 1.984 (50.39) | 609-1771-ND | 2.00 29.65 | 75867-106LF |
| 40 | 2.284 (58.01) | 609-1772-ND | 1.85 27.81 | 75867-107LF |
| 50 | 2.784 (70.10) | 609-1773-ND | 2.65 41.08 | 75867-108LF |
| 60 | 3.283 (83.41) | 609-3080-ND | 3.11 48.32 | 75867-109LF |
| 64 | 3.484 (88.49) | 609-3081-ND | 2.69 41.70 | 75867-110LF |

| No. of Pos. | Dimension A Inch (mm) | Digi-Key Part No. | Pricing 1 25 | FCI Part No. |
|--------------------------------|-----------------------|-------------------|--------------|----------------|
| Right Angle PIP Headers | | | | |
| 10 | 0.791 (20.10) | 609-3022-ND | 1.39 19.37 | 10056845-110LF |
| 14 | 0.991 (25.18) | 609-3023-ND | 1.53 21.90 | 10056845-114LF |
| 16 | 1.091 (27.72) | 609-3024-ND | 1.66 24.42 | 10056845-116LF |
| 20 | 1.291 (32.87) | 609-3025-ND | 1.83 26.27 | 10056845-120LF |
| 26 | 1.591 (40.42) | 609-3026-ND | 2.08 31.20 | 10056845-126LF |
| 30 | 1.791 (45.50) | 609-3027-ND | 2.35 36.00 | 10056845-130LF |
| 34 | 1.991 (50.54) | 609-3028-ND | 2.56 39.20 | 10056845-134LF |
| 40 | 2.291 (58.20) | 609-3029-ND | 2.93 45.48 | 10056845-140LF |
| SMT Headers | | | | |
| 10 | 0.790 (20.07) | 609-3075-ND | 1.71 25.73 | 72454-010LF |
| 14 | 0.99 (25.2) | 609-3011-ND | 1.71 25.56 | 72454-014LF |
| 16 | 1.090 (27.69) | 609-3012-ND | 1.55 22.20 | 72454-016LF |
| 20 | 1.290 (32.77) | 609-3076-ND | 1.76 26.30 | 72454-020LF |
| 40 | 2.290 (58.17) | 609-3013-ND† | 3.99 67.88 | 72454-040LF |

† Contact Plating: 100µ" (3.05µ) Tin

100" x .100" (2.54 mm x 2.54 mm) Socket Connectors

Use .050" (1.27 mm) Pitch Ribbon Cable



Specifications: • Contact Plating: 30µ" (0.76 µm) Gold • Current Rating: 1 Amp Continuous • Temperature Range: -65°C - 125°C • Plastic Material: Glass Filled High Temperature, Thermoplastic: UL94V-0, Color: Gray • Pin Material: Phosphor Bronze

| No. of Pos. | Dimension A Inch (mm) | Digi-Key Part No. | Pricing 1 25 | FCI Part No. |
|---|-----------------------|-------------------|--------------|--------------|
| Center Key without Strain Relief | | | | |
| 6 | 0.476 (12.09) | 609-2842-ND | .76 10.49 | 71600-106LF |
| 10 | 0.672 (17.07) | 609-1746-ND | .88 12.44 | 71600-110LF |
| 16 | 0.976 (24.79) | 609-1747-ND | 1.31 18.14 | 71600-116LF |
| 20 | 1.172 (29.78) | 609-1748-ND | 1.02 14.17 | 71600-120LF |
| 26 | 1.476 (37.49) | 609-1749-ND | 1.10 14.88 | 71600-126LF |
| 34 | 1.876 (47.65) | 609-1750-ND | 1.89 28.33 | 71600-134LF |
| 40 | 2.176 (55.27) | 609-1751-ND | 1.68 25.32 | 71600-140LF |
| 50 | 2.676 (67.97) | 609-1752-ND | 2.19 33.64 | 71600-150LF |
| Center Key with Strain Relief | | | | |
| 6 | 0.476 (12.09) | 609-2841-ND | .74 9.79 | 71600-006LF |
| 10 | 0.672 (17.07) | 609-1739-ND | .96 12.88 | 71600-010LF |
| 16 | 0.976 (24.79) | 609-1740-ND | 1.19 16.13 | 71600-016LF |
| 20 | 1.172 (29.78) | 609-1741-ND | .98 13.21 | 71600-020LF |
| 26 | 1.476 (37.49) | 609-1742-ND | 1.49 21.90 | 71600-026LF |
| 34 | 1.876 (47.65) | 609-1743-ND | 1.71 25.21 | 71600-034LF |
| 40 | 2.176 (55.27) | 609-1744-ND | 1.39 19.94 | 71600-040LF |
| 50 | 2.676 (67.97) | 609-1745-ND | 1.97 29.16 | 71600-050LF |
| Center Key with Latching Strain Relief | | | | |
| 6 | 0.476 (12.09) | 609-3067-ND | .78 10.67 | 71600-606LF |
| 10 | 0.672 (17.07) | 609-3068-ND | .76 10.50 | 71600-610LF |
| 16 | 0.976 (24.79) | 609-3069-ND | 1.00 13.82 | 71600-616LF |
| 20 | 1.172 (29.78) | 609-3070-ND | 1.15 15.46 | 71600-620LF |
| 26 | 1.476 (37.49) | 609-3071-ND | 1.24 17.26 | 71600-626LF |
| 34 | 1.876 (47.65) | 609-3072-ND | 1.42 20.91 | 71600-634LF |
| 40 | 2.176 (55.27) | 609-3073-ND | 1.56 23.04 | 71600-640LF |
| 50 | 2.676 (67.97) | 609-3074-ND | 1.89 28.07 | 71600-650LF |
| PC Board Mount | | | | |
| 6 | 0.475 (12.08) | 609-3082-ND | .68 8.67 | 69830-006LF |
| 8 | .0575 (14.62) | 609-3083-ND | .74 10.16 | 69830-008LF |
| Crimp Tool | | | | |
| Hand Press | | 609-1781-ND | 2496.16/1 | 107484-002 |

molex .100" (2.54mm) Round Conductor Flat Cable in Precut Lengths

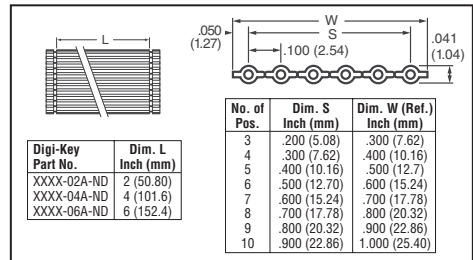
26 AWG (7 x 34) Stranded, Topcoat

Features: • Gray PVC insulation • UL Temperature Rating: -20°C - 105°C • UL Voltage: 300V maximum • UL Flammability Rating: VW-1 • UL Style No. 2651 • UL Recognized (File #E61522) • CSA Certification (File #LL61126)



| No. of Pos. | Digi-Key Part No. | Pricing 1 10 | Molex Part No. |
|-------------|-------------------|--------------|----------------|
| 3 | WM03-02A-ND | .19 1.81 | 25001-0302 |
| | WM03-04A-ND | .23 2.19 | 25001-0304 |
| | WM03-06A-ND | .27 2.58 | 25001-0306 |
| 4 | WM04-02A-ND | .26 2.47 | 25001-0402 |
| | WM04-04A-ND | .32 3.06 | 25001-0404 |
| | WM04-06A-ND | .40 3.80 | 25001-0406 |
| 5 | WM05-02A-ND | .27 2.55 | 25001-0502 |
| | WM05-04A-ND | .34 3.20 | 25001-0504 |
| | WM05-06A-ND | .43 4.02 | 25001-0506 |
| 6 | WM06-02A-ND | .28 2.64 | 25001-0602 |
| | WM06-04A-ND | .35 3.34 | 25001-0604 |
| | WM06-06A-ND | .45 4.25 | 25001-0606 |

| No. of Pos. | Digi-Key Part No. | Pricing 1 10 | Molex Part No. |
|-------------|-------------------|--------------|----------------|
| 7 | WM07-02A-ND | .29 2.69 | 25001-0702 |
| | WM07-04A-ND | .37 3.52 | 25001-0704 |
| | WM07-06A-ND | .48 4.48 | 25001-0706 |
| 8 | WM08-02A-ND | .29 2.78 | 25001-0802 |
| | WM08-04A-ND | .39 3.69 | 25001-0804 |
| | WM08-06A-ND | .50 4.73 | 25001-0806 |
| 9 | WM09-02A-ND | .30 2.86 | 25001-0902 |
| | WM09-04A-ND | .41 3.83 | 25001-0904 |
| | WM09-06A-ND | .53 4.96 | 25001-0906 |
| 10 | WM10-02A-ND | .31 2.95 | 25001-1002 |
| | WM10-04A-ND | .43 4.02 | 25001-1004 |
| | WM10-06A-ND | .56 5.24 | 25001-1006 |



Free shipping on orders over £50! All prices are in British pound sterling and include duties.

uk.digikey.com — FREEPHONE: 0-800-587-0991 • 0-800-904-7786 — FREEFAX: 0-800-587-0992 • 0-800-904-7783

(UK091) 53