



Miniature Pushbutton Switches PBH Series

Miniature switches that feature an ultra light feel with a short stroke. Ideal for telecommunications and test equipment, and wherever miniaturization is required.

• Contact/Terminals Material: Silver Plated **• Contact Resistance:** <0.1Ω **• Voltage Rating:** 30VDC **• Switching Current Maximum:** 100mA **• Life:** ≥ 1 x 10,000 cycles **• Moving Contacts:** Phosphor bronze - 1 micron silver **• Force:** 280 ±50gf **• Travel To Lock:** .08" (2mm) **• Operating Temperature Range:** -20°C ~ 70°C **• Caps sold separately**

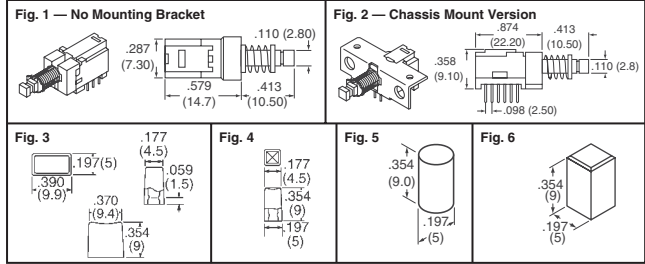


Fig.	Description	Digi-Key Part No.	1	Pricing 10	100	E-Switch Part No.
1	Right Angle, Momentary, DPDT	EG2654-ND	1.23	10.96	94.50	PBH2UOANAGX
	Right Angle, Alternate Action DPDT	EG2655-ND	1.36	12.09	104.25	PBH2UEENAGX
	Right Angle, Alternate Action, 4PDT	EG2657-ND	1.55	13.83	119.25	PBH4UEENAGX
	Right Angle, Momentary, 4PDT	EG2658-ND	1.41	12.62	108.75	PBH4UOANAGX
2	Chassis Mount, Right Angle, Alternate Action DPDT	EG2656-ND	1.01	8.99	77.50	1XPBH2UEENAGX
	Rectangle Cap, Red	EG1185-ND	.25	2.26	19.50	1CRD
3	Rectangle Cap, Black	EG1181-ND	.25	2.26	19.50	1OBLK
	Rectangle Cap, Dark Grey	EG1182-ND	.26	2.35	20.25	1ODGR
	Long Square Cap, Red	EG1195-ND	.25	2.26	19.50	1DRD
4	Long Square Cap, Black	EG1191-ND	.25	2.26	19.50	1DBLK
	Long Square Cap, Dark Grey	EG1192-ND	.26	2.35	20.25	1DDGR
	Round Cap, Diameter, Red	EG1180-ND	.25	2.26	19.50	1RRD
	Round Cap, Diameter, White	EG1181-ND	.25	2.26	19.50	1RWHT
	Round Cap, Diameter, Black	EG1182-ND	.25	2.26	19.50	1RBLK
	Round Cap, Diameter, Light Grey	EG1183-ND	.26	2.35	20.25	1RLGR
5	Round Cap, Diameter, Dark Grey	EG1184-ND	.26	2.35	20.25	1RDGR
	Square Cap, Black	EG4379-ND	.25	2.26	19.50	1SBLK
	Square Cap, Red	EG4364-ND	.25	2.26	19.50	1SRD
6	Square Cap, White	EG4365-ND	.25	2.26	19.50	1SWHT

Power Switches P227/P197 Series

P227 Series: Rating 125VAC @ 7A, 250VAC @ 4A. DPDT Alternate Action Panel Mount. Approvals: UL, CSA, Demko, Semko, SEV, Femko, Nemko.

P197 Series: Rating 5A @ AC250V. Approvals: UL, CSA, VDE, Semko, Nemko, Demko. **Caps sold separately.**

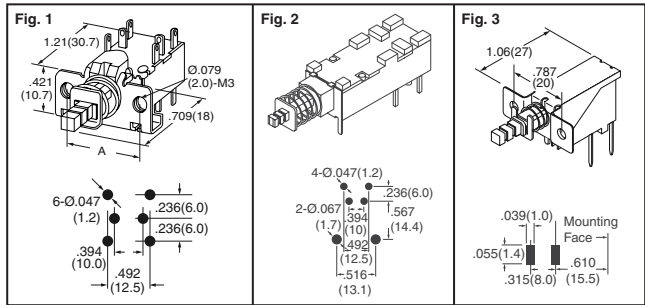


Fig.	Description	Digi-Key Part No.	1	Pricing 10	100	E-Switch Part No.
1	Pushbutton, DPDT, Alt. Act., Dim. A = .79" (20mm)	EG1018-ND	3.49	3.12	2.69	P227EE2B20A
	Pushbutton, DPDT, Alt. Act., Dim. A = .71" (18mm)	EG1020-ND	3.49	3.12	2.69	P227EE2B18A
2	Pushbutton, DPST, Alt. Act., PCB Mount, 7A	EG1026-ND	3.40	3.04	2.62	P227FE1CXK
3	Pushbutton, SPST, Alt. Act., PCB Mount, 5A	EG1021-ND	3.17	2.83	2.44	P197EEPB
	Pushbutton, SPST, Alt. Act., Panel Mount, 5A	EG1022-ND	3.17	2.83	2.44	P197EESB

Pushbutton Switches JN Series

• Contacts: Silver Plated **• Contact Resistance:** 50mΩ maximum **• Voltage Ratings:** 30V **• DC Rating:** 0.1A **• Caps sold separately**

Description	Digi-Key Part No.	1	Pricing 10	100	E-Switch Part No.
Individual Mount, Momentary Action DPDT	EG4368-ND	1.38	1.23	1.06	JN2UOANAGX
Chassis Mount, Stand Up, Alternate Action DPDT	EG1016-ND	1.15	1.03	.89	1XJN002UEE
Chassis Mount, Stand Up, Momentary Action DPDT	EG1017-ND	1.65	1.48	1.28	1XJN002UOA

Pushbutton Switches TL Series

Rating: DC 30V 0.1A **Circuit:** DPDT - 4PDT **Timing:** Non-Shorting **Travel Stroke:** Full 2.5, Lock 1.5 **Operating Force:** TL2285 = 180 ±50gf TL4201 = 250 +100/-50gf **Life:** 10,000 cycles minimum **Caps sold separately.**

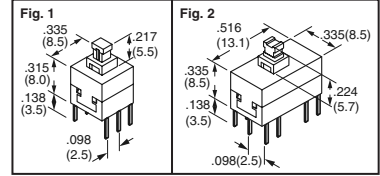


Fig.	Description	Digi-Key Part No.	1	Price Each 10	100	E-Switch Part No.
1	Momentary Action, DPDT, PCB Mount, Silver Plating	EG1871-ND	1.03	.93	.80	TL2285OA
	Alternate Action, DPDT, PCB Mount, Silver Plating	EG1872-ND	1.03	.93	.80	TL2285EE
2	Momentary Action, 4PDT, PCB Mount, Silver Plating	EG1873-ND	2.22	1.98	1.71	TL4201OAYA
	Alternate Action, 4PDT, PCB Mount, Silver Plating	EG1874-ND	2.22	1.98	1.71	TL4201EAYA

Switch Caps

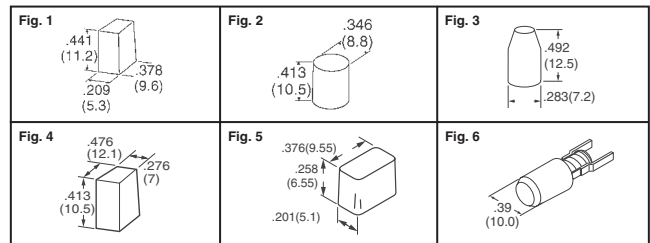


Fig.	Description#	Digi-Key Part No.	1	Pricing 10	100	E-Switch Part No.
1	Rectangle Cap, White	EG1088-ND	.35	3.10	26.75	TACWHT
	Rectangle Cap, Black	EG1081-ND	.35	3.10	26.75	TACBLK
	Rectangle Cap, Red	EG1085-ND	.35	3.10	26.75	TACRED
	Rectangle Cap, Grey	EG1082-ND	.35	3.10	26.75	TACGRY
	Round Cap, White	EG1098-ND	.35	3.10	26.75	TAGWHT
2	Round Cap, Black	EG1091-ND	.35	3.10	26.75	TAGBLK
	Round Cap, Grey	EG1092-ND	.35	3.10	26.75	TAGGRY
	Round Cap, Red	EG1095-ND	.35	3.10	26.75	TAGRED
3	Bullet Shaped Cap, Black	EG1012-ND	.35	3.10	26.75	TAMBLK
	Bullet Shaped Cap, White	EG1013-ND	.35	3.10	26.75	TAMWHT
	Bullet Shaped Cap, Grey	EG1014-ND	.35	3.10	26.75	TAMGRY
4	Rectangle Cap, Red	EG1019-ND	.35	3.10	26.75	TADRED
	Rectangle Cap, Black	EG1877-ND	.35	3.10	26.75	TADBLK
	Rectangle Cap, White	EG1878-ND	.35	3.10	26.75	TADWHT
	Rectangle Cap, Grey	EG1879-ND	.35	3.10	26.75	TADGRY
5	Rectangle Cap, with Chamfered Edges, Black	EG1875-ND	.41	3.65	31.50	TAKBLK
	Rectangle Cap, with Chamfered Edges, Grey	EG1876-ND	.80	7.16	61.75	TAKGRY
6	Round Cap, with Shutter Window, Blue	EG2633-ND	1.36	12.26	98.10	TH201-BLU
	Round Cap, with Shutter Window, Orange	EG2635-ND	1.36	12.26	98.10	TH201-ORG
	Round Cap, with Shutter Window, White	EG2636-ND	1.36	12.26	98.10	TH201-WHT
	Round Cap, with Shutter Window, Yellow	EG2637-ND	1.36	12.26	98.10	TH201-YEL

♦ RoHS Compliant **†** All caps are gloss finish **Note:** These caps fit JN, TL4201, P227 and P197 Series

Power Pushbutton Switches RP8100 Series

Features: • Threaded or snap in panel mount • LED illuminated option • Sealed to IP65 **Markets:** • Telecommunications • Audio • Appliance • Instrumentation • Consumer Electronics **Specifications:** • Contact Rating: 125mA @ 125VAC, 100mA @ 50VDC • Life Expectancy: 500,000 cycles • Contact Resistance: 50mΩ max. • Insulation Resistance: 1,000VAC min. @ 500VDC • Dielectric Strength: 1,000VAC rms. • Operating Force: 300gf ±100gf • Operating Temperature: -30°C ~ 85°C **Materials:** • Housing: Nylon • Button: Nylon • Terminal Case: Thermo Plastic • Terminals: Copper alloy, plated • Contact: Copper alloy, plated

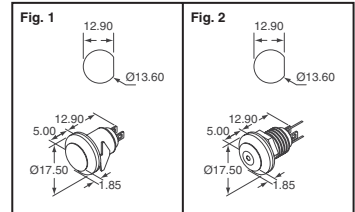


Fig.	Description	Digi-Key Part No.	1	Price Each 10	100	E-Switch Part No.
1	Snap-In, Black Cap	EG4569-ND	6.70	5.98	5.15	RP8100B1M1CEBLKBLKNIL
	Threaded, Black Cap	EG4570-ND	7.28	6.50	5.60	RP8100B2M1CEBLKBLKNIL
2	Threaded, Blue Cap	EG4571-ND	7.28	6.50	5.60	RP8100B2M1CEBLKBLKUNIL
	Threaded, Black Cap, Blue LED	EG4572-ND	8.78	7.83	6.75	RP8100B2M1CEBLKBLKBLU
	Threaded, Black Cap, Green LED	EG4573-ND	8.39	7.49	6.45	RP8100B2M1CEBLKBLKGRN
	Threaded, Black Cap, Red LED	EG4574-ND	8.39	7.49	6.45	RP8100B2M1CEBLKBLKRED
	Threaded, Black Cap, White LED	EG4575-ND	8.78	7.83	6.75	RP8100B2M1CEBLKBLKWHIT