

# JST PHD Series 2.0mm Connectors (Cont.)



Fig.	Cir- cuts	Dimensions - mm		Digi-Key Part No.	Pricing			JST Part No.
		A	B		10	100	500	
<b>Side Entry (Shrouded)</b>								
3	8	6.0	9.9	455-2256-ND	3.06	25.51	102.05	S8B-PHDSS(LF)(SN)(P)
	10	8.0	11.9	455-1775-ND	3.63	30.27	121.07	S10B-PHDSS(LF)(SN)
	12	10.0	13.9	455-1776-ND	4.25	35.45	141.81	S12B-PHDSS(LF)(SN)
	14	12.0	15.9	455-1777-ND	5.03	41.95	167.80	S14B-PHDSS(LF)(SN)
	16	14.0	17.9	455-1778-ND	5.21	43.38	173.50	S16B-PHDSS(LF)(SN)
	18	16.0	19.9	455-1779-ND	5.77	48.05	192.20	S18B-PHDSS(LF)(SN)
	20	18.0	21.9	455-1780-ND	6.28	52.33	209.30	S20B-PHDSS(LF)(SN)
	22	20.0	23.9	455-1781-ND	7.89	65.78	263.11	S22B-PHDSS(LF)(SN)
	24	22.0	25.9	455-1782-ND	8.57	71.42	285.68	S24B-PHDSS(LF)(SN)
	26	24.0	27.9	455-1783-ND	8.97	74.78	299.13	S26B-PHDSS(LF)(SN)
	28	26.0	29.9	455-1784-ND	9.26	77.18	308.71	S28B-PHDSS(LF)(SN)
	30	28.0	31.9	455-1785-ND	9.82	81.80	327.18	S30B-PHDSS(LF)(SN)
	32	30.0	33.9	455-1786-ND	10.23	85.27	341.08	S32B-PHDSS(LF)(SN)
	34	32.0	35.9	455-1787-ND	10.62	88.52	354.07	S34B-PHDSS(LF)(SN)

Description	Digi-Key Part No.	Cut Tape Pricing		Tape & Reel Pricing*	JST Part No.
		100	500		
<b>Contacts-Tin Plated</b>					
26 - 22 AWG	455-1325-1-ND	2.32	9.26	13.89/M	SPHD-001T-P0.5
28 - 24 AWG	455-1313-1-ND	2.32	9.26	13.89/M	SPHD-002T-P0.5
<b>Crimp Tools</b>					
26 - 22 AWG Contacts	455-1238-ND	440.15/1	—	—	WC-610
28 - 24 AWG Contacts	455-1237-ND	873.26/1	—	—	YRS-620

\* For Tape and Reel part number, change 1-ND to 2-ND.

## EH Series 2.5mm Connectors



**Features:** • Compact and Slim: This connector is designed to be compact and unusually thin. It measures only 8.1mm (.319") high after mounting and is just 3.8mm (.150") wide. • Highly Reliable Contact: The contact has long dimples near the center that ensure continuity of low voltage and low current circuits at all times, even under conditions of vibration and abusive prying. • Polarizing Guides: The header and housing have guides to prevent improper mating. • Whisker Prevention: The contact material is treated with a reflow process, and the square post is copper-undercoated and tin/lead-plated for whisker prevention. • Easy and Effective Crimping: Although the contact is compact, it has a long wire strip length, 2.6 ± 0.4mm (.102" ± .016"). This long length is very useful for automatic crimping and when crimping shielded wires.

**Specifications:** • Current Rating: 3A AC/DC (22 AWG) • Voltage Rating: 250V AC/DC • Temperature Range: -25°C ~ 85°C • Applicable Wire: 32 - 22 AWG

**Material and Finish:** • Contact: Phosphor bronze, tin-plated • Housing: Nylon 66, UL94V-0, natural (white) • Posts for Headers: Brass, copper-undercoated, tin/lead plated • Wafer: Nylon 66, UL94V-0, natural (white) **Applicable PC Board Thickness:** 0.8 - 1.6mm (.031" ~ .063")

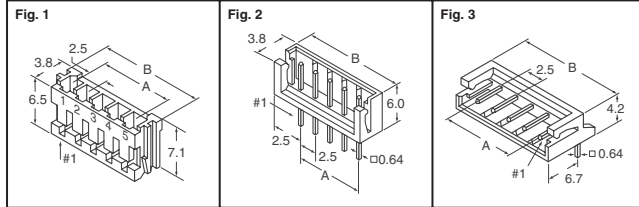


Fig.	Cir- cuts	Dimensions - mm		Digi-Key Part No.	Pricing			JST Part No.
		A	B		10	100	500	
<b>Disconnectable Crimp Style Female Receptacle Housing — RoHS Compliant</b>								
1	2	2.5	7.0	455-1000-ND	.42	3.48	13.92	EHR-2
	3	5.0	9.5	455-1001-ND	.46	3.85	15.41	EHR-3
	4	7.5	12.0	455-1002-ND	.47	3.93	15.71	EHR-4
	5	10.0	14.5	455-1003-ND	.52	4.37	17.48	EHR-5
	6	12.5	17.0	455-1004-ND	.57	4.74	18.96	EHR-6
	7	15.0	19.5	455-1005-ND	.66	5.48	21.92	EHR-7
	8	17.5	22.0	455-1006-ND	.68	5.71	22.83	EHR-8
	9	20.0	24.5	455-1007-ND	.98	8.15	32.60	EHR-9
	10	22.5	27.0	455-1008-ND	1.03	8.60	34.38	EHR-10
	11	25.0	29.5	455-1009-ND	1.28	10.67	42.68	EHR-11
	12	27.5	32.0	455-1010-ND	1.55	12.89	51.57	EHR-12
	13	30.0	34.5	455-1011-ND	1.64	13.63	54.53	EHR-13
	14	32.5	37.0	455-1012-ND	2.08	17.34	69.35	EHR-14
	15	35.0	39.5	455-1013-ND	2.14	17.86	71.42	EHR-15
	<b>Top Entry Shrouded Board-Mount Headers (Use with EH and HR Series Female Housing - Not TUV approved) — RoHS Compliant</b>							
2	2	2.5	7.5	455-1611-ND	.73	6.05	24.20	B2B-EH-A(LF)(SN)
	3	5.0	10.0	455-1612-ND	.99	8.21	32.84	B3B-EH-A(LF)(SN)
	4	7.5	12.5	455-1613-ND	1.30	10.81	43.22	B4B-EH-A(LF)(SN)
	5	10.0	15.0	455-1614-ND	1.55	12.91	51.62	B5B-EH-A(LF)(SN)
	6	12.5	17.5	455-1615-ND	1.86	15.50	61.98	B6B-EH-A(LF)(SN)
	7	15.0	20.0	455-1616-ND	2.11	17.60	70.38	B7B-EH-A(LF)(SN)
	8	17.5	22.5	455-1617-ND	2.39	19.94	79.77	B8B-EH-A(LF)(SN)
	9	20.0	25.0	455-1618-ND	2.66	22.17	88.66	B9B-EH-A(LF)(SN)
	10	22.5	27.5	455-1619-ND	3.10	25.81	103.23	B10B-EH-A(LF)(SN)
	11	25.0	30.0	455-1620-ND	3.42	28.46	113.84	B11B-EH-A(LF)(SN)
	12	27.5	32.5	455-1621-ND	3.56	29.64	118.55	B12B-EH-A(LF)(SN)
	13	30.0	35.0	455-1622-ND	4.22	35.13	140.52	B13B-EH-A(LF)(SN)
	14	32.5	37.5	455-1623-ND	4.56	38.03	152.12	B14B-EH-A(LF)(SN)
	15	35.0	40.0	455-1624-ND	4.82	40.13	160.52	B15B-EH-A(LF)(SN)

Fig.	Cir- cuts	Dimensions - mm		Digi-Key Part No.	Pricing			JST Part No.
		A	B		10	100	500	
<b>Side Entry Shrouded Board-Mount Headers (Use with EH and HR Series Female Housing)</b>								
3	7	15.0	20.0	455-1033-ND	2.26	18.82	75.26	S7B-EH
<b>Side Entry Shrouded Board-Mount Headers (Use with EH and HR Series Female Housing) — RoHS Compliant</b>								
3	2	2.5	7.5	455-1625-ND	.87	7.23	28.90	S2B-EH(LF)(SN)
	3	5.0	10.0	455-1626-ND	1.04	8.65	34.58	S3B-EH(LF)(SN)
	4	7.5	12.5	455-1627-ND	1.23	10.25	40.99	S4B-EH(LF)(SN)
	5	10.0	15.0	455-1628-ND	1.61	13.40	53.59	S5B-EH(LF)(SN)
	6	12.5	17.5	455-1629-ND	2.00	16.67	66.68	S6B-EH(LF)(SN)
	7	15.0	20.0	455-1630-ND	2.37	19.76	79.02	S7B-EH(LF)(SN)
	8	17.5	22.5	455-1631-ND	2.78	23.15	92.61	S8B-EH(LF)(SN)
	9	20.0	25.0	455-1632-ND	2.96	24.70	98.78	S9B-EH(LF)(SN)
	10	22.5	27.5	455-1633-ND	3.65	30.44	121.75	S10B-EH(LF)(SN)
	11	25.0	30.0	455-1634-ND	4.05	33.71	134.84	S11B-EH(LF)(SN)
	12	27.5	32.5	455-1635-ND	4.28	35.69	142.74	S12B-EH(LF)(SN)
	13	30.0	35.0	455-1636-ND	5.28	44.02	176.09	S13B-EH(LF)(SN)
	14	32.5	37.5	455-1637-ND	5.62	46.80	187.19	S14B-EH(LF)(SN)
	15	35.0	40.0	455-1638-ND	6.05	50.38	201.52	S15B-EH(LF)(SN)

Description	Digi-Key Part No.	Cut Tape Pricing		T&R Pricing*	JST Part No.
		100	500		
<b>Contact — RoHS Compliant</b>					
30 - 22 AWG	455-1042-1-ND	2.04	8.15	12.23/M	SEH-001T-P0.6
<b>Crimp Tool</b>					
30 - 22 AWG Contacts	455-1043-ND	454.14/1	—	—	WC-260

\* For Tape and Reel part number, change 1-ND to 2-ND.

## XH Series 2.5mm Connectors



The XH connector was developed based on the high reliability and versatility of the NH series connectors. The connector is very small with a mounting height of 9.8mm (.386").

**Specifications:** • Current Rating: 3A AC/DC (AWG #22) • Voltage Rating: 250V AC/DC • Temperature Range: -25°C ~ 85°C • Applicable Wire: 30 to 22 AWG • Applicable PC Board Thickness: 1.6mm (.063")

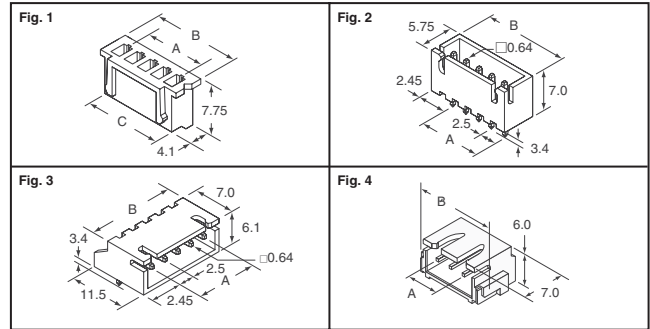


Fig.	Circuits	Dimension - mm			Digi-Key Part No.	Pricing			JST Part No.
		A	B	C		10	100	500	
<b>Housing</b>									
1	1	—	3.2	4.8	455-2220-ND	1.96	16.31	65.25	XHP-1
	2	2.5	5.7	7.3	455-2226-ND	.51	4.26	17.04	XHP-2
	3	5.0	8.2	9.8	455-2219-ND	.57	4.73	18.90	XHP-3
	4	7.5	10.7	12.3	455-2267-ND	.57	4.73	18.90	XHP-4
	5	10.0	13.2	14.8	455-2268-ND	.63	5.28	21.12	XHP-5
	6	12.5	15.7	17.3	455-2218-ND	.74	6.21	24.82	XHP-6
	7	15.0	18.2	19.8	455-2269-ND	.78	6.49	25.94	XHP-7
	9	20.0	23.2	24.8	455-2217-ND	1.20	10.00	40.01	XHP-9
	10	22.5	25.7	27.3	455-2210-ND	1.21	10.09	40.37	XHP-10
	11	25.0	28.2	29.8	455-2216-ND	1.58	13.15	52.61	XHP-11
	12	27.5	30.7	32.3	455-2215-ND	1.67	13.89	55.57	XHP-12
13	30.0	33.2	34.8	455-2214-ND	1.91	15.93	63.71	XHP-13	
14	32.5	35.7	37.3	455-2213-ND	2.47	20.56	82.24	XHP-14	
15	35.0	38.2	39.8	455-2212-ND	2.52	21.02	84.08	XHP-15	
16	37.5	40.7	42.3	455-2209-ND	4.37	36.40	145.58	XHP-16	
20	47.5	50.7	52.3	455-2211-ND	5.98	49.83	199.30	XHP-20	
<b>Headers</b>									
<b>Top Entry (Shrouded)</b>									
2	2	2.5	7.4	—	455-2247-ND	.78	6.49	25.94	B2B-XH-A(LF)(SN)
	3	5.0	9.9	—	455-2248-ND	1.00	8.34	33.34	B3B-XH-A(LF)(SN)
	4	7.5	12.4	—	455-2249-ND	1.35	11.24	44.95	B4B-XH-A(LF)(SN)
	5	10.0	14.9	—	455-2270-ND	1.64	13.71	54.83	B5B-XH-A(LF)(SN)
	6	12.5	17.4	—	455-2271-ND	1.92	15.99	63.97	B6B-XH-A(LF)(SN)
	7	15.0	19.9	—	455-2252-ND	2.29	19.08	76.31	B7B-XH-A(LF)(SN)
	8	17.5	22.4	—	455-2251-ND	2.53	21.12	84.46	B8B-XH-A(LF)(SN)
	9	20.0	24.9	—	455-2244-ND	2.84	23.65	94.58	B9B-XH-A(LF)(SN)
	10	22.5	27.4	—	455-2253-ND	3.30	27.54	110.15	B10B-XH-A(LF)(SN)
	11	25.0	29.9	—	455-2255-ND	3.49	29.08	116.32	B11B-XH-A(LF)(SN)
	12	27.5	32.4	—	455-2259-ND	4.03	33.59	134.35	B12B-XH-A(LF)(SN)
	13	30.0	34.9	—	455-2260-ND	4.29	35.75	143.00	B13B-XH-A(LF)(SN)
	14	32.5	37.4	—	455-2258-ND	4.64	38.65	154.59	B14B-XH-A(LF)(SN)
	15	35.0	39.9	—	455-2254-ND	4.99	41.62	166.46	B15B-XH-A(LF)(SN)
	16	37.5	42.4	—	455-2241-ND	5.27	43.96	175.83	B16B-XH-A(LF)(SN)
	<b>Top Entry (Shrouded) With Boss</b>								
2	1	—	4.9	—	455-2227-ND	1.73	14.41	57.62	B1B-XH-AM(LF)(SN)
	2	2.5	7.4	—	455-2273-ND	.87	7.23	28.90	B2B-XH-AM(LF)(SN)
	3	5.0	9.9	—	455-2231-ND	1.11	9.26	37.04	B3B-XH-AM(LF)(SN)
	4	7.5	12.4	—	455-2237-ND	1.44	12.04		