

JST SH and SR Series 1.0mm Connectors (Cont.)



Fig.	Cir-cuits	Dim. - mm A B	Digi-Key Part No.	Cut Tape Pricing			Tape and Reel†		JST Part No.	
				10	100	500	Qty.	Pricing		
5	15	14.0 17.0	455-1815-1-ND	11.09	92.45	369.80	3,000	613.87/M	SM15B-SRSS-TB(LF)(SN)	
			455-1816-1-ND	13.83	115.24	460.94	3,000	765.16/M	SM20B-SRSS-TB(LF)(SN)	
Contacts - Tin Plated										
32 - 28 AWG				455-1561-1-ND	4.63/100	23.000	24.64/M	SSH-003T-P0.2		
32 - 28 AWG				455-1912-1-ND	2.10	17.53	70.10	1,000	116.37	MINI-SSH-003T-P0.2
Crimp Tool										
32 - 28 AWG				455-1376-ND	1016.24/1	—	—	—	WC-SH2832	

† For Tape and Reel part number, change 1-ND to 2-ND.

SHD Series 1.0mm Connectors



Features: • Ultra compact double row design • Low Profile with a mounting height of 6.3mm (.248") for top entry type and 5.5mm (.217") for side entry type, and a width of 5.0mm (.197") for top entry type and 5.1mm (.201") for side entry type • Reliable Contact: The same contact can be used for the single row SH connectors • Anti-Misinsertion Feature: Ribs and grooves on the header and receptacle prevent misinsertion and distortion during mating and unmating.
Specifications: • Current Rating: 1.0A AC/DC • Voltage Rating: 50V AC/DC • Temperature Range: -25°C - 85°C • Applicable Wire: 32 - 28 AWG • Color: Natural (White)

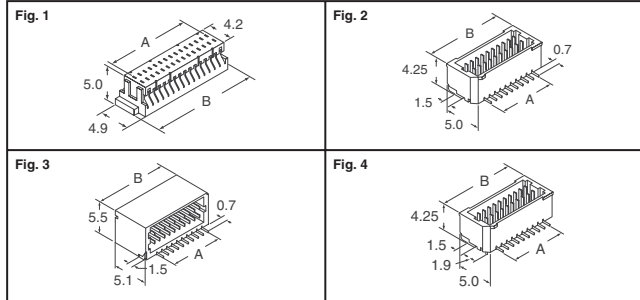


Fig.	Cir-cuits	Dim. - mm A B	Digi-Key Part No.	Cut Tape Pricing			Tape and Reel†		JST Part No.	
				10	100	500	Qty.	Pricing		
Housing										
1	20	9.0 13.0	455-1436-ND‡	1.53	12.71	50.85	—	—	SHDR-20V-S-B	
			455-1437-ND‡	2.15	17.96	71.82	—	—	SHDR-30V-S-B	
			455-1438-ND‡	2.18	18.18	72.73	—	—	SHDR-40V-S-B	
			455-1439-ND‡	2.26	18.81	75.23	—	—	SHDR-50V-S-B	
			455-1439-ND‡	2.26	18.81	75.23	—	—	SHDR-50V-S-B	
Shrouded Header										
Top Entry Type										
2	20	9.0 12.3	455-1862-1-ND	16.21	135.08	540.31	1,500	896.92/M	BM20B-SRDS-G-TF(LF)(SN)	
			455-1863-1-ND	21.17	176.45	705.79	1,500	1171.62/M	BM30B-SRDS-G-TF(LF)(SN)	
			455-1864-1-ND	26.60	221.64	886.57	1,500	1471.71/M	BM40B-SRDS-G-TF(LF)(SN)	
			455-1865-1-ND	32.02	266.84	1067.35	1,500	1771.80/M	BM50B-SRDS-G-TF(LF)(SN)	
Side Entry Type										
3	20	9.0 13.1	455-1866-1-ND	17.80	148.33	593.31	1,250	984.90/M	SM20B-SRDS-G-TF(LF)(SN)	
			455-1867-1-ND	20.26	168.82	675.29	1,250	1120.99/M	SM30B-SRDS-G-TF(LF)(SN)	
			455-1868-1-ND	25.67	213.94	855.74	1,250	1420.53/M	SM40B-SRDS-G-TF(LF)(SN)	
			455-1869-1-ND	30.19	251.62	1006.48	1,250	1670.76/M	SM50B-SRDS-G-TF(LF)(SN)	
Top Entry Type with a Boss										
4	20	9.0 12.3	455-1870-1-ND	16.21	135.11	540.42	1,250	897.10/M	BM20B-SRDS-A-G-TF(LF)(SN)	
			455-1871-1-ND	21.18	176.47	705.89	1,250	1171.78/M	BM30B-SRDS-A-G-TF(LF)(SN)	
			455-1872-1-ND	26.60	221.67	886.67	1,250	1471.88/M	BM40B-SRDS-A-G-TF(LF)(SN)	
			455-1873-1-ND	32.02	266.86	1067.45	1,250	1771.97/M	BM50B-SRDS-A-G-TF(LF)(SN)	
Contact - Gold Plated										
32 - 28 AWG				455-1435-1-ND	.72	6.02	24.08	23,000	32.03/M	SSH-003GA-P0.2
Crimp Tool										
32 - 28 AWG				455-1376-ND	1016.24/1	—	—	—	WC-SH2832	

† For Tape and Reel part number, change 1-ND to 2-ND. ‡ Bulk

ACH Series 1.20mm Connectors



Features: • Disconnectable crimp style • Compact, Low Profile with height of 1.4mm (.055"), width of 4.3mm (.169"), and 1.2mm (.047") pitch wire-to-board connector • Top entry, side feed **Specifications:** • Current Rating: 2A AC/DC (28 AWG) • Voltage Rating: 50V AC/DC • Temperature Range: -25°C - 85°C • Applicable Wire: 30 - 28 AWG

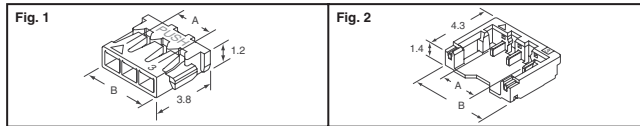


Fig.	Cir-cuits	Dim. - mm A B	Digi-Key Part No.	Cut Tape Pricing			Tape and Reel†		JST Part No.
				10	100	500	Qty.	Pricing	
Housing									
1	2	1.2 2.6	455-2197-ND‡	.82	6.86	27.43	—	—	ACHR-02V-S
			455-2200-ND‡	1.28	10.67	42.67	—	—	ACHTP-02V-S
			455-2201-ND‡	1.20	10.00	39.98	—	—	ACHTR-02V-S
			455-2198-ND‡	.84	7.04	28.16	—	—	ACHR-03V-S
2	4	3.6 5.0	455-2199-ND‡	.92	7.66	30.65	—	—	ACHR-04V-A-S
			455-2199-ND‡	.92	7.66	30.65	—	—	ACHR-04V-A-S
Shrouded Header									
Top Entry - Side Feed Type									
2	2	1.2 2.6	455-2202-1-ND	4.33	36.08	144.30	4,500	239.54/M	BM02B-ACHSS-GAN-TF(LF)(SN)

Digi-Reel® Most SMT cutdown parts are available on a Digi-Reel®. For Digi-Reel part number, change 1-ND to 6-ND or CT-ND to DKR-ND. See Digi-Key® Services on page 2 for additional information.

All prices are in U.S. dollars (www.digikey.com). — Toll-Free: 00801-85-4023

122 (TW092-10) Fax: (852) 3104 0686 — Taiwan dollar available by credit card at www.digikey.tw.

Fig.	Cir-cuits	Dim. - mm A B	Digi-Key Part No.	Cut Tape Pricing			Tape and Reel†		JST Part No.	
				10	100	500	Qty.	Pricing		
2	3	2.4 3.8	455-2203-1-ND	5.05	42.12	168.48	4,500	279.68/M	BM03B-ACHSS-GAN-TF(LF)(SN)	
			455-2204-1-ND	6.07	50.60	202.39	4,500	335.97/M	BM04B-ACHSS-A-GAN-TF(LF)(SN)	
Contacts - Gold Plated										
30 - 28 AWG				455-2195-1-ND	.63	5.23	20.91	30,000	27.82/M	SACH-003G-P0.2
30 - 28 AWG				455-2196-1-ND	.57	4.73	18.92	30,000	25.17/M	SACHP-003G-P0.2
30 - 28 AWG				455-2206-2-ND▲	—	—	—	1,000	215.32	MINI-SACH-003G-P0.2
30 - 28 AWG				455-2207-2-ND▲	—	—	—	1,000	215.32	MINI-SACHP-003G-P0.2
Crimp Tools										
30 - 28 AWG				455-2205-ND	1039.82/1	—	—	—	YRS-1190	
Mini ACH Reel				455-2208-ND	1560.87/1	—	—	—	WC-ACH2830	

† For Tape and Reel part number, change 1-ND to 2-ND. ‡ Bulk ▲ Tape and Reel (not available in Cut Tape)

GH Series 1.25mm Connectors



Developed for plasma display panels, LCD monitors, notebook PCs, PDAs, mobile phones and other small electronic equipment.

Features: The innovative housing lock design achieves a locking device which is easy to handle as well as secure. The header is fully shrouded and this protects the receptacle from damage that could be caused by mating the connector at an angle.

Specifications: • Current Rating: 1.0A AC/DC (26 AWG) • Voltage Rating: 50V AC/DC • Temperature Range: -25°C - 85°C • Applicable Wire: Conductor Size 30 - 26 AWG

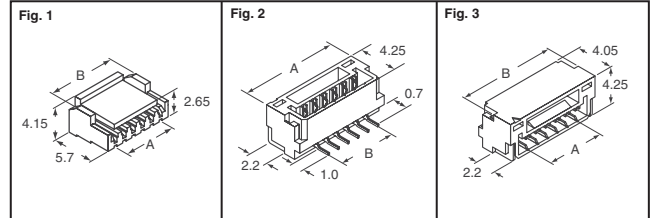


Fig.	Cir-cuits	Dimensions - mm A B	Digi-Key Part No.	Pricing			JST Part No.
				10	100	500	
Housing							
2	3	1.25 3.75	455-1592-ND	.65	5.45	21.78	GHR-02V-S
			455-1593-ND	.69	5.74	22.97	GHR-03V-S
			455-1594-ND	.73	6.05	24.18	GHR-04V-S
			455-1595-ND	1.17	9.74	38.94	GHR-05V-S
			455-1596-ND	1.19	9.92	39.67	GHR-06V-S
			455-1597-ND	1.22	10.16	40.62	GHR-07V-S
1	7	8.75	455-1598-ND	1.23	10.25	41.00	GHR-08V-S
			455-1599-ND	1.23	10.29	41.16	GHR-09V-S
			455-1600-ND	1.25	10.40	41.59	GHR-10V-S
			455-1601-ND	1.28	10.70	42.80	GHR-11V-S
			455-1602-ND	1.31	10.88	43.52	GHR-12V-S
13	15	17.50	455-1603-ND	1.34	11.13	44.50	GHR-13V-S
			455-1604-ND	1.36	11.31	45.22	GHR-14V-S
			455-1605-ND	1.39	11.55	46.18	GHR-15V-S
			455-1605-ND	1.39	11.55	46.18	GHR-15V-S

Fig.	Cir-cuits	Dim. - mm A B	Digi-Key Part No.	Cut Tape Pricing			Tape and Reel†		JST Part No.			
				10	100	500	Qty.	Pricing				
Headers												
Top Entry												
2	3	1.25 5.75	455-1578-1-ND	2.68	22.31	89.25	2,500	148.16/M	BM02B-GHS-TBT(LF)(SN)			
			455-1579-1-ND	2.89	24.06	96.23	2,500	159.74/M	BM03B-GHS-TBT(LF)(SN)			
			455-1580-1-ND	3.08	25.69	102.76	2,500	170.58/M	BM04B-GHS-TBT(LF)(SN)			
			455-1581-1-ND	3.23	26.90	107.59	2,500	178.60/M	BM05B-GHS-TBT(LF)(SN)			
			455-1582-1-ND	3.92	32.65	130.59	2,500	216.78/M	BM06B-GHS-TBT(LF)(SN)			
7	7.50	12.00	455-1583-1-ND	4.10	34.16	136.63	2,500	226.81/M	BM07B-GHS-TBT(LF)(SN)			
			455-1584-1-ND	4.24	35.37	141.46	2,500	234.83/M	BM08B-GHS-TBT(LF)(SN)			
			455-1585-1-ND	4.43	36.94	147.76	2,500	245.28/M	BM09B-GHS-TBT(LF)(SN)			
			455-1586-1-ND	4.72	39.30	157.20	2,500	260.96/M	BM10B-GHS-TBT(LF)(SN)			
			455-1587-1-ND	5.10	42.50	169.98	2,500	282.17/M	BM11B-GHS-TBT(LF)(SN)			
			455-1588-1-ND	5.13	42.74	170.96	2,500	283.80/M	BM12B-GHS-TBT(LF)(SN)			
			455-1589-1-ND	5.48	45.64	182.57	2,500	303.07/M	BM13B-GHS-TBT(LF)(SN)			
			455-1590-1-ND	5.48	45.70	182.81	2,500	303.47/M	BM14B-GHS-TBT(LF)(SN)			
			455-1591-1-ND	5.67	47.28	189.11	2,500	313.93/M	BM15B-GHS-TBT(LF)(SN)			
			Side Entry									
			2	3	1.25 5.75	455-1564-1-ND	2.81	23.40	93.58	2,500	155.35/M	SM02B-GHS-TB(LF)(SN)
455-1565-1-ND	2.98	24.85				99.38	2,500	164.98/M	SM03B-GHS-TB(LF)(SN)			
455-1566-1-ND	3.16	26.36				105.42	2,500	175.00/M	SM04B-GHS-TB(LF)(SN)			
455-1567-1-ND	3.33	27.74				110.97	2,500	184.22/M	SM05B-GHS-TB(LF)(SN)			
455-1568-1-ND	4.07	33.91				135.65	2,500	225.18/M	SM06B-GHS-TB(LF)(SN)			
455-1569-1-ND	4.23	35.25				140.98	2,500	234.03/M	SM07B-GHS-TB(LF)(SN)			
455-1570-1-ND	4.53	37.79				151.14	2,500	250.90/M	SM08B-GHS-TB(LF)(SN)			
455-1571-1-ND	4.83	40.26				161.03	2,500	267.31/M	SM09B-GHS-TB(LF)(SN)			
455-1572-1-ND	4.99	41.59				166.36	2,500	276.16/M	SM10B-GHS-TB(LF)(SN)			
455-1573-1-ND	5.21	43.41				173.62	2,500	288.21/M	SM11B-GHS-TB(LF)(SN)			
455-1574-1-ND	5.40	45.04				180.15	2,500	299.05/M	SM12B-GHS-TB(LF)(SN)			
455-1575-1-ND	5.57	46.43				185.70	2,500	308.27/M	SM13B-GHS-TB(LF)(SN)			
455-1576-1-ND	5.73	47.76				191.04	2,500	317.13/M	SM14B-GHS-TB(LF)(SN)			
455-1577-1-ND	5.90	49.15				196.59	2,500	326.34/M	SM15B-GHS-TB(LF)(SN)			
Contacts - Tin Plated												
30 - 26 AWG				455-1606-2-ND‡	—	—	23,000	24.64/M	MINI-002T-P0.2			
30 - 26 AWG				455-1607-1-ND	2.20	18.31	73.22	1,000	146.44	SSHL-SSHL-002T-P0.2		
Crimp Tools												
30 - 26 AWG				455-1609-ND	1039.82/1	—	—	—	YRS-1140			
Mini Reel				455-1608-ND	1489.95/1	—	—	—	WC-GH2630			

† For Tape and Reel part number, change 1-ND to 2-ND. ‡ Tape and Reel (not available in Cut Tape)