

3M Mini D Ribbon (MDR) Connectors (Cont.)

Fig.	Color	No. of Pos.	Dim. A In. (mm)	Digi-Key Part No.	1	10	100	250	3M Part No.
12	—	68	2.37 (60.1)	3M1756-ND	13.52	11.38	10.27	9.75	10368-A200-00
		100	3.16 (80.2)	3M1757-ND	15.08	12.69	11.46	10.88	103A0-A200-00
		14	1.02 (25.8)	3M1758-ND	9.94	8.37	7.56	7.17	10314-A500-00
13	—	26	1.32 (33.5)	3M1759-ND	11.59	9.75	8.81	8.36	10326-A500-00
		36	1.57 (39.8)	3M1760-ND	11.79	9.93	8.96	8.51	10336-A500-00
		40	1.67 (42.4)	3M1761-ND	14.04	11.82	10.67	10.13	10340-A500-00
		50	1.92 (48.7)	3M1762-ND	13.10	11.03	9.96	9.45	10350-A500-00
		68	2.37 (60.1)	3M1763-ND	14.00	11.78	10.64	10.10	10368-A500-00
		MDR Cable Assemblies — RoHS Compliant							
14	Beige	26	.5 meters	MCA106-5-ND	54.03	47.28	44.92	42.22	14526-EZ58-050-02C
		26	1 meter	MCA107-1-ND	60.22	52.70	50.07	47.05	14526-EZ58-100-02C
		26	2 meters	MCA108-2-ND	72.61	63.54	60.36	56.73	14526-EZ58-200-02C
		26	3 meters	MCA109-3-ND	84.99	74.37	70.65	66.40	14526-EZ58-300-02C
		36	1 meter	MCA116-1-ND	71.41	62.49	59.36	55.79	14T36-SZ68-100-0HC
		36	2 meters	MCA117-2-ND	81.63	71.43	67.86	63.78	14T36-SZ68-200-0HC
		36	5 meters	MCA118-5-ND	116.99	102.37	97.25	91.40	14T36-SZ68-500-0HC
		50	1 meter	MCA110-1-ND	103.71	90.75	86.22	81.03	14T50-SZWB-100-0NC
		50	2 meters	MCA111-2-ND	120.74	105.65	100.37	94.33	14T50-SZWB-200-0NC
		50	5 meters	MCA112-5-ND	177.62	155.42	147.65	138.77	14T50-SZWB-500-0NC
		50	1 meter	MCA113-1-ND	106.10	92.84	88.20	82.89	14B50-SZWB-100-0NC
		50	2 meters	MCA114-2-ND	124.43	108.88	103.44	97.22	14B50-SZWB-200-0NC
50	5 meters	MCA115-5-ND	180.59	158.02	150.12	141.09	14B50-SZWB-500-0NC		
NEW! Digital Camera Cable — RoHS Compliant NEW!									
15	Gray	26	2 meters	MCA124-2-ND	53.15	46.51	44.19	41.53	14B26-SZ38-200-03C
		26	5 meters	MCA125-5-ND	73.30	64.14	60.93	57.27	14B26-SZ38-500-03C
		26	10 meters	MCA126-10-ND	106.88	93.52	88.85	83.50	14B26-SZ38-A00-03C
NEW! High-Flex Digital Camera Cable — RoHS Compliant NEW!									
15	Black	26	2 meters	MCA131-2-ND	79.71	69.75	66.27	62.28	14B26-SZ38-200-04C
		26	5 meters	MCA130-5-ND	109.94	96.20	91.39	85.89	14B26-SZ38-500-04C
		26	10 meters	MCA129-10-ND	160.32	140.28	133.27	125.25	14B26-SZ38-A00-04C
NEW! High Speed Digital CameraLink™ Cable, Right Angle — RoHS Compliant NEW!									
16	Beige/Black	26	2 meters	MCA126-2-ND	116.91	102.30	97.19	91.34	14H26-SZLM-200-0LC
		26	5 meters	MCA125-5-ND	161.25	141.10	134.04	125.98	14H26-SZLM-500-0LC
NEW! Right Angle Digital Camera Cable — RoHS Compliant NEW!									
16	Gray/Black	26	2 meters	MCA128-2-ND	99.38	86.96	82.61	77.64	14H26-SZ3M-200-03C
		26	5 meters	MCA127-5-ND	137.06	119.93	113.93	107.08	14H26-SZ3M-500-03C
NEW! Right Angle, High-Flex Digital Camera Cable — RoHS Compliant NEW!									
16	Black	26	2 meters	MCA132-2-ND	122.77	107.43	102.06	95.92	14H26-SZ3M-200-04C
		26	5 meters	MCA132-5-ND	169.31	148.15	140.75	132.28	14H26-SZ3M-500-04C

◆ RoHS Compliant ‡ Over-molded 4-40 thumbscrew Δ Discrete 4-40 thumbscrew shell kit

Fig.	Description	Digi-Key Part No.	1	100	500	1,000	3M Part No.
Jack Sockets, .050" — RoHS Compliant							
17	M2.5/M2.5	MDVS10-ND	2.16	164.32	743.60	1352.00	3341-10BULK
	#4-40/#4-40	MDVS16-ND	2.27	172.22	779.35	1417.00	3341-16BULK
	#4-40/#4-40	MDVS17-ND	1.71	129.56	586.30	1086.00	3341-17KIT
	M2.5/#4-40	MDVS13-ND	1.50	113.76	514.80	936.00	3341-13BULK
	M2.5/M2	MDVS25-ND	3.00	227.52	1029.60	1872.00	3341-25
	M2.5/#4-40	MDVS31-ND	1.73	131.14	593.45	1079.00	3341-31BULK
M2.5/#4-40	MDVS32-ND	2.00	151.68	686.40	1248.00	3341-32BULK	

Fig.	Description	Digi-Key Part No.	10	100	500	1,000	3M Part No.
Screws (Steel with Zinc Plating), .050" — RoHS Compliant							
18	Board Lock Screw, M2.6 x 8mm	MDVT26-ND*	3.60	25.20	105.00	192.00	3344-26
	Board Lock Screw, M2.5 x 6.0mm	MDVT03-ND*	11.40	79.80	332.50	608.00	3344-3
	Panel Mount Screw, M2.5 x 8.0mm	MDVT38-ND*	3.60	25.20	105.00	192.00	3344-38
	Board Lock Screw, #4-40 x 1/4"	MDVT04-ND*	11.10	77.70	323.75	592.00	3344-4
	Panel Mount Screw, #4-40 x 3/8"	MDVT44-ND*	12.60	88.20	367.50	672.00	3344-44

* Quantity of one equals one pair.

Shielded Compact Ribbon (SCR) Connectors



Features: • Robust ribbon style contact for reliable repetitive plugging • 360° shielding for excellent EMI protection • 10 contacts can carry signal or power (up to 1A per pin) • Polarized to provide proper cable insertion • Vibration resistant **Specifications:** • Insulation Material: Glass-filled LCP or Glass-filled Nylon • Flammability: UL 94V-0 • Color: Black • Contact Material: Phosphor Bronze or Copper Alloy • Shroud Material: Steel • Current Rating: 1A • Voltage Rating: 150VAC/200VDC • Temperature Rating: -55°C – 85°C

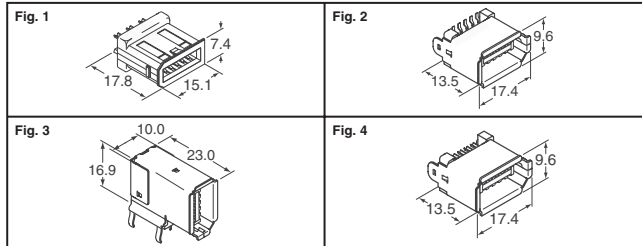


Fig.	Description	Digi Key Part No.	1	10	100	3M Part No.
1	Receptacle, Wiremount	3M6453-ND	3.64	3.07	2.77	36210-0100FD
1	Receptacle, Wiremount	3M6459-ND	3.74	3.15	2.85	36210-0100PL
2	Plug, SMT	3M6456-ND	6.78	5.71	5.16	36110-1110PL
3	Plug, Right Angle, Thru-Hole	3M6457-ND	5.84	4.92	4.44	36110-2220PE
4	Plug, Solder	3M6458-ND	5.49	4.62	4.18	36110-3000FD
Accessories						
—	Backshell for Receptacle	3M6454-ND	7.38	6.22	5.61	36310-3200-008
—	Backshell for Plug	3M6455-ND	8.22	6.92	6.25	36310-F200-008

SATA Connectors

Dimensions in mm

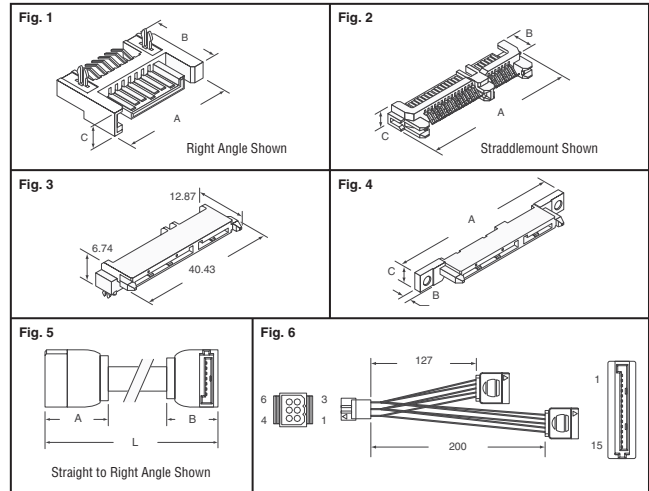


Fig.	Description	Dimensions — mm	No. of Pos.	Digi-Key Part No.	Price Each	3M Part No.
SATA Plugs						
1	R/A, SMT Gold Flash	17.46 11.50 4.00	7	3M5561-ND	.60 .45 .32	5607-4200-SH
	Vertical, PCB Gold Flash	16.78 8.40 5.70	7	3M5562-ND	.57 .43 .31	5607-5102-SH
2	Straddle mount 30µ"	45.77 7.25 5.73	22	3M5555-ND	2.16 1.62 1.16	5622-6309-ML
	R/A, Thru-Hole 30µ"	42.76 5.60 11.00	22	3M5556-ND	2.34 1.76 1.25	5622-4100-ML
SATA Receptacles						
3	R/A, SMT 30µ"	— — —	22	3M5560-ND	2.52 1.89 1.35	5622-1200-ML
	Vertical, SMT 30µ"	54.50 5.50 2.45	22	3M5557-ND	2.43 1.83 1.30	5622-2222-ML
	Vertical, PCB 30µ"	42.73 5.00 14.15	22	3M5558-ND	2.43 1.83 1.30	5622-2103-ML
4	Vertical, Pressfit, 30µ"	42.73 10.00 14.15	22	3M5559-ND	2.52 1.89 1.35	5622-2603-ML
	SATA Signal Cables					
5	R/A to R/A, L=1m	12.5 12.5 —	7	3M5564-ND	2.85 2.14 1.52	5602-11-0000-000
	R/A to R/A, L=0.5M	12.5 12.5 —	7	3M5565-ND	2.55 1.92 1.36	5602-11-0000-500
	STR to R/A, L=1M	15.5 12.5 —	7	3M5566-ND	2.85 2.14 1.52	5602-21-0000-000
	STR to R/A, L=0.5M	15.5 12.5 —	7	3M5567-ND	2.55 1.92 1.36	5602-21-0000-500
	STR to STR, L=1M	15.5 15.5 —	7	3M5568-ND	2.85 2.14 1.52	5602-22-0000-000
	STR to STR, L=0.5M	15.5 15.5 —	7	3M5743-ND	2.76 2.07 1.48	5602-22-0000-500
Power Cable						
6	"Y" Configuration	— — —	15	3M5563-ND	4.68 3.51 2.50	5601-22-127-200

§ With mounting flange

SDR Connectors and Cable Assemblies



Dimensions in Inches (mm)

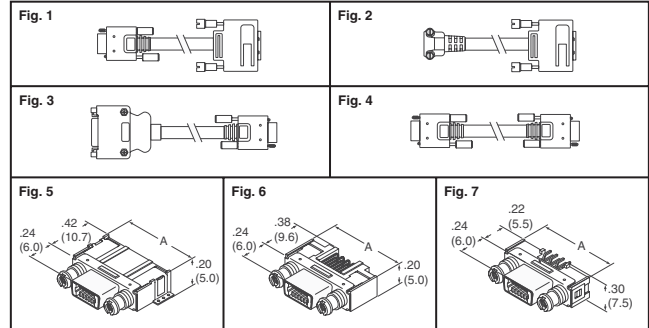


Fig.	Description	No. of Pos.	Dim. A In. (mm)	Digi-Key Part No.	Price Each	3M Part No.
1	MDR Recept. - SDR Plug	26	—	MCA100-5-ND	219.95 192.46 171.84	1MF26-L560-00C-500
2	R/A SDR Plug - MDR Plug	26	—	MCA101-2-ND	192.00 168.00 150.00	1MF26-L576-00C-200
	R/A MDR Plug - SDR Plug	26	—	MCA102-5-ND	249.36 218.19 194.82	1MF26-L586-00C-500
3	MDR Recept. - SDR Plug	26	—	MCA103-2-ND	197.60 172.90 154.38	1MG26-LF00-00C-200
4	SDR Plug - SDR Plug	26	—	MCA104-5-ND	324.37 283.83 253.42	1SF26-L120-00C-500
	R/A SDR Plug - SDR Plug	26	—	MCA105-2-ND	297.25 260.10 232.23	1SF26-L136-00C-200
5	Header - SMT, R/A	14	.79 (20)	MSDS14-ND	9.51 8.00 7.23	12214-8250-00FR
		26	.98 (24.8)	MSDS26-ND	10.50 8.84 7.98	12226-8250-00FR
6	Header - Thru-Hole, R/A	14	.79 (20)	MSDR14-ND	7.92 6.67 6.02	12214-5150-00FR
		26	.98 (24.8)	MSDR26-ND	8.92 7.51 6.78	12226-5150-00FR
		50	1.35 (34.4)	MSDR50-ND	11.88 10.00 9.03	12250-5150-00FR
7	Header - Thru-Hole, Vert.	14	.79 (20)	MSDV14-ND	7.53 6.34 5.72	12214-1150-00FR
		26	.98 (24.8)	MSDV26-ND	8.53 7.18 6.48	12226-1150-00FR

More Product Available Online: www.digkey.com

Toll-Free: 1-800-344-4539 • Phone 218-681-6674 • Fax: 218-681-3380