

Fig.	Description	Emitted Color	Lens	Peak Wavelength (nm)	Vf Typ. (V)	If Max. (mA)	Iv (mcd) @ 20mA	Viewing Angle (2x Theta)	Digi-Key Part No.	Cut Tape Pricing		Digi-Key Part No.	Tape & Reel		Kingbright Part No.	
										1	100		Qty.	Pricing		
1	3 x 2mm	Green	Water Clear	574	2.1	30	60	90°	754-1000-1-ND	.31	2.29	16.78	754-1000-2-ND	2,000	92.00/M	AA3202ACGGK
		HE Red	Water Clear	627	2.0	30	20	90°	754-1001-1-ND	.27	1.99	14.58	754-1001-2-ND	2,000	80.00/M	AA3202AEC
		Blue	Water Clear	468	3.2	30	60	90°	754-1002-1-ND	.59	4.39	32.18	754-1002-2-ND	2,000	176.00/M	AA3202APBC/A
		Super Orange	Water Clear	610	2.1	30	150	90°	754-1003-1-ND	.30	2.21	16.23	754-1003-2-ND	2,000	89.00/M	AA3202ASECK
		Super Green	Water Clear	565	2.2	25	30	90°	754-1004-1-ND	.27	1.99	14.58	754-1004-2-ND	2,000	80.00/M	AA3202ASEGC
		Super Red	Water Clear	660	1.85	30	120	90°	754-1005-1-ND	.28	2.06	15.13	754-1005-2-ND	2,000	83.00/M	AA3202ASRC
		Hyper Red	Water Clear	650	1.95	30	200	90°	754-1006-1-ND	.30	2.21	16.23	754-1006-2-ND	2,000	89.00/M	AA3202ASURCK
		Super Yellow	Water Clear	590	2.0	30	100	90°	754-1007-1-ND	.30	2.21	16.23	754-1007-2-ND	2,000	89.00/M	AA3202ASYCK
		Yellow	Water Clear	590	2.1	30	15	90°	754-1008-1-ND	.27	1.99	14.58	754-1008-2-ND	2,000	80.00/M	AA3202AYC
		2	4 x 4mm	Green	Water Clear	574	2.1	30	70	90°	754-1017-1-ND	.43	3.19	23.38	754-1017-2-ND	500
Blue	Water Clear			468	3.3	30	150	90°	754-1018-1-ND	.98	7.31	53.63	754-1018-2-ND	500	175.50	AA4040QB/C/D
Super Green	Water Clear			565	2.2	25	25	90°	754-1019-1-ND	.39	2.93	21.45	754-1019-2-ND	500	70.00	AA4040SGC
Super Red	Water Clear			660	1.85	30	120	90°	754-1020-1-ND	.39	2.93	21.45	754-1020-2-ND	500	70.00	AA4040SRC
Hyper Red	Water Clear			650	1.95	30	180	90°	754-1021-1-ND	.46	3.41	25.03	754-1021-2-ND	500	82.00	AA4040SURCK
Super Yellow	Water Clear			590	2.0	30	120	90°	754-1022-1-ND	.46	3.41	25.03	754-1022-2-ND	500	82.00	AA4040SYCK
3	3.5 x 2.8mm	Green	Water Clear	574	2.1	30	60	120°	754-1009-1-ND	.31	2.29	16.78	754-1009-2-ND	1,500	92.00/M	AA3528ACGGK
		HE Red	Water Clear	627	2.0	30	30	120°	754-1010-1-ND	.26	1.91	14.03	754-1010-2-ND	1,500	77.00/M	AA3528AEC
		Blue	Water Clear	468	3.2	30	60	120°	754-1011-1-ND	.59	4.39	32.18	754-1011-2-ND	1,500	176.00/M	AA3528APBC/A
		Pink	Water Clear	0.3/0.2	3.3	30	290	120°	754-1312-1-ND	1.43	10.01	78.65	754-1312-2-ND	1,500	429.00/M	AA3528APR2C/A
		Purple	Water Clear	0.2/0.1	3.3	30	160	120°	754-1313-1-ND	1.43	10.01	78.65	754-1313-2-ND	1,500	429.00/M	AA3528APR7C/A
		Super Green	Water Clear	565	2.2	25	25	120°	754-1012-1-ND	.26	1.91	14.03	754-1012-2-ND	1,500	77.00/M	AA3528ASEGC
		Super Red	Water Clear	660	1.85	30	150	120°	754-1013-1-ND	.26	1.91	14.03	754-1013-2-ND	1,500	77.00/M	AA3528ASRC
		Hyper Red	Water Clear	650	1.95	30	200	120°	754-1014-1-ND	.30	2.21	16.23	754-1014-2-ND	1,500	89.00/M	AA3528ASURCK
		Super Yellow	Water Clear	590	2.0	30	150	120°	754-1015-1-ND	.30	2.21	16.23	754-1015-2-ND	1,500	89.00/M	AA3528ASYCK
		Yellow	Water Clear	590	2.1	30	15	120°	754-1016-1-ND	.26	1.91	14.03	754-1016-2-ND	1,500	77.00/M	AA3528AYC
4	1.6 x 0.6mm	Green	Water Clear	574	2.1	30	60	110°	754-1051-1-ND	.26	1.95	14.30	754-1051-2-ND	2,000	78.00/M	APAI606GGCK
		Blue	Water Clear	468	3.2	30	60	110°	754-1052-1-ND	.56	4.16	30.53	754-1052-2-ND	2,000	167.00/M	APAI606PBC/A
		Super Orange	Water Clear	610	2.1	30	250	110°	754-1053-1-ND	.24	1.76	12.93	754-1053-2-ND	2,000	71.00/M	APAI606SECK
		Hyper Red	Water Clear	650	1.95	30	250	110°	754-1054-1-ND	.24	1.76	12.93	754-1054-2-ND	2,000	71.00/M	APAI606SURCK
		Super Yellow	Water Clear	590	2.0	30	150	110°	754-1055-1-ND	.24	1.76	12.93	754-1055-2-ND	2,000	71.00/M	APAI606SYCK
		Yellow	Water Clear	515	3.3	25	250	110°	754-1056-1-ND	.78	5.85	42.90	754-1056-2-ND	2,000	234.00/M	APAI606ZGC
5	2.1 x 0.6mm	Green	Water Clear	574	2.1	30	60	120°	754-1057-1-ND	.26	1.95	14.30	754-1057-2-ND	2,000	78.00/M	APAI606GGCK
		Blue	Water Clear	468	3.2	30	60	120°	754-1058-1-ND	.56	4.16	30.53	754-1058-2-ND	2,000	167.00/M	APAI606PBC/A
		Super Orange	Water Clear	610	2.1	30	250	120°	754-1059-1-ND	.24	1.76	12.93	754-1059-2-ND	2,000	71.00/M	APAI606SECK
		Hyper Red	Water Clear	650	1.95	30	250	120°	754-1060-1-ND	.24	1.76	12.93	754-1060-2-ND	2,000	71.00/M	APAI606SURCK
		Super Yellow	Water Clear	590	2.0	30	150	120°	754-1061-1-ND	.24	1.76	12.93	754-1061-2-ND	2,000	71.00/M	APAI606SYCK
		Yellow	Water Clear	515	3.3	25	250	120°	754-1062-1-ND	.78	5.85	42.90	754-1062-2-ND	2,000	234.00/M	APAI606ZGC
6	3.0 x 1.0mm	Green	Water Clear	574	2.1	30	60	120°	754-1063-1-ND	.33	2.44	17.88	754-1063-2-ND	2,000	98.00/M	APAS010GGCK
		HE Red	Water Clear	627	2.0	30	15	120°	754-1064-1-ND	.23	1.73	12.65	754-1064-2-ND	2,000	69.00/M	APAS010ECC
		Mega Green	Water Clear	574	2.1	30	80	120°	754-1065-1-ND	.59	4.39	32.18	754-1065-2-ND	2,000	176.00/M	APAS010MGC
		Blue	Water Clear	468	3.2	30	60	120°	754-1066-1-ND	.56	4.16	30.53	754-1066-2-ND	2,000	167.00/M	APAS010PBC/A
		Super Orange	Water Clear	610	2.1	30	250	120°	754-1068-1-ND	.24	1.76	12.93	754-1068-2-ND	2,000	71.00/M	APAS010SECK
		Super Green	Water Clear	565	2.2	25	15	120°	754-1071-1-ND	.23	1.73	12.65	754-1071-2-ND	2,000	69.00/M	APAS010SGC
7	3.2 x 2.4mm	HE Red/Green	Water Clear	627/565	2/2.2	30/25	60/40	20°	754-1076-1-ND	.36	2.70	19.80	754-1076-2-ND	1,500	108.00/M	APBD3224SEGC-F01
		Yellow/Green	Water Clear	590/574	2/2.1	30/30	500/300	20°	754-1077-1-ND	.39	2.93	21.45	754-1077-2-ND	1,500	117.00/M	APBD3224SYCKGK-F01
		HE Red/Green	Water Clear	627/565	2/2.2	30/25	20/20	100°	754-1078-1-ND	.36	2.70	19.80	754-1078-2-ND	2,000	108.00/M	APBL3025SEGC-F01
		HE Red/Yellow	Water Clear	627/590	2/2.1	30/30	20/15	100°	754-1079-1-ND	.36	2.70	19.80	754-1079-2-ND	2,000	108.00/M	APBL3025EYCF01
		Yellow/Green	Water Clear	590/565	2.1/2.2	30/25	15/20	100°	754-1080-1-ND	.36	2.70	19.80	754-1080-2-ND	2,000	108.00/M	APBL3025SYSGK-F01
		Green	Water Clear	574	2.1	30	550	20°	754-1081-1-ND	.30	2.21	16.23	754-1081-2-ND	1,500	89.00/M	APD3224CGCK-F01
		HE Red	Water Clear	627	2.0	30	70	20°	754-1082-1-ND	.22	1.61	11.83	754-1082-2-ND	1,500	65.00/M	APD3224ECC-F01
		Blue	Water Clear	468	3.2	30	380	20°	754-1083-1-ND	.62	4.65	34.10	754-1083-2-ND	1,500	186.00/M	APD3224PBC/A-F01
		Super Orange	Water Clear	610	2.1	30	1300	20°	754-1084-1-ND	.27	1.99	14.58	754-1084-2-ND	1,500	80.00/M	APD3224SECK-F01
		Super Green	Water Clear	565	2.2	25	70	20°	754-1085-1-ND	.22	1.61	11.83	754-1085-2-ND	1,500	65.00/M	APD3224SGC-F01
9	3.2 x 2.4mm	Hyper Red	Water Clear	650	1.95	30	1000	20°	754-1086-1-ND	.27	1.99	14.58	754-1086-2-ND	1,500	80.00/M	APD3224SURCK-F01
		Super Yellow	Water Clear	590	2.0	30	600	20°	754-1087-1-ND	.27	1.99	14.58	754-1087-2-ND	1,500	80.00/M	APD3224SYCK-F01
		Yellow	Water Clear	590	2.1	30	40	20°	754-1088-1-ND	.22	1.61	11.83	754-1088-2-ND	1,500	65.00/M	APD3224YCF01
		Green	Water Clear	515	3.3	25	2400	20°	754-1089-1-ND	.78	5.85	42.90	754-1089-2-ND	1,500	234.00/M	APD3224ZGC-F01
		Red/Green/Blue	Water Clear	650/520/468	1.95/3.2/3.2	30/30/30	150/150/60	120°	754-1090-1-ND	3.12	23.40	171.60	754-1090-2-ND	1,000	936.00	APF3236SURKVGAPBA
		Green/Yellow	Water Clear	574/590	2.1/2	30/30	80/150	120°	754-1091-1-ND	.39	2.93	21.45	754-1091-2-ND	2,000	117.00/M	APHBM2012CGKSYCK
11	2.0 x 1.25mm	Blue/Red	Water Clear	468/650	3.2/1.95	30/30	50/200	120°	754-1092-1-ND	1.04	7.80	57.20	754-1092-2-ND	2,000	312.00/M	APHBM2012PBASURCK
		Red/Green	Water Clear	650/574	1.95/2.1	30/30	200/80	120°	754-1093-1-ND	.39	2.93	21.45	754-1093-2-ND	2,000	117.00/M	APHBM2012SURKCGCK
		Green	Water Clear	574	2.1	30	40	110°	754-1094-1-ND	.20	1.46	10.73	754-1094-2-ND	2,000	59.00/M	APHCM2012CGCK-F01
12	2.0 x 1.25mm	Blue	Water Clear	468	3.2	30	60	110°	754-1095-1-ND	.56	4.16	30.53	754-1095-2-ND	2,000	167.00/M	APHCM2012PBC/A-F01
		Super Orange	Water Clear	610	2.1	30	160	110°	754-1096-1-ND	.18	1.31	9.63	754-1096-2-ND	2,000	53.00/M	APHCM2012SECK-F01
		Hyper Red	Water Clear	650	1.95	30	150	110°	754-1097-1-ND	.18	1.31	9.63	754-1097-2-ND	2,000	53.00/M	APHCM2012SURCK-F01
		Yellow	Water Clear	515	3.3	25	2400	20°	754-1089-1-ND	.78	5.85	42.90	754-1089-2-ND	1,500	234.00/M	APD3224ZGC-F01

§ Chromaticity Coordinates ‡ Iv (mcd) @ 10mA ▼ Iv (mcd) @ 30mA ◊ Iv (mcd) @ 120mA ▲ Iv (mcd) @ 150mA ★ Iv (mcd) @ 250mA † Iv (cd) @ 350mA
 †† Iv (cd) @ 500mA Δ Iv (cd) @ 700mA • Bulk

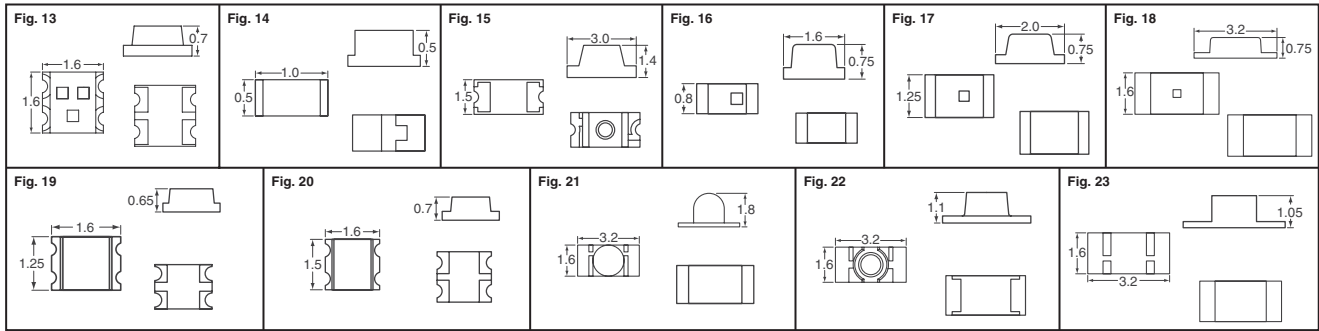


Fig.	Description	Emitted Color	Lens	Peak Wavelength (nm)	Vf Typ. (V)	If Max. (mA)	Iv (mcd) @ 20mA	Viewing Angle (2x Theta)	Digi-Key Part No.	Cut Tape Pricing			Digi-Key Part No.	Tape & Reel		Kingbright Part No.
										1	100	1000		Qty.	Pricing	
12	2.0 x 1.25mm	Super Yellow Green	Water Clear Water Clear	590 515	2.0 3.3	30 25	120 300	110° 110°	754-1098-1-ND 754-1099-1-ND	.18 .72	1.31 5.36	9.63 39.33	754-1098-2-ND 754-1099-2-ND	2,000 2,000	53.00/M 215.00/M	APHCM2012SYCK-F01 APHCM2012ZGC-F01
13	1.6 x 1.6mm	Blue/Red/Green	Water Clear	630/520/468	2.0/3.2/3.2	30/30/30	400/180/40	120°	754-1318-1-ND	3.58	25.03	196.63	754-1318-2-ND	2,000	1073.00/M	APTF1616SEVGA/PBAC
14	1.0 x 0.5mm	Green	Water Clear	574	2.1	30	40	120°	754-1101-1-ND	.24	1.76	12.93	754-1101-2-ND	2,000	71.00/M	APPHS1005CGGK
		Blue	Water Clear	468	3.2	30	60	120°	754-1102-1-ND	.56	4.16	30.53	754-1102-2-ND	2,000	167.00/M	APPHS1005PBC/A
		Super Orange	Water Clear	610	2.1	30	160	120°	754-1103-1-ND	.30	2.21	16.23	754-1103-2-ND	2,000	89.00/M	APPHS1005SECK
		Hyper Red	Water Clear	650	1.95	30	150	120°	754-1104-1-ND	.30	2.21	16.23	754-1104-2-ND	2,000	89.00/M	APPHS1005SURCK
		Super Yellow	Water Clear	590	2.0	30	120	120°	754-1105-1-ND	.26	1.95	14.30	754-1105-2-ND	2,000	78.00/M	APPHS1005SYCK
15	3.0 x 1.5mm	Green	Water Clear	574	2.1	30	90	70°	754-1106-1-ND	.22	1.61	11.83	754-1106-2-ND	2,000	65.00/M	APL30150GCGK-F01
		HE Red	Water Clear	627	2.0	30	20	70°	754-1107-1-ND	.17	1.24	9.08	754-1107-2-ND	2,000	50.00/M	APL3015EC-F01
		Mega Green	Water Clear	574	2.1	30	140	70°	754-1108-1-ND	.52	3.90	28.60	754-1108-2-ND	2,000	156.00/M	APL3015MGC-F01
		Blue	Water Clear	468	3.2	30	120	70°	754-1109-1-ND	.52	3.90	28.60	754-1109-2-ND	2,000	156.00/M	APL3015PBC/A-F01
		Super Orange	Water Clear	610	2.1	30	300	70°	754-1110-1-ND	.18	1.31	9.63	754-1110-2-ND	2,000	53.00/M	APL3015SECK-F01
		Super Green	Water Clear	565	2.2	25	20	70°	754-1111-1-ND	.15	1.13	8.25	754-1111-2-ND	2,000	45.00/M	APL3015SGC-F01
		Super Red	Water Clear	660	1.85	30	150	70°	754-1112-1-ND	.18	1.31	9.63	754-1112-2-ND	2,000	53.00/M	APL3015SRCPRV-F01
		Hyper Red	Water Clear	650	1.95	30	240	70°	754-1113-1-ND	.18	1.31	9.63	754-1113-2-ND	2,000	53.00/M	APL3015SURCK-F01
		Super Yellow	Water Clear	590	2.0	30	150	70°	754-1114-1-ND	.18	1.31	9.63	754-1114-2-ND	2,000	53.00/M	APL3015SYCK-F01
		Green	Water Clear	515	3.3	25	850	70°	754-1115-1-ND	.72	5.36	39.33	754-1115-2-ND	2,000	215.00/M	APL3015ZGCGK
16	1.6 x 0.8mm	Green	Water Clear	574	2.1	30	40	120°	754-1116-1-ND	.17	1.28	9.35	754-1116-2-ND	2,000	51.00/M	APPT1608CGGK
		HE Red	Water Clear	627	2.0	30	12	120°	754-1117-1-ND	.13	.94	6.88	754-1117-2-ND	2,000	38.00/M	APPT1608EC
		Mega Green	Water Clear	574	2.1	30	70	120°	754-1118-1-ND	.56	4.16	30.53	754-1118-2-ND	2,000	167.00/M	APPT1608MGC
		Blue	Water Clear	468	3.2	30	60	120°	754-1119-1-ND	.52	3.90	28.60	754-1119-2-ND	2,000	156.00/M	APPT1608PBC/A
		Super Orange	Water Clear	610	2.1	30	160	120°	754-1120-1-ND	.16	1.16	8.53	754-1120-2-ND	2,000	47.00/M	APPT1608SECK
		Super Green	Water Clear	565	2.2	25	15	120°	754-1121-1-ND	.13	.94	6.88	754-1121-2-ND	2,000	38.00/M	APPT1608SGC
		Super Red	Water Clear	660	1.85	30	100	120°	754-1122-1-ND	.13	.98	7.15	754-1122-2-ND	2,000	39.00/M	APPT1608SRCPRV
		Hyper Red	Water Clear	650	1.95	30	150	120°	754-1123-1-ND	.16	1.16	8.53	754-1123-2-ND	2,000	47.00/M	APPT1608SURCK
		Super Yellow	Water Clear	590	2.0	30	120	120°	754-1124-1-ND	.16	1.16	8.53	754-1124-2-ND	2,000	47.00/M	APPT1608SYCK
		Yellow	Water Clear	590	2.1	30	8	120°	754-1125-1-ND	.13	.94	6.88	754-1125-2-ND	2,000	38.00/M	APPT1608YCK
Green	Water Clear	515	3.3	25	300	120°	754-1126-1-ND	.72	5.36	39.33	754-1126-2-ND	2,000	215.00/M	APPT1608ZGCGK		
17	2.0 x 1.25mm	Green	Water Clear	574	2.1	30	40	120°	754-1127-1-ND	.17	1.24	9.08	754-1127-2-ND	2,000	50.00/M	APPT2012CGGK
		HE Red	Water Clear	627	2.0	30	12	120°	754-1128-1-ND	.13	.94	6.88	754-1128-2-ND	2,000	38.00/M	APPT2012EC
		Blue	Water Clear	468	3.2	30	60	120°	754-1129-1-ND	.52	3.90	28.60	754-1129-2-ND	2,000	156.00/M	APPT2012PBC/A
		Super Orange	Water Clear	610	2.1	30	160	120°	754-1130-1-ND	.17	1.24	9.08	754-1130-2-ND	2,000	50.00/M	APPT2012SECK
		Super Green	Water Clear	565	2.2	25	15	120°	754-1131-1-ND	.13	.94	6.88	754-1131-2-ND	2,000	38.00/M	APPT2012SGC
		Super Red	Water Clear	660	1.85	30	100	120°	754-1132-1-ND	.14	1.01	7.43	754-1132-2-ND	2,000	41.00/M	APPT2012SRCPRV
		Hyper Red	Water Clear	650	1.95	30	150	120°	754-1133-1-ND	.17	1.24	9.08	754-1133-2-ND	2,000	50.00/M	APPT2012SURCK
		Super Yellow	Water Clear	590	2.0	30	120	120°	754-1134-1-ND	.17	1.24	9.08	754-1134-2-ND	2,000	50.00/M	APPT2012SYCK
		Yellow	Water Clear	590	2.1	30	8	120°	754-1135-1-ND	.13	.98	7.15	754-1135-2-ND	2,000	39.00/M	APPT2012YCK
		Green	Water Clear	574	2.1	30	40	120°	754-1136-1-ND	.20	1.50	11.00	754-1136-2-ND	2,000	60.00/M	APPT3216CGGK
18	3.2 x 1.6mm	HE Red	Water Clear	627	2.0	30	12	120°	754-1137-1-ND	.17	1.24	9.08	754-1137-2-ND	2,000	50.00/M	APPT3216EC
		Mega Green	Water Clear	574	2.1	30	70	120°	754-1138-1-ND	.65	4.88	35.75	754-1138-2-ND	2,000	195.00/M	APPT3216MGC
		Blue	Water Clear	468	3.2	30	60	120°	754-1139-1-ND	.52	3.90	28.60	754-1139-2-ND	2,000	156.00/M	APPT3216PBC/A
		Super Orange	Water Clear	610	2.1	30	160	120°	754-1140-1-ND	.18	1.31	9.63	754-1140-2-ND	2,000	53.00/M	APPT3216SECK
		Super Green	Water Clear	565	2.2	25	15	120°	754-1141-1-ND	.17	1.24	9.08	754-1141-2-ND	2,000	50.00/M	APPT3216SGC
		Super Red	Water Clear	660	1.85	30	80	120°	754-1142-1-ND	.17	1.24	9.08	754-1142-2-ND	2,000	50.00/M	APPT3216SRCPRV
		Hyper Red	Water Clear	650	1.95	30	150	120°	754-1143-1-ND	.18	1.31	9.63	754-1143-2-ND	2,000	53.00/M	APPT3216SURCK
		Super Yellow	Water Clear	590	2.0	30	120	120°	754-1144-1-ND	.18	1.31	9.63	754-1144-2-ND	2,000	53.00/M	APPT3216SYCK
		Yellow	Water Clear	590	2.1	30	8	120°	754-1145-1-ND	.17	1.24	9.08	754-1145-2-ND	2,000	50.00/M	APPT3216YCK
		HE Red/Green	Water Clear	627/565	2/2.2	30/25	12/12	120°	754-1146-1-ND	.30	2.21	16.23	754-1146-2-ND	2,000	89.00/M	APTB1612ESGCGK-F01
19	1.6 x 1.25mm	Yellow/Green	Water Clear	590/574	2/2.1	30/30	100/50	120°	754-1147-1-ND	.33	2.44	17.88	754-1147-2-ND	2,000	98.00/M	APTB1612SYCKGCGK-F01
		Yellow/Green	Water Clear	590/565	2.1/2.2	30/25	8/12	120°	754-1148-1-ND	.30	2.21	16.23	754-1148-2-ND	2,000	89.00/M	APTB1612YSGCGK-F01
20	1.6 x 1.5mm	HE Red/Green	Water Clear	627/565	2/2.2	30/25	12/12	120°	754-1149-1-ND	.30	2.21	16.23	754-1149-2-ND	2,000	89.00/M	APTB1615ESGCGK-F01
		Yellow/Green	Water Clear	590/574	2/2.1	30/30	100/50	120°	754-1150-1-ND	.33	2.44	17.88	754-1150-2-ND	2,000	98.00/M	APTB1615SYCKGCGK-F01
		Yellow/Green	Water Clear	590/565	2.1/2.2	30/25	8/12	120°	754-1151-1-ND	.30	2.21	16.23	754-1151-2-ND	2,000	89.00/M	APTB1615YSGCGK-F01
21	3.2 x 1.6mm	Green	Water Clear	574	2.1	30	200	50°	754-1152-1-ND	.30	2.21	16.23	754-1152-2-ND	2,000	89.00/M	APTD3216CGGK
		HE Red	Water Clear	627	2.0	30	50	40°	754-1153-1-ND	.23	1.73	12.65	754-1153-2-ND	2,000	69.00/M	APTD3216EC
		Mega Green	Water Clear	574	2.1	30	350	50°	754-1154-1-ND	.78	5.85	42.90	754-1154-2-ND	2,000	234.00/M	APTD3216MGC
		Blue	Water Clear	468	3.2	30	220	50°	754-1155-1-ND	.56	4.16	30.53	754-1155-2-ND	2,000	167.00/M	APTD3216PBC/A
		Super Orange	Water Clear	610	2.1	30	700	50°	754-1156-1-ND	.28	2.06	15.13	754-1156-2-ND	2,000	83.00/M	APTD3216SECK
		Super Green	Water Clear	565	2.2	25	50	40°	754-1157-1-ND	.23	1.73	12.65	754-1157-2-ND	2,000	69.00/M	APTD3216SGC
		Super Red	Water Clear	660	1.85	30	300	50°	754-1158-1-ND	.23	1.73	12.65	754-1158-2-ND	2,000	69.00/M	APTD3216SRCPRV
		Hyper Red	Water Clear	650	1.95	30	500	50°	754-1159-1-ND	.28	2.06	15.13	754-1159-2-ND	2,000	83.00/M	APTD3216SURCK
		Super Yellow	Water Clear	590	2.1	30	250	50°	754-1160-1-ND	.28	2.06	15.13	754-1160-2-ND	2,000	83.00/M	APTD3216SYCK
		Yellow	Water Clear	590	2.1	30	30	40°	754-1161-1-ND	.23	1.73	12.65	754-1161-2-ND	2,000	69.00/M	APTD3216YCK
22	3.2 x 1.6mm	Green	Water Clear	574	2.1	30	200	70°	754-1162-1-ND	.21	1.58	11.55	754-1162-2-ND	2,000	63.00/M	APTL3216CGGK
		Blue	Water Clear	468	3.2	30	200	70°	754-1163-1-ND	.52	3.90	28.60	754-1163-2-ND	2,000	156.00/M	APTL3216PBC/A
		Super Orange	Water Clear	610	2.1	30	550	70°	754-1164-1-ND	.19	1.43	10.45	754-1164-2-ND	2,000	57.00/M	APTL3216SECK
		Hyper Red														

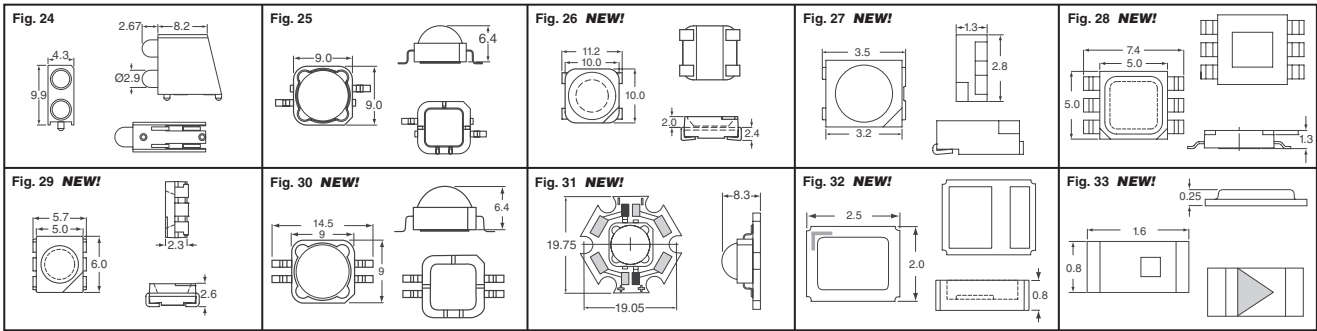


Fig.	Description	Emitted Color	Lens	Peak Wavelength (nm)	Vf Typ. (V)	If Max. (mA)	Iv (mcd) @ 20mA	Viewing Angle (2x Theta)	Digi-Key Part No.	Cut Tape Pricing			Digi-Key Part No.	Tape & Reel		Kingbright Part No.
										1	100	1000		Qty.	Pricing	
23	3.2 x 1.6mm	Green	Water Clear	574	2.1	30	40	120°	754-1167-1-ND	.21	1.58	11.55	754-1167-2-ND	2,000	63.00/M	APTR3216CGCK
		HE Red	Water Clear	627	2.0	30	12	120°	754-1168-1-ND	.17	1.24	9.08	754-1168-2-ND	2,000	50.00/M	APTR3216EC
		Blue	Water Clear	468	3.2	30	60	120°	754-1169-1-ND	.56	4.16	30.53	754-1169-2-ND	2,000	167.00/M	APTR3216PBC/A
		Super Orange	Water Clear	610	2.1	30	160	120°	754-1170-1-ND	.18	1.31	9.63	754-1170-2-ND	2,000	53.00/M	APTR3216SECK
		Super Green	Water Clear	565	2.2	25	15	120°	754-1171-1-ND	.16	1.16	8.53	754-1171-2-ND	2,000	47.00/M	APTR3216SGC
		Super Red	Water Clear	660	1.85	30	80	120°	754-1172-1-ND	.18	1.31	9.63	754-1172-2-ND	2,000	53.00/M	APTR3216SRCPRV
		Hyper Red	Water Clear	650	1.95	30	150	120°	754-1173-1-ND	.18	1.31	9.63	754-1173-2-ND	2,000	53.00/M	APTR3216SURCK
		Yellow	Water Clear	590	2.1	30	8	120°	754-1175-1-ND	.17	1.24	9.08	754-1175-2-ND	2,000	50.00/M	APTR3216YCK
		Super Yellow	Water Clear	590	2.0	30	120	120°	754-1174-1-ND	.18	1.31	9.63	754-1174-2-ND	2,000	53.00/M	APTR3216SYCK
Circuit Board Indicators																
24	3mm	Green	Diffused	565	2.2	25	20*	40°	754-1236-1-ND	.78	5.85	42.90	754-1236-2-ND	250	78.00	WP7104ALUP/2GD-0L
		HE Red	Diffused	627	2.0	30	20*	40°	754-1237-1-ND	.78	5.85	42.90	754-1237-2-ND	250	78.00	WP7104ALUP/2ID-0L
		Super Red	Diffused	660	1.85	30	300	40°	754-1238-1-ND	.78	5.85	42.90	754-1238-2-ND	250	78.00	WP7104ALUP/2SRD-0L
		Yellow	Diffused	590	2.1	30	15*	40°	754-1239-1-ND	.78	5.85	42.90	754-1239-2-ND	250	78.00	WP7104ALUP/2YD-0L
High Power LEDs																
25	9.0 x 9.0mm	Blue	Water Clear	452	3.2	350	5.5†	100°	754-1314-1-ND	8.52	63.90	468.60	754-1314-2-ND	500	1533.60	AAD1-9090QB10ZC
		Blue	Water Clear	461	3.9	700	10Δ	100°	754-1317-1-ND	11.34	85.05	623.70	754-1317-2-ND	500	2041.00	AAD1-9090QB11ZC/3
		Red-Orange	Water Clear	640	2.5	350	12†	100°	754-1315-1-ND	5.04	37.80	277.20	754-1315-2-ND	500	907.00	AAD1-9090SE28ZC
		Red-Orange	Water Clear	628	3.0	500	17††	100°	754-1338-1-ND NEW!	7.56	56.70	415.80	754-1338-2-ND NEW!	500	1361.00	AAD1-9090SE9ZC/2
		Yellow	Water Clear	590	2.5	350	11.5†	100°	754-1316-1-ND	5.04	37.80	277.20	754-1316-2-ND	500	907.00	AAD1-9090SY28ZC
26	10 x 10mm	Super Yellow	Water Clear	598	2.5	500	20††	100°	754-1342-1-ND NEW!	7.56	56.70	415.80	754-1342-2-ND NEW!	500	1361.00	AAD1-9090SY9ZC/2
		Green	Water Clear	520	3.3	350	24†	100°	754-1344-1-ND NEW!	10.08	75.60	554.40	754-1344-2-ND NEW!	500	1814.50	AAD1-9090ZG10ZC
		Blue	Water Clear	452	3.2	350	4.5†	120°	754-1319-1-ND NEW!	8.22	61.65	452.10	754-1319-2-ND NEW!	500	1479.50	AA10100B10ZC
		Red-Orange	Water Clear	640	2.5	350	32†	120°	754-1320-1-ND NEW!	3.84	28.80	211.20	754-1320-2-ND NEW!	500	691.00	AA1010SE28ZC
		Super Yellow	Water Clear	590	2.5	350	9†	120°	754-1321-1-ND NEW!	3.84	28.80	211.20	754-1321-2-ND NEW!	500	691.00	AA1010SY28ZC
27	3.5 x 2.8mm	Green	Water Clear	520	3.3	350	20†	120°	754-1322-1-ND NEW!	8.22	61.65	452.10	754-1322-2-ND NEW!	500	1479.50	AA1010ZG10ZC
		Blue	Water Clear	450	3.5	150	1000▲	120°	754-1323-1-ND NEW!	3.18	23.85	174.90	754-1323-2-ND NEW!	1,500	954.00/M	AA3529QB24ZS
		Red-Orange	Water Clear	626	3.6	150	6000▲	120°	754-1324-1-ND NEW!	1.26	9.45	69.30	754-1324-2-ND NEW!	1,500	378.00/M	AA3529SE5L
		Super Yellow	Water Clear	590	3.6	150	3000▲	120°	754-1325-1-ND NEW!	1.26	9.45	69.30	754-1325-2-ND NEW!	1,500	378.00/M	AA3529SY5L
		Green	Water Clear	515	3.4	150	7500▲	120°	754-1326-1-ND NEW!	4.44	33.30	244.20	754-1326-2-ND NEW!	1,500	1332.00/M	AA3529ZG24ZS
28	5.0 x 5.0mm	Blue/Green	Water Clear	450/515	3.1/3.2	120	1450/4900	120°	754-1327-1-ND NEW!	8.82	66.15	485.10	754-1327-2-ND NEW!	500	1587.50	AAAF0501-02
		Red/Green	Water Clear	633/515	2.3/3.2	120	3100/4900	120°	754-1327-1-ND NEW!	8.82	66.15	485.10	754-1327-2-ND NEW!	500	1587.50	AAAF0501-02
		Blue/Green	Water Clear	468/520	3.2/3.2	30	250/600▼	100°	754-1328-1-ND NEW!	3.18	23.85	174.90	754-1328-2-ND NEW!	500	572.50	AAAF0506PBSEEVGEC
29	5.0 x 6.0mm	Blue/Green	Water Clear	468/515	3.5/3.3	30	250/650/1000▼	100°	754-1329-1-ND NEW!	2.22	16.65	122.10	754-1329-2-ND NEW!	500	399.50	AAAF0506QBDZGSEEC
		Orange/Green	Water Clear	630/520	2.0/3.2	30	1000/600▼	100°	754-1329-1-ND NEW!	2.22	16.65	122.10	754-1329-2-ND NEW!	500	399.50	AAAF0506QBDZGSEEC
		Blue/Green	Water Clear	468/520	3.2/3.2	30	250/600▼	100°	754-1332-1-ND NEW!	3.18	23.85	174.90	754-1332-2-ND NEW!	500	572.50	AAAF0506PBESURVGEK
30	9.0 x 9.0mm	Blue/Green	Water Clear	452/520	3.2/3.3	350	3.5/16†	135°	754-1330-1-ND NEW!	22.68	170.10	1247.40	754-1330-2-ND NEW!	500	4082.50	AAD1-9090BRGC-01/3
		Red/Green	Water Clear	640/520	2.5/3.3	350	8/16†	135°	754-1330-1-ND NEW!	22.68	170.10	1247.40	754-1330-2-ND NEW!	500	4082.50	AAD1-9090BRGC-01/3
		Blue/Green	Water Clear	452/520	3.2/3.3	350	3.5/16†	135°	754-1330-1-ND NEW!	22.68	170.10	1247.40	754-1330-2-ND NEW!	500	4082.50	AAD1-9090BRGC-01/3
31	3W w/star brd	Blue/Green	Water Clear	452/520	3.2/3.3	350	3.5/16†	135°	754-1331-5-ND NEW!	18.90	365.40	1184.40	—	—	—	AAD1-9090BRGC-01/3-S
		Blue	Water Clear	452	3.2	350	5.5†	100°	754-1333-5-ND NEW!	10.17	196.62	637.32	—	—	—	AAD1-9090QB10ZC-S
		Blue	Water Clear	461	3.9	700	10Δ	100°	754-1335-5-ND NEW!	12.29	237.51	769.86	—	—	—	AAD1-9090QB11ZC/3-S
		Red-Orange	Water Clear	640	2.5	350	12†	100°	754-1337-5-ND NEW!	7.56	146.16	473.76	—	—	—	AAD1-9090SE28ZC-S
		Red-Orange	Water Clear	628	3.0	500	17††	100°	754-1339-5-ND NEW!	9.45	182.70	592.20	—	—	—	AAD1-9090SE9ZC/2-S
		Super Yellow	Water Clear	590	2.5	350	11.5†	100°	754-1341-5-ND NEW!	7.56	146.16	473.76	—	—	—	AAD1-9090SY28ZC-S
		Super Yellow	Water Clear	598	2.5	500	20††	100°	754-1343-5-ND NEW!	9.45	182.70	592.20	—	—	—	AAD1-9090SY9ZC/2-S
		Green	Water Clear	520	3.3	350	24†	100°	754-1345-5-ND NEW!	11.34	219.24	710.64	—	—	—	AAD1-9090ZG10ZC-S
32	2.5 x 2.0mm	Blue	Water Clear	452	3.5	250	2500★	120°	754-1346-1-ND NEW!	7.66	58.95	432.30	754-1346-2-ND NEW!	2,000	2358.00/M	AT2520QB10ZS
		Red-Orange	Water Clear	628	2.3	250	4500★	130°	754-1347-1-ND NEW!	9.18	68.85	504.90	754-1347-2-ND NEW!	2,000	2754.00/M	AT2520SE9ZS
		Super Yellow	Water Clear	598	2.3	250	4500★	130°	754-1348-1-ND NEW!	9.18	68.85	504.90	754-1348-2-ND NEW!	2,000	2754.00/M	AT2520SE9ZS
		Green	Water Clear	520	3.6	250	10000★	120°	754-1349-1-ND NEW!	9.60	72.00	528.00	754-1349-2-ND NEW!	2,000	2880.00/M	AT2520ZG10ZS
		Blue	Water Clear	470	3.2	20	35	120°	754-1350-1-ND NEW!	.49	3.68	26.95	754-1350-2-ND NEW!	2,000	147.00/M	APG1608PBC/A
33	1.6 x 0.8mm	Blue	Water Clear	470	3.3	20	70	120°	754-1351-1-ND NEW!	.36	2.70	19.80	754-1351-2-ND NEW!	2,000	108.00/M	APG1608QB/C/D
		Blue	Water Clear	470	3.3	20	95	120°	754-1352-1-ND NEW!	.72	5.36	39.33	754-1352-2-ND NEW!	2,000	214.50/M	APG1608QB/C/E
		Blue	Water Clear	470	3.3	20	95	120°	754-1352-1-ND NEW!	.72	5.36	39.33	754-1352-2-ND NEW!	2,000	214.50/M	APG1608QB/C/E
		Super Orange	Water Clear	605	2.05	20	200	120°	754-1353-1-ND NEW!	.18	1.35	9.90	754-1353-2-ND NEW!	2,000	54.00/M	APG1608SEK/C/T
		Super Yellow	Water Clear	589	2.05	20	100	120°	754-1354-1-ND NEW!	.18	1.35	9.90	754-1354-2-ND NEW!	2,000	54.00/M	APG1608SYK/C/T
		Green	Water Clear	525	3.2	20	200	120°	754-1355-1-ND NEW!	1.24	9.26	67.93	754-1355-2-ND NEW!	2,000	370.50/M	APG1608VGC/A
		Green	Water Clear	525	3.3	20	420	120°	754-1356-1-ND NEW!	.65	4.88	35.75	754-1356-2-ND NEW!	2,000	195.00/M	APG1608ZGC
		Green	Water Clear	571	2.1	20	60	120°	754-1357-1-ND NEW!	.20	1.46	10.73	754-1357-2-ND NEW!	2,000	58.50/M	APG1608GGK/C/T
		Blue	Water Clear	470	3.2	20	35	120°	754-1358-1-ND NEW!	.72	5.36	39.33	754-1358-2-ND NEW!	2,000	214.50/M	APG1608PBAZC-RV
		Hyper Red	Water Clear	631	2.0	20	320	120°	754-1359-1-ND NEW!	.18	1.35	9.90	754-1359-2-ND NEW!	2,000	54.00/M	APG1608SURK/C/T
		Red	Water Clear	525	3.2	20	200	120°	754-1360-1-ND NEW!							