

LEM Closed/Open Transducers

LTS 6-NP, LTS 15-NP and LTS 25-NP: Closed loop (compensated) multi-range current transducer using the Hall effect, unipolar voltage supply, compact design for PCB mounting, insulated plastic case recognized according to UL94-V0, incorporated measuring resistance, and extended measuring range.
LA 20-PB: Closed loop (compensation) current transducer using the Hall effect, voltage output, and printed circuit board mounting.
LAH 25-NP, LAH 50-P, LAH 100-P, LA 55-P and LA 100-P: Closed loop (compensated) multi-range current transducer using the Hall effect, printed circuit board mounting, insulated plastic case recognized according to UL94-V0.
LA 150-P: Closed loop (compensated) current transducer using the Hall effect, and printed circuit board mounting.
LV 25-P and LV 20-P: Closed loop (compensated) voltage transducer using the Hall effect, and insulated plastic case recognized according to UL94-V0.
HXS xx-NP: Small packaged O/L, ASIC based with +5V supply. Four primary bus bars can be connected in parallel or series for flexibility.
HAS xx-P: PCB mount with aperture. O/L ASIC based with +5V supply. Range

is from 50A thru 400A. Programmable offset and gain. Wide temperature range of -40°C to 125°C.
HAS xx-TP: PCB mount with primary bus bar. O/L ASIC based with +5V supply. Range is from 50A, 75A and 100A. Programmable offset and gain. Wide temperature range of -40°C to 125°C.
HX xx-P: Small, cost effective PCB mount package that ranges from 3A thru 50A. Isolated with DC/AC/Pulse measurements.
HTB xx-P: PCB mount with aperture. Small package O/L with range from 50A thru 400A. Isolated with DC/AC/Pulse measurements.
HTB xx-TP: PCB mount with primary bus bar. Small package O/L with range of 50A, 75A and 100A. Isolated DC/AC/Pulse measurements.
HAS xx-S: Panel mount O/L. Isolated and can measure DC/AC currents at range of 50A thru 600A. Measuring range to 3 times nominal.
HAS xx-P: PCB mount with aperture. Isolated and can measure DC/AC currents at range of 50A thru 600A. Measuring range to 3 times nominal.
HASS xx-S: Panel mount O/L ASIC based device that can measure DC/AC current

at 50A thru 600A. Unipolar +5V supply with accuracy of 1%.
HMS xx-NP: Surface mount O/L ASIC device with +5V supply. Measuring range from 5A thru 25A.
TT xx-SD: Split core transducer for the electronic measurement of AC waveform currents, with galvanic isolation between the primary circuit (power) and the secondary circuit (measurement).
AT xxx B10: Split core transducer for the electronic measurement of AC waveform currents, with galvanic isolation between the primary circuit (power) and the secondary circuit (measurement). 0-10VDC voltage output proportional to the RMS value of the primary current.
APR xxx B10: Split core transducer for the electronic measurement of AC currents (all waveforms). Switch selectable measuring ranges and true RMS 0-5V and 0-10V switch selectable voltage output.
DHR 100 C10: The transducer for the electronic measurement of DC and distorted AC waveform currents. True RMS 0-10V voltage output.

Dim. in mm

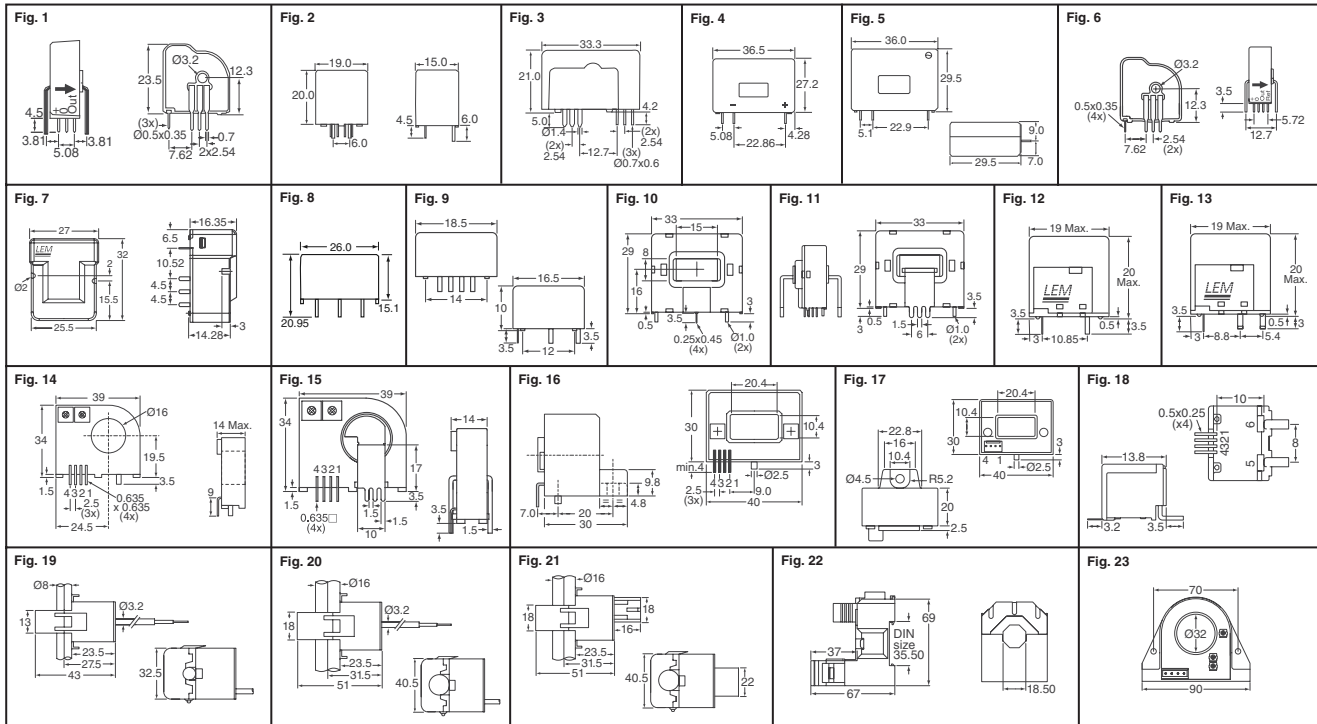


Fig.	Supply Voltage	Prim. Nom. r.m.s. Current	Sec. Nom. r.m.s. Current/Out. Volt.	Frequency Range (kHz)	Digi-Key Part No.	Price Each	1	10	25	LEM USA Inc. Part No.
Closed Loop Current Transducers										
1	5V	6A	±2.5V	200	398-1000-ND	20.20	16.16	12.93		LTS 6-NP
	5V	15A	±2.5V	200	398-1001-ND	20.20	16.16	12.93		LTS 15-NP
	5V	25A	±2.5V	200	398-1002-ND	20.20	16.16	12.93		LTS 25-NP
2	±15V	20A	±4V	150	398-1006-ND	44.38	35.50	28.40		LA 20-PB
	±12 - 15V	25A	25mA	200	398-1007-ND	28.25	22.60	18.08		LAH 25-NP
3	±12 - 15V	50A	25mA	200	398-1008-ND	30.25	24.20	19.36		LAH 50-P
	±12 - 15V	100A	50mA	200	398-1009-ND	33.00	26.40	21.12		LAH 100-P
	±12 - 15V	50A	50mA	200	398-1010-ND	25.75	20.60	16.48		LA 55-P
4	±12 - 15V	100A	50mA	200	398-1011-ND	32.25	25.80	20.64		LA 100-P
	±15V	150A	75mA	150	398-1012-ND	38.00	30.40	24.32		LA 150-P
6	5V	6A	2.5V	200	398-1021-5-ND	22.25	17.80	14.24		LTSR 6-NP
	5V	15A	2.5V	200	398-1022-5-ND	22.25	17.80	14.24		LTSR 15-NP
	5V	25A	2.5V	200	398-1023-5-ND	22.25	17.80	14.24		LTSR 25-NP
7	±13.58V	100A	50mA	300	398-1024-5-ND	20.25	16.20	12.96		LAX 100-NP
Closed Loop Voltage Transducers — RoHS Compliant										
8	±12 - 15V	10mA	25mA	25	398-1019-ND	63.20	50.56	40.45		LV 25-P
	±12 - 15V	10mA	25mA	25	398-1020-ND	36.60	29.28	23.43		LV 20-P
Open Loop Current Transducers — RoHS Compliant										
9	5V	20A	±2.5V	50	398-1025-5-ND	14.00	11.20	8.96		HXS 20-NP
	5V	50A	±2.5V	50	398-1026-5-ND	14.00	11.20	8.96		HXS 50-NP
10	5V	50A	±2.5V	50	398-1029-ND	25.50	20.40	16.32		HAS 50-P
	5V	100A	±2.5V	50	398-1030-ND	25.50	20.40	16.32		HAS 100-P
	5V	150A	±2.5V	50	398-1031-ND	25.50	20.40	16.32		HAS 150-P

Fig.	Supply Voltage	Prim. Nom. r.m.s. Current	Sec. Nom. r.m.s. Current/Out. Volt.	Frequency Range (kHz)	Digi-Key Part No.	Price Each	1	10	25	LEM USA Inc. Part No.
10	5V	200A	±2.5V	50	398-1032-ND	25.50	20.40	16.32		HAS 200-P
11	5V	50A	±2.5V	50	398-1027-ND	26.50	21.20	16.96		HAS 50-TP
	5V	100A	±2.5V	50	398-1028-ND	26.50	21.20	16.96		HAS 100-TP
	15V	3A	±4V	50	398-1034-ND	14.50	11.60	9.28		HX 03-P
12	15V	5A	±4V	50	398-1035-ND	14.50	11.60	9.28		HX 05-P
	15V	10A	±4V	50	398-1036-ND	14.50	11.60	9.28		HX 10-P
	15V	15A	±4V	50	398-1037-ND	14.50	11.60	9.28		HX 15-P
	15V	20A	±4V	50	398-1038-ND	14.50	11.60	9.28		HX 20-P
13	15V	50A	±4V	50	398-1039-ND	18.00	14.40	11.52		HX 50-P
14	±12 - 15V	200A	±4V	50	398-1041-ND	25.00	20.00	16.00		HTB 200-P
	±12 - 15V	50A	±4V	50	398-1075-ND	25.88	20.70	16.56		HTB 50-TP
15	±12 - 15V	100A	±4V	50	398-1077-ND	25.88	20.70	16.56		HTB 100-TP
	15V	50A	±4V	50	398-1049-ND	25.00	20.00	16.00		HAS 50-S
	15V	100A	±4V	50	398-1050-ND	25.00	20.00	16.00		HAS 100-S
	15V	200A	±4V	50	398-1051-ND	25.00	20.00	16.00		HAS 200-S
	15V	300A	±4V	50	398-1052-ND	26.50	21.20	16.96		HAS 300-S
	15V	400A	±4V	50	398-1053-ND	26.50	21.20	16.96		HAS 400-S
	15V	500A	±4V	50	398-1054-ND	26.50	21.20	16.96		HAS 500-S
	15V	600A	±4V	50	398-1055-ND	26.50	21.20	16.96		HAS 600-S
	15V	300A	±4V	25	398-1045-ND	26.50	21.20	16.96		HAS 300-P
	15V	50A	5V	50	398-1062-ND	26.00	20.80	16.64		HASS 50-S
17	5V	100A	5V	50	398-1063-ND	26.00	20.80	16.64		HASS 100-S
	5V	200A	5V	50	398-1064-ND	26.00	20.80	16.64		HASS 200-S

† Cut Tape ‡ Tape and Reel ◆ RoHS Compliant

(Continued)

More Product Available Online: www.digkey.com

Toll-Free: 1-800-344-4539 • Phone 218-681-6674 • Fax: 218-681-3380