

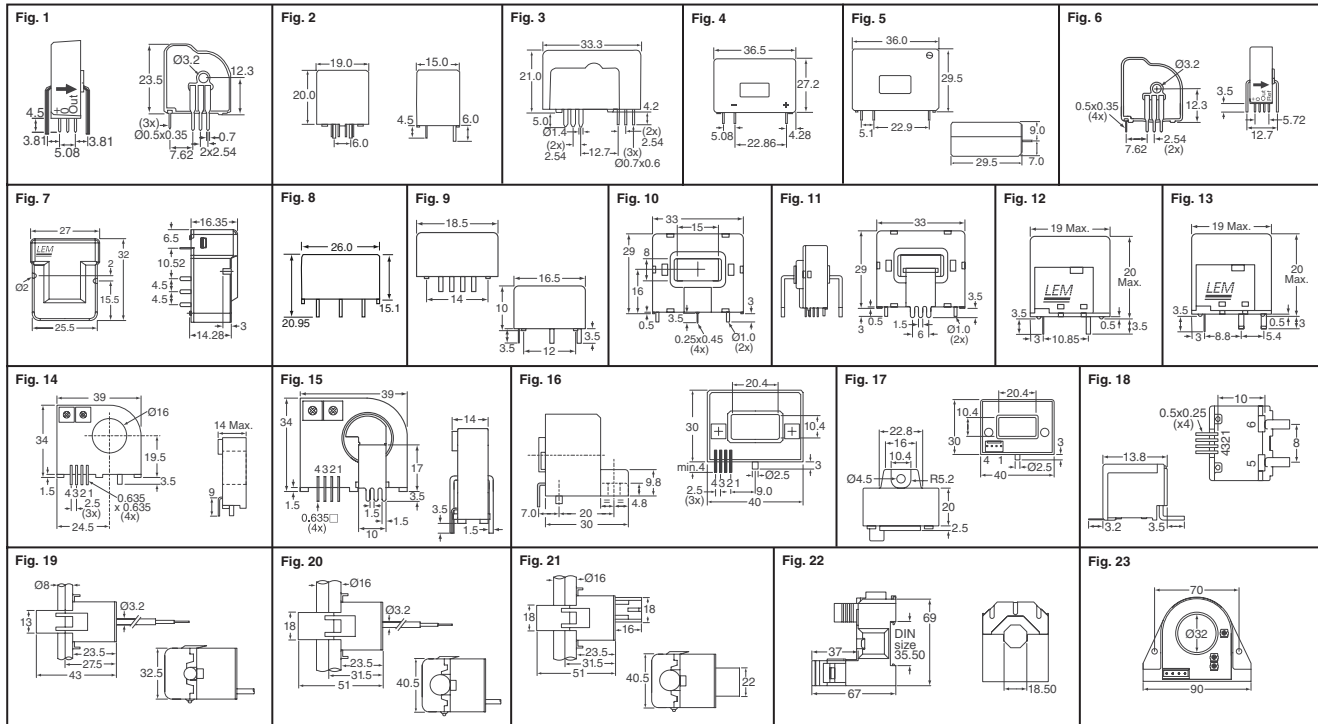
# LEM Closed/Open Transducers

**LTS 6-NP, LTS 15-NP and LTS 25-NP:** Closed loop (compensated) multi-range current transducer using the Hall effect, unipolar voltage supply, compact design for PCB mounting, insulated plastic case recognized according to UL94-VO, incorporated measuring resistance, and extended measuring range.  
**LA 20-PB:** Closed loop (compensation) current transducer using the Hall effect, voltage output, and printed circuit board mounting.  
**LAH 25-NP, LAH 50-P, LAH 100-P, LA 55-P and LA 100-P:** Closed loop (compensated) multi-range current transducer using the Hall effect, printed circuit board mounting, insulated plastic case recognized according to UL94-VO.  
**LA 150-P:** Closed loop (compensated) current transducer using the Hall effect, and printed circuit board mounting.  
**LV 25-P and LV 20-P:** Closed loop (compensated) voltage transducer using the Hall effect, and insulated plastic case recognized according to UL94-VO.  
**HXS xx-NP:** Small packaged O/L, ASIC based with +5V supply. Four primary bus bars can be connected in parallel or series for flexibility.  
**HAS xx-P:** PCB mount with aperture. O/L ASIC based with +5V supply. Range

is from 50A thru 400A. Programmable offset and gain. Wide temperature range of -40°C to 125°C.  
**HAS xx-TP:** PCB mount with primary bus bar. O/L ASIC based with +5V supply. Range is from 50A, 75A and 100A. Programmable offset and gain. Wide temperature range of -40°C to 125°C.  
**HX xx-P:** Small, cost effective PCB mount package that ranges from 3A thru 50A. Isolated with DC/AC/Pulse measurements.  
**HTB xx-P:** PCB mount with aperture. Small package O/L with range from 50A thru 400A. Isolated with DC/AC/Pulse measurements.  
**HTB xx-TP:** PCB mount with primary bus bar. Small package O/L with range of 50A, 75A and 100A. Isolated DC/AC/Pulse measurements.  
**HAS xx-S:** Panel mount O/L. Isolated and can measure DC/AC currents at range of 50A thru 600A. Measuring range to 3 times nominal.  
**HAS xx-P:** PCB mount with aperture. Isolated and can measure DC/AC currents at range of 50A thru 600A. Measuring range to 3 times nominal.  
**HASS xx-S:** Panel mount O/L ASIC based device that can measure DC/AC current

at 50A thru 600A. Unipolar +5V supply with accuracy of 1%.  
**HMS xx-NP:** Surface mount O/L ASIC device with +5V supply. Measuring range from 5A thru 25A.  
**TT xx-SD:** Split core transducer for the electronic measurement of AC waveform currents, with galvanic isolation between the primary circuit (power) and the secondary circuit (measurement).  
**AT xxx B10:** Split core transducer for the electronic measurement of AC waveform currents, with galvanic isolation between the primary circuit (power) and the secondary circuit (measurement). 0-10VDC voltage output proportional to the RMS value of the primary current.  
**APR xxx B10:** Split core transducer for the electronic measurement of AC currents (all waveforms). Switch selectable measuring ranges and true RMS 0-5V and 0-10V switch selectable voltage output.  
**DHR 100 C10:** The transducer for the electronic measurement of DC and distorted AC waveform currents. True RMS 0-10V voltage output.

Dim. in mm



| Fig.  | Supply Voltage | Prim. Nom. r.m.s. Current | Sec. Nom. r.m.s. Current/Out. Volt. | Frequency Range (kHz) | Digi-Key Part No. | Price Each | 1     | 10    | 25 | LEM USA Inc. Part No. |
|---|----------------|---------------------------|-------------------------------------|-----------------------|-------------------|------------|-------|-------|----|-----------------------|
| <b>Closed Loop Current Transducers</b>                  |                |                           |                                     |                       |                   |            |       |       |    |                       |
| 1   | 5V             | 6A                        | ±2.5V                               | 200                   | 398-1000-ND       | 20.20      | 16.16 | 12.93 |    | LTS 6-NP              |
|   | 5V             | 15A                       | ±2.5V                               | 200                   | 398-1001-ND       | 20.20      | 16.16 | 12.93 |    | LTS 15-NP             |
|   | 5V             | 25A                       | ±2.5V                               | 200                   | 398-1002-ND       | 20.20      | 16.16 | 12.93 |    | LTS 25-NP             |
| 2   | ±15V           | 20A                       | ±4V                                 | 150                   | 398-1006-ND       | 44.38      | 35.50 | 28.40 |    | LA 20-PB              |
|   | ±12 - 15V      | 25A                       | 25mA                                | 200                   | 398-1007-ND       | 28.25      | 22.60 | 18.08 |    | LAH 25-NP             |
| 3   | ±12 - 15V      | 50A                       | 25mA                                | 200                   | 398-1008-ND       | 30.25      | 24.20 | 19.36 |    | LAH 50-P              |
|   | ±12 - 15V      | 100A                      | 50mA                                | 200                   | 398-1009-ND       | 33.00      | 26.40 | 21.12 |    | LAH 100-P             |
|   | ±12 - 15V      | 50A                       | 50mA                                | 200                   | 398-1010-ND       | 25.75      | 20.60 | 16.48 |    | LA 55-P               |
| 4   | ±12 - 15V      | 100A                      | 50mA                                | 200                   | 398-1011-ND       | 32.25      | 25.80 | 20.64 |    | LA 100-P              |
|   | ±15V           | 150A                      | 75mA                                | 150                   | 398-1012-ND       | 38.00      | 30.40 | 24.32 |    | LA 150-P              |
| 6   | 5V             | 6A                        | 2.5V                                | 200                   | 398-1021-5-ND     | 22.25      | 17.80 | 14.24 |    | LTSR 6-NP             |
|   | 5V             | 15A                       | 2.5V                                | 200                   | 398-1022-5-ND     | 22.25      | 17.80 | 14.24 |    | LTSR 15-NP            |
|   | 5V             | 25A                       | 2.5V                                | 200                   | 398-1023-5-ND     | 22.25      | 17.80 | 14.24 |    | LTSR 25-NP            |
| 7   | ±13.58V        | 100A                      | 50mA                                | 300                   | 398-1024-5-ND     | 20.25      | 16.20 | 12.96 |    | LAX 100-NP            |
| <b>Closed Loop Voltage Transducers — RoHS Compliant</b> |                |                           |                                     |                       |                   |            |       |       |    |                       |
| 8   | ±12 - 15V      | 10mA                      | 25mA                                | 25                    | 398-1019-ND       | 63.20      | 50.56 | 40.45 |    | LV 25-P               |
|   | ±12 - 15V      | 10mA                      | 25mA                                | 25                    | 398-1020-ND       | 36.60      | 29.28 | 23.43 |    | LV 20-P               |
| <b>Open Loop Current Transducers — RoHS Compliant</b>   |                |                           |                                     |                       |                   |            |       |       |    |                       |
| 9   | 5V             | 20A                       | ±2.5V                               | 50                    | 398-1025-5-ND     | 14.00      | 11.20 | 8.96  |    | HXS 20-NP             |
|   | 5V             | 50A                       | ±2.5V                               | 50                    | 398-1026-5-ND     | 14.00      | 11.20 | 8.96  |    | HXS 50-NP             |
| 10  | 5V             | 50A                       | ±2.5V                               | 50                    | 398-1029-ND       | 25.50      | 20.40 | 16.32 |    | HAS 50-P              |
|   | 5V             | 100A                      | ±2.5V                               | 50                    | 398-1030-ND       | 25.50      | 20.40 | 16.32 |    | HAS 100-P             |
|   | 5V             | 150A                      | ±2.5V                               | 50                    | 398-1031-ND       | 25.50      | 20.40 | 16.32 |    | HAS 150-P             |

| Fig. | Supply Voltage | Prim. Nom. r.m.s. Current | Sec. Nom. r.m.s. Current/Out. Volt. | Frequency Range (kHz) | Digi-Key Part No. | Price Each | 1     | 10    | 25 | LEM USA Inc. Part No. |
|------|----------------|---------------------------|-------------------------------------|-----------------------|-------------------|------------|-------|-------|----|-----------------------|
| 10   | 5V             | 200A                      | ±2.5V                               | 50                    | 398-1032-ND       | 25.50      | 20.40 | 16.32 |    | HAS 200-P             |
| 11   | 5V             | 50A                       | ±2.5V                               | 50                    | 398-1027-ND       | 26.50      | 21.20 | 16.96 |    | HAS 50-TP             |
|      | 5V             | 100A                      | ±2.5V                               | 50                    | 398-1028-ND       | 26.50      | 21.20 | 16.96 |    | HAS 100-TP            |
|      | 15V            | 3A                        | ±4V                                 | 50                    | 398-1034-ND       | 14.50      | 11.60 | 9.28  |    | HX 03-P               |
| 12   | 15V            | 5A                        | ±4V                                 | 50                    | 398-1035-ND       | 14.50      | 11.60 | 9.28  |    | HX 05-P               |
|      | 15V            | 10A                       | ±4V                                 | 50                    | 398-1036-ND       | 14.50      | 11.60 | 9.28  |    | HX 10-P               |
|      | 15V            | 15A                       | ±4V                                 | 50                    | 398-1037-ND       | 14.50      | 11.60 | 9.28  |    | HX 15-P               |
|      | 15V            | 20A                       | ±4V                                 | 50                    | 398-1038-ND       | 14.50      | 11.60 | 9.28  |    | HX 20-P               |
| 13   | 15V            | 50A                       | ±4V                                 | 50                    | 398-1039-ND       | 18.00      | 14.40 | 11.52 |    | HX 50-P               |
| 14   | ±12 - 15V      | 200A                      | ±4V                                 | 50                    | 398-1041-ND       | 25.00      | 20.00 | 16.00 |    | HTB 200-P             |
|      | ±12 - 15V      | 50A                       | ±4V                                 | 50                    | 398-1075-ND       | 25.88      | 20.70 | 16.56 |    | HTB 50-TP             |
| 15   | ±12 - 15V      | 100A                      | ±4V                                 | 50                    | 398-1077-ND       | 25.88      | 20.70 | 16.56 |    | HTB 100-TP            |
|      | 15V            | 50A                       | ±4V                                 | 50                    | 398-1049-ND       | 25.00      | 20.00 | 16.00 |    | HAS 50-S              |
|      | 15V            | 100A                      | ±4V                                 | 50                    | 398-1050-ND       | 25.00      | 20.00 | 16.00 |    | HAS 100-S             |
|      | 15V            | 200A                      | ±4V                                 | 50                    | 398-1051-ND       | 25.00      | 20.00 | 16.00 |    | HAS 200-S             |
|      | 15V            | 300A                      | ±4V                                 | 50                    | 398-1052-ND       | 26.50      | 21.20 | 16.96 |    | HAS 300-S             |
|      | 15V            | 400A                      | ±4V                                 | 50                    | 398-1053-ND       | 26.50      | 21.20 | 16.96 |    | HAS 400-S             |
|      | 15V            | 500A                      | ±4V                                 | 50                    | 398-1054-ND       | 26.50      | 21.20 | 16.96 |    | HAS 500-S             |
|      | 15V            | 600A                      | ±4V                                 | 50                    | 398-1055-ND       | 26.50      | 21.20 | 16.96 |    | HAS 600-S             |
|      | 15V            | 300A                      | ±4V                                 | 25                    | 398-1045-ND       | 26.50      | 21.20 | 16.96 |    | HAS 300-P             |
|      | 15V            | 50A                       | 5V                                  | 50                    | 398-1062-ND       | 26.00      | 20.80 | 16.64 |    | HASS 50-S             |
| 17   | 5V             | 100A                      | 5V                                  | 50                    | 398-1063-ND       | 26.00      | 20.80 | 16.64 |    | HASS 100-S            |
|      | 5V             | 200A                      | 5V                                  | 50                    | 398-1064-ND       | 26.00      | 20.80 | 16.64 |    | HASS 200-S            |

† Cut Tape ‡ Tape and Reel ◆ RoHS Compliant

(Continued)

More Product Available Online: [www.digkey.com](http://www.digkey.com)

Toll-Free: 1-800-344-4539 • Phone 218-681-6674 • Fax: 218-681-3380



## Closed/Open Transducers (Cont.)

| Fig. | Supply Voltage | Prim. Nom. r.m.s. Current | Sec. Nom. r.m.s. Current/Out. Volt. | Frequency Range (kHz) | Digi-Key Part No. | Price Each        | LEM USA Inc. Part No. |
|------|----------------|---------------------------|-------------------------------------|-----------------------|-------------------|-------------------|-----------------------|
|      |                |                           |                                     |                       |                   | 1 10 25           |                       |
| 17   | 5V             | 300A                      | 5V                                  | 50                    | 398-1065-ND       | 27.50 22.00 17.60 | HASS 300-S            |
|      | 5V             | 400A                      | 5V                                  | 50                    | 398-1066-ND       | 27.50 22.00 17.60 | HASS 400-S            |
|      | 5V             | 500A                      | 5V                                  | 50                    | 398-1067-ND       | 27.50 22.00 17.60 | HASS 500-S            |
|      | 5V             | 600A                      | 5V                                  | 50                    | 398-1068-ND       | 27.50 22.00 17.60 | HASS 600-S            |
| 18   | 5V             | 5A                        | 5V                                  | 50                    | 398-1058-1-ND†    | 16.98 14.15 11.32 | HMS 05-P              |
|      |                |                           |                                     |                       | 398-1058-2-ND‡    | 2547.00/300       | HMS 05-P              |
|      | 5V             | 10A                       | 5V                                  | 50                    | 398-1059-1-ND†    | 16.98 14.15 11.32 | HMS 10-P              |
|      |                |                           |                                     |                       | 398-1059-2-ND‡    | 2547.00/300       | HMS 10-P              |
|      | 5V             | 15A                       | 5V                                  | 50                    | 398-1060-1-ND†    | 16.98 14.15 11.32 | HMS 15-P              |
|      |                |                           |                                     |                       | 398-1060-2-ND‡    | 2547.00/300       | HMS 15-P              |
|      | 5V             | 20A                       | 5V                                  | 50                    | 398-1061-1-ND†    | 16.98 14.15 11.32 | HMS 20-P              |
|      |                |                           |                                     |                       | 398-1061-2-ND‡    | 2547.00/300       | HMS 20-P              |

| Fig.  | Supply Voltage | Prim. Nom. r.m.s. Current | Sec. Nom. r.m.s. Current/Out. Volt. | Frequency Range (kHz) | Digi-Key Part No. | Price Each           | LEM USA Inc. Part No. |
|---|----------------|---------------------------|-------------------------------------|-----------------------|-------------------|----------------------|-----------------------|
|   |                |                           |                                     |                       |                   | 1 10 25              |                       |
| <b>AC Split Core Current Transducers — RoHS Compliant</b> |                |                           |                                     |                       |                   |                      |                       |
| 19  | —              | 50A                       | 16.66mA                             | 50/60 Hz              | 398-1078-ND       | 39.88 31.90 21.54    | TT 50-SD              |
| 20  | —              | 100A                      | 33.33mA                             | 50/60 Hz              | 398-1079-ND       | 45.25 36.20 24.44    | TT 100-SD             |
| 21  | Self-Powered   | 5A                        | 0-10V                               | 50/60 Hz              | 398-1080-ND       | 63.38 50.70 34.23    | AT 5 B10              |
|   | Self-Powered   | 20A                       | 0-10V                               | 50/60 Hz              | 398-1081-ND       | 81.50 65.20 44.01    | AT 20 B10             |
|   | Self-Powered   | 50A                       | 0-10V                               | 50/60 Hz              | 398-1082-ND       | 97.88 78.30 52.86    | AT 50 B10             |
|   | Self-Powered   | 100A                      | 0-10V                               | 50/60 Hz              | 398-1083-ND       | 87.00 69.60 46.98    | AT 100 B10            |
| 22  | 24 ± 5%VDC     | 50A                       | 0-5V/0-10V                          | 30-6000Hz             | 398-1084-ND       | 201.50 161.20 108.81 | APR 50 B10            |
|   | 24 ± 5%VDC     | 200A                      | 0-5V/0-10V                          | 30-6000Hz             | 398-1085-ND       | 221.63 177.30 119.68 | APR 200 B10           |
| <b>AC/DC Current Transducers — RoHS Compliant</b>         |                |                           |                                     |                       |                   |                      |                       |
| 23  | 20-50VDC       | 100A                      | 0-10V                               | 20-6000Hz             | 398-1086-ND       | 239.38 191.50 129.27 | DHR 100 C10           |

† Cut Tape ‡ Tape and Reel ◆ RoHS Compliant

## SMD Current Transducer

The Minisens transducer is an ultra flat SMD open loop integrated circuit current transducer based on the Hall effect principle. The IC is calibrated to minimize offset and temperature drifts. **Advantages:** • Low cost • Excellent Linearity

| Max. Curr. Range (A) | Supp. Volt. | Package | Digi-Key Part No. | Cut Tape Price Each | T&R Pricing | LEM USA Inc. Part No. |
|----------------------|-------------|---------|-------------------|---------------------|-------------|-----------------------|
|                      |             |         |                   | 1 10 25             | 2,600       |                       |
| ±100                 | 5V          | 8-SOIC  | 398-1057-1-ND     | 5.28 4.40 3.52      | 6864.00/M   | FHS 40-P/SP600        |

## Evaluation Kits for FHS 40-P/SP600



|             |  |         |
|-------------|--|---------|
| 398-1069-ND | Evaluation Kit with PCB for 0 - 30A range, 78A maximum | \$37.20 |
| 398-1070-ND | Evaluation Kit with PCB for 0 - 5A range, 16A maximum  | \$37.20 |
| 398-1071-ND | Evaluation Kit with PCB for 0 - 5A range, 11A maximum  | \$37.20 |
| 398-1072-ND | Evaluation Kit with PCB for 0 - 10A range, 10A maximum | \$37.20 |
| 398-1073-ND | Evaluation Kit with PCB for 0 - 15A range, 55A maximum | \$37.20 |
| 398-1074-ND | Evaluation Kit with PCB for 0 - 16A range, 30A maximum | \$37.20 |



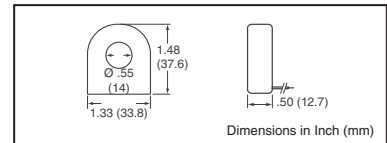
## Current Sensors

### Remote Current Indicators — Model 18-600

CR Magnetics Remote Electrical Current Indicators provides an effective method for remote monitoring of electrical current. When the current exceeds the turn-on point of the sensing transformer, the LED illuminates to indicate the presence of current.

**Specifications:** • Indicating Range: 2.5 - 100 Amps (1-Wire Pass) • Minimum turn-on point: 2.5 Amps • Maximum Cont. Current: 100 Amps

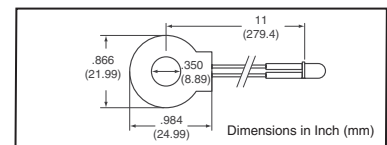
| Digi-Key Part No. | Price Each        | CR Magnetics Part No. |
|-------------------|-------------------|-----------------------|
|                   | 1 10 25           |                       |
| 582-1036-ND       | 34.29 29.15 27.43 | MODEL 18-600          |



### Current Indicators — CR2550 Series

The CR2550 series remote current indicators are designed as a low cost method for providing a visual indication of electrical current flow. **Specifications:** • 20 AAC Maximum, 600 VAC Maximum Rating • 50 - 1kHz Bandwidth

| LED Color | Turn On Point (1 pass) AAC | Digi-Key Part No. | Price Each      | CR Magnetics Part No. |
|-----------|----------------------------|-------------------|-----------------|-----------------------|
|           |                            |                   | 1 10 25         |                       |
| Red       | 0.75                       | 582-1003-ND       | 11.50 8.88 8.36 | CR2550-R              |



## Transducers/Transmitters



**CR4100 Series:** Designed for applications where AC current waveforms are not purely sinusoidal. These devices are ideal in chopped wave and phase fired control systems.

**CR4210 Series:** Calibrated to provide a 0-5VDC and 0-10VDC signal that is proportional to the average RMS input AC current.

**CR4200 Series:** Produces a calibrated 4-20mADC signal that is proportional to the average RMS input AC current. The output signal is generated from a user supplied 24VDC power supply within the output current loop.

**CR4400 Series:** Designed to provide a DC output proportional to the AC current input.

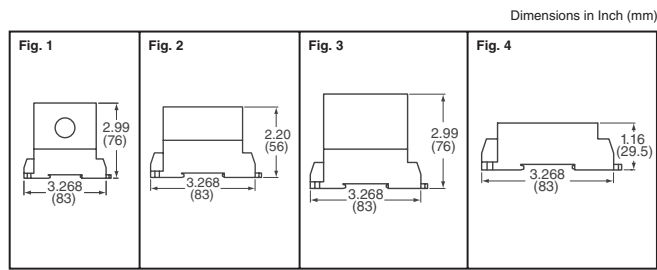
**CR5200 Series:** Designed to provide a DC signal which is proportional to a DC sensed current. The ranges 2-10 Amp utilize an advanced Magnetic Modulator technology and the ranges 20 Amps and above utilize Hall Effect technology.

**CR4500 Series:** Designed for applications where AC voltage waveforms are not purely sinusoidal

**CR5300 Series:** Designed to provide an output DC signal that is proportional to the input DC voltage.

**CR6600 Series:** Designed to give a DC output that is proportional to an input frequency value.

| Fig.  | Output Range | Input Range | Digi-Key Part No.    | Price Each           | CR Magnetics Part No. |
|---|--------------|-------------|----------------------|----------------------|-----------------------|
|   |              |             |                      | 1 10 25              |                       |
| <b>True RMS AC Current Transducers</b>      |              |             |                      |                      |                       |
| 1   | 0-5 VDC      | 0-10 AAC    | 582-1046-ND          | 270.97 232.26 216.78 | CR4110-10             |
|   | 0-5 VDC      | 0-15 AAC    | 582-1047-ND          | 270.97 232.26 216.78 | CR4110-15             |
|   | 0-5 VDC      | 0-20 AAC    | 582-1048-ND          | 270.97 232.26 216.78 | CR4110-20             |
|   | 0-5 VDC      | 0-25 AAC    | 582-1049-ND          | 270.97 232.26 216.78 | CR4110-25             |
|   | 4-20 mADC    | 0-30 AAC    | 582-1050-ND          | 299.76 256.94 239.81 | CR4120-30             |
|   | 4-20 mADC    | 0-40 AAC    | 582-1051-ND          | 299.76 256.94 239.81 | CR4120-40             |
| 4-20 mADC                                   | 0-75 AAC     | 582-1052-ND | 299.76 256.94 239.81 | CR4120-75            |                       |
| <b>Self-Powered AC Current Transducer</b>   |              |             |                      |                      |                       |
| 1   | 0-5 VDC      | 0-50 AAC    | 582-1053-ND          | 151.18 129.59 120.95 | CR4210-50             |
| <b>Loop-Powered AC Current Transmitters</b> |              |             |                      |                      |                       |
| 1   | 4-20 mADC    | 0-5 AAC     | 582-1056-ND          | 134.70 115.46 107.76 | CR4220-5              |
|   | 4-20 mADC    | 0-10 AAC    | 582-1054-ND          | 134.70 115.46 107.76 | CR4220-10             |
|   | 4-20 mADC    | 0-20 AAC    | 582-1055-ND          | 134.70 115.46 107.76 | CR4220-20             |
| <b>Average RMS AC Current Transducers</b>   |              |             |                      |                      |                       |
| 1   | 0-5 VDC      | 0-50 AAC    | 582-1057-ND          | 129.59 111.08 103.67 | CR4410-50             |
|   | 4-20 mADC    | 0-30 AAC    | 582-1058-ND          | 145.79 124.97 116.64 | CR4420-30             |



| Fig.  | Output Range | Input Range | Digi-Key Part No.    | Price Each           | CR Magnetics Part No. |
|---|--------------|-------------|----------------------|----------------------|-----------------------|
|   |              |             |                      | 1 10 25              |                       |
| <b>DC Current Transducers</b>                           |              |             |                      |                      |                       |
| 1   | 0-5 VDC      | 0-2 ADC     | 582-1060-ND          | 149.73 128.34 119.79 | CR5210-2              |
|   | 0-5 VDC      | 0-5 ADC     | 582-1061-ND          | 149.73 128.34 119.79 | CR5210-5              |
|   | 0-5 VDC      | 0-10 ADC    | 582-1059-ND          | 149.73 128.34 119.79 | CR5210-10             |
|   | 4-20 mADC    | 0-2 ADC     | 582-1063-ND          | 178.26 152.79 142.61 | CR5220-2              |
| 4-20 mADC   | 0-10 ADC     | 582-1062-ND | 178.26 152.79 142.61 | CR5220-10            |                       |
| 4-20 mADC   | 0-20 ADC     | 582-1064-ND | 178.26 152.79 142.61 | CR5220-20            |                       |
| <b>True RMS AC Voltage Transducers (Single Phase)</b>   |              |             |                      |                      |                       |
| 2   | 0-5 VDC      | 0-250 ADC   | 582-1065-ND          | 270.97 232.26 216.78 | CR4510-250            |
|   | 4-20 mADC    | 0-150 ADC   | 582-1066-ND          | 299.46 256.68 239.57 | CR4520-150            |
| <b>True RMS AC Voltage Transducer (3-Phase, 3-Wire)</b> |              |             |                      |                      |                       |
| 3   | 0-5 VDC      | 0-150 VAC   | 582-1067-ND          | 477.79 409.53 382.23 | CR4550-150            |
| <b>Frequency Transducers</b>                            |              |             |                      |                      |                       |
| 3   | 0-5 VDC      | 0-100 Hz    | 582-1072-ND          | 154.89 132.77 123.92 | CR6610-100            |
|   | 4-20 mADC    | 0-100 Hz    | 582-1073-ND          | 171.75 147.21 137.40 | CR6620-100            |
| <b>DC Voltage Transducers</b>                           |              |             |                      |                      |                       |
| 4   | 0-5 VDC      | 0-50 VDC    | 582-1069-ND          | 222.53 190.74 178.03 | CR5310-50             |
|   | 0-5 VDC      | 0-200 VDC   | 582-1068-ND          | 222.53 190.74 178.03 | CR5310-200            |
|   | 4-20 mADC    | 0-50 VDC    | 582-1071-ND          | 239.23 205.05 191.38 | CR5320-50             |
|   | 4-20 mADC    | 0-100 VDC   | 582-1070-ND          | 239.23 205.05 191.38 | CR5320-100            |

(Continued)

More Product Available Online: [www.digkey.com](http://www.digkey.com)

Toll-Free: 1-800-344-4539 • Phone 218-681-6674 • Fax: 218-681-3380

(T091) 2495