

Hallogic® Hall Effect Sensors

Fig.	Operate Point* Min. / Typ. / Max. (Gauss - B)	Release Point Min. / Typ. / Max. (Gauss - B)	Hysteresis Typ. / Max. (Gauss - B)	Supply Cur. Typ. / Max. (mA)	Digi-Key Part No.	Price Each 1 100 250	TT Electronics Part No.
1	0/90/180	-100/65/100	25/100	6/9	365-1001-ND	2.67 1.56 1.50	OH090U
	70/-/200	50/-/180	—/—	4/7	365-1003-ND	3.11 1.81 1.74	OHS3140U
	235/300/465	120/235/325	65/200	6/9	365-1036-ND	2.67 1.56 1.50	OH360U
	70/-/350	50/-/330	—/—	4/7	365-1037-ND	3.11 1.81 1.74	OHN3120U

Fig.	Output Current (mA)	Output DC Voltage	Output Rise Typ./Max.	Output Fall Time Typ./Max.	Supply Current Typ./Max. (mA)	Digi-Key Part No.	Price Each 1 100 250	TT Electronics Part No.
2	25	25	0.21/1.00 μs	0.25/1.00 μs	4/7	365-1002-ND	6.74 3.92 3.77	OH8900

Latching

Fig.	Operate Point* Min. / Max. (Gauss - B)	Release Point Min. / Max. (Gauss - B)	Hysteresis Min. (Gauss - B)	Supply Cur. Typ. / Max. (mA)	Digi-Key Part No.	Price Each 1 100 250	TT Electronics Part No.
1	25/170	-170/25	100	4/7	365-1039-ND	2.34 1.36 1.31	OHS3175U

* South pole facing symbolized surface.

HAMLIN Hall Effect Sensors

Hamlin's Hall Effect Sensor technology offers unique design benefits. In applications where high speed switching is required, speeds of up to 10KHz can be reached. The component package is small compared with other sensing technologies and the sensors can be specified with either a digital or analogue output. **Operating Temperature:** -40°C - 100°C

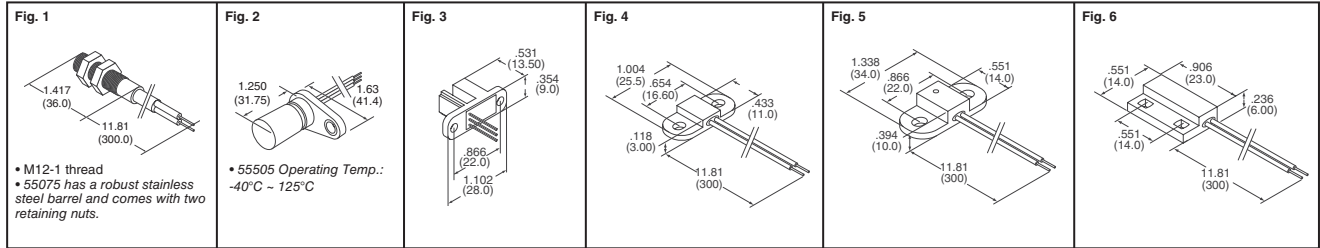


Fig.	Supply Voltage (VDC)	Output Current	Terminal Type	Features	Digi-Key Part No.	Price Each 1 10 50	Hamlin Part No.
1	4.75 - 25.2	20mA	24AWG Wires	Geartooth	55075-00-02-A-ND	21.20 17.74 14.46	55075-00-02-A
2	4.75 - 25.2	20mA	24AWG Wires	Geartooth	55050-00-02-A-ND	21.87 18.51 15.48	55050-00-02-A
3	3.8 - 24	20mA	PC Mount	Ferrous Vane	55085-3M-00-0-ND	8.87 7.51 6.28	55085-3M-00-0
4	3.8 - 24	10mA	24AWG Wires	Mini PNL MNT	55100-3H-02-A-ND	7.22 6.11 5.11	55100-3H-02-A
5	3.8 - 24	10mA	24AWG Wires	LED PNL MNT	55110-3H-02-A-ND	9.52 8.06 6.74	55110-3H-02-A
6	3.8 - 24	20mA	24AWG Wires	Flange MNT	55140-3H-02-A-ND	7.02 5.94 4.97	55140-3H-02-A

Panasonic Hall Effect Sensors

Lower power consumption and higher sensitivity over previous versions.

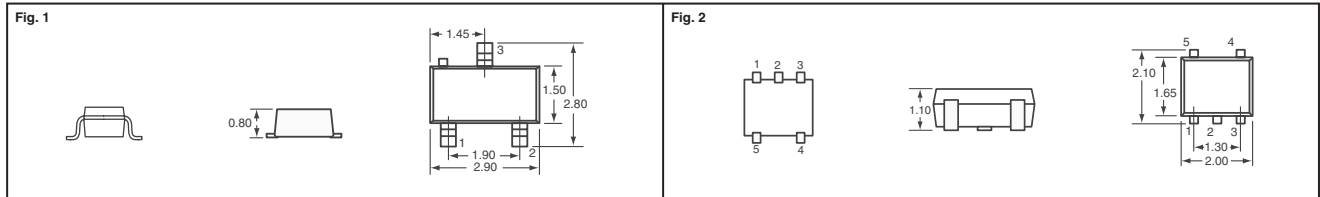


Fig.	Supply Voltage (VDC)	Output Current (mA)	Output Type	Polarity	Package	Digi-Key Part No.	Cut Tape Price Each 1 10 100	Digi-Key Part No.	Tape and Reel Pricing 3,000	Panasonic Part No.
1	2.5 - 3.5	30	Open Drain	Unipolar	Mini-3	AN48800A-NLCT-ND	1.14 .96 .77	AN48800A-NLTR-ND	495.00/M	AN48800A-NL
	2.5 - 3.5	15	Open Drain	Unipolar†	Mini-3	AN48820A-NLCT-ND	1.14 .96 .77	AN48820A-NLTR-ND	495.00/M	AN48820A-NL
2	2.5 - 3.5	15	CMOS	Unipolar	S-Mini-5	AN48810B-NLCT-ND	1.14 .96 .77	AN48810B-NLTR-ND	495.00/M	AN48810B-NL
	2.5 - 3.5	15	CMOS	Unipolar†	S-Mini-5	AN48830B-NLCT-ND	1.33 1.11 .89	AN48830B-NLTR-ND	577.00/M	AN48830B-NL
	2.5 - 3.5	15	CMOS	Bipolar	S-Mini-5	AN48840B-NLCT-ND	1.41 1.18 .94	AN48840B-NLTR-ND	610.00/M	AN48840B-NL
	2.5 - 5.25	—	CMOS	Bipolar	S-Mini-5	AN48841B-NLCT-ND	1.33 1.11 .89	AN48841B-NLTR-ND	577.00/M	AN48841B-NL

† Polarity Independent

MAGNASPHERE® Magnetic Switches

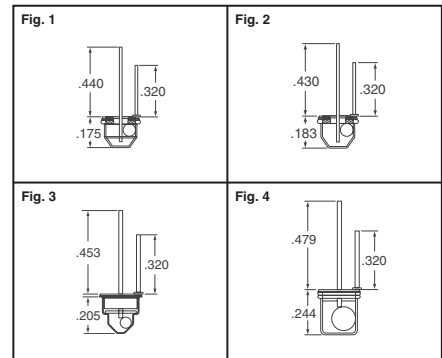
Dimensions in Inches

The patented, award-winning MAGNASPHERE switch represents the first break-through in two-wire magnetic switch technology since the introduction of the reed switch. Originally designed as a replacement for the reed switch used in security systems, the MAGNASPHERE switch exhibits a wide range of characteristics that make it an ideal solution for many industrial and commercial OEM applications.

Features:

- Hermetically sealed contacts
- Magnetic anti-tamper
- High voltage EMI resistance
- Wide operating temperature range
- Intrinsically safe for use in volatile atmospheres
- Available in form A (normally open) and form B (normally closed)

Fig.	Air Gap Distance (Inches)				Digi-Key Part No.	Price Each				Magnaspere Part No.
	NEO 35 Magnet (Typ.)		Ferrous Metal (Typ.)			1	10	25	100	
	Open	Closed	Open	Closed						
Normally Open										
1	1.313	.818	.089	.053	735-1000-ND	6.50	5.00	4.85	4.56	MG-A2-1.5-N
	.897	.652	.061	.034	735-1001-ND	6.50	5.00	4.85	4.56	MG-A2-3.0-N
	.643	.569	.048	.030	735-1002-ND	6.50	5.00	4.85	4.56	MG-A2-5.0-N
2	.713	.577	—	—	735-1003-ND	6.50	5.10	4.95	4.70	MG-A2-5.5-TW
Normally Closed										
3	.626	.916	—	—	735-1004-ND	6.50	5.40	5.25	5.00	MG-B2-20-S
4	.904	.991	.128	.152	735-1005-ND	6.50	5.65	5.50	5.30	MG-B2-6.5-L
	.943	1.015	.116	.138	735-1006-ND	6.50	5.65	5.50	5.30	MG-B2-8.0-L
	.843	.902	.111	.131	735-1007-ND	6.50	5.65	5.50	5.30	MG-B2-10-L



More Product Available Online: www.digkey.com