



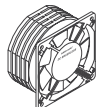
AC Axial Fans



NMB-MAT AC Axial Fans suit a wide range of applications. They force air out in a "funnel" type pattern, and are ideal when cooling a specific area such as a power supply that is surrounded by numerous components with minimum ventilation available.

Size (mm)	Bearing	Voltage	Input Power (W)	Air Flow (CFM)	Noise (dB)	Leads	Digi-Key Part No.	Price Each			NMB Technologies Part No.	Finger Guard	Price Each
								1	5	10			
60x30	Ball	115	4.0	9.18	29	22AWG, 300mm Leads	P12871-ND	17.38	14.95	12.86	2412PS-12W-B30-A00	CR221-ND	.68
80x25	Ball	115	5.0	19.77	33	22AWG, 300mm Leads	P12872-ND	18.20	15.66	13.47	3110PS-12W-B30-A00	CR229-ND	.70
80x38	Ball	115	4.0	18.0	31	.110 Terminal	P12988-ND	16.50	14.19	12.21	3115FS-12T-B00-A00	CR229-ND	.70
		115	4.0	19.4	25	22AWG, 300mm Leads	P12993-ND	17.00	14.62	12.58	3115PS-12W-B10-A00	CR229-ND	.70
		230	6.5	20.0	35	.110 Terminal	P12875-ND	16.50	14.19	12.21	3115FS-23T-B10-A00	CR229-ND	.70
		230	6.5	20.0	35	22AWG, 300mm Leads	P12879-ND	16.50	14.19	12.21	3115FS-23W-B10-A00	CR229-ND	.70
		115	6.0	22.0	36	.110 Terminal	P12873-ND	17.00	14.62	12.58	3115FS-12T-B10-A00	CR229-ND	.70
		115	6.0	22.0	36	22AWG, 300mm Leads	P12877-ND	16.50	14.19	12.21	3115FS-12W-B10-A00	CR229-ND	.70
		230	6.0	26.0	34	.110 Terminal	P12995-ND	17.00	14.62	12.58	3115PS-23T-B20-A00	CR229-ND	.70
		230	6.0	26.0	34	22AWG, 300mm Leads	P12998-ND	17.00	14.62	12.58	3115PS-23W-B20-A00	CR229-ND	.70
		115	7.0	27.0	40	.110 Terminal	P12989-ND	16.50	14.19	12.21	3115FS-12T-B20-A00	CR229-ND	.70
		115	7.0	27.0	40	22AWG, 300mm Leads	P12990-ND	16.50	14.19	12.21	3115FS-12W-B20-A00	CR229-ND	.70
		115	7.0	31.77	38	.110 Terminal	P12881-ND	17.00	14.62	12.58	3115PS-12T-B30-A00	CR229-ND	.70
		115	8.5	32.0	44	.110 Terminal	P12874-ND	17.00	14.62	12.58	3115FS-12T-B30-A00	CR229-ND	.70
		115	8.5	32.0	44	22AWG, 300mm Leads	P12878-ND	17.00	14.62	12.58	3115FS-12W-B30-A00	CR229-ND	.70
		115	7.0	32.0	38	22AWG, 300mm Leads	P12882-ND	17.00	14.62	12.58	3115PS-12W-B30-A00	CR229-ND	.70
		230	8.0	32.0	38	.110 Terminal	P12996-ND	17.00	14.62	12.58	3115PS-23T-B30-A00	CR229-ND	.70
		230	8.0	32.0	38	22AWG, 300mm Leads	P12999-ND	17.00	14.62	12.58	3115PS-23W-B30-A00	CR229-ND	.70
		230	8.0	33.0	44	.110 Terminal	P12876-ND	17.00	14.62	12.58	3115FS-23T-B30-A00	CR229-ND	.70
		230	8.0	33.0	44	22AWG, 300mm Leads	P12880-ND	17.00	14.62	12.58	3115FS-23W-B30-A00	CR229-ND	.70
92x25	Ball	115	6.0	20.0	25	.110 Terminal	P13100-ND	18.63	16.02	13.79	3610PS-12T-B10-A00	CR220-ND	.77
		115	6.0	20.0	25	22AWG, 300mm Leads	P13102-ND	18.63	16.02	13.79	3610PS-12W-B10-A00	CR220-ND	.77
		230	6.0	20.0	26	.110 Terminal	P13103-ND	18.63	16.02	13.79	3610PS-23T-B10-A00	CR220-ND	.77
		115	6.0	28.0	35	.110 Terminal	P13101-ND	18.63	16.02	13.79	3610PS-12T-B20-A00	CR220-ND	.77
		230	6.0	28.0	35	.110 Terminal	P13104-ND	18.63	16.02	13.79	3610PS-23T-B20-A00	CR220-ND	.77
		115	9.0	34.5	38	22AWG, 300mm Leads	P12884-ND	18.63	16.02	13.79	3610PS-12W-B30-A00	CR220-ND	.77
119x25	Ball	230	10.0	34.5	39	22AWG, 300mm Leads	P12886-ND	18.63	16.02	13.79	3610PS-23W-B30-A00	CR220-ND	.77
		115	9.0	34.6	38	.110 Terminal	P12883-ND	18.63	16.02	13.79	3610PS-12T-B30-A00	CR220-ND	.77
		230	10.0	34.6	39	.110 Terminal	P12885-ND	18.63	16.02	13.79	3610PS-23T-B30-A00	CR220-ND	.77
119x38	Ball	115	7.0	53.0	30	.110 Terminal	P12887-ND	17.25	14.84	12.77	4710PS-12T-B20-A00	CR224-ND	.91
		230	8.0	53.0	30	.110 Terminal	P12889-ND	17.25	14.84	12.77	4710PS-23T-B20-A00	CR224-ND	.91
		115	11.0	70.6	38	.110 Terminal	P12888-ND	17.25	14.84	12.77	4710PS-12T-B30-A00	CR224-ND	.91
		230	11.0	70.6	38	.110 Terminal	P12890-ND	17.25	14.84	12.77	4710PS-23T-B30-A00	CR224-ND	.91
119x38	Ball	115	5.5	49.4	28	.110 Terminal	P12891-ND	16.58	14.26	12.27	4715MS-12T-B10-A00	CR224-ND	.91
		230	7.5	67.0	30	.110 Terminal	P13110-ND	16.58	14.26	12.27	4715MS-23T-B20-A00	CR224-ND	.91
		115	7.0	67.1	30	.110 Terminal	P12892-ND	16.58	14.26	12.27	4715MS-12T-B20-A00	CR224-ND	.91
		115	10.0	70.0	33	.110 Terminal	P12895-ND	16.58	14.26	12.27	4715FS-12T-B10-D00	CR224-ND	.91
		230	9.0	70.0	70	.110 Terminal	P12897-ND	16.88	14.52	12.49	4715FS-23T-B10-D00	CR224-ND	.91
		230	11.0	88.2	37	.110 Terminal	P13111-ND	16.58	14.26	12.27	4715MS-23T-B30-A00	CR224-ND	.91
		115	14.5	102	41	.110 Terminal	P12893-ND	16.58	14.26	12.27	4715MS-12T-B50-A00	CR224-ND	.91
		115	13.0	95.0	39	.110 Terminal	P13109-ND	16.58	14.26	12.27	4715MS-12T-B40-A00	CR224-ND	.91
		230	13.0	95.0	39	.110 Terminal	P13112-ND	16.58	14.26	12.27	4715MS-23T-B40-A00	CR224-ND	.91
		115	14.0	100.0	42	.110 Terminal	P13107-ND	16.58	14.26	12.27	4715FS-12T-B40-D00	CR224-ND	.91
		230	14.0	100.0	100	.110 Terminal	P13108-ND	16.88	14.52	12.49	4715FS-23T-B40-D00	CR224-ND	.91
		115	14.0	102.4	41	.110 Terminal	P12894-ND	16.58	14.26	12.27	4715MS-23T-B50-A00	CR224-ND	.91
150x172x38	Ball	115	32.0	21.2	56	.110 Terminal	P12899-ND	52.88	45.48	39.13	5915PC-12T-B30-A00	CR191-ND	2.48
		230	35.0	21.2	56	.110 Terminal	P12900-ND	52.88	45.48	39.13	5915PC-23T-B30-A00	CR191-ND	2.48
		230	18.0	102.3	38	.110 Terminal	P13113-ND	52.88	45.48	39.13	5915PC-23T-B10-A00	CR191-ND	2.48

DC Fans FBL Series



Features:

- Lowered design increases air flow and decreases turbulent noise at standard rating conditions
- Hydro-Wave Bearing Technology

Specifications:

- Operating Temperature: -10°C ~ 70°C (65%RH)
- Plastic Rating: All Panaflo fans are manufactured with a UL94V-0 plastic (flammability)

- Noise Data: The noise data is measured at 1 meter from the air intake side of the fan suspended in a semi-anechoic chamber (background noise 13dB-A maximum)
- Life Expectancy: 50,000 hours (40°C, 65%RH)

Operating Voltage (VDC)		Dim. (mm)	Input Power (W)	Max. Air Flow (CFM)	Max. Air Pressure (mmH ₂ O)	Max. Noise (dB-A)	Lead Length (mm)	Digi-Key Part No.	Price Each				NMB Technologies Part No.	Finger Guards	Price Each	
Nom.	Range								1	5	10	100				
12	7-13.5	60 x 25.5	3.24	15.89	4.7	42.0	315	P10893-ND	9.18	7.89	6.79	6.10	5.51	FBL06A12U1A	CR221-ND	.68
12	7-13.8	60 x 25.5	2.64	14.83	4.1	36.0	315	P10892-ND	9.18	7.89	6.79	6.10	5.51	FBL06A12H1A	CR221-ND	.68
12	7-13.8	60 x 25.5	2.04	13.06	3.0	32.0	315	P10891-ND	9.18	7.89	6.79	6.10	5.51	FBL06A12M1A	CR221-ND	.68
12	7-13.8	60 x 25.5	1.68	14.83	2.1	29.0	315	P10890-ND	9.18	7.89	6.79	6.10	5.51	FBL06A12L1A	CR221-ND	.68
24	14-27.6	60 x 25.5	3.24	15.89	4.7	42.0	315	P11017-ND	8.75	7.53	6.48	5.81	5.25	FBL06A24U1A	CR221-ND	.68
24	14-27.6	60 x 25.5	1.68	14.83	2.1	29.0	315	P11014-ND	9.18	7.89	6.79	6.10	5.51	FBL06A24L1A	CR221-ND	.68
12	7-13.5	80 x 25.5	4.32	35.31	4.7	42.0	300	P11082-ND	9.25	7.96	6.85	6.15	5.55	FBL08A12U1BX	CR180-ND	.93
12	7-13.8	80 x 25.5	4.32	35.31	4.0	42.0	300	P10897-ND	9.18	7.89	6.79	6.10	5.51	FBL08A12U1A	CR180-ND	.93
12	7-13.8	80 x 25.5	3.00	30.01	2.9	39.0	300	P10896-ND	9.18	7.89	6.79	6.10	5.51	FBL08A12H1A	CR180-ND	.93
12	7-13.8	80 x 25.5	2.04	24.71	2.0	33.0	300	P10895-ND	9.18	7.89	6.79	6.10	5.51	FBL08A12M1A	CR180-ND	.93
24	14-27.6	80 x 25.5	2.04	24.71	2.0	33.0	300	P11019-ND	9.18	7.89	6.79	6.10	5.51	FBL08A24M1A	CR180-ND	.93
12	7-13.5	92 x 25.5	3.48	45.89	3.3	40.0	295	P10900-ND	9.18	7.89	6.79	6.10	5.51	FBL09A12H1A	CR220-ND	.77
12	7-13.5	92 x 25.5	3.48	45.9	3.3	40.0	295	P11083-ND	9.25	7.96	6.85	6.15	5.55	FBL09A12H1BX	CR220-ND	.77
12	7-13.8	92 x 25.5	2.40	35.30	2.3	36.0	295	P10899-ND	9.18	7.89	6.79	6.10	5.51	FBL09A12M1A	CR220-ND	.77
24	14-27.6	92 x 25.5	6.60	54.70	4.4	47.0	295	P11025-ND	9.18	7.89	6.79	6.10	5.51	FBL09A24U1A	CR220-ND	.77
24	14-27.6	92 x 25.5	6.60	54.70	4.4	47.0	295	P11092-ND	9.25	7.96	6.85	6.15	5.55	FBL09A24U1BX	CR220-ND	.77
24	14-27.6	92 x 25.5	2.40	35.30	2.3	36.0	295	P11023-ND	9.18	7.89	6.79	6.10	5.51	FBL09A24M1A	CR220-ND	.77
12	7-13.8	120 x 38	7.20	81.19	5.2	46.0	280	P10904-ND	28.25	24.30	20.91	18.76	16.95	FBL12G12H1A	CR210-ND	1.72
24	14-27.6	120 x 38	7.20	81.19	5.2	46.0	280	P11028-ND	28.25	24.30	20.91	18.76	16.95	FBL12G24H1A	CR210-ND	1.72
24	14-27.6	120 x 38	5.40	67.07	3.6	41.0	280	P11027-ND	28.25	24.30	20.91	18.76	16.95	FBL12G24M1A	CR210-ND	1.72
24	14-27.6	120 x 38	2.88	52.95	2.3	35.0	280	P11026-ND	28.25	24.30	20.91	18.76	16.95	FBL12G24L1A	CR210-ND	1.72

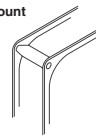
◆ RoHS Compliant Manufacturer Part Number Ending Code: A - Standard; BX - 2 PPR Speed Sensor (TAC Output)



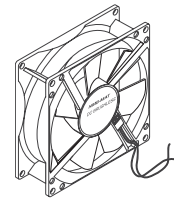
DC Axial Fans



Rib Mount Type:



Flange Mount Type:



NMB-MAT combines the Panasonic Panaflo and NMB fan product lines. NMB-MAT offers a comprehensive line of cooling products, including AC and DC axial fans and blowers ranging from 25mm to 172mm in diameter. NMB-MAT leverages its expertise to develop and produce superior cooling fans and blowers.

Specifications: • Operating Temperature: -10°C – 60/70°C by model (65%RH)

Features: • Aerodynamic blade and venturi design • They are ideal when cooling a specific area that is surrounded by numerous components with minimum ventilation available.

Please Note: Custom Fan Cable Assemblies available upon request.

Dimensions mm	Operating Voltage (VDC)		Input Power (W)	Max. Air Flow (CFM)	Max. Air Pressure (In H ₂ O)	Max. Noise (dB-A)	Lead Length (mm)	Bearing	Sensors	Mount Type	Digi-Key Part No.	Price Each		NMB Technologies Part No.	Finger Guards	Price Each	
	Nom.	Range										5	10				
25x10	5	4.5 - 5.5	0.625	2.0	.20	25.0	200	Ball	—	Rib	P12806-ND	14.53	12.50	10.75	1004KL-01W-B50-800	CR181-ND	.54
	12	8 - 13.8	0.72	2.0	.20	25.0	200	Ball	—	Rib	P12807-ND	14.53	12.50	10.75	1004KL-04W-B50-800	CR181-ND	.54
	12	8 - 13.8	0.72	2.0	.20	25.0	200	Ball	Lock Rotor	Rib	P13383-ND	14.20	12.22	10.51	1004KL-04W-B59-800	CR181-ND	.54
30x10	5	4.5 - 5.5	0.90	3.8	.216	27.0	200	Ball	—	Rib	P12808-ND	14.83	12.75	10.98	1204KL-01W-B50-800	CR377-ND	.64
	5	4.5 - 5.5	0.90	3.8	.216	27.0	200	Ball	Lock Rotor	Rib	P13384-ND	14.75	12.69	10.92	1204KL-01W-B59-800	CR377-ND	.64
	12	6 - 13.8	0.96	3.8	.216	27.0	200	Ball	—	Rib	P12809-ND	14.83	12.75	10.98	1204KL-04W-B50-800	CR377-ND	.64
35x10	5	4.5 - 5.5	1.05	5.6	.16	27.0	200	Ball	—	Rib	P12810-ND	14.83	12.75	10.98	1404KL-01W-B50-800	CR378-ND	.66
	5	4.5 - 5.5	1.05	5.6	.16	27.0	200	Ball	Tac	Rib	P13386-ND	14.38	12.37	10.64	1404KL-01W-B59-850	CR378-ND	.66
	12	8 - 13.8	0.96	5.6	.16	27.0	200	Ball	—	Rib	P12811-ND	14.83	12.75	10.98	1404KL-04W-B50-800	CR378-ND	.66
40x10	5	4.5 - 5.5	0.775	6.0	.184	29.0	200	Ball	—	Rib	P12812-ND	11.83	10.17	8.76	1604KL-01W-B50-800	CR230-ND	.65
	5	4.5 - 5.5	0.775	6.0	.184	29.0	200	Ball	Lock Rotor	Rib	P13388-ND	12.45	10.71	9.22	1204KL-01W-B59-800	CR230-ND	.65
	12	10.2 - 13.8	0.876	5.3	.136	25.0	200	Ball	—	Rib	P12813-ND	11.83	10.17	8.76	1604KL-04W-B40-800	CR230-ND	.65
40x15	5	4.5 - 5.5	0.600	6.0	.145	28.0	200	Ball	—	Rib	P12814-ND	11.83	10.17	8.76	1606KL-01W-B30-L00	CR230-ND	.65
	5	4.5 - 5.5	1.20	8.12	.252	34.0	200	Ball	—	Rib	P12815-ND	11.83	10.17	8.76	1606KL-01W-B50-L00	CR230-ND	.65
	12	10.2 - 13.8	0.804	6.0	.145	28.0	200	Ball	Lock Rotor	Rib	P13390-ND	12.45	10.71	9.22	1606KL-01W-B59-L00	CR230-ND	.65
40x20	5	4.5 - 5.5	0.804	6.0	.145	28.0	200	Ball	—	Rib	P12816-ND	11.83	10.17	8.76	1606KL-04W-B30-L00	CR230-ND	.65
	12	10.2 - 13.8	1.02	8.12	.252	34.0	200	Ball	—	Rib	P12817-ND	11.83	10.17	8.76	1606KL-04W-B50-L00	CR230-ND	.65
	24	22.0 - 25.2	1.488	8.1	.252	34.0	200	Ball	Lock Rotor	Rib	P13391-ND	12.45	10.71	9.22	1606KL-04W-B59-L00	CR230-ND	.65
40x25	5	4.5 - 5.5	0.35	4.9	.08	20.0	200	Ball	—	Rib	P12818-ND	12.18	10.47	9.01	1608KL-01W-B10-L00	CR230-ND	.65
	5	4.5 - 5.5	0.60	6.0	.12	22.5	200	Ball	—	Rib	P13576-ND	12.18	10.47	9.01	1608KL-01W-B20-L00	CR230-ND	.65
	5	4.5 - 5.5	1.35	8.4	.21	29.0	200	Ball	—	Rib	P13577-ND	12.18	10.47	9.01	1608KL-01W-B40-L00	CR230-ND	.65
40x25	5	4.5 - 5.5	1.90	9.5	.28	33.0	200	Ball	—	Rib	P12819-ND	12.18	10.47	9.01	1608KL-01W-B50-L00	CR230-ND	.65
	5	4.5 - 5.5	1.90	9.5	.28	33.0	200	Ball	Lock Rotor	Rib	P13393-ND	12.45	10.71	9.22	1608KL-01W-B59-L00	CR230-ND	.65
	12	10.2 - 13.8	0.48	4.9	.08	20.0	200	Ball	—	Rib	P12820-ND	12.18	10.47	9.01	1608KL-04W-B10-L00	CR230-ND	.65
40x25	12	10.2 - 13.8	0.72	6.0	.12	22.5	200	Ball	—	Rib	P13578-ND	12.18	10.47	9.01	1608KL-04W-B20-L00	CR230-ND	.65
	12	10.2 - 13.8	0.72	6.0	.12	22.5	200	Ball	Lock Rotor	Rib	P13579-ND	12.80	11.01	9.48	1608KL-04W-B29-L00	CR230-ND	.65
	12	10.2 - 13.8	0.84	7.4	.17	25.5	200	Ball	—	Rib	P13580-ND	12.18	10.47	9.01	1608KL-04W-B30-L00	CR230-ND	.65
40x25	12	10.2 - 13.8	1.08	8.4	.21	29.0	200	Ball	—	Rib	P13581-ND	12.18	10.47	9.01	1608KL-04W-B40-L00	CR230-ND	.65
	12	10.2 - 13.8	1.08	8.4	.21	29.0	200	Ball	Lock Rotor	Rib	P13582-ND	12.45	10.71	9.22	1608KL-04W-B49-L00	CR230-ND	.65
	12	10.2 - 13.8	1.32	9.5	.28	33.0	200	Ball	—	Rib	P12821-ND	12.18	10.47	9.01	1608KL-04W-B50-L00	CR230-ND	.65
40x25	12	10.2 - 13.8	1.32	9.5	.28	33.0	200	Ball	Lock Rotor	Rib	P13394-ND	12.45	10.71	9.22	1608KL-04W-B59-L00	CR230-ND	.65
	24	20.0 - 25.2	0.96	4.9	.08	20.0	200	Ball	—	Rib	P12822-ND	12.18	10.47	9.01	1608KL-05W-B10-L00	CR230-ND	.65
	24	20.0 - 25.2	1.68	8.4	.21	29.0	200	Ball	—	Rib	P13585-ND	12.18	10.47	9.01	1608KL-05W-B40-L00	CR230-ND	.65
40x25	24	20.0 - 25.2	1.92	9.5	.28	33.0	200	Ball	—	Rib	P12823-ND	12.18	10.47	9.01	1608KL-05W-B50-L00	CR230-ND	.65
	24	20.0 - 25.2	1.92	9.5	.28	33.0	200	Ball	Lock Rotor	Rib	P13395-ND	12.80	11.01	9.48	1608KL-05W-B59-L00	CR230-ND	.65
	5	4.5 - 6.0	1.50	10.2	.14	34.0	200	Ball	—	Rib	P12824-ND	12.78	10.99	9.46	2004KL-01W-B50-800	CR379-ND	.86
50x10	5	4.5 - 6.0	1.50	10.2	.14	34.0	200	Ball	Lock Rotor	Rib	P13396-ND	13.40	11.53	9.92	2004KL-01W-B59-800	CR379-ND	.86
	12	10.2 - 13.8	1.20	10.2	.14	34.0	200	Ball	—	Rib	P12825-ND	12.78	10.99	9.46	2004KL-04W-B50-800	CR379-ND	.86
	12	10.2 - 13.8	1.20	10.2	.14	34.0	200	Ball	Lock Rotor	Rib	P13397-ND	12.45	10.71	9.22	2004KL-04W-B59-800	CR379-ND	.86
52x15	12	10.2 - 13.0	1.56	14.1	.14	30.0	200	Ball	—	Rib	P12826-ND	12.28	10.56	9.09	2106KL-04W-B50-L00	CR388-ND	.59
	12	10.2 - 13.0	1.56	14.1	.14	30.0	200	Ball	Lock Rotor	Rib	P13398-ND	12.00	10.32	8.88	2106KL-04W-B59-L00	CR388-ND	.59
	12	7.0 - 13.8	0.48	6.7	.03	19.0	200	Ball	—	Rib	P12827-ND	11.58	9.96	8.57	2406KL-04W-B10-L00	CR221-ND	.68
60x15	12	6.0 - 13.8	1.08	14.1	.13	28.0	200	Ball	—	Rib	P13494-ND	11.58	9.96	8.57	2406KL-04W-B30-L00	CR221-ND	.68
	12	6.0 - 13.8	1.08	14.1	.13	28.0	200	Ball	Lock Rotor	Rib	P13495-ND	12.20	10.50	9.03	2406KL-04W-B39-L00	CR221-ND	.68
	12	6.0 - 13.8	1.92	18.3	.20	34.0	200	Ball	—	Rib	P12828-ND	11.58	9.96	8.57	2406KL-04W-B50-L00	CR221-ND	.68
60x15	12	6.0 - 13.8	1.92	18.3	.20	34.0	200	Ball	Lock Rotor	Rib	P13399-ND	12.20	10.50	9.03	2406KL-04W-B59-L00	CR221-ND	.68
	24	12.0 - 27.6	1.44	14.1	.13	28.0	200	Ball	—	Rib	P13496-ND	11.58	9.96	8.57	2406KL-05W-B30-L00	CR221-ND	.68
	24	10.0 - 27.6	2.40	18.3	.20	34.0	200	Ball	—	Rib	P12829-ND	11.58	9.96	8.57	2406KL-05W-B50-L00	CR221-ND	.68
60x20	14	14 - 27.6	1.99	16.6	.187	32.0	325	Hydrowave	—	Rib	P9727-ND	10.00	8.60	7.40	FBA06T24H	CR221-ND	.68
	12	6.0 - 13.8	0.60	10.9	.07	22.5	300	Ball	—	Rib	P12830-ND	11.83	10.17	8.76	2408NL-04W-B10-L00	CR221-ND	.68
	12	6.0 - 13.8	1.32	17.6	.16	31.5	300	Ball	—	Rib	P12831-ND	11.83	10.17	8.76	2408NL-04W-B50-L00	CR221-ND	.68
60x20	12	6.0 - 13.8	1.32	17.6	.16	31.5	300	Ball	Lock Rotor	Rib	P13400-ND	12.45	10.71	9.22	2408NL-04W-B59-L00	CR221-ND	.68
	12	6.0 - 13.8	1.32	17.6	.16	31.5	300	Ball	Lock Rotor	Flange	P13402-ND	12.45	10.71	9.22	2408NL-04W-B59-P00	CR221-ND	.68
	24	15.0 - 27.6	1.20	15.9	.13	29.0	300	Ball	—	Rib	P12832-ND	11.83	10.17	8.76	2408NL-05W-B40-L00	CR221-ND	.68
60x25	24	15.0 - 27.6	1.32	17.6	.16	31.5	300	Ball	Lock Rotor	Rib	P13401-ND	11.88	10.22	8.79	2408NL-05W-B59-L00	CR221-ND	.68
	12	6.0 - 13.8	0.90	13.7	.08	23.0	300	Ball	—	Rib	P12833-ND	11.38	9.79	8.42	2410ML-04W-B10-B00	CR221-ND	.68
	12	6.0 - 13.8	2.04	21.5	.20	33.5	300	Ball	—	Rib	P12834-ND	11.38	9.79	8.42	2410ML-04W-B40-B00	CR221-ND	.68
60x25	12	6.0 - 13.8	1.80	24.0	.20	33.5	300	Ball	Lock Rotor	Rib	P13403-ND	8.08	6.95	5.98	2410RL-04W-B59-C00	CR221-ND	.68
	12	6.0 - 13.8	3.24	28.5	.27	38.0	300	Ball	Lock Rotor	Rib	P13404-ND	8.08	6.95	5.98	2410RL-04W-B79-C00	CR221-ND	.68
	12	6.0 - 13.2	6.20	37.0	.57	46.0	300	Ball	Tac	Flange	P13406-ND	13.25	11.40	9.81	2410ML-04W-B89-E50	CR221-ND	.68
60x25	24	10.0 - 27.6	2.40	23.3	.25	36.5	300	Ball	—	Rib	P12835-ND	1					



DC Axial Fans (Cont.)

Table with columns: Dimensions mm, Operating Voltage (VDC), Input Power (W), Max. Air Flow (CFM), Max. Air Pressure (In H2O), Max. Noise (dB-A), Lead Length (mm), Bearing, Sensors, Mount Type, Digi-Key Part No., Price Each (1, 5, 10), MMB Technologies Part No., Finger Guards, Price Each.

◆ RoHS Compliant

(Continued)

More Product Available Online: www.digkey.com

Toll-Free: 1-800-344-4539 • Phone 218-681-6674 • Fax: 218-681-3380

2356 (T091)





DC Axial Fans (Cont.)

Dimensions mm	Nom.	Operating Voltage (VDC)		Input Power (W)	Max. Air Flow (CFM)	Max. Air Pressure (in H ₂ O)	Max. Noise (dB-A)	Lead Length (mm)	Bearing	Sensors	Mount Type	Digi-Key Part No.	Price Each			NMB Technologies Part No.	Finger Guards	Price Each
		Range											1	5	10			
119x38	12	6.0 - 13.8	6.60	108.0	.27	42.5	300	Ball	—	Flange	P12857-ND	20.18	17.35	14.93	4715KL-04W-B30-P00	CR210-ND	1.72	
	12	6.0 - 13.8	8.40	118.0	.33	46.5	300	Ball	—	Flange	P12858-ND	20.18	17.35	14.93	4715KL-04W-B40-P00	CR210-ND	1.72	
	12	8.0 - 13.2	17.50	162.0	.69	56.5	300	Ball	—	Flange	P12862-ND	53.48	45.99	39.58	4715SL-04W-B50-D00	CR210-ND	1.72	
	12	9.5 - 12.6	12.0	129.9	.44	50.0	300	Ball	Lock Rotor	Flange	P13424-ND	20.80	17.89	15.40	4715KL-04W-B59-P00	CR210-ND	1.72	
	12	8.0 - 12.9	23.0	181.0	.85	59.5	300	Ball	Lock Rotor	Flange	P13427-ND	54.10	46.53	40.04	4715SL-04W-B69-D00	CR210-ND	1.72	
	24	10.0 - 27.6	7.44	108.0	.27	42.5	300	Ball	—	Flange	P12859-ND	20.18	17.35	14.93	4715KL-05W-B30-P00	CR210-ND	1.72	
	24	10.0 - 27.6	8.40	118.0	.33	46.5	300	Ball	—	Flange	P12860-ND	20.18	17.35	14.93	4715KL-05W-B40-P00	CR210-ND	1.72	
	24	15.0 - 27.6	17.80	162.0	.69	56.5	300	Ball	—	Flange	P12863-ND	53.48	45.99	39.58	4715SL-05W-B50-D00	CR210-ND	1.72	
	24	18.0 - 25.0	12.0	130.0	.44	50.0	300	Ball	Lock Rotor	Flange	P13425-ND	20.80	17.89	15.40	4715KL-05W-B59-P00	CR210-ND	1.72	
	48	25.0 - 55.2	7.68	108.0	.27	42.5	300	Ball	—	Flange	P12861-ND	20.18	17.35	14.93	4715KL-07W-B30-P00	CR210-ND	1.72	
	48	30.0 - 50.4	39.84	201.0	1.04	62.3	300	Ball	Lock Rotor	Flange	P13430-ND	66.13	56.87	48.94	4715SL-07W-B79-D00	CR210-ND	1.72	
	120x38	12	7 - 13.8	7.80	114.7	.315	45.5	280	Hydrowave	—	Flange	P9761-ND	18.55	15.96	13.73	FBA12G12U1A	CR210-ND	1.72
12		7 - 13.8	5.52	103.8	.267	41.5	280	Hydrowave	—	Rib	P9750-ND	18.55	15.96	13.73	FBA12G12H1A	CR210-ND	1.72	
12		7 - 13.8	5.52	103.8	.267	41.5	280	Hydrowave	—	Rib	P11048-ND	18.55	15.96	13.73	FBA12G12H1AZ	CR210-ND	1.72	
12		7 - 13.8	5.52	103.8	.267	41.5	280	Hydrowave	Tac	Flange	P11050-ND	18.63	16.02	13.79	FBA12G12H1BX	CR210-ND	1.72	
12		7 - 13.8	4.08	86.5	.189	35.5	280	Hydrowave	—	Flange	P9749-ND	18.55	15.96	13.73	FBA12G12M1A	CR210-ND	1.72	
12		7 - 13.8	2.16	68.9	.130	30.0	280	Hydrowave	—	Flange	P9748-ND	18.55	15.96	13.73	FBA12G12L1A	CR210-ND	1.72	
24		14 - 27.6	5.52	103.8	.267	41.5	280	Hydrowave	—	Flange	P9753-ND	18.55	15.96	13.73	FBA12G24H1A	CR210-ND	1.72	
24		14 - 27.6	5.52	103.8	.267	41.5	280	Hydrowave	Tac	Flange	P11080-ND	18.63	16.02	13.79	FBA12G24H1BX	CR210-ND	1.72	
24		14 - 27.6	3.84	86.5	.189	35.5	280	Hydrowave	—	Flange	P9752-ND	18.55	15.96	13.73	FBA12G24M1A	CR210-ND	1.72	
24		14 - 27.6	2.64	68.9	.130	30.0	280	Hydrowave	—	Flange	P9751-ND	18.55	15.96	13.73	FBA12G24L1A	CR210-ND	1.72	
150x172x25		12	6.0 - 18.0	24.7	250	.65	62.5	400	Ball	—	Rib	P12866-ND	76.63	65.90	56.71	5910PL-04W-B50-L00	CR191-ND	2.48
		24	12.0 - 30.0	24.0	250.0	.65	62.5	400	Ball	—	Rib	P12865-ND	76.63	65.90	56.71	5910PL-05W-B50-L00	CR191-ND	2.48
	24	12.0 - 30.0	24.0	250.0	.65	62.5	400	Ball	Tac	Rib	P13431-ND	77.25	66.44	57.17	5910PL-05W-B59-L50	CR191-ND	2.48	
	48	25.0 - 60.0	35.5	290.0	.89	65.4	400	Ball	Lock Rotor	Rib	P13432-ND	77.25	66.44	57.17	5910PL-07W-B79-L00	CR191-ND	2.48	
150x172x50	12	6.0 - 18.0	17.28	240	.62	58.0	300	Ball	—	Flange	P12866-ND	76.70	65.97	56.76	5920PL-04W-B40-D00	CR191-ND	2.48	
	12	6.0 - 18.0	17.28	240.0	.62	58.0	300	Ball	Tac	Flange	P13433-ND	77.33	66.50	57.23	5920PL-04W-B49-D50	CR191-ND	2.48	
	24	12.0 - 30.0	15.84	240	.62	58.0	300	Ball	—	Flange	P12867-ND	76.70	65.97	56.76	5920PL-05W-B40-D00	CR191-ND	2.48	
	24	12.0 - 30.0	15.84	240.0	.62	58.0	300	Ball	Tac	Flange	P13434-ND	77.33	66.50	57.23	5920PL-05W-B49-D50	CR191-ND	2.48	
	48	25.0 - 60.0	24.48	300.0	.90	63.2	300	Ball	Tac	Flange	P13435-ND	77.33	66.50	57.23	5920PL-07W-B79-D50	CR191-ND	2.48	
	12	6.0 - 18.0	17.28	240	.62	58.0	300	Ball	—	Flange	P12868-ND	76.70	65.97	56.76	6820PL-04W-B40-D00	CR196-ND	3.02	
172x50	24	12.0 - 30.0	15.84	240	.62	58.0	300	Ball	—	Flange	P12869-ND	76.70	65.97	56.76	6820PL-05W-B40-D00	CR196-ND	3.02	
	48	25.0 - 60.0	15.84	240	.62	58.0	300	Ball	—	Flange	P12870-ND	76.70	65.97	56.76	6820PL-07W-B40-D00	CR196-ND	3.02	

◆ RoHS Compliant

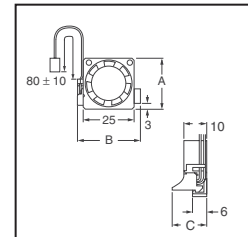
DC Fans UDQ Series

SPECIFICATIONS:

• Operating Temperature: 0°C - 70°C • Operating Humidity: <85 Rh% • Operating Voltage (VDC): Nom: 5, Range: 3.1 - 5.5 • Life Expectancy (Hrs @ 60°C): 30,000

Note: Not for New Design

Dimensions mm	A	B	C	Current @ 60°C (mA)	Speed @ 60°C (r/min)	Max Air Flow @ 60°C (m3/min.) (CFM)	Max Air Pressure @ 60°C (Pa) (in H ₂ O)	Noise @ 1M dBA	Digi-Key Part No.	Price Each					NMB Technologies Part No.	
										1	5	10	50	100		
25	25	10	40	7,800	0.040	1.41	24	0.10	17	P11093-ND	13.75	11.83	10.18	9.13	8.25	UDQF6M01CP1
30	30	10	50	6,000	0.065	2.29	17	0.07	18	P11094-ND	13.75	11.83	10.18	9.13	8.25	UDQF6M01P1

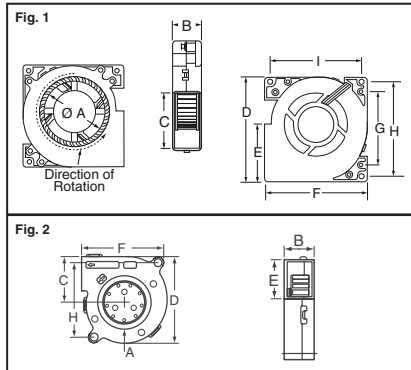


DC Blowers



NMB-MAT DC Blowers are most suitable for cooling in high back pressure applications. Since the fan impeller is housed inside a rugged plastic enclosure, the blower is not affected by high back pressure caused by objects in close proximity to the exhaust port.

Specifications: • Operating Temperature: -10°C - 60°C • Storage Temperature: -40°C - 75°C • Blowers with Hydro-Wave and Ball Bearing Technology



Model Type	Dimensions - mm								
	A	B	C	D	E	F	G	H	I
FAL-6F	65.8	28.1	55.7	60.7	107.1	76	99	97	—
FAL-5F	50	28	37	76	41	76	47	68	68
FAL-3F	33.2	20	26.8	50	26.8	50	29.6	43	43
BM5115	32	15	27	51	20	51	—	43	—
BM5125	32	25	27	51	20	51	—	43	—
BM6015	—	15	32	60	30	60	—	23	—
BG0702	—	25	39.9	75.7	39.9	75.7	—	67.1	—
BG0703	—	30	39.9	75.7	39.9	75.7	—	67.1	—
BG0903	—	33	58	93.5	53	97	—	71	—
BG1203	—	32	55	120	61	120	—	105	90

Fig.	Nom.	Operating Voltage (VDC)		Input Current (mA)	Power (W)	Air Flow CFM	Static Pressure in H ₂ O	Noise	Digi-Key Part No.	Price Each			NMB Technologies Part No.
		Range								1	5	10	
1	12	7-13.8	500	6.00	22.97	0.71	45	45	P9754-ND	30.68	26.38	22.70	FAL6F12LH
	12	7-13.8	280	3.36	18.73	0.44	40	40	P9755-ND	30.68	26.38	22.70	FAL6F12LL
	24	14-27.6	295	7.08	23.7	0.78	45	45	P9763-ND	30.68	26.38	22.70	FAL6F24LH
	24	14-27.6	155	3.72	18.7	0.45	40	40	P9764-ND	30.68	26.38	22.70	FAL6F24LL
1	12	7-13.8	210	2.52	10.60	0.41	35	35	P9756-ND	28.18	24.23	20.85	FAL5F12LH
	12	7-13.8	145	1.74	8.83	0.24	29	29	P9757-ND	28.18	24.23	20.85	FAL5F12LL
	24	14-27.6	150	3.50	9.18	0.28	40	40	P9765-ND	28.18	24.23	20.85	FAL5F24LH
	24	14-27.6	100	2.40	7.06	0.16	37.5	37.5	P9766-ND	28.18	24.23	20.85	FAL5F24LL
1	5	4.5-6	320	1.60	3.17	0.24	34	34	P9772-ND	21.93	18.86	16.23	FAL3F05LL
	5	4.5-6	570	2.85	4.24	0.39	40	40	P9773-ND	21.93	18.86	16.23	FAL3F05LH
	12	7-13.8	170	2.04	3.17	0.24	34	34	P9774-ND	21.93	18.86	16.23	FAL3F12LL
	12	7-13.8	270	3.24	4.24	0.39	40	40	P9775-ND	21.93	18.86	16.23	FAL3F12LH
2	12	10.2-13.8	120	1.44	3.5	0.48	35	35	P12901-ND	12.75	10.97	9.44	BM5115-04W-B40-L00
	12	10.2-13.8	180	2.16	3.5	.80	42	42	P13437-ND	13.38	11.51	9.90	BM5115-04W-B59-L00
	12	10.2-13.8	130	1.56	5.3	.34	34	34	P12902-ND	12.75	10.97	9.44	BM5125-04W-B40-L00
	12	10.2-13.8	240	2.88	6.7	.64	41	41	P12903-ND	12.75	10.97	9.44	BM5125-04W-B50-L00
2	12	10.2-13.8	240	2.88	6.7	.64	41	41	P13438-ND	13.38	11.51	9.90	BM5125-04W-B59-L00
	12	9-12.6	220	2.64	4.2	.68	42	42	P13439-ND	13.65	11.74	10.11	BM6015-04W-B59-L00
	12	6-13.8	190	2.28	8.47	.50	41	41	P13484-ND	14.50	12.47	10.73	BG0702-B04-400-0
	12	6-13.8	190	2.28	8.47	.50	41	41	P12904-ND	14.38	12.37	10.64	BG0702-B04-400-0T0
2	12	6-13.8	250	3.00	9.5	.61	43	43	P13440-ND	15.13	1		