

# TADIRAN Lithium Batteries

## Lithium Thionyl Chloride (Li/SOCl<sub>2</sub>) Cell: Non-Rechargeable

Tadiran Lithium Thionyl Chloride cells offer enduring quality. They are a superior power source, combining the highest energy density and voltage, longest service life, lowest self-discharge, plus the widest temperature range of any battery commercially available. These cells are ideally suited to provide long lasting power solutions for critical applications, including high tech electronics, military, consumer appliances, even state-of-the-art wireless communications. Tadiran batteries last by far longer than conventional cells, making them ideal for remote, portable, or seldom used equipment.

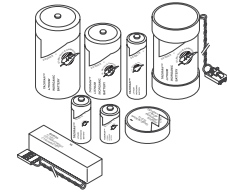
**TL-51XX MBU Series:** • Very low self discharge rate • Suited for long-term operation at low current levels with long stands • Intermittent discharge with medium current level, provided that the average current exceeds the active current level

**TL-2XXX XTRA™ Series:** • Excellent shelf life (10 years) • Very low self-discharge • Major improvement of voltage delay at the start of discharge at medium current levels (TMV) • Intermittent discharge at medium current levels

**TL-59XX XTRA™ High Capacity Series:** • High capacity batteries for long term applications at low currents • For use in wireless sensors, utility meters, RFID tags, toll tags for toll road pricing, etc.

**TLM-15XXMP and TLM-15XXHP Series:** • These two families, High Power and Medium Power, are specifically designed for applications requiring high power, long life and extended storage.

**TLH-XXXX Extended Temperature Series:** • For Operation at Temperatures up to 125°C **Applications:** The following list represents actual applications where Tadiran Lithium cells and batteries are already being used as a main or backup source of energy: • Utility meters and A.M.R. equipment • PC computers and data loggers • CMOS memory and RTC backup • Toll tags and RFID transponders • Programmable logic controllers • Wireless alarm sensors • Sea buoys and remote monitoring systems • Military and Aerospace systems • Automatic External Defibrillators • Communications Systems • Telematics **UL Approval:** Tadiran Lithium Thionyl Chloride cells and batteries are UL recognized. UL File No. MH12193



**Digi-Key is not approved by any state or federal agency as an authorized supplier of product for medical, life support or life sustaining devices or systems.**

Dimensions in mm

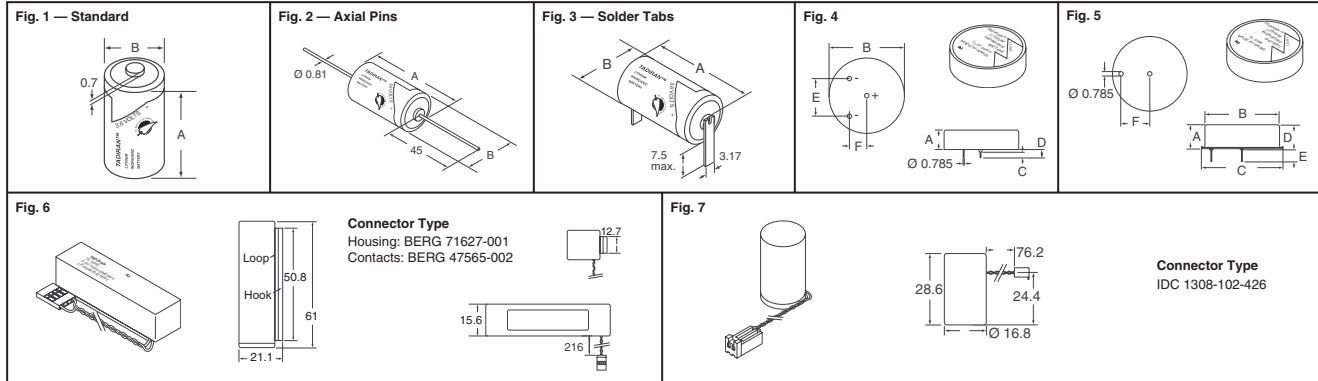


Fig.	Series	Type	Nom. (V)	Nominal Capacity (mAh)	Dimensions (mm)						Weight* (g)	Nominal Discharge Current (mA)	Digi-Key Part No.	Pricing			Tadiran Part No.	
					A	B	C	D	E	F				1	10	Carton		
1	High Power	AA	4	550	50.3	15.1					19.2	50	439-1042-ND	24.00	222.00	5220.00/300	TLM-1550HP/S	
		2/3AA	4	240	26.9	14.8					11	20	439-1045-ND	20.00	203.50	7975.00/500	TLM-1530HP/S	
		1/2AA	4	135	19.7	15.1					7.9	12	439-1046-ND	22.00	203.50	4785.00/300	TLM-1520HP/S	
		1/2AA	4	200	19.7	15.1					8.0	12	439-1047-ND	20.00	185.00	4350.00/300	TLM-1520MP	
3	High Power	AA with Tab	4	800	50.5	14.8					20	50	439-1043-ND	26.50	245.13	5763.75/300	TLM-1550MP/22/T	
1	MBU	1/2AA	3.6	950	25.2	14.5					9	0.5	439-1002-ND	4.72	43.66	1711.00/500	TL-5101/S	
		AA	3.6	2,100	50.5	14.5					17.4	2.0	439-1012-ND	5.78	53.47	1257.15/300	TL-5104/S	
2	MBU	1/2AA with Leads	3.6	950	25.2	14.5					9	0.5	439-1003-ND	5.04	46.62	1096.20/300	TL-5101/P	
		AA with Leads	3.6	2,100	50.5	14.5					17.4	2.0	439-1013-ND	6.10	56.43	2211.25/500	TL-5104/P	
4	MBU	1/10D	3.6	1,000	6.5	32.9	2	3.2	15.24	7.62	16.8	0.5	439-1023-ND	7.38	68.27	1605.15/300	TL-5134/P	
		1/6D	3.6	1,700	10.2	32.9	2	3.2	15.24	7.62	21.5	0.5	439-1024-ND	9.76	90.28	1698.24/240	TL-5135/P	
5	MBU	BEL	3.6	400	6.75	18.5	22.5	7.5	4.2	7.62	5.3	0.3	439-1025-ND	5.04	46.62	1827.00/500	TL-5186	
1	XTRA™	1/2AA	3.6	1,000	25.2	14.5					9	1.0	439-1000-ND	4.94	45.70	1790.75/500	TL-2150/S	
		AA	3.6	2,100	50.5	14.5					17.4	2.0	439-1010-ND	6.10	56.43	1326.75/300	TL-2100/S	
2	XTRA™	1/2AA with Leads	3.6	1,000	25.2	14.5					9	1.0	439-1001-ND	5.26	48.66	1144.05/300	TL-2150/P	
		AA with Leads	3.6	2,100	50.5	14.5					17.4	2.0	439-1011-ND	6.40	59.20	1160.00/250	TL-2100/P	
1	XTRA™ High Capacity	1/2AA	3.6	1,200	25.2	14.5					9.2	1.0	439-1004-ND	5.78	53.47	2095.25/500	TL-5902/S	
		2/3AA	3.6	1,650	33.5	14.5					11.8	1.3	439-1007-ND	6.52	60.31	2363.50/500	TL-5955/S	
		AA	3.6	2,400	50.5	14.5					17.6	2.0	439-1014-ND	7.24	66.97	1574.70/300	TL-5903/S	
2	XTRA™ High Capacity	1/2AA with Leads	3.6	1,200	25.2	14.5					9.2	1.0	439-1005-ND	6.10	56.43	1326.75/300	TL-5902/P	
		2/3AA with Leads	3.6	1,650	33.5	14.5					11.8	1.3	439-1008-ND	6.82	63.09	1236.13/250	TL-5955/P	
		AA with Leads	3.6	2,400	50.5	14.5					17.6	2.0	439-1015-ND	7.56	69.93	1370.25/250	TL-5903/P	
3	XTRA™ High Capacity	1/2AA with Tabs	3.6	1,200	25.2	14.5					9.2	1.0	439-1006-ND	6.10	56.43	488.00/100	TL-5902/T	
		2/3AA with Tabs	3.6	1,650	33.5	14.5					11.8	1.3	439-1009-ND	6.82	63.09	2472.25/500	TL-5955/T	
		AA with Tabs	3.6	2,400	50.5	14.5					17.6	2.0	439-1016-ND	7.56	69.93	1644.30/300	TL-5903/T	
1	Extended Temperature	1/2AA	3.6	900	25.2	14.5					9.6	1.0	439-1030-ND	6.96	64.38	2523.00/500	TLH-5902/S	
		2/3AA	3.6	1,400	33.5	14.5					12.5	1.3	439-1032-ND	7.86	72.71	2849.25/500	TLH-5955/S	
		AA	3.6	2,000	50.5	14.5					18	1.0	439-1034-ND	8.74	80.85	1900.95/300	TLH-5903/S	
2	Extended Temperature	1/2AA with Leads	3.6	900	25.2	14.5					9.6	1.0	439-1031-ND	7.28	67.34	1583.40/300	TLH-5902/P	
		2/3AA with Leads	3.6	1,400	33.5	14.5					12.5	1.3	439-1033-ND	8.18	75.67	1482.63/250	TLH-5955/P	
		AA with Leads	3.6	2,000	50.5	14.5					18	1.0	439-1035-ND	9.06	83.81	1642.13/250	TLH-5903/P	
4	iXtra Waffers	1/10D	3.6	1,000	6.5	32.9	3.4	2.7	15.24	7.62	16.3	1.0	439-1037-ND	9.36	86.58	2035.80/300	TLH-5934/P	
		1/6D	3.6	1,500	10.2	32.9	3.5	2.7	15.24	7.62	21	1.0	439-1038-ND	12.36	114.33	2150.64/240	TLH-5935/P	
		1/10D	3.6	1,000	6.5	32.9	3.4	2.7	15.24	7.62	16.3	1.0	439-1040-ND	8.12	75.11	1766.10/300	TL-5934/P	
		1/6D	3.6	1,700	10.2	32.9	3.5	2.7	15.24	7.62	21	1.0	439-1041-ND	10.74	99.35	1868.76/240	TL-5935/P	
5	iXtra Waffers	2450	3.6	550	6.2	24			5.8	4.8	7.62	8.8	0.5	439-1036-ND	5.32	49.21	1157.10/300	TLH-2450/P
		2450	3.6	550	6.2	24			5.8	4.8	7.62	8.8	0.5	439-1039-ND	4.20	38.85	1461.60/480	TL-2450/P
6	Standard Battery Packs with Connectors	MBU - AA	3.6	2,100							27	2.0	439-1026-ND	10.50	97.13	2283.75/300	TL-5242/W	
		XTRA™ - 1/2AA	3.6	1,000							12.5	1.0	439-1027-ND	8.30	76.78	3429.98/570	TL-5276/W	

\* See "Ordering Information" for note on shipping charges on prepaid orders. Due to possible restrictions, a change in shipping method may be required.

More Product Available Online: [www.digkey.com](http://www.digkey.com)