

| Fig | Description | Dimensions - Inch (mm) | | | | | Jaw Opening Inch (mm) | Current Rating | Material | Connection Type | Digi-Key Part No. | Price Each | Mueller Part No. |
|----------------------------------|--------------------------------------|----------------------------------|---------------|---------------|-------------|-------------|-----------------------|----------------|-----------------|------------------|-------------------|-------------|------------------|
| | | A | B | C | D | E | | | | | | | |
| 1 | Mini Alligator Clip | 1-3/32 (27.78) | 7/16 (11.11) | 5/16 (7.94) | — | 3/32 (2.38) | 3/16 (4.8) | 5A | Steel | Solder/Crimp | 314-1010-ND | .25 | BU-30 |
| | Mini Alligator Clip | 1-3/32 (27.78) | 7/16 (11.11) | 5/16 (7.94) | — | 3/32 (2.38) | 3/16 (4.8) | 5A | Copper | Solder/Crimp | 314-1012-ND | .37 | BU-30C |
| | Micro Alligator Clip | 1-3/32 (27.78) | 3/8 (9.52) | 5/16 (7.94) | — | 3/32 (2.38) | 7/32 (5.6) | 5A | Steel | Solder/Crimp | 314-1017-ND | .46 | BU-34 |
| | Micro Alligator Clip | 1-3/32 (27.78) | 3/8 (9.52) | 5/16 (7.94) | — | 3/32 (2.38) | 7/32 (5.6) | 5A | Copper | Solder/Crimp | 314-1018-ND | .60 | BU-34C |
| 2 | Mini Alligator Clip with Barrel | 1-1/4" (31.75) | 7/16 (11.11) | 5/16 (7.94) | 1/4 (6.35) | 1/8 (3.17) | 3/16 (4.8) | 5A | Steel | Solder/Crimp | 314-1011-ND | .24 | BU-30BL |
| | Alligator Clip with Barrel | 1-31/32 (50.00) | 5/8 (15.88) | 7/16 (11.11) | 3/4 (19.05) | .16 (4.06) | 5/16 (7.9) | 10A | Steel | Solder/Crimp | 314-1033-ND | .30 | BU-60 |
| | Alligator Clip with Barrel and Screw | 1-31/32 (50.00) | 5/8 (15.88) | 7/16 (11.11) | 3/4 (19.05) | .16 (4.06) | 5/16 (7.9) | 10A | Copper | 6/40Screw | 314-1034-ND | .75 | BU-60CS |
| | Alligator Clip with Barrel and Screw | 1-31/32 (50.00) | 5/8 (15.88) | 7/16 (11.11) | 3/4 (19.05) | .16 (4.06) | 5/16 (7.9) | 10A | Steel | 6/40Screw | 314-1035-ND | .41 | BU-60S |
| | Alligator Clip with Barrel | 1-31/32 (50.00) | 5/8 (15.88) | 7/16 (11.11) | 3/4 (19.05) | .16 (4.06) | 5/16 (7.9) | 10A | Stainless Steel | Solder/Crimp | 314-1036-ND | .83 | BU-60X |
| 3 | Crocodile Clip | 2-1/8 (53.97) | 15/16 (23.81) | 1/2 (12.7) | — | 9/64 (3.57) | 5/16 (7.9) | 5A | Steel | Crimp/6-40 Screw | 314-1039-ND | .55 | BU-85 |
| | Crocodile Clip | 2-1/8 (53.97) | 15/16 (23.81) | 1/2 (12.7) | — | 9/64 (3.57) | 5/16 (7.9) | 10A | Copper | Crimp/6-40 Screw | 314-1040-ND | 1.10 | BU-85C |
| 4 | Heavy Duty Clip | 2-27/32 (72.23) | 7/16 (11.11) | 1-1/8 (28.57) | — | 1/4 (6.35) | 3/4 (19) | 25 | Steel | Crimp/8-32 Screw | 314-1001-ND | 1.14 | BU-24APN |
| | Automotive Clip | 3 (76.2) | 21/32 (16.67) | 15/16 (23.81) | — | 9/32 (7.15) | 3/4 (19) | 40 | Steel | Crimp/8-32 Screw | 314-1002-ND | 1.01 | BU-25 |
| | Automotive Clip | 3 (76.2) | 21/32 (16.67) | 15/16 (23.81) | — | 9/32 (7.15) | 3/4 (19) | 75 | Copper | Crimp/8-32 Screw | 314-1003-ND | 2.50 | BU-25C |
| | General Purpose Clip | 2-7/16 (61.91) | 17/32 (13.49) | 11/16 (17.46) | — | 3/16 (4.76) | 5/8 (16) | 20 | Steel | Crimp/6-32 Screw | 314-1006-ND | .70 | BU-27 |
| | General Purpose Clip | 2-7/16 (61.91) | 17/32 (13.49) | 11/16 (17.46) | — | 3/16 (4.76) | 5/8 (16) | 40 | Copper | Crimp/6-32 Screw | 314-1007-ND | 1.18 | BU-27C |
| | Pee-Wee Clip | 1-17/32 (38.89) | 1/4 (6.35) | 15/32 (11.91) | — | 9/64 (3.57) | 5/16 (7.9) | 5 | Steel | Crimp/6-40 Screw | 314-1021-ND | .50 | BU-45 |
| | Pee-Wee Clip | 1-17/32 (38.89) | 1/4 (6.35) | 15/32 (11.91) | — | 9/64 (3.57) | 5/16 (7.9) | 10 | Copper | Crimp/6-40 Screw | 314-1022-ND | .82 | BU-45C |
| | Automotive Analyzer Clip | 2 (50.80) | 3/8 (9.52) | 5/8 (15.88) | — | 3/16 (4.76) | 1/2 (12.7) | 10 | Steel | Crimp/6-32 Screw | 314-1029-ND | .67 | BU-48B |
| | Automotive Analyzer Clip | 2 (50.80) | 3/8 (9.52) | 5/8 (15.88) | — | 3/16 (4.76) | 1/2 (12.7) | 20 | Copper | Crimp/6-32 Screw | 314-1030-ND | .93 | BU-48C |
| | 5 | Miniature Plier-Type Clip, Black | 2-7/8 (98.42) | — | 2 (50.80) | — | 9/32 (7.15) | 1-1/8 (28.6) | 50 | Steel | Crimp/Solder | 314-1023-ND | .94 |
| Miniature Plier-Type Clip, Red | | 2-7/8 (98.42) | — | 2 (50.80) | — | 9/32 (7.15) | 1-1/8 (28.6) | 50 | Steel | Crimp/Solder | 314-1024-ND | .94 | BU-46A-2 |
| Miniature Plier-Type Clip, Black | | 2-7/8 (98.42) | — | 2 (50.80) | — | 9/32 (7.15) | 1-1/8 (28.6) | 75 | Copper | Crimp/Solder | 314-1025-ND | 1.70 | BU-46C-0 |
| Miniature Plier-Type Clip, Red | | 2-7/8 (98.42) | — | 2 (50.80) | — | 9/32 (7.15) | 1-1/8 (28.6) | 75 | Copper | Crimp/Solder | 314-1026-ND | 1.70 | BU-46C-2 |

◆ RoHS Compliant

Insulators

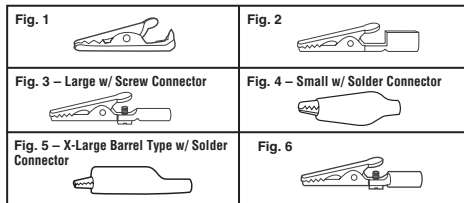
| Description | Color | Use with Series | Digi-Key Part No. | Price Each | Mueller Part No. |
|--------------------------------------|--------------|---------------------|----------------------------|------------|--------------------|
| Protective Vinyl Insulator | Black Red | BU-24APN/ 25/25C | 314-1004-ND 314-1005-ND | .91 .91 | BU-26-0 BU-26-2 |
| Flexible Vinyl Insulator | Black Red | BU-27/27C | 314-1008-ND 314-1009-ND | .60 .60 | BU-29-0 BU-29-2 |
| Tough, Flexible Vinyl Insulator | Black Red | BU-30BL | 314-1013-ND 314-1014-ND | .21 .21 | BU-31-0 BU-31-2 |
| Skin-tight, Flexible Vinyl Insulator | Black Red | BU-30/30C | 314-1015-ND 314-1016-ND | .19 .19 | BU-32-0 BU-32-2 |

| Description | Color | Use with Series | Digi-Key Part No. | Price Each | Mueller Part No. |
|--------------------------------------|--------------|-------------------------|----------------------------|------------|--------------------|
| Skin-tight, Flexible Vinyl Insulator | Black Red | BU-34/34C | 314-1019-ND 314-1020-ND | .19 .19 | BU-36-0 BU-36-2 |
| Durable, Flexible Vinyl Insulator | Black Red | BU-45/45C | 314-1027-ND 314-1028-ND | .23 .23 | BU-47-0 BU-47-2 |
| Durable, Flexible Vinyl Insulator | Black Red | BU-48B/48C | 314-1031-ND 314-1032-ND | .53 .53 | BU-49-0 BU-49-2 |
| Tough, Flexible Vinyl Insulator | Black Red | BU-60/60CS/ 60/S/60X | 314-1037-ND 314-1038-ND | .21 .21 | BU-62-0 BU-62-2 |
| Tough, Flexible Vinyl Insulator | Black Red | BU-85/85C | 314-1041-ND 314-1042-ND | .35 .35 | BU-87-0 BU-87-2 |

◆ RoHS Compliant



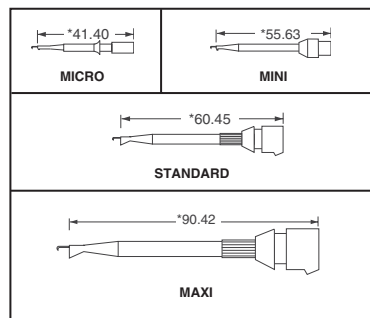
Alligator Clips



| Fig | Description | Digi-Key Part No. | Price Each | | | CUI Part No. |
|-----|---------------------------|-------------------|------------|-----|-----|--------------|
| | | | 1 | 10 | 100 | |
| 1 | Without Cover, 27mm | CP-2400-ND | .36 | .30 | .23 | 103A |
| | Without Cover, 35mm | CP-2401-ND | .36 | .30 | .23 | 105A |
| | Without Cover, 44mm | CP-2402-ND | .36 | .30 | .23 | 110AR |
| | With Screw, 44mm | CP-2405-ND | .44 | .36 | .28 | 110ARS |
| 2 | Without Cover, 50mm | CP-2403-ND | .40 | .33 | .25 | 110AN |
| 3 | With Wire Terminals, 50mm | CP-2404-ND | .44 | .36 | .28 | 110AS |
| 4 | With Cover, Black, 27mm | CP-2406-ND | .44 | .36 | .28 | 103A-C-BK |
| | With Cover, Red, 27mm | CP-2407-ND | .44 | .36 | .28 | 103A-C-RD |
| 5 | With Cover, Black, 35mm | CP-2408-ND | .44 | .36 | .28 | 105A-C-BK |
| | With Cover, Red, 35mm | CP-2409-ND | .44 | .36 | .28 | 105A-C-RD |
| | With Cover, Black, 44mm | CP-2410-ND | .52 | .43 | .33 | 110AR-C-BK |
| | With Cover, Red, 44mm | CP-2411-ND | .52 | .43 | .33 | 110AR-C-RD |
| 6 | With Handle, Black, 50mm | CP-2412-ND | .60 | .49 | .38 | 110ARS-C-BK |
| | With Handle, Red, 50mm | CP-2413-ND | .60 | .49 | .38 | 110ARS-C-RD |
| 6 | With Handle, Black, 50mm | CP-2414-ND | .52 | .43 | .33 | 110AS-P-BK |
| | With Handle, Red, 50mm | CP-2415-ND | .52 | .43 | .33 | 110AS-P-RD |



Probe-It



Specifications: Contact: Phosphor bronze, Solder Type Termination. Body: Nylon. 3M new series of Probe-It™ plunger-actuated clips make test connections to individual component leads faster and easier. Simply press cap to extend the hook contact, place on component lead or wire under test, and release for hands-free troubleshooting and circuit testing. When removed from the lead the hook contact retracts into the plastic tip to minimize the possibility of shorting components. **Suggested Wire:** 26AWG (7-Strand, Tinned copper wire).

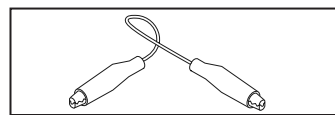
| Description | Color | Digi-Key Part No. | Price / Pkg. |
|-------------------------|--------------|-------------------|--------------|
| Micro Probe-It* | Red | 923830-RD-ND | 9.50 |
| | Black | 923830-BK-ND | 9.50 |
| | Blue | 923830-BU-ND | 9.50 |
| | Green | 923830-GN-ND | 9.50 |
| | Yellow | 923830-YL-ND | 9.50 |
| Mini Probe-It* | Red | 923835-RD-ND | 9.14 |
| | Black | 923835-BK-ND | 9.14 |
| | Green | 923835-GN-ND | 9.14 |
| | Yellow | 923835-YL-ND | 9.14 |
| | White | 923835-WT-ND | 9.14 |
| Standard Probe-It* | Red | 923840-RD-ND | 15.36 |
| | Black | 923840-BK-ND | 15.36 |
| Maxi Probe-It* | Red | 923845-RD-ND | 21.30 |
| Black | 923845-BK-ND | 15.36 | |
| Micro Probe-It Assort.† | 1 of each | 923848-ND | 25.36 |
| Mini Probe-It Assort.† | 1 of each | 923850-ND | 27.27 |

* 2 per package † 6 per package



Jumper Wire Test Leads

Handy test leads with insulated alligator clips attached to each end. Each package contains black, red, white, green and yellow jumpers.



| Description | Digi-Key Part No. | Price Each | GC Electronics Part No. |
|---|-------------------|------------|-------------------------|
| Standard Test Leads, 2 Each, 15" (38.10cm) long 27 AWG wires (10 Pkg.) | GC396-ND | 6.44 | 12-1650 |
| Heavy Duty Test Leads, 1 Each, 22" (55.88cm) long 21 AWG wires (5 Pkg.) | GC397-ND | 6.91 | 12-1655 |

More Product Available Online: www.digikey.com

Toll-Free: 1-800-344-4539 • Phone 218-681-6674 • Fax: 218-681-3380

(T091) 2325