

Fig.	Description	Digi-Key Part No.	Price Each 1	Price Each 10	Pomona Part No.
1	BNC Feed-Thru Termination, 50Ω	501-1036-ND	35.96	32.49	4119-50
2	BNC (Female) Isolated Ground Bulkhead Receptacle	501-1037-ND	3.24	2.93	3778
2	BNC (Female) Bulkhead Receptacle, Isolated Ground, PTFE, 75Ω	501-1151-ND	2.59	2.34	6741
2	BNC Female Bulkhead Receptacle, 75Ω	501-1153-ND	2.37	2.15	6745
3	Adapter, Isolated Ground BNC Female-Female	501-1038-ND	8.02	7.25	3846
3	Hermetic Sealed BNC Female-Female	501-1139-ND	19.82	17.91	3847
3	Isolated BNC Female to Female Panel	501-1142-ND	14.41	13.02	6705
3	BNC (Female-Female) Panel Mount, Hermetically Sealed, 75Ω	501-1152-ND	3.20	2.90	6744
4	BNC "T" (Male-Female-Female) Coaxial Adapter	501-1039-ND	13.74	12.42	4896
5	BNC Female Panel Receptacle	501-1040-ND	6.16	5.57	2451
5	BNC Female Panel Receptacle, 75Ω	501-1146-ND	2.71	2.45	6736
6	Adapter, Phono Jack to BNC Male	501-1096-ND	18.84	17.03	4054
7	Adapter, BNC Female to Phono Plug	501-1099-ND	6.92	6.26	5319
8	BNC Male to Dual BNC Female Straight Adapter	501-1100-ND	15.92	14.39	6700
9	BNC (Female) to Std. 1/4" Two Conductor Phone Plug	501-1128-ND	11.87	10.73	1297
10	BNC Female-Female	501-1132-ND	4.76	4.31	3283
10	BNC Female-Female, 75Ω	501-1147-ND	2.59	2.34	6737
11	BNC "T" (Female-Female-Female)	501-1133-ND	13.74	12.42	3284

Fig.	Description	Digi-Key Part No.	Price Each 1	Price Each 10	Pomona Part No.
11	BNC (Female-Female-Female) 75Ω	501-1148-ND	3.67	3.32	6738
12	BNC "T" (Female-Male-Female)	501-1134-ND	6.06	5.48	3285
12	BNC (Female-Male-Female) 75Ω	501-1149-ND	3.67	3.32	6739
13	BNC Male-Male	501-1135-ND	3.24	2.93	3533
13	BNC Male-Male, 75Ω	501-1150-ND	2.06	1.86	6740
14	BNC (Female-Male) Right Angle	501-1136-ND	8.86	8.01	3534
15	SMA Female to BNC Male	501-1140-ND	9.00	8.13	4289
16	SMA Male to BNC Female	501-1141-ND	8.83	7.98	4290
17	BNC Female to Tini-Plug	501-1138-ND	14.29	12.92	3837
18	BNC Male Panel Mount, 75Ω	501-1145-ND	3.20	2.90	6735
19	BNC (Female-Male-Female) In-Line, 75Ω	501-1154-ND	3.67	3.32	6754
20	BNC (Male) / F (Female), 75Ω	501-1155-ND	3.45	3.12	6779
21	BNC (Female) / F (Female), 75Ω	501-1156-ND	3.45	3.12	6780
22	BNC (Female) / F (Male), 75Ω	501-1157-ND	3.45	3.12	6781
23	BNC (Male) / F (Male), 75Ω	501-1158-ND	3.45	3.12	6782
24	RCA (Female-Male-Female)	501-1161-ND	1.28	1.16	6882

◆ RoHS Compliant

Probes

Model 6723:

Features: • Test probe has a Stainless Steel sharp tip wit 8/32 threaded base • Alligator clip screws onto probe tip • Test leads fit all standard DMM with safety style banana jacks
Kit Includes: • A set of red and black test leads • A set of red and black medium alligator test clips

Model 6341:

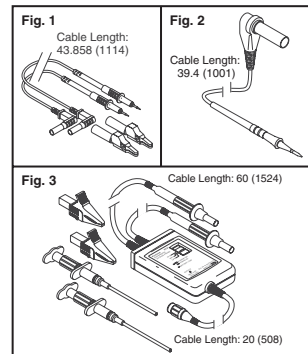
Features: • Gold plated pogo pin tip keeps constant pressure on test point for consistent readings • Replaceable probe tips • Right angle DMM plug fits most digital multimeters
Kit Includes: • One red probe • One black probe with a set of all tip styles, which include: Sharp Point Gold Plated Pogo Pin Tip, Sharp Point Stainless Steel Tip, Triple Point Gold Plated Pogo Pin Tip, Quad Point Gold Plated Pogo Pin Tip and 3" (76.19mm) Long Sharp Point Stainless Steel Tip

Model 6731:

Features: • Allows user to safely make floating high voltage measurements while using general purpose oscilloscopes • Max. differential voltage up to 1000V • Differential amplifier converts and scales floating input signal to a low-voltage signal referenced to earth ground • The probe can be used on circuits associated with electronic high-power converters, motor speed controllers, switching power supplies, and other high voltage circuits requiring isolation • Switchable attenuation settings
Kit Includes: • Large Jaw Alligator Clips (one red and one black) • Pin-Grabber Test Clips (one red and one black) • 9V Alkaline Battery

Fig.	Description	Digi-Key Part No.	Price Each 1	Price Each 10	Pomona Part No.
1	Model 6723, Test Lead Kit with 8/32 Threaded Probe Tip	501-1101-ND	35.54	32.12	6723
2	Model 6341, Replaceable Tip Precision Electronic Probe	501-1003-ND	36.79	33.24	6341
3	Model 6731, Active Differential Probe	501-1005-ND	625.21	564.95	6731
—	Power Adapter for Model 6731	501-1006-ND	108.32	97.88	6732

◆ RoHS Compliant



Test Enclosures

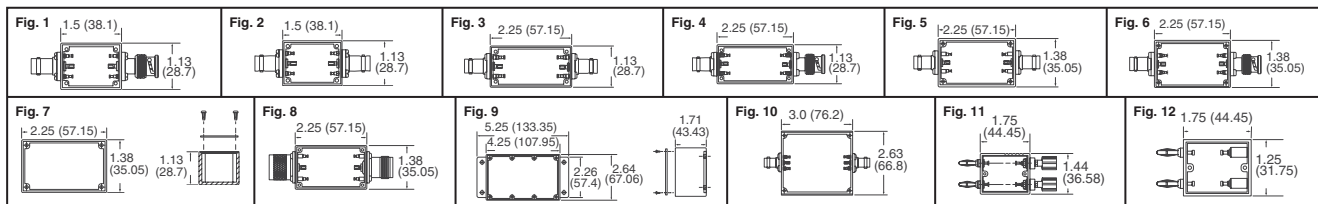


Fig.	Description	Digi-Key Part No.	Price Each 1	Price Each 10	Pomona Part No.
Die Cast Aluminum - Blue					
1	Miniature Size Box, BNC Female to BNC Male with Cover	501-1103-ND	29.47	26.63	3752
2	Miniature Size Box, BNC Female/Female with Cover	501-1104-ND	31.31	28.29	3751
3	Size "A" Box, BNC Female/Female with Cover	501-1069-ND	26.54	23.99	2390
4	Size "A" Box, BNC Male/Female with Cover	501-1070-ND	28.92	26.13	2391
5	Size "B" Box, BNC Female/Female with Cover	501-1105-ND	25.35	22.91	3230
6	Size "B" Box, BNC Male/Female with Cover	501-1106-ND	30.44	27.51	3231
7	Size "B" Box Shield with Cover	501-1107-ND	8.45	7.64	2417

Fig.	Description	Digi-Key Part No.	Price Each 1	Price Each 10	Pomona Part No.
8	Size "B" Box, Type N Male/Female with Cover	501-1112-ND	50.48	45.62	2411
9	Size "C" Box Shielded with Cover	501-1108-ND	20.53	18.56	2901
10	Size "D" Shielded Housing, BNC Female Both Ends with Cover	501-1111-ND	34.88	31.52	3602
Electrical Grade Phenolic - Black					
11	Box Component Mounting, Double Plug to Binding Posts w/Cover	501-1110-ND	28.70	25.94	2259
12	Box Component Mounting, Banana Jack to Double Plug w/Cover	501-1109-ND	18.96	17.13	2098

(Continued)

More Product Available Online: www.digikey.com

Toll-Free: 1-800-344-4539 • Phone 218-681-6674 • Fax: 218-681-3380