

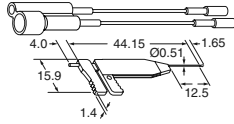


Close Focus, Pocket-Size Infrared Thermometer

Features: • Compact—Easily fits in your pocket • Selectable Fahrenheit or Centigrade temperature range: -7°F ~ 248°F (-22°C ~ 120°C) • Auto Data Hold • Min./Max. functions 8 samplings in 0.5 seconds • AUTO sets the 368 into scan mode to continuously scan surface temperatures in real time. Automatically powers off after 60 seconds. **NOTE:** Close focus IR thermometers should be held a distance 0.5" ~ 2" from surface to be measured to obtain an accurate reading (spot size 0.35").
Specifications: • Operating Temperature: 32°F ~ 104°F (0°C ~ 40°C) • Accuracy: 2% of reading or ±3.5°F, whichever is greater
290-1901-ND 368..... \$24.95

Nano-Clips and Micro-Clips

NANO-CLIP SPECIFICATIONS: Accessible Lead Pitch: 0.3mm minimum
Clip Retention: 50g minimum **Stroke:** 1.65mm **Operating Force:** 300g maximum **Contact Resistance:** 30MΩ **Conductor Resistance:** 300MΩ
NANO-CLIP FEATURES: • Gold-plated hook and contact • Fluorine coated barrel extension
MICRO-CLIP SPECIFICATIONS: Accessible Lead Pitch: 1.27mm minimum
Clip Retention: 200g minimum **Stroke:** 3.0mm **Operating Force:** 1.0kg maximum **Contact Resistance:** 30MΩ **Conductor Resistance:** 200MΩ

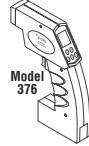


Description	Package Includes	Digi-Key Part No.	Price Each	TPI Part No.
Nano-Clip .3mm				
Black, Red	2 Clips, 2 Lead Sets and Ground Lead	290-1096-ND	47.95	NC2BR
Black, Red	6 Clips, 3 Lead Sets and Ground Lead	290-1097-ND	99.95	NC6BR
Assorted	12 Clips, 6 Lead Sets and Ground Lead	290-1105-ND	189.95	NC12
Black	1 Clip	290-1106-ND	9.95	NC1B
Gray	1 Clip	290-1107-ND	9.95	NC1GY
Red	1 Clip	290-1108-ND	9.95	NC1R
Yellow	1 Clip	290-1109-ND	9.95	NC1Y
Green	1 Clip	290-1110-ND	9.95	NC1G
Blue	1 Clip	290-1111-ND	9.95	NC1BLUE
Micro-Clip 1.27mm				
Black	1 Clip	290-1118-ND	7.95	MC1B
Gray	1 Clip	290-1119-ND	7.95	MC1GY
Red	1 Clip	290-1121-ND	7.95	MC1R
Assorted	6 Clips, 3 Lead Sets and Ground Lead	290-1117-ND	46.95	MC6

IR Non-Contact and Contact Temperature Testers

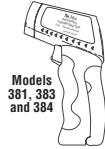
Take non-contact and contact temperatures with one temperature tester.

Model 376 Features: • Combination non-contact IR and contact (K-Type thermocouple) • Laser pointer • Record function • Display data hold function • Backlight • Trigger switch • 8:1 distance to spot ratio • Selectable °C/°F • Gun-type compact design • Operation lock function • Soft pouch included • Three-year limited warranty **Display Resolution:** 0.1°F and 0.1°C or 1°F and 1°C **Operating Temperature:** 32°F ~ 120°F (0°C ~ 50°C) **K-Type Probe Range:** -40°F ~ 2,192°F (-40°C ~ 1,200°C) **K-Type Probe Accuracy:** ±5% of reading 3°F



Models 381, 383 and 384 Features: • Easy to use single button operation • 0.1/1 degree auto resolution for best reading • Last reading hold • Soft holster pouch included • 9:1 distance to spot ratio (381F: 6:1) • Large, easy to read display • °C and °F selectable

FUNCTION	376	381	383	384
Temperature Range	-58°F ~ 950°F -50°C ~ 510°C	-4°F ~ 572°F -20°C ~ 300°C	-31°F ~ 999°F -35°C ~ 560°C	-31°F ~ 1,832°F -35°C ~ 1,000°C
Laser Sighting	Yes	Yes	Yes	Yes
Accuracy @ 25°C and 0.95 Emissivity	±2% / ±3.5°F	±2% / ±3.5°F	±2% / ±3.5°F	±2% / ±3.5°F
Response Time	500ms	500ms	500ms	500ms
Special Response	7-14um	7-14um	7-14um	8-14um
Emissivity	0.3 ~ 99 adjustable	0.95 fixed	0.95 fixed	0.95 fixed



Description	Digi-Key Part No.	Price Each	TPI Part No.
Combination Non-Contact/Contact Temperature Tester w/Soft Pouch	290-1376-ND	149.95	376
Non-Contact Temperature Tester with Soft Pouch and Laser	290-1427-ND	74.95	381
High-Temperature, IR Gun with Soft Pouch	290-1419-ND	99.95	383
High-Temperature, IR Gun with Soft Pouch	290-1420-ND	129.95	384

K-Type Contact Thermometer

Water-resistant testers accept K-Type thermocouple probes. The 343C2 features dual inputs displays temperature differential, and has minimum/maximum record. Protective boot (A304) included. **Size:** 1.6" x 6" x 3" **Weight:** 278g with boot • Perform ice bath calibration to achieve ±1°F within the 30°F ~ 120°F temperature range. Calibration is an easy two-step process performed through the keypad and does not require the use of tools. **Minimum/Maximum Record:** Yes **Selectable Resistance:** Auto C/F **Selectable:** Yes **T1, T2, ΔT:** Yes **Auto Off:** Yes **Range K-Type:** -58°F ~ 2,462°F (-50°C ~ 1,350°C) **Basic Accuracy:** ±0.3% **Battery:** 9V



290-1416-ND	343C2 Thermometer Kit	\$74.95	343C2
Model GK11M:	Standard K-Type thermocouple probe • 4 foot fiberglass covered lead • Exposed junction for fast response		
290-1911-ND	GK11M (K-Type)	\$14.95	

Test Leads and Accessories

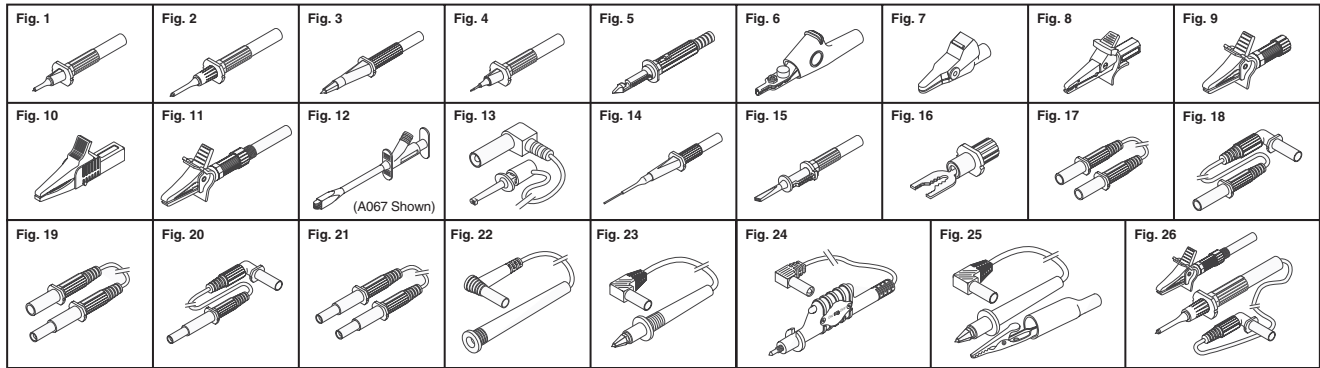


Fig.	Description	Digi-Key Part No.	Price Each	TPI Part No.
1	Standard Prod Set	290-1511-ND	9.95	A037
	Standard Prod, Black	290-1512-ND	4.98	A037B
	Standard Prod, Red	290-1513-ND	4.98	A037R
2	Fused Prod Set	290-1508-ND	24.95	A036
	Fused Prod, Black	290-1509-ND	12.48	A036B
	Fused Prod, Red	290-1510-ND	12.48	A036R
3	1,000V, GS38 Compliant Fused Prod Set	290-1558-ND	29.95	A083
	1,000V, GS38 Compliant Fused Prod, Black	290-1559-ND	14.98	A083B
	1,000V, GS38 Compliant Fused Prod, Red	290-1560-ND	14.98	A083R
4	OEM Style Prod Set	290-1520-ND	8.95	A054
	OEM Style Prod, Black	290-1521-ND	4.48	A054B
	OEM Style Prod, Red	290-1522-ND	4.48	A054R
5	Thin Stainless Steel Tip Prod Set	290-1523-ND	12.95	A055
	Thin Stainless Steel Tip Prod, Black	290-1524-ND	6.48	A055B
	Thin Stainless Steel Tip Prod, Red	290-1525-ND	6.48	A055R
6	Insulation Piercing Prod Set	290-1532-ND	15.95	A059
	Insulation Piercing Prod, Black	290-1533-ND	7.98	A059B
	Insulation Piercing Prod, Red	290-1534-ND	7.98	A059R
7	Test Clip Piercing, Straight Tip, Red Boot	290-1184-ND	6.95	A032R
	Test Clip Piercing, Straight Tip, Black Boot	290-1185-ND	6.95	A032B
	Test Clip Piercing, Straight Tip, Blue Boot	290-1186-ND	6.95	A032BL
8	Test Clip Piercing, Bent Tip, Red Boot	290-1187-ND	6.95	A033R
	Test Clip Piercing, Bent Tip, Black Boot	290-1188-ND	6.95	A033B
	Test Clip Piercing, Bent Tip, Blue Boot	290-1189-ND	6.95	A033BL
9	Small Alligator Clip Set	290-1505-ND	6.95	A034
	Small Alligator Clip, Black	290-1506-ND	3.48	A034B
	Small Alligator Clip, Red	290-1507-ND	3.48	A034R
10	1,000V Crocodile Clip Set	290-1535-ND	14.95	A066
	1,000V Crocodile Clip, Black	290-1536-ND	7.48	A066B
	1,000V Crocodile Clip, Red	290-1537-ND	7.48	A066R
11	Fused Fully Insulated Crocodile Clip Set	290-1529-ND	7.95	A058
	Fused Fully Insulated Crocodile Clip, Black	290-1530-ND	3.98	A058B
	Fused Fully Insulated Crocodile Clip, Red	290-1531-ND	3.95	A058R
12	Cat III, 600V Crocodile Clip Set	290-1541-ND	14.95	A068
	Cat III, 600V Crocodile Clip, Black	290-1542-ND	7.48	A068B
	Cat III, 600V Crocodile Clip, Red	290-1543-ND	7.48	A068R

Fig.	Description	Digi-Key Part No.	Price Each	TPI Part No.
11	Fused Flanged Crocodile Clip Set	290-1555-ND	33.95	A084
	Fused Flanged Crocodile Clip, Black	290-1556-ND	16.98	A084B
	Fused Flanged Crocodile Clip, Red	290-1557-ND	16.98	A084R
12	Grabber Clip Set	290-1538-ND	22.95	A067
	Grabber Clip, Black	290-1539-ND	11.48	A067B
	Grabber Clip, Red	290-1540-ND	11.48	A067R
13	Plunger Clip Set	290-1544-ND	22.95	A069
	Plunger Clip, Black	290-1545-ND	11.48	A069B
	Plunger Clip, Red	290-1546-ND	11.48	A069R
14	Probe Tip Red 5 Mini Clip With 9" Pigtail	290-1065-ND	7.95	SMD1R
	Probe Tip Black 5 Mini Clip With 9" Pigtail	290-1066-ND	7.95	SMD1B
	Needle Back Probe Set	290-1526-ND	9.95	A057
15	Needle Back Probe, Black	290-1527-ND	4.98	A057B
	Needle Back Probe, Red	290-1528-ND	4.98	A057R
	Sprung Hook Set	290-1514-ND	10.95	A038
16	Sprung Hook, Black	290-1515-ND	5.48	A038B
	Sprung Hook, Red	290-1516-ND	5.48	A038R
	Spade Terminal Set	290-1517-ND	2.95	A039
17	Spade Terminal, Black	290-1518-ND	1.48	A039B
	Spade Terminal, Red	290-1519-ND	1.48	A039R
	Fixed Shroud to Fixed Shroud	290-1500-ND	15.95	A079
18	90° Fixed Shroud to Fixed Shroud	290-1502-ND	15.95	A082
	Fixed Shroud to Shutter Plug	290-1504-ND	16.95	A087
	90° Fixed Shroud to Shutter Plug	290-1501-ND	15.95	A081
19	Shutter Plug to Shutter Plug	290-1503-ND	19.95	A086
	Test Lead Set for A083, A084	290-1552-ND	14.95	A088
	Test Lead for A083, A084, Black	290-1553-ND	7.48	A088B
20	Test Lead for A083, A084, Red	290-1554-ND	7.48	A088R
	Test Lead Set Standard 46"	290-1059-ND	6.95	SS12
	UL Test Lead Set	290-1547-ND	9.95	A070
21	Lighted Test Lead Set	290-1549-ND	49.95	A085
	UL Test Lead Set with Alligator Clip	290-1548-ND	17.95	A035
	Fused Test Lead Set	290-1550-ND	24.95	A041
22	Fused Test Lead Kit	290-1551-ND	69.95	A089
	Kit Test Lead Set 7 Pair	290-1058-ND	34.95	SDK1

More Product Available Online: www.digkey.com

Toll-Free: 1-800-344-4539 • Phone 218-681-6674 • Fax: 218-681-3380

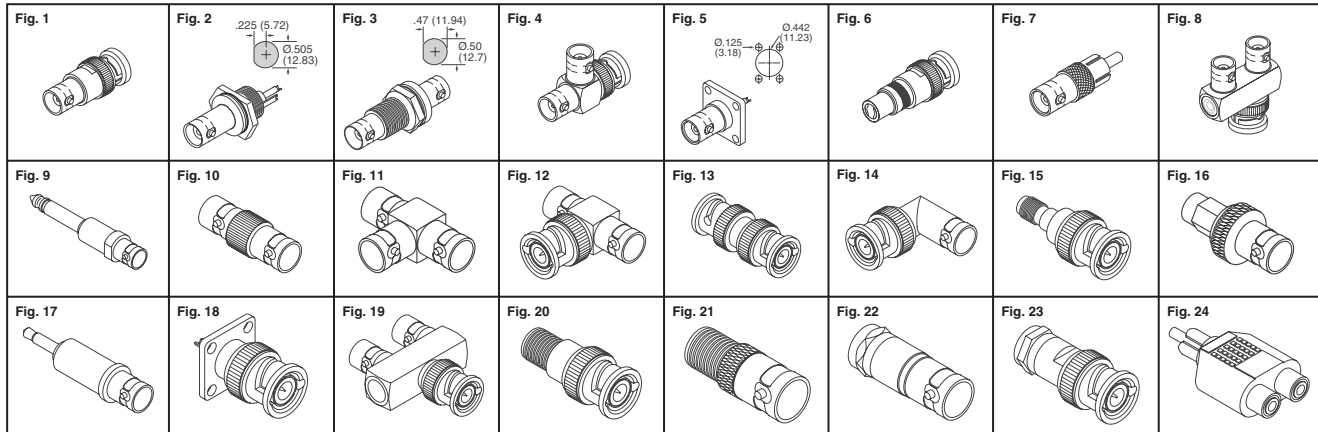


Fig.	Description	Digi-Key Part No.	Price Each 1	10	Pomona Part No.
1	BNC Feed-Thru Termination, 50Ω	501-1036-ND	35.96	32.49	4119-50
2	BNC (Female) Isolated Ground Bulkhead Receptacle	501-1037-ND	3.24	2.93	3778
2	BNC (Female) Bulkhead Receptacle, Isolated Ground, PTFE, 75Ω	501-1151-ND	2.59	2.34	6741
2	BNC Female Bulkhead Receptacle, 75Ω	501-1153-ND	2.37	2.15	6745
3	Adapter, Isolated Ground BNC Female-Female	501-1038-ND	8.02	7.25	3846
3	Hermetic Sealed BNC Female-Female	501-1139-ND	19.82	17.91	3847
3	Isolated BNC Female to Female Panel	501-1142-ND	14.41	13.02	6705
3	BNC (Female-Female) Panel Mount, Hermetically Sealed, 75Ω	501-1152-ND	3.20	2.90	6744
4	BNC "T" (Male-Female-Female) Coaxial Adapter	501-1039-ND	13.74	12.42	4896
5	BNC Female Panel Receptacle	501-1040-ND	6.16	5.57	2451
5	BNC Female Panel Receptacle, 75Ω	501-1146-ND	2.71	2.45	6736
6	Adapter, Phono Jack to BNC Male	501-1096-ND	18.84	17.03	4054
7	Adapter, BNC Female to Phono Plug	501-1099-ND	6.92	6.26	5319
8	BNC Male to Dual BNC Female Straight Adapter	501-1100-ND	15.92	14.39	6700
9	BNC (Female) to Std. 1/4" Two Conductor Phone Plug	501-1128-ND	11.87	10.73	1297
10	BNC Female-Female	501-1132-ND	4.76	4.31	3283
10	BNC Female-Female, 75Ω	501-1147-ND	2.59	2.34	6737
11	BNC "T" (Female-Female-Female)	501-1133-ND	13.74	12.42	3284

Fig.	Description	Digi-Key Part No.	Price Each 1	10	Pomona Part No.
11	BNC (Female-Female-Female) 75Ω	501-1148-ND	3.67	3.32	6738
12	BNC "T" (Female-Male-Female)	501-1134-ND	6.06	5.48	3285
12	BNC (Female-Male-Female) 75Ω	501-1149-ND	3.67	3.32	6739
13	BNC Male-Male	501-1135-ND	3.24	2.93	3533
13	BNC Male-Male, 75Ω	501-1150-ND	2.06	1.86	6740
14	BNC (Female-Male) Right Angle	501-1136-ND	8.86	8.01	3534
15	SMA Female to BNC Male	501-1140-ND	9.00	8.13	4289
16	SMA Male to BNC Female	501-1141-ND	8.83	7.98	4290
17	BNC Female to Tini-Plug	501-1138-ND	14.29	12.92	3837
18	BNC Male Panel Mount, 75Ω	501-1145-ND	3.20	2.90	6735
19	BNC (Female-Male-Female) In-Line, 75Ω	501-1154-ND	3.67	3.32	6754
20	BNC (Male) / F (Female), 75Ω	501-1155-ND	3.45	3.12	6779
21	BNC (Female) / F (Female), 75Ω	501-1156-ND	3.45	3.12	6780
22	BNC (Female) / F (Male), 75Ω	501-1157-ND	3.45	3.12	6781
23	BNC (Male) / F (Male), 75Ω	501-1158-ND	3.45	3.12	6782
24	RCA (Female-Male-Female)	501-1161-ND	1.28	1.16	6882

◆ RoHS Compliant

Probes

Model 6723:

Features: • Test probe has a Stainless Steel sharp tip wit 8/32 threaded base • Alligator clip screws onto probe tip • Test leads fit all standard DMM with safety style banana jacks
Kit Includes: • A set of red and black test leads • A set of red and black medium alligator test clips

Model 6341:

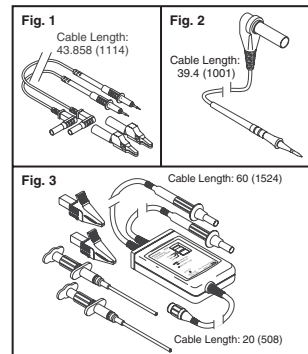
Features: • Gold plated pogo pin tip keeps constant pressure on test point for consistent readings • Replaceable probe tips • Right angle DMM plug fits most digital multimeters
Kit Includes: • One red probe • One black probe with a set of all tip styles, which include: Sharp Point Gold Plated Pogo Pin Tip, Sharp Point Stainless Steel Tip, Triple Point Gold Plated Pogo Pin Tip, Quad Point Gold Plated Pogo Pin Tip and 3" (76.19mm) Long Sharp Point Stainless Steel Tip

Model 6731:

Features: • Allows user to safely make floating high voltage measurements while using general purpose oscilloscopes • Max. differential voltage up to 1000V • Differential amplifier converts and scales floating input signal to a low-voltage signal referenced to earth ground • The probe can be used on circuits associated with electronic high-power converters, motor speed controllers, switching power supplies, and other high voltage circuits requiring isolation • Switchable attenuation settings
Kit Includes: • Large Jaw Alligator Clips (one red and one black) • Pin-Grabber Test Clips (one red and one black) • 9V Alkaline Battery

Fig.	Description	Digi-Key Part No.	Price Each 1	10	Pomona Part No.
1	Model 6723, Test Lead Kit with 8/32 Threaded Probe Tip	501-1101-ND	35.54	32.12	6723
2	Model 6341, Replaceable Tip Precision Electronic Probe	501-1003-ND	36.79	33.24	6341
3	Model 6731, Active Differential Probe	501-1005-ND	625.21	564.95	6731
—	Power Adapter for Model 6731	501-1006-ND	108.32	97.88	6732

◆ RoHS Compliant



Test Enclosures

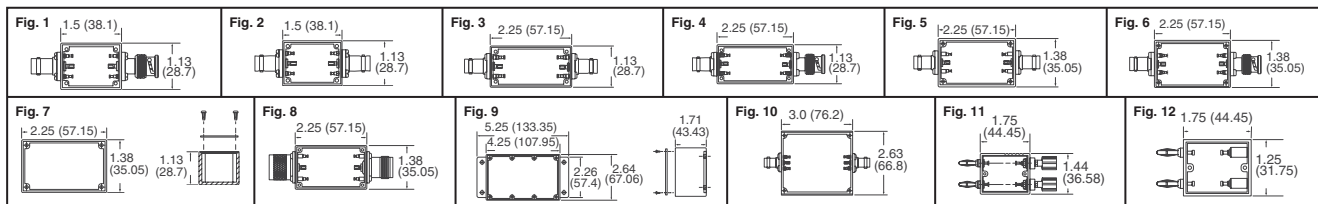


Fig.	Description	Digi-Key Part No.	Price Each 1	10	Pomona Part No.
Die Cast Aluminum - Blue					
1	Miniature Size Box, BNC Female to BNC Male with Cover	501-1103-ND	29.47	26.63	3752
2	Miniature Size Box, BNC Female/Female with Cover	501-1104-ND	31.31	28.29	3751
3	Size "A" Box, BNC Female/Female with Cover	501-1069-ND	26.54	23.99	2390
4	Size "A" Box, BNC Male/Female with Cover	501-1070-ND	28.92	26.13	2391
5	Size "B" Box, BNC Female/Female with Cover	501-1105-ND	25.35	22.91	3230
6	Size "B" Box, BNC Male/Female with Cover	501-1106-ND	30.44	27.51	3231
7	Size "B" Box Shield with Cover	501-1107-ND	8.45	7.64	2417

Fig.	Description	Digi-Key Part No.	Price Each 1	10	Pomona Part No.
8	Size "B" Box, Type N Male/Female with Cover	501-1112-ND	50.48	45.62	2411
9	Size "C" Box Shielded with Cover	501-1108-ND	20.53	18.56	2901
10	Size "D" Shielded Housing, BNC Female Both Ends with Cover	501-1111-ND	34.88	31.52	3602
Electrical Grade Phenolic - Black					
11	Box Component Mounting, Double Plug to Binding Posts w/Cover	501-1110-ND	28.70	25.94	2259
12	Box Component Mounting, Banana Jack to Double Plug w/Cover	501-1109-ND	18.96	17.13	2098

(Continued)

More Product Available Online: www.digikey.com

Toll-Free: 1-800-344-4539 • Phone 218-681-6674 • Fax: 218-681-3380

(T091) 2321

