

Round Aluminum Spacers (Non Threaded)

Materials: Brass: Nickel Plate (QQ-N-290)
Aluminum: Iridite Finish (MIL-C-5541)

Clearance Hole: • .120" for #4 Screw • .140 for #6 Screw • .171 for #8 Screw



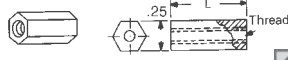
Screw (Hole)	Dim. L (Inch)	Brass Spacers Part No.	Pricing		Aluminum Spacers Part No.	Pricing	
			10	100		10	100
#4 (.120)	.125	1909K-ND	3.64	35.80	2036K-ND	2.13	17.65
	.250	1454AK-ND	4.14	39.50	3457K-ND	2.49	20.05
	.375	1454BK-ND	4.87	42.65	3458K-ND	2.96	23.75
	.500	1454CK-ND	5.38	51.20	3459K-ND	3.23	25.75
	.625	1919K-ND	8.24	45.80	2314K-ND	3.57	29.70
	.750	1454DK-ND	7.08	57.40	3460K-ND	4.00	31.95
	.875	1920K-ND	7.47	71.80	3402K-ND	4.49	36.25
	1.000	1454EK-ND	9.52	92.05	3461K-ND	4.28	39.85
	1.500	1924K-ND	16.62	161.55	3462K-ND	11.03	85.75
	2.000	1925K-ND	22.03	214.10	3463K-ND	11.72	114.10
#6 (.140)	.125	1934K-ND	3.64	35.80	3403K-ND	2.13	17.65
	.250	1457AK-ND	4.14	39.50	3464K-ND	2.49	20.05
	.375	1457BK-ND	4.50	42.65	3465K-ND	2.96	23.75
	.500	1457CK-ND	5.28	51.20	3466K-ND	3.23	25.75
	.625	1935K-ND	6.08	56.70	3429K-ND	3.57	29.70
	.750	1457DK-ND	6.15	57.40	3467K-ND	4.00	31.95
	.875	1936K-ND	9.82	89.00	3438K-ND	4.49	36.25
	1.000	1457EK-ND	9.78	92.05	3468K-ND	4.28	39.85
	1.500	1937K-ND	16.62	161.55	3469K-ND	10.37	85.75
	2.000	1938K-ND	21.90	212.50	3470K-ND	11.72	114.10
#8 (.171)	.125	1942K-ND	3.64	35.80	4258K-ND	2.13	17.65
	.250	1480K-ND	4.14	39.50	3471K-ND	2.49	20.05
	.375	1481K-ND	4.41	42.65	3472K-ND	2.96	23.75
	.500	1482K-ND	5.28	51.20	3473K-ND	3.23	25.75
	.625	2032K-ND	5.89	56.70	4259K-ND	3.57	29.70
	.750	1483K-ND	5.98	57.40	3474K-ND	4.00	31.95
	.875	2033K-ND	9.82	89.00	4260K-ND	4.49	36.25
	1.000	1484K-ND	10.11	92.05	3475K-ND	4.28	39.85
	1.500	2034K-ND	16.62	161.55	3476K-ND	10.02	85.75
	2.000	2035K-ND	21.90	212.50	3477K-ND	11.72	114.10

RoHS Compliant

Nylon Spacers

Hex Threaded Standoffs

Material: Nylon 6/6 Economical for terminal or printed circuit board supports.



Dim. L (Inch)	4-40 Thread Part No.	6-32 Thread Part No.	8-32 Thread Part No.	Pricing	
				10	100
.250	1902AK-ND	1903AK-ND	1904AK-ND	5.40	49.05
.375	1902BK-ND	1903BK-ND	1904BK-ND	5.53	49.85
.500	1902CK-ND	1903CK-ND	1904CK-ND	5.76	52.55
.625	1902FK-ND	1903FK-ND	1904FK-ND	6.09	55.70
.750	1902DK-ND	1903DK-ND	1904DK-ND	7.40	67.05
.875	1902GK-ND	1903GK-ND	1904GK-ND	6.87	62.35
1.000	1902EK-ND	1903EK-ND	1904EK-ND	8.51	67.30

Hex Threaded Standoffs - Flame Retardant

Material: Monsanto 340 FR UL 94V-0 rating

Dim. L (Inch)	4-40 Thread Part No.	6-32 Thread Part No.	8-32 Thread Part No.	Pricing	
				10	100
.250	8440AK-ND	8441AK-ND	8442AK-ND	7.26	65.80
.375	8440BK-ND	8441BK-ND	8442BK-ND	7.42	67.30
.500	8440CK-ND	8441CK-ND	8442CK-ND	7.72	70.30
.625	8440DK-ND	8441DK-ND	8442DK-ND	9.20	83.35
.750	8440EK-ND	8441EK-ND	8442EK-ND	21.96	153.48
.875	8440FK-ND	8441FK-ND	8442FK-ND	8.97	86.30
1.000	8440GK-ND	8441GK-ND	8442GK-ND	9.99	90.80

RoHS Compliant

Round Thru-Hole Spacers

Material: Nylon 6/6



Dim. L (Inch)	#4 Screw .120 Hole Part No.	#6 Screw .140 Hole Part No.	#8 Screw .171 Hole Part No.	Pricing	
				10	100
.125	875K-ND	883K-ND	891K-ND	1.41	12.25
.250	876K-ND	884K-ND	892K-ND	1.54	13.15
.375	877K-ND	885K-ND	893K-ND	1.83	16.75
.500	878K-ND	886K-ND	894K-ND	1.94	17.90
.625	879K-ND	887K-ND	895K-ND	2.09	19.35
.750	880K-ND	888K-ND	896K-ND	2.12	20.25
.875	881K-ND	889K-ND	897K-ND	2.41	23.20
1.000	882K-ND	890K-ND	898K-ND	2.55	24.30

Rubber Grommets



I.D. A (In.)	For Hole B (Inch)	For Panel C (Inch)	Dim. (Inch)		Digi-Key Part No.	Pricing		
			D	E		10	100	500
.125	.187	.062	.312	.187	730K-ND	1.26	12.25	41.50
.125	.250	.062	.343	.187	733K-ND	1.14	11.05	36.25
.125	.437	.062	.625	.187	734K-ND	12.51	116.35	375.50
.125	.375	.093	.500	.312	735K-ND	4.29	41.30	136.00
.187	.312	.062	.437	.218	736K-ND	1.38	13.50	43.75

I.D. A (In.)	For Hole B (Inch)	For Panel C (Inch)	Dim. (Inch)		Digi-Key Part No.	Pricing		
			D	E		10	100	500
.187	.312	.062	.437	.218	731K-ND	1.38	13.50	43.75
.187	.281	.093	.437	.218	737K-ND	3.30	31.60	105.50
.250	.437	.062	.625	.187	738K-ND	3.42	32.50	109.75
.250	.375	.062	.562	.250	739K-ND	1.74	17.00	55.25
.250	.375	.093	.500	.250	740K-ND	2.96	28.80	94.50
.312	.562	.062	.812	.312	741K-ND	6.15	59.20	196.00
.312	.437	.062	.625	.281	742K-ND	2.40	23.20	77.00
.312	.437	.093	.625	.312	743K-ND	3.67	35.80	117.75
.375	.625	.062	.875	.312	744K-ND	7.03	63.80	209.25
.375	.500	.062	.625	.250	745K-ND	1.89	18.35	60.75
.437	.687	.062	.937	.312	746K-ND	7.76	70.75	233.75
.500	.812	.062	1.062	.312	747K-ND	7.62	73.35	242.50
.500	1.250	.062	1.500	.25	748K-ND	9.29	89.10	294.50
.500	.750	.093	.968	.281	749K-ND	5.53	48.05	159.25
.562	.812	.062	1.062	.312	750K-ND	9.54	86.50	287.00
.625	.875	.062	1.125	.312	752K-ND	5.13	49.30	162.75
.625	1.250	.062	1.500	.250	753K-ND	14.33	130.05	428.00
.750	1.062	.062	1.375	.375	755K-ND	14.61	133.10	438.50
.750	1.437	.062	1.812	.375	756K-ND	33.32	313.00	1033.75
.875	1.250	.062	1.625	.437	757K-ND	21.03	202.95	669.00

RoHS Compliant

Threaded Mounting Brackets

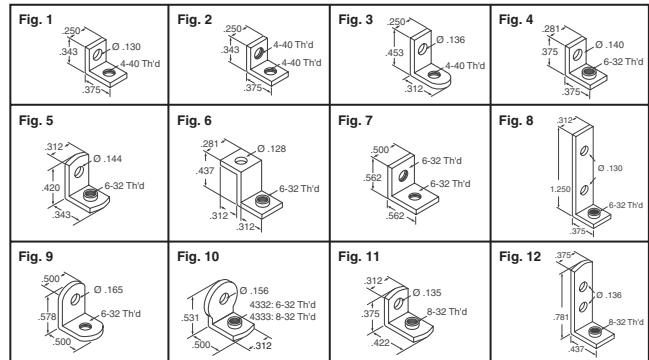
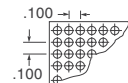


Fig.	Description	Digi-Key Part No.	Pricing	
			10	100
1	.062 Steel, Zinc Plate	612K-ND	2.19	20.05
2	.062 Steel, Zinc Plate	621K-ND	2.82	25.75
3	.047 Brass, Tin Plate	616K-ND	5.29	46.05
4	.032 Brass, Nickel Plate	634K-ND	4.60	37.45
5	.032 Brass, Tin Plate	614K-ND	2.51	24.30
6	.032 Brass, Tin Plate	630K-ND	12.99	101.15
7	.062 Steel, Nickel Plate	4334K-ND	6.03	48.60
8	.062 Steel, Nickel Plate	708K-ND	9.17	83.70
9	.062 Steel, Tin Plate	617K-ND	5.21	47.35
10	.062 Brass, Nickel Plate	4332K-ND	8.04	77.20
10	.062 Brass, Nickel Plate	4333K-ND	8.04	77.20
11	.037 Brass, Tin Plate	611K-ND	5.82	52.75
12	.037 Steel, Tin Plate	631K-ND	4.80	46.00

Prepunched Insulating Boards



Dimension - Inch Width	Inch Length	Digi-Key Part No.	Pricing		Keystone Part No.
			1	10	
Perfboard - Holes .042" (1.07mm) Dia., Glass Epoxy					
2.00	4.50	3405K-ND	5.22	48.72	3405
2.00	6.00	3406K-ND	6.81	63.56	3406
2.75	17.00	3407K-ND	20.40	190.40	3407
3.00	4.50	3408K-ND	7.11	66.36	3408
4.50	6.00	3409K-ND	9.96	92.96	3409
4.50	6.50	3410K-ND	11.52	107.52	3410
4.50	8.50	3411K-ND	14.28	132.60	3411
4.50	17.00	3412K-ND	27.99	261.24	3412
6.00	17.00	3413K-ND	37.68	351.68	3413

Miscellaneous Hardware



Description	Digi-Key Part No.	Pricing		Keystone Part No.
		1	10	
LED Spacer Mounts				
Universal Tri-Lead T-1 & T-1 3/4, 0.120"L	8900K-ND	.16	1.53	8900
Universal Tri-Lead T-1 & T-1 3/4, 0.440"L	8918K-ND	.19	1.83	8918
Self-Aligning Bi-Lead T-1, 0.140"L	7352K-ND	.16	1.53	7352
Self-Aligning Bi-Lead T-1 3/4, 0.250"L	8318K-ND	.17	1.59	8318
Self-Aligning Bi-Lead T-1 3/4, 0.340"L	8323K-ND	.18	1.65	8323
Spacers				
Aluminum Economy, #6 screw, 0.625"L	410K-ND	.13	1.27	410
Round, Swage Clear, #6 screw, 0.109"L	5064-2K-ND	.63	5.55	5064-2
Threaded Standoff				
Force-Fit, 4-40 Thread, 0.065"L	4861K-ND	.70	6.16	4861
Phenolic, 6-32 Thread, 0.750"L	386K-ND	.85	7.43	386
Round Swage, 2-56 Thread, 0.125"L	1589-2K-ND	.60	4.73	1589-2
Hex Swage, 6-32 Thread, 0.375"L	1622-2K-ND	.57	5.90	1622-2
PCI Computer Bracket	9203K-ND	2.15	19.80	9203K

More Product Available Online: www.digikey.com

Toll-Free: 1-800-344-4539 • Phone 218-681-6674 • Fax: 218-681-3380

(T091) 2279