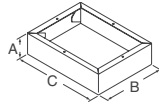


Dimensions in Inch (mm)

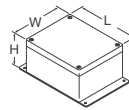
**Fig. 21 — Aluminum Chassis**

- Welded at stress points for assured, maximum strength and rigidity
  - Sides folded in at bottom for additional support
  - Bottom plate easily attached
  - Natural finish
- NOTE: Bottom plate sold separately.**



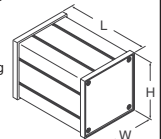
**Fig. 22 — Die Cast Econobox with or without Mounting Flanges**

- ADC-10 aluminum alloy
- Heavy duty .09" thick external wall mounting bracket
- Mounts to wall or panel with #10 size screws (not included)



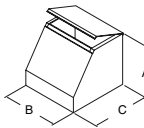
**Fig. 23 — Extruded Aluminum Boxes**

- One piece extruded aluminum housing
- Individual aluminum end panels
- ABS plastic panel bezels
- Internal PCB card guides



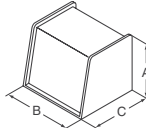
**Fig. 24 — Sloping Panel Cabinets**

- Steel
- Removable front panel
- Hinged top opens completely for access to components mounted on chassis



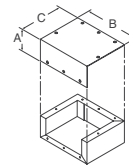
**Fig. 25 — Slope Enclosures**

- Solid Top
- .09" Base
- .05" Cover
- Rubber Feet



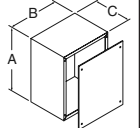
**Fig. 26 — Converta Boxes**

- Welded base and two-sided cover
- .05" aluminum
- Natural finish



**Fig. 27 — Utility Cabinets**

- Sturdy, all-welded body
- Available in .040" aluminum or 20 gauge steel: "AU" prefix — aluminum alloy in natural finish; "CU" prefix — steel in metallic gray finish



**Aluminum Chassis**

Color	Dimensions - Inch (mm)			Digi-Key Part No.	Price Each		Bud Ind. Part No.
	A	B	C		1	10	
<b>Fig. 21 — Aluminum Chassis</b>							
Natural	1.50 (38.1)	4.00 (100.4)	6.00 (152.4)	377-1000-ND	9.80	8.22	AC-1405
	2.00 (50.8)	6.00 (152.4)	8.00 (203.2)	377-1001-ND	12.50	10.40	AC-1413
	2.50 (63.5)	8.00 (203.2)	10.00 (254)	377-1002-ND	20.20	16.89	AC-1418
	2.50 (63.5)	8.00 (203.2)	12.00 (304.8)	377-1003-ND	25.00	20.86	AC-1419
	5.00 (127)	10.00 (254)	17.00 (431.8)	377-1004-ND	57.40	47.91	AC-1422
	5.00 (127)	13.00 (330.2)	17.00 (431.8)	377-1005-ND	66.20	55.28	AC-1426
	3.00 (76.2)	14.00 (355.6)	17.00 (431.8)	377-1006-ND	48.20	40.22	AC-1427
	4.00 (101.6)	15.00 (381)	17.00 (431.8)	377-1007-ND	65.40	54.59	AC-1428
	6.00 (152.4)	15.00 (381)	17.00 (431.8)	377-1008-ND	92.60	77.33	AC-1429
	3.00 (76.2)	17.00 (431.8)	17.00 (431.8)	377-1009-ND	56.10	46.86	AC-1430
	4.00 (101.6)	17.00 (431.8)	17.00 (431.8)	377-1010-ND	72.30	60.41	AC-1431
	2.00 (50.8)	5.00 (127)	7.00 (177.8)	377-1011-ND	10.90	9.07	AC-402
	2.00 (50.8)	5.00 (127)	9.50 (241.3)	377-1012-ND	13.20	10.95	AC-403
	3.00 (76.2)	5.00 (127)	10.00 (254)	377-1013-ND	16.80	14.02	AC-404
	2.00 (50.8)	7.00 (177.8)	7.00 (177.8)	377-1014-ND	11.40	9.42	AC-405
	2.00 (50.8)	7.00 (177.8)	9.00 (228.6)	377-1015-ND	13.80	11.49	AC-406
	2.00 (50.8)	7.00 (177.8)	11.00 (279.4)	377-1016-ND	16.00	13.32	AC-407
	3.00 (76.2)	7.00 (177.8)	12.00 (304.8)	377-1017-ND	21.20	17.89	AC-408
	2.00 (50.8)	7.00 (177.8)	13.00 (330.2)	377-1018-ND	17.40	14.57	AC-409
	3.00 (76.2)	7.00 (177.8)	15.00 (381)	377-1019-ND	27.60	23.04	AC-411
	3.00 (76.2)	8.00 (203.2)	17.00 (431.8)	377-1020-ND	28.70	24.03	AC-412
	3.00 (76.2)	10.00 (254)	12.00 (304.8)	377-1021-ND	32.20	26.96	AC-413
	3.00 (76.2)	10.00 (254)	14.00 (355.6)	377-1022-ND	32.80	27.50	AC-414
	2.00 (50.8)	10.00 (254)	17.00 (431.8)	377-1023-ND	29.20	24.43	AC-415
	3.00 (76.2)	10.00 (254)	17.00 (431.8)	377-1024-ND	34.20	28.54	AC-416
	3.00 (76.2)	12.00 (304.8)	17.00 (431.8)	377-1025-ND	36.10	30.07	AC-418
	2.00 (50.8)	13.00 (330.2)	17.00 (431.8)	377-1026-ND	37.00	30.86	AC-419
	3.00 (76.2)	13.00 (330.2)	17.00 (431.8)	377-1027-ND	42.60	35.57	AC-420
	3.00 (76.2)	5.00 (127)	9.50 (241.3)	377-1028-ND	16.70	13.92	AC-421
	3.00 (76.2)	8.00 (203.2)	12.00 (304.8)	377-1029-ND	25.40	21.21	AC-422
	4.00 (101.6)	13.00 (330.2)	17.00 (431.8)	377-1030-ND	49.20	41.13	AC-423
	4.00 (101.6)	13.00 (330.2)	17.00 (431.8)	377-1031-ND	51.90	43.29	AC-428
	3.00 (76.2)	5.00 (127)	7.00 (177.8)	377-1032-ND	14.00	11.69	AC-429
	3.00 (76.2)	4.00 (101.6)	6.00 (152.4)	377-1033-ND	12.40	10.30	AC-430
	2.00 (50.8)	4.00 (101.6)	6.00 (152.4)	377-1034-ND	10.10	8.47	AC-431

**Chassis Bottom Plates**

Color	Dimensions - Inch (mm)		Digi-Key Part No.	Price Each		Bud Ind. Part No.
	Fits Width	Chassis Length		1	10	
Natural	4.00 (101.6)	6.00 (152.4)	377-1035-ND	5.00	4.17	BPA-1505
	6.00 (152.4)	8.00 (203.2)	377-1036-ND	7.10	5.85	BPA-1513
	8.00 (203.2)	10.00 (254)	377-1037-ND	8.80	7.34	BPA-1518
	8.00 (203.2)	12.00 (304.8)	377-1038-ND	10.70	8.97	BPA-1519
	8.00 (203.2)	17.00 (431.8)	377-1039-ND	11.00	9.22	BPA-1520
	10.00 (254)	12.00 (304.8)	377-1040-ND	10.70	8.97	BPA-1523
	10.00 (254)	14.00 (355.6)	377-1041-ND	10.70	8.97	BPA-1524
	12.00 (304.8)	17.00 (431.8)	377-1042-ND	15.30	12.79	BPA-1528
	14.00 (355.6)	17.00 (431.8)	377-1043-ND	16.20	13.52	BPA-1529
	15.00 (381)	17.00 (431.8)	377-1044-ND	20.30	16.94	BPA-1530
	17.00 (431.8)	17.00 (431.8)	377-1045-ND	24.70	20.61	BPA-1531
	5.00 (127)	7.00 (177.8)	377-1046-ND	4.90	4.07	BPA-1589
	5.00 (127)	9.50 (241.3)	377-1047-ND	5.00	4.17	BPA-1590
	5.00 (127)	10.00 (254)	377-1048-ND	4.90	4.07	BPA-1591
	7.00 (177.8)	7.00 (177.8)	377-1049-ND	4.90	4.07	BPA-1592
	7.00 (177.8)	9.00 (228.6)	377-1050-ND	6.10	5.11	BPA-1593
	7.00 (177.8)	11.00 (279.4)	377-1051-ND	6.30	5.25	BPA-1594
	7.00 (177.8)	12.00 (304.8)	377-1052-ND	6.90	5.75	BPA-1595
10.00 (254)	17.00 (431.8)	377-1053-ND	11.30	9.47	BPA-1597	
13.00 (330.2)	17.00 (431.8)	377-1054-ND	15.80	13.17	BPA-1598	

**Diecast Aluminum Econoboxes**

Finish	Dimensions - Inch (mm)			Digi-Key Part No.	Price Each		Bud Ind. Part No.
	L	W	H		1	10	
<b>Fig. 22 — Econobox</b>							
Natural	3.62 (91.95)	1.50 (38.10)	1.21 (30.73)	377-1107-ND	6.90	5.75	CU-123
	4.37 (111.00)	2.37 (60.20)	1.21 (30.73)	377-1108-ND	7.20	6.05	CU-124
	4.68 (118.87)	3.68 (93.47)	2.21 (56.13)	377-1109-ND	11.60	9.65	CU-234
	7.39 (187.71)	4.70 (119.38)	2.21 (56.13)	377-1110-ND	19.60	16.35	CU-247
			377-1111-ND	23.00	19.20	CU-347	
<b>Fig. 22 — Econobox with Mounting Flanges</b>							
Natural	3.62 (91.95)	1.50 (38.10)	1.21 (30.73)	377-1462-ND	14.40	12.03	CU-4123
Black	3.62 (91.95)	1.50 (38.10)	1.21 (30.73)	377-1463-ND	16.50	13.78	CU-4123-B
Natural	4.37 (111.00)	2.37 (60.20)	1.21 (30.73)	377-1464-ND	18.40	15.34	CU-4124
Black	4.37 (111.00)	2.37 (60.20)	1.21 (30.73)	377-1465-ND	19.90	16.56	CU-4124-B
Natural	4.68 (118.87)	3.68 (93.47)	2.21 (56.13)	377-1466-ND	24.20	20.17	CU-4234

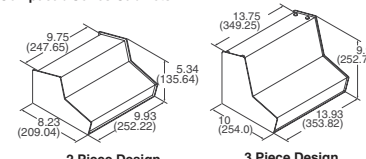
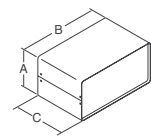
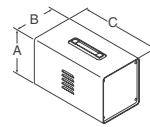
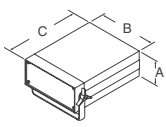
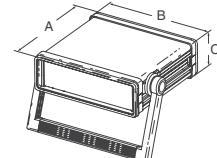
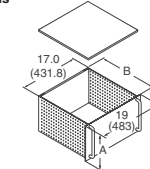
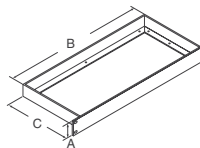
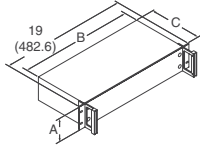
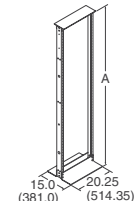
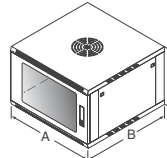
Finish	Dimensions - Inch (mm)			Digi-Key Part No.	Price Each		Bud Ind. Part No.
	L	W	H		1	10	
<b>Fig. 23 — Extruded Aluminum Boxes</b>							
Black	4.68 (118.87)	3.68 (93.47)	2.21 (56.13)	377-1467-ND	27.00	22.48	CU-4234-B
Natural	7.39 (187.71)	4.70 (119.38)	2.21 (56.13)	377-1468-ND	32.20	26.86	CU-4247
Black	7.39 (187.71)	4.70 (119.38)	2.21 (56.13)	377-1469-ND	37.20	31.00	CU-4247-B
Natural	7.39 (187.71)	4.70 (119.38)	3.21 (81.53)	377-1470-ND	37.70	31.44	CU-4347
Black	7.39 (187.71)	4.70 (119.38)	3.21 (81.53)	377-1471-ND	42.70	35.59	CU-4347-B
Natural	2.00 (50.8)	2.00 (50.8)	1.25 (31.75)	377-1472-ND	13.80	11.50	CU-4470
Black	2.00 (50.8)	2.00 (50.8)	1.25 (31.75)	377-1473-ND	14.90	12.44	CU-4470-B
Natural	4.33 (109.98)	3.25 (82.55)	1.75 (44.45)	377-1474-ND	20.50	17.09	CU-4471
Black	4.33 (109.98)	3.25 (82.55)	1.75 (44.45)	377-1475-ND	23.00	19.17	CU-4471-B
Natural	4.75 (120.65)	3.15 (80.01)	2.33 (59.18)	377-1476-ND	23.80	19.84	CU-4472
Black	4.75 (120.65)	3.15 (80.01)	2.33 (59.18)	377-1477-ND	27.00	22.48	CU-4472-B
Natural	4.68 (118.87)	3.68 (93.47)	1.34 (34.04)	377-1478-ND	22.40	18.65	CU-4473
Black	4.68 (118.87)	3.68 (93.47)	1.34 (34.04)	377-1479-ND	25.20	21.03	CU-4473-B
Natural	4.75 (120.65)	4.75 (120.65)	2.33 (59.18)	377-1480-ND	29.40	24.53	CU-4474
Black	4.75 (120.65)	4.75 (120.65)	2.33 (59.18)	377-1481-ND	33.40	27.84	CU-4474-B
Natural	4.75 (120.65)	4.75 (120.65)	3.75 (95.25)	377-1482-ND	33.90	28.26	CU-4475
Black	4.75 (120.65)	4.75 (120.65)	3.75 (95.25)	377-1483-ND	38.00	31.67	CU-4475-B
Natural	6.00 (152.4)	3.25 (82.55)	2.00 (50.8)	377-1484-ND	28.40	23.67	CU-4476
Black	6.00 (152.4)	3.25 (82.55)	2.00 (50.8)	377-1485-ND	31.70	26.40	CU-4476-B
Natural	7.39 (187.71)	4.70 (119.38)	1.50 (38.1)	377-1486-ND	29.60	24.67	CU-4477
Black	7.39 (187.71)	4.70 (119.38)	1.50 (38.1)	377-1487-ND	34.50	28.73	CU-4477-B
Natural	7.50 (190.5)	7.50 (190.5)	2.62 (66.55)	377-1488-ND	47.00	39.19	CU-4478
Black	7.50 (190.5)	7.50 (190.5)	2.62 (66.55)	377-1489-ND	53.10	44.28	CU-4478-B
Natural	4.37 (111.00)	2.37 (60.20)	2.13 (54.10)	377-1490-ND	21.90	18.28	CU-4479
Black	4.37 (111.00)	2.37 (60.20)	2.13 (54.10)	377-1491-ND	23.40	19.50	CU-4479-B

**Extruded Aluminum Boxes**

Color	Dimensions - Inch (mm)			Digi-Key Part No.	Price Each		Bud Ind. Part No.
	L	W	H		1	10	
<b>Fig. 23 — Extruded Aluminum Boxes</b>							
	3.81 (96.77)	3.14 (79.76)	1.57 (39.88)	377-1492-ND	14.30	11.94	EX-4500
	5.38 (136.65)	3.14 (79.76)	1.57 (39.88)	377-1493-ND	18.20	15.17	EX-4501
	6.96 (176.78)	3.14 (79.76)	1.57 (39.88)	377-1494-ND	22.00	18.32	EX-4502
	6.14 (155.96)	5.38 (136.65)	3				



Dimensions in Inch (mm)

<p><b>Fig. 28— Small Compucab Series Cabinets</b></p> <ul style="list-style-type: none"> <li>• Dual-slope keyboard styling</li> <li>• Base and side .09" aluminum;</li> <li>• Back panel and cover .05" aluminum</li> <li>• Rubber feet included</li> </ul>  <p><b>2 Piece Design</b>      <b>3 Piece Design</b></p>	<p><b>Fig. 29 — Champion Cabinets</b></p> <ul style="list-style-type: none"> <li>• No screws on front or rear panel</li> <li>• Ventilation slots in bottom and rear panel</li> <li>• Black top and bottom; white front and rear</li> <li>• .05" aluminum</li> <li>• Four adhesive rubber feet included</li> </ul> 	<p><b>Fig. 30 — Portacab Cabinets</b></p> <ul style="list-style-type: none"> <li>• Designed for bench or portable use</li> <li>• Louvered sides</li> <li>• .05" aluminum</li> <li>• Metallic gray</li> <li>• Handle capacity 25 pounds</li> <li>• Four plastic feet included</li> </ul> 	
<p><b>Fig. 31 — TR Series Cabinets</b></p> <ul style="list-style-type: none"> <li>• Top and bottom .05" aluminum; front panel .09" aluminum</li> <li>• Extruded aluminum frame</li> <li>• Corner gussets for added support</li> <li>• Carrying handle may be used as tilting bail</li> <li>• Front panel, self-adhesive rubber feet and handle/bail included</li> <li>• Royal blue texture body with white frame and bail</li> </ul> 	<p><b>Fig. 32 — Aluminum Instrument Case</b></p> <ul style="list-style-type: none"> <li>• Aluminum body with plastic front and rear bezels</li> <li>• Removable front and rear panels</li> <li>• Adjustable locking aluminum/handle</li> <li>• Extruded internal grooves for horizontal mounting of circuit board, chassis or panel</li> </ul> 	<p><b>Fig. 33 — Rack Mount Chassis</b></p> <ul style="list-style-type: none"> <li>• Front panel .12" thick mill finish aluminum with "Surface Shield" protection</li> <li>• Side panels are punched on a .87" grid</li> <li>• Handles and covers sold separately</li> </ul> 	
<p><b>Fig. 34 — Small Rack Mount Chassis</b></p>  <ul style="list-style-type: none"> <li>• Panels .10" thick aluminum; chassis .05" thick aluminum</li> <li>• Covers sold separately</li> </ul>	<p><b>Fig. 35 — ValuLine Cabinets</b></p>  <ul style="list-style-type: none"> <li>• Side and front panels .09" aluminum; base, rear and top .05" aluminum</li> <li>• 25lbs. load capacity</li> <li>• Rack mounting brackets and rubber feet included</li> </ul>	<p><b>Fig. 36 — Open Racks</b></p>  <ul style="list-style-type: none"> <li>• Panel holes #12-24 tapped</li> <li>• 1,000 pounds load capacity</li> </ul>	<p><b>Fig. 37 — VisionCab Cabinets</b></p>  <ul style="list-style-type: none"> <li>• Versatile steel cabinet</li> <li>• EIA spacing</li> <li>• Supplied with see-thru removable front door with clear acrylic window</li> <li>• Equipped with 110VAC, 105CFM exhaust fan for cooling</li> </ul>

**Small Cabinets**

Description	Digi-Key Part No.	Price Each		Bud Ind. Part No.
		1	5	
<b>Fig. 28 — Compucab Series — Small Metal Enclosures</b>				
2 Piece Design	377-1296-ND	83.00	69.30	SC-13100
3 Piece Design	377-1297-ND	161.60	134.90	SC-13101

Color	Dimensions - Inch (mm)			Digi-Key Part No.	Price Each		Bud Ind. Part No.
	A	B	C		1	10	
<b>Fig. 29 — Champion Series Cabinets</b>							
Black	6.00 (152.4)	12.00 (304.8)	10.00 (254)	377-1210-ND	102.70	85.70	CS-11212-BT
	8.00 (203.2)	9.00 (228.6)	8.00 (203.2)	377-1211-ND	100.10	83.51	CS-11214-BT
	8.00 (203.2)	12.00 (304.8)	10.00 (254)	377-1212-ND	112.50	93.89	CS-11216-BT

**Portable Cabinets**

Color	Dimensions - Inch (mm)			Digi-Key Part No.	Price Each		Bud Ind. Part No.
	A	B	C		1	10	
<b>Fig. 30 — Portacab Cabinets</b>							
Gray	8.00 (203.2)	6.12 (155.45)	8.00 (203.2)	377-1315-ND	107.70	89.85	WA-1540
	9.00 (228.6)	8.12 (206.25)	12.00 (304.8)	377-1316-ND	148.70	124.15	WA-1541
	8.00 (203.2)	10.12 (257.05)	8.00 (203.2)	377-1317-ND	126.50	105.70	WA-1542
	11.00 (279.4)	11.12 (282.45)	18.00 (457.2)	377-1318-ND	202.80	169.37	WA-1543

Color	Dimensions - Inch (mm)			Digi-Key Part No.	Price Each		Bud Ind. Part No.
	A	B	C		1	10	
<b>Fig. 31 — TR Series Cabinets</b>							
Blue/White	3.50 (88.9)	8.31 (211.07)	10.75 (273.05)	377-1312-ND	261.70	218.53	TR-6100
	5.25 (133.35)	8.31 (211.07)	13.25 (336.55)	377-1313-ND	280.20	233.94	TR-6101
	7.00 (177.8)	11.06 (280.9)	13.25 (336.55)	377-1055-ND	320.80	267.83	TR-6102

Color	Dimensions - Inch (mm)			Digi-Key Part No.	Price Each		Bud Ind. Part No.
	A	B	C		1	5	
<b>Fig. 32 — Aluminum Instrument Cases</b>							
Natural	12.93 (328.42)	8.27 (210.06)	2.72 (69.09)	377-1561-ND	108.20	90.35	IA-6160
	12.93 (328.42)	10.16 (258.06)	2.72 (69.09)	377-1562-ND	125.90	105.15	IA-6161
	12.93 (328.42)	8.27 (210.06)	4.92 (124.97)	377-1563-ND	133.50	111.45	IA-6162
	12.93 (328.42)	10.16 (258.06)	4.02 (102.11)	377-1564-ND	147.80	123.40	IA-6163

**Showcase — Rack Mount Chassis**

Dimensions - Inch (mm)		Handles	Digi-Key Part No.	Price Each		Bud Ind. Part No.
A	B			1	5	
<b>Fig. 33 — Rack Mount Chassis</b>						
5.25 (133.35)	17.06 (433.32)	H-9160-B	377-1268-ND	71.30	59.53	RM-14212
7.00 (177.8)	17.06 (433.32)	H-9111-B	377-1269-ND	81.60	68.13	RM-14213
5.25 (133.35)	22.00 (558.8)	H-9160-B	377-1392-ND	80.30	67.05	RM-14222
7.00 (177.8)	22.00 (558.8)	H-9111-B	377-1393-ND	94.20	78.69	RM-14223
8.75 (222.25)	22.00 (558.8)	H-9112-B	377-1394-ND	114.70	95.79	RM-14224
10.50 (266.7)	22.00 (558.8)	H-9113-B	377-1395-ND	136.70	114.16	RM-14225

Description	Fits Chassis	Digi-Key Part No.	Price Each		Bud Ind. Part No.
			1	10	
<b>Rack Mount Chassis Covers</b>					
Solid Top or Bottom Cover	RM-14212-13	377-1310-ND	29.60	24.75	TBC-14252
Ventilated Top or Bottom Cover		377-1311-ND	33.10	27.65	TBC-14262
Solid Top or Bottom Cover	RM-14222-25	377-1396-ND	33.60	28.10	TBC-14253
Ventilated Top or Bottom Cover		377-1397-ND	35.50	29.70	TBC-14263

Dimensions - Inch (mm)		Fits Rack Inch (mm)	Digi-Key Part No.	Price Each		Bud Ind. Part No.
A x B x C				1	10	
<b>Fig. 34 — Small Rack Mount Chassis</b>						
1.75 x 17.00 x 4.00 (44.45 x 431.8 x 101.6)		19.00 (482.6)	377-1205-ND	39.60	33.09	CH-14400
1.75 x 17.00 x 8.00 (44.45 x 431.8 x 203.2)		19.00 (482.6)	377-1206-ND	47.90	40.02	CH-14401
1.75 x 17.00 x 16.00 (44.45 x 431.8 x 406.4)		19.00 (482.6)	377-1207-ND	69.90	58.43	CH-14402
3.50 x 17.00 x 8.00 (88.9 x 431.8 x 203.2)		19.00 (482.6)	377-1208-ND	67.50	56.35	CH-14403
3.50 x 17.00 x 16.00 (88.9 x 431.8 x 406.4)		19.00 (482.6)	377-1209-ND	86.70	72.40	CH-14404

Description	Fits Chassis	Digi-Key Part No.	Price Each		Bud Ind. Part No.
			1	10	
<b>Small Rack Mount Chassis Covers</b>					
Ventilated Top or Bottom Cover Solid Top or Bottom Cover	CH-14400	377-1417-ND 377-1420-ND	11.90 10.00	9.96 8.34	C-14430 C-14440
Ventilated Top or Bottom Cover Solid Top or Bottom Cover	CH-14401, 03	377-1418-ND 377-1421-ND	20.00 15.80	16.73 13.17	C-14431 C-14441
Ventilated Top or Bottom Cover Solid Top or Bottom Cover	CH-14402, 04	377-1419-ND 377-1422-ND	32.00 27.00	26.73 22.55	C-14432 C-14442

Dimensions - Inch (mm)		Fits Rack Inch (mm)	Digi-Key Part No.	Price Each		Bud Ind. Part No.
A x B x C				1	5	
<b>Fig. 35 — ValuLine Series Cabinets (with handles)</b>						
3.50 x 17.00 x 8.00 (88.9 x 431.8 x 203.2)		19.00 (482.6)	377-1238-ND	97.00	81.00	HC-14099
3.50 x 17.00 x 13.00 (88.9 x 431.8 x 330.2)		19.00 (482.6)	377-1239-ND	188.90	157.70	HC-14101
5.25 x 17.00 x 13.00 (133.35 x 431.8 x 330.2)		19.00 (482.6)	377-1240-ND	194.70	162.60	HC-14103
7.00 x 17.00 x 13.00 (177.8 x 431.8 x 330.2)		19.00 (482.6)	377-1241-ND	204.40	170.70	HC-14104
8.75 x 17.00 x 13.00 (222.25 x 431.8 x 330.2)		19.00 (482.6)	377-1242-ND	214.20	178.85	HC-14105
10.50 x 17.00 x 15.00 (266.7 x 431.8 x 381)		19.00 (482.6)	377-1243-ND	239.60	200.05	HC-14107

**Open Racks**

Color	Dimensions - Inch (cm)		Digi-Key Part No.	Price Each		Bud Ind. Part No.
	A	Panel Space		1	5	
<b>Fig. 36 — Aluminum Open Racks</b>						
Black	84.00 (213.36)	77.00 x 19.00 (195.58 x 48.26)	377-1196-ND	260.00	217.08	ARR-1272-BT
Natural	84.00 (213.36)	77.00 x 19.00 (195.58 x 48.26)	377-1197-ND	240.00	200.44	ARR-1272-NF

Color	Dimensions - Inch (cm)		Digi-Key Part No.	Price Each		Bud Ind. Part No.
	A	Panel Space		1	5	
<b>NEW! Fig. 36 — Steel Open Racks NEW!</b>						
Gray	70.625 (179.38)	66.5 x 19.00 (168.91 x 48.26)	377-1275-ND	261.70	218.09	RR-1264-MG
Black			377-1407-ND	261.70	218.09	RR-1264-BT
Gray	75.625 (192.08)	71.75 x 19.00 (182.24 x 48.26)	377-1282-ND	267.50	222.92	RR-1364-MG
Black			377-1281-ND	267.50	222.92	RR-1364-BT

**VisionCab Cabinets**

Dimensions - Inch (mm)			Panel Space Height - In. (mm)	Digi-Key Part No.	Price Each		Bud Ind. Part No.
A	B	C			1	10	
<b>Fig. 37 — VisionCab Cabinets - Black</b>							
23.62 (599.95)	23.62 (599.95)	15.29 (388.37)	10.50 (266.70)	377-1581-ND	293.40	220.05	VC-9930
23.62 (599.95)	23.62 (599.95)	20.54 (521.72)	15.75 (400.05)	377-1582-ND	337.80	253.35	VC-9931
23.62 (599.95)	23.62 (599.95)	25.79 (655.07)	21.00 (533.40)	377-1583-ND	404.50	303.36	VC-9932
23.62 (599.95)	23.62 (599.95)	31.04 (788.42)	26.25 (666.75)	377-1584-ND	488.90	366.66	VC-9933
23.62 (599.95)	23.62 (599.95)	36.29 (921.77)	31.50 (800.10)	377-1585-ND	546.70	410.00	VC-9934

(Continued)

More Product Available Online: [www.digkey.com](http://www.digkey.com)

Toll-Free: 1-800-344-4539 • Phone 218-681-6674 • Fax: 218-681-3380

(T091) 2257

<p><b>Fig. 38 — Emperor Wall Mount Cabinets NEW!</b></p> <ul style="list-style-type: none"> <li>Fits 19" panel</li> <li>Mouse pad slides underneath right or left</li> <li>Takes up 2-U of panel space</li> </ul>	<p><b>Fig. 39 — Keyboard/Mouse Shelf</b></p> <ul style="list-style-type: none"> <li>High quality</li> <li>Designed for long wear</li> </ul>	<p><b>Fig. 40 — Stationary Shelves</b></p> <ul style="list-style-type: none"> <li>Fits 19" wide panel spaces</li> <li>Supports up to 200 pounds</li> <li>Requires two pairs of panel mounting rails per cabinet</li> </ul>	<p><b>Fig. 41 — External Mount Brackets NEW!</b></p>
<p><b>Fig. 42 — Equipment Shelves</b></p> <ul style="list-style-type: none"> <li>Fits 19" panel spaces</li> <li>One piece construction</li> <li>Supports 150 pounds</li> </ul>	<p><b>Fig. 43 — Handles</b></p> <ul style="list-style-type: none"> <li>High quality</li> <li>Designed for long wear</li> </ul>	<p><b>Fig. 44 — Panels</b></p>	<p><b>Fig. 45 — Slides</b></p> <ul style="list-style-type: none"> <li>Telescoping</li> <li>Zinc-plated alloy steel with ball bearings</li> </ul>
<p><b>Fig. 46 — Slide Mounting Brackets</b></p> <ul style="list-style-type: none"> <li>Designed for mounting two and three piece slides</li> <li>Sold in pairs</li> </ul>	<p><b>Fig. 47 — Tem-Stat Temperature Control</b></p> <ul style="list-style-type: none"> <li>Contacts open when there is a 10°F drop in temperature</li> <li>Prevents shut-downs caused by overheating</li> </ul>	<p><b>Fig. 48 — Fan Tray Assemblies</b></p> <ul style="list-style-type: none"> <li>Standard EIA 19.00" x 1-U (1.75") panel mounting</li> <li>115VAC</li> <li>7" long, three prong, power cord</li> </ul>	

**NEW! Emperor Wall Mount Cabinets**

Dimensions - Inch (cm)			Digi-Key Part No.	Price Each		Bud Ind. Part No.
A	B	C		1	10	
<b>Fig. 38 — Emperor Wall Mount</b>						
23.62 (59.99)	15.75 (40.00)	25.00 (63.5)	377-1624-ND	428.00	356.67	WM-5601
23.62 (59.99)	15.75 (40.00)	51.34 (130.40)	377-1625-ND	656.30	546.92	WM-5606
23.62 (59.99)	21.65 (54.99)	25.00 (63.5)	377-1626-ND	485.10	404.26	WM-5611
23.62 (59.99)	21.65 (54.99)	51.34 (130.40)	377-1627-ND	713.30	594.42	WM-5616

**Accessories**

Color	Maximum Panel Keyboard Width - Inch (cm)	Digi-Key Part No.	Price Each		Bud Ind. Part No.
<b>Fig. 39 — Keyboard / Mouse Shelf</b>			1	10	
Black	19.0 x 16.5 (48.26 x 41.91)	377-1244-ND	198.00	165.33	KS-1785-BT

Color	Dimensions - Inch (cm)		Digi-Key Part No.	Price Each		Bud Ind. Part No.
	Width	Depth		1	3	
<b>Fig. 40 — Stationary Shelves — Non-Ventilated</b>						
Black	17.90 (45.47)	26.50 (67.31)	377-1306-ND	89.30	66.90	SH-2382
	17.90 (45.47)	19.25 (48.90)	377-1188-ND	79.40	59.50	60-2380
	17.90 (45.47)	22.75 (57.79)	377-1189-ND	83.40	62.50	60-2381
	17.00 (43.18)	17.75 (45.09)	377-1416-ND†	144.00	—	SH-2388

Color	Dimensions - Inch (cm)		Digi-Key Part No.	Price Each		Bud Ind. Part No.
	Width	Depth		1	3	
<b>Fig. 40 — Stationary Shelves - Ventilated</b>						
Black	17.90 (45.47)	17.75 (45.09)	377-1307-ND	83.20	62.35	SH-2384
	17.90 (45.47)	21.25 (53.98)	377-1308-ND	86.30	64.65	SH-2385
	17.90 (45.47)	26.50 (67.31)	377-1309-ND	93.50	70.05	SH-2386
	17.00 (43.18)	17.75 (45.09)	377-1415-ND†	146.40	—	SH-2392

Color	Slide Length	Dimensions - Inch (cm)		Digi-Key Part No.	Price Each		Bud Ind. Part No.
		Travel	Load Rating (per pair)		1	3	
<b>NEW! Fig. 41 — External Mount Brackets</b>							
Dk. Gray	—	—	—	377-1628-ND	2.00	1.67	MB-1390-DG
Lt. Gray	—	—	—	377-1629-ND	2.00	1.67	MB-1390-LG

† Sliding Shelf

Color	Dimensions - Inch (cm)		Digi-Key Part No.	Price Each		Bud Ind. Part No.
	A	B		1	10	
<b>Fig. 42 — Equipment Shelves - Open Rack - Non-Ventilated</b>						
Black	17.62 (44.75)	15.00 (38.10)	377-1291-ND	73.60	61.45	SA-1750-BT
	17.62 (44.75)	20.00 (50.80)	377-1293-ND	88.00	73.50	SA-1752-BT
<b>Fig. 42 — Equipment Shelves - Open Rack - Ventilated</b>						
Black	17.62 (44.75)	15.00 (38.10)	377-1292-ND	80.40	67.15	SA-1751-BT
	17.62 (44.75)	20.00 (50.80)	377-1294-ND	95.40	79.65	SA-1753-BT

Hand Clearance	Dimensions - Inch (mm)		Digi-Key Part No.	Price Each		Bud Ind. Part No.
	Mounting Center	Diameter		1	10	
<b>Fig. 43A — Chrome Plated Handles</b>						
1.25 (31.75)	6.00 (152.4)	.37 (9.398)	377-1228-ND*	8.30	6.95	H-9110-B
.93 (23.62)	4.00 (101.6)	.37 (9.398)	377-1229-ND*	6.40	5.30	H-9111-B
.93 (23.62)	6.00 (152.4)	.37 (9.398)	377-1230-ND*	7.80	6.50	H-9112-B
.93 (23.62)	8.00 (203.2)	.37 (9.398)	377-1231-ND	10.60	8.85	H-9113-B
1.50 (38.1)	8.00 (203.2)	.50 (12.7)	377-1232-ND†	16.50	13.80	H-9114-B
1.68 (3.36)	3.50 (88.9)	.37 (9.398)	377-1233-ND†	12.40	10.35	H-9160-B
1.00 (25.4)	5.25 (133.35)	.37 (9.398)	377-1234-ND†	10.60	8.90	H-9161-B
1.00 (25.4)	1.90 (48.26)	.25 (6.35)	377-1235-ND§	6.00	5.00	H-9166-B
1.00 (25.4)	3.00 (76.2)	.25 (6.35)	377-1236-ND§	5.70	4.70	H-9168-B
<b>Fig. 43B — Clear Anodized Aluminum Handle</b>						
1.09 (27.69)	4.00 (101.6)	—	377-1237-ND‡	10.80	9.05	H-9174-B

\* Includes 2 - #10-32 x .37" screws. † Includes 2 - #6-32 x .50" screws. § Includes 2 - 1/4"-28 Hex nuts  
‡ Includes 2-8.32 x .37" screws

Dimension - Inch (mm)	Digi-Key Part No.	Price Each		Bud Ind. Part No.
		1	10	
<b>Fig. 44 — 19" Aluminum Surface Shield Panels - .12" Thick</b>				
1.75 (44.45)	377-1300-ND	9.50	7.95	SFA-1831
3.50 (88.9)	377-1301-ND	13.90	11.55	SFA-1832
5.25 (133.35)	377-1302-ND	17.80	14.90	SFA-1833
7.00 (177.8)	377-1303-ND	22.80	19.05	SFA-1834
8.75 (222.25)	377-1304-ND	25.00	20.85	SFA-1835
10.50 (266.7)	377-1305-ND	32.40	27.00	SFA-1836
<b>Fig. 44 — 19" Aluminum Panels - .12" Thick (Gray)</b>				
1.75 (44.45)	377-1247-ND	13.00	10.92	PA-1101-MG
3.50 (88.9)	377-1248-ND	18.20	15.17	PA-1102-MG
5.25 (133.35)	377-1249-ND	25.00	20.82	PA-1103-MG
7.00 (177.8)	377-1250-ND	31.10	26.03	PA-1104-MG
8.75 (222.25)	377-1251-ND	37.60	31.40	PA-1105-MG
10.50 (266.7)	377-1252-ND	47.70	39.86	PA-1106-MG
12.25 (311.15)	377-1253-ND	52.30	43.59	PA-1107-MG
14.00 (355.6)	377-1254-ND	67.00	55.89	PA-1108-MG

Slide Length	Dimensions - Inch (cm)		Digi-Key Part No.	Price Each		Bud Ind. Part No.
	Travel	Load Rating (per pair)		1	3	
<b>Fig. 45 — Sliding Mechanisms - 2 Piece Slide</b>						
12 (30.48)	8 (20.32)	140 lbs.	377-1199-ND	30.50	25.45	AS-5000-A
16 (40.64)	12 (30.48)	120 lbs.	377-1200-ND	40.10	33.50	AS-5001-A
20 (50.80)	15 (38.10)	92 lbs.	377-1201-ND	42.00	35.10	AS-5002-A
26 (66.04)	19 (48.26)	70 lbs.	377-1202-ND	46.40	38.75	AS-5004-A
20 (50.80)	20.875 (53.02)	91 lbs.	377-1203-ND*	91.00	76.00	AS-5042-A

\* 3 piece slide full extension

Description	Digi-Key Part No.	Price Each		Bud Ind. Part No.
<b>Fig. 46 — Slide Mounting Brackets (Sold in Pairs)</b>				
Universal Kit.....	377-1204-ND	30.20	25.05	BAS-5106

Description	Digi-Key Part No.	Price Each		Bud Ind. Part No.
<b>Fig. 47 — Tem-Stat Temperature Control</b>				
Normally Open; Closes on Temperature Rise...	377-1314-ND	34.80	—	TS-15
<b>Rack Mount Power Outlet Strip</b>				
15 Amps.....	377-1414-ND	77.00	57.75	POS-194-S
<b>Fig. 48 — Fan Tray Assemblies</b>				
Assembly with 3 Fans, Total CFM 315.....	377-1423-ND	215.10	155.95	FT-1973
Assembly with 6 Fans, Total CFM 630.....	377-1424-ND	330.90	239.92	FT-1976
Assembly with 9 Fans, Total CFM 945.....	377-1425-ND	434.00	314.66	FT-1979

More Product Available Online: [www.digkey.com](http://www.digkey.com)