

BUD'S WATERTIGHT BOXES: NEMA 4X PROTECTION AT NEMA 12 PRICES

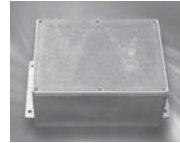
POLYCARBONATE

- Made from ABS and Polycarbonate plastics
- Designed to meet NEMA 1, 2, 4, 4x, 12, 13 and IP65 and UL508-4X ratings.
- Hundreds of sizes and styles available



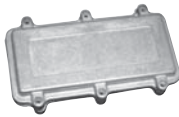
DIE CAST ALUMINUM

- Made from #ADC-12 Alloy Die Cast Aluminum
- Designed to meet NEMA 1, 2, 4, 4x, 12, 13 and IP65 ratings.
- Available with and without mounting flanges



EMI RFI SHIELDED

- Made from Die Cast Aluminum
- 7 sizes
- Designed to meet NEMA 1, 2, 4, 4x, 13 and IP67



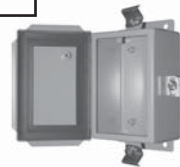
FIBERGLASS

- Made from Fiberglass reinforced plastic (SMC)
- Designed to meet NEMA 1, 2, 4, 4x, 12, 13, IP66 and UL508-4X ratings.
- Sizes range from 7.74" x 7.74" x 4.5" to 15.79" x 13.89" x 6.5"



STEEL

- Made from 14 ga. steel.
- Designed to meet NEMA 1, 2, 4, 4x, 12, 13 and IP65 and UL508-4X ratings.
- Available in 16 sizes ranging from 6" x 4" x 3" to 16" x 14" x 10"



Enclosures and Racks



Fig. 1 — Gasketed Enclosures

Meets NEMA 1, 2, 4, 4X, 12 and 13 Ratings.

- Indoor Version:
- ABS/PC blended plastic with UL94-5VB flammability rating
- Clear doors polycarbonate with UL94V-0 flammability rating
- Suggested service temperature -40°C ~ 70°C

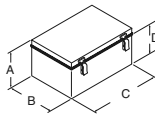


Fig. 2 — Plastic NEMA Enclosures

- Meets NEMA 1, 2, 4, 4X, 12 and 13 Ratings
- Style 1: • Light gray polycarbonate body and cover • UV stabilized • UL94V-2 flammability rating
- Style 2: • Light gray polycarbonate body and clear polycarbonate cover • UV stabilized • UL94V-2 flammability rating
- Style 3: • Dark gray ABS body and cover • UL94-HB flammability rating

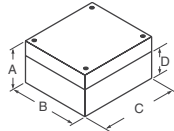
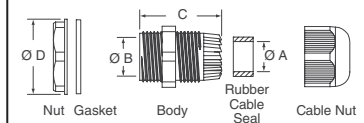


Fig. 3 — NEMA Enclosures 4x Gland NEW!



NEMA / Watertight Polycarbonate Enclosures

Dimensions - Inch (mm)				Digi-Key Part No.	Price Each		Bud Ind. Part No.
A	B	C	D		1	10	
Fig. 1 — NBA Series — Stainless Steel Hinges							
7.09 (180.09)	11.80 (299.72)	7.85 (199.39)	5.90 (149.86)	377-1138-ND†	67.30	56.07	NBA-10144
7.09 (180.09)	15.75 (400.05)	11.80 (299.72)	5.90 (149.86)	377-1139-ND†	99.20	82.67	NBA-10148
5.97 (151.64)	11.80 (299.72)	7.85 (199.39)	4.80 (121.92)	377-1140-ND‡	63.90	53.25	NBA-10162
Fig. 1 — NBB Series — Plastic Hinges							
3.57 (90.68)	5.90 (149.86)	5.90 (149.86)	2.75 (69.85)	377-1141-ND†	20.20	16.85	NBB-10240
5.50 (141.35)	11.28 (286.512)	7.47 (189.79)	4.33 (109.98)	377-1142-ND†	44.00	36.65	NBB-10243
7.04 (178.82)	13.00 (330.2)	13.00 (330.2)	5.86 (148.84)	377-1143-ND†	60.80	50.67	NBB-10245
6.30 (160.02)	15.68 (398.27)	11.73 (297.94)	5.11 (129.79)	377-1144-ND†	58.40	48.65	NBB-10247
3.57 (90.68)	5.90 (149.86)	5.90 (149.86)	2.75 (69.85)	377-1245-ND‡	23.20	19.32	NBB-10260
3.57 (90.68)	5.90 (149.86)	5.90 (149.86)	2.75 (69.85)	377-1246-ND†	23.40	19.52	NBB-15240
Fig. 1 — NBD Series — Non-Metallic Phillips Drive Fasteners							
5.03 (127.76)	7.48 (189.99)	11.02 (279.91)	3.85 (97.79)	377-1145-ND†	44.70	37.25	NBD-10442
Fig. 1 — NBE Series — Plastic Hinges / Aluminum Swing-out Panel							
5.50 (141.35)	7.47 (189.79)	11.28 (286.512)	4.33 (109.98)	377-1146-ND‡	82.70	69.06	NBE-10563
6.30 (160.02)	11.73 (297.94)	15.68 (398.27)	5.11 (129.79)	377-1147-ND‡	108.30	90.45	NBE-10567
7.85 (199.39)	14.64 (371.86)	19.17 (486.92)	6.67 (169.42)	377-1148-ND‡	163.90	136.87	NBE-10573

† Solid doors ‡ Clear doors

Dimensions - Inch (mm)				Digi-Key Part No.	Price Each		Bud Ind. Part No.
A	B	C	D		1	10	
Fig. 2 — Plastic NEMA Enclosures — Style 1							
1.38 (35.05)	2.56 (65.02)	2.28 (57.91)	0.99 (25.146)	377-1112-ND	7.40	6.15	PN-1320
1.57 (39.88)	4.53 (115.06)	2.56 (65.02)	0.99 (25.146)	377-1114-ND	10.80	9.02	PN-1321
2.17 (55.12)	4.53 (115.06)	2.56 (65.02)	1.58 (40.13)	377-1116-ND	11.70	9.75	PN-1322
2.17 (55.12)	4.53 (115.06)	3.54 (89.92)	1.58 (40.13)	377-1119-ND	13.40	11.15	PN-1323
2.17 (55.12)	6.73 (170.94)	4.76 (120.90)	1.58 (40.13)	377-1122-ND	18.80	15.65	PN-1324
2.17 (55.12)	8.74 (221.99)	5.75 (146.05)	1.58 (40.13)	377-1125-ND	24.90	20.75	PN-1325

Dimensions - Inch (mm)				Digi-Key Part No.	Price Each		Bud Ind. Part No.
A	B	C	D		1	10	
3.15 (80.01)	6.73 (170.94)	4.76 (120.90)	1.58 (40.13)	377-1127-ND	21.30	17.74	PN-1327
3.15 (80.01)	4.53 (115.06)	3.54 (89.92)	2.56 (65.02)	377-1129-ND	16.40	13.65	PN-1328
2.95 (74.93)	8.74 (221.99)	5.75 (146.05)	1.58 (40.13)	377-1131-ND	28.60	23.82	PN-1329
3.35 (85.09)	6.30 (160.02)	3.15 (80.01)	2.76 (70.10)	377-1134-ND	16.50	13.75	PN-1333
2.95 (74.93)	7.87 (199.90)	4.72 (119.89)	2.37 (60.199)	377-1136-ND	23.40	19.50	PN-1334
3.74 (94.99)	10.43 (264.93)	7.28 (184.91)	2.95 (74.93)	377-1258-ND	38.40	32.15	PN-1335
Fig. 2 — Plastic NEMA Enclosures — Style 2							
1.57 (39.88)	4.53 (115.06)	2.56 (65.02)	0.99 (25.15)	377-1255-ND	11.10	9.27	PN-1321-C
2.17 (55.12)	4.53 (115.06)	2.56 (65.02)	1.58 (40.13)	377-1117-ND	12.00	10.00	PN-1322-C
2.17 (55.12)	4.53 (115.06)	3.54 (89.92)	1.58 (40.13)	377-1118-ND	13.90	11.59	PN-1323-C
2.17 (55.12)	6.73 (170.94)	4.76 (120.90)	1.58 (40.13)	377-1123-ND	19.40	16.15	PN-1324-C
2.95 (74.93)	8.74 (221.99)	5.75 (146.05)	1.58 (40.13)	377-1256-ND	28.60	23.82	PN-1329-C
2.17 (55.12)	6.30 (160.02)	3.15 (80.01)	1.58 (40.13)	377-1133-ND	15.70	13.10	PN-1332-C
2.95 (74.93)	7.87 (199.90)	4.72 (119.89)	2.37 (60.20)	377-1257-ND	23.70	19.75	PN-1334-C
Fig. 2 — Plastic NEMA Enclosures — Style 3							
1.38 (35.05)	2.56 (65.02)	2.28 (57.91)	0.99 (25.146)	377-1113-ND	5.90	4.90	PN-1320-DG
1.57 (39.88)	4.53 (115.06)	2.56 (65.02)	0.99 (25.146)	377-1115-ND	7.60	6.34	PN-1321-DG
2.17 (55.12)	4.53 (115.06)	2.56 (65.02)	1.58 (40.13)	377-1118-ND	8.50	7.09	PN-1322-DG
2.17 (55.12)	4.53 (115.06)	3.54 (89.92)	1.58 (40.13)	377-1121-ND	10.30	8.57	PN-1323-DG
2.17 (55.12)	6.73 (170.94)	4.76 (120.90)	1.58 (40.13)	377-1124-ND	14.90	12.44	PN-1324-DG
2.17 (55.12)	8.74 (221.99)	5.75 (146.05)	1.58 (40.13)	377-1126-ND	20.20	16.84	PN-1325-DG
3.15 (80.01)	6.73 (170.94)	4.76 (120.90)	1.58 (40.13)	377-1128-ND	14.70	12.24	PN-1327-DG
3.15 (80.01)	4.53 (115.06)	3.54 (89.92)	2.56 (65.02)	377-1130-ND	11.10	9.24	PN-1328-DG
2.95 (74.93)	8.74 (221.99)	5.75 (146.05)	1.58 (40.13)	377-1132-ND	18.00	14.99	PN-1329-DG
3.35 (85.09)	6.30 (160.02)	3.15 (80.01)	2.76 (70.10)	377-1135-ND	13.00	10.85	PN-1333-DG
2.95 (74.93)	7.87 (199.90)	4.72 (119.89)	2.37 (60.199)	377-1137-ND	17.30	14.40	PN-1334-DG
3.74 (94.99)	10.43 (264.93)	7.28 (184.91)	2.95 (74.93)	377-1259-ND	29.10	24.35	PN-1335-DG
NEW! Fig. 3 — NEMA Enclosures 4x Gland NEW!							
0.197 (5.00)	0.315 (8.00)	1.102 (27.99)	0.827 (21.00)	377-1630-ND	1.70	1.42	NG-9511
0.283 (7.18)	0.374 (9.50)	1.169 (29.69)	0.921 (23.39)	377-1631-ND	1.70	1.42	NG-9512

(Continued)

More Product Available Online: www.digkey.com

Toll-Free: 1-800-344-4539 • Phone 218-681-6674 • Fax: 218-681-3380

(T091) 2253

Dimensions in Inch (mm)

Fig. 4 — Blue Transparent NEMA Boxes

Meets NEMA 1, 2, 4, 4X, 12, 13, IEC52/IP65 and UL508-4X Ratings

- Transparent blue polycarbonate
- UV stabilized polycarbonate with UL94-V2 flammability rating

Fig. 5 — Fiberglass NEMA Boxes

Meets NEMA 1, 2, 4, 4X, 12, 13 and IP66 Ratings

- Fiberglass Reinforced Plastic (SMC)
- Provides outstanding protection against corrosion
- Chemical resistant and impervious to dents
- Stainless Steel hinge, screws, wall mounting brackets
- Listed and tested to UL-508-4X requirements

Fig. 6 — Die Cast Aluminum NEMA Boxes with or without Mounting Flanges

Meets NEMA 1, 2, 4, 4X, 12 and 13 Ratings

- ADC-10 aluminum alloy
- Tested and listed to UL-508 Type 4X requirements (UL File #E194432)
- Heavy duty .09" thick external wall mounting bracket
- Mounts to wall or panel with #10 size screws (not included)

Fig. 7 — NEMA 4X Die Cast Aluminum EMI/RFI Boxes NEW!

Fig. 8 — NEMA Sheet Metal Boxes with Mounting Flanges

Meets NEMA 1, 2, 4, 4X, 12, 13, IP65 and UL508-4X Ratings

- Durable 14 gauge steel
- Hinged cover

Fig. 9 — Sheet Metal NEMA Boxes

Meets NEMA 1, 2, 4, 4X, 12, 13, IP65 and UL508-4X Ratings

- Continuous seam welded 16AWG steel construction
- Cover closes securely with unique key provided

Dimensions - Inch (mm)			Digi-Key Part No.	Price Each		Bud Ind. Part No.
A	B	C		1	10	
Fig. 4 — Blue Transparent NEMA Boxes						
3.54 (89.92)	4.53 (115.06)	2.17 (55.12)	377-1542-ND	14.60	12.20	BT-2723
4.76 (120.90)	6.73 (170.94)	2.17 (55.12)	377-1543-ND	21.30	17.80	BT-2724
5.75 (146.05)	8.74 (222.00)	2.17 (55.12)	377-1544-ND	28.10	23.45	BT-2725
4.76 (120.90)	6.73 (170.94)	3.15 (80.01)	377-1545-ND	24.90	20.80	BT-2727
4.72 (119.89)	7.87 (199.90)	2.95 (74.93)	377-1546-ND	24.30	20.30	BT-2734
6.30 (160.02)	9.45 (240.03)	3.54 (89.92)	377-1547-ND	34.10	28.45	BT-2740
9.06 (230.12)	11.81 (299.97)	3.39 (86.11)	377-1548-ND	79.00	65.95	BT-2742
Fig. 5 — Fiberglass NEMA Boxes						
7.74 (196.60)	4.50 (114.30)	7.74 (196.60)	377-1565-ND	43.80	36.52	NF-6610
7.76 (197.10)	4.50 (114.30)	9.64 (244.86)	377-1566-ND	45.10	37.57	NF-6611
9.90 (251.46)	6.50 (165.10)	11.78 (299.21)	377-1567-ND	59.00	49.15	NF-6612
11.90 (302.26)	6.50 (165.10)	13.78 (350.01)	377-1568-ND	70.30	58.57	NF-6613
13.89 (352.81)	6.50 (165.10)	15.79 (401.07)	377-1569-ND	82.30	68.59	NF-6614

Finish	Dimensions - Inch (mm)			Digi-Key Part No.	Price Each		Bud Ind. Part No.
	L	W	H		1	10	
Natural	6.78 (172.21)	4.77 (121.16)	2.22 (56.39)	377-1520-ND	20.10	16.75	CN-5709
	6.78 (172.21)	4.77 (121.16)	4.21 (106.93)	377-1521-ND	24.70	20.60	CN-5710
	8.75 (222.25)	5.74 (145.80)	2.25 (57.15)	377-1522-ND	26.40	22.05	CN-5711
	8.75 (222.25)	5.74 (145.80)	4.22 (107.19)	377-1523-ND	35.70	29.80	CN-5712
	9.85 (250.19)	9.85 (250.19)	4.01 (101.85)	377-1524-ND	62.60	52.25	CN-5713
	10.81 (274.57)	6.89 (175.01)	2.64 (67.06)	377-1525-ND	38.90	32.45	CN-5714
Fig. 6 — NEMA Die-Cast Aluminum Boxes with Mounting Flanges							
Natural	3.52 (89.41)	1.38 (35.05)	1.22 (30.99)	377-1526-ND	7.00	5.85	CN-6702
	4.51 (114.55)	2.50 (63.50)	1.22 (30.99)	377-1527-ND	11.10	9.25	CN-6703
	4.51 (114.55)	2.50 (63.50)	2.22 (56.39)	377-1528-ND	13.10	10.95	CN-6704
	4.54 (115.32)	3.57 (90.68)	2.22 (56.39)	377-1529-ND	14.90	12.45	CN-6705
	4.73 (120.14)	3.95 (100.33)	1.44 (36.58)	377-1530-ND	14.90	12.45	CN-6706
	5.47 (138.94)	4.01 (101.85)	3.05 (77.47)	377-1531-ND	19.80	16.50	CN-6707
	6.51 (165.35)	5.01 (127.25)	3.05 (77.47)	377-1532-ND	24.80	20.70	CN-6708
	6.78 (172.21)	4.77 (121.16)	2.22 (56.39)	377-1533-ND	23.10	19.30	CN-6709
	6.78 (172.21)	4.77 (121.16)	4.21 (106.93)	377-1534-ND	27.80	23.20	CN-6710
	8.75 (222.25)	5.74 (145.80)	2.25 (57.15)	377-1535-ND	31.20	26.05	CN-6711

Aluminum NEMA Boxes

Finish	Dimensions - Inch (mm)			Digi-Key Part No.	Price Each		Bud Ind. Part No.
	L	W	H		1	10	
Fig. 6 — NEMA Sealed Die-Cast Boxes							
Natural	3.54 (89.92)	1.42 (36.07)	1.18 (29.97)	377-1099-ND§	6.30	5.27	AN-1300
	2.52 (64.01)	2.28 (57.91)	1.38 (35.05)	377-1100-ND	9.40	7.84	AN-1302
	4.53 (115.06)	2.56 (65.02)	1.18 (29.97)	377-1101-ND	9.40	7.84	AN-1302
	4.53 (115.06)	2.56 (65.02)	2.17 (55.12)	377-1102-ND	11.40	9.52	AN-1303
	4.53 (115.06)	3.54 (89.92)	2.17 (55.12)	377-1103-ND	13.40	11.19	AN-1304
	5.83 (148.08)	4.25 (107.95)	2.95 (74.93)	377-1104-ND§	24.00	20.00	AN-1305
7.76 (197.10)	4.50 (114.30)	2.17 (55.12)	377-1105-ND§	24.40	20.36	AN-1306	
8.75 (222.25)	5.75 (146.05)	2.17 (55.12)	377-1106-ND	25.80	21.52	AN-1307	
Gray	4.53 (115.06)	2.56 (65.02)	1.18 (29.97)	377-1190-ND	15.20	12.67	AN-1302-G
	4.53 (115.06)	2.56 (65.02)	2.17 (55.12)	377-1191-ND	17.80	14.84	AN-1303-G
	4.53 (115.06)	3.54 (89.92)	2.17 (55.12)	377-1192-ND	21.40	17.84	AN-1304-G
	5.83 (148.08)	4.25 (107.95)	2.95 (74.93)	377-1193-ND	34.40	28.67	AN-1305-G
	6.73 (170.94)	4.76 (120.90)	2.17 (55.12)	377-1194-ND	34.80	29.02	AN-1306-G
	8.75 (222.25)	5.75 (146.05)	2.17 (55.12)	377-1195-ND	37.40	31.19	AN-1307-G

Finish	Dimensions - Inch (mm)			Digi-Key Part No.	Price Each		Bud Ind. Part No.
	L	W	H		1	10	
Fig. 6 — NEMA Die-Cast Aluminum Boxes with Mounting Flanges							
Natural	3.54 (89.92)	1.42 (36.07)	1.18 (29.97)	377-1426-ND	15.40	12.86	AN-2800
Black	3.54 (89.92)	1.42 (36.07)	1.18 (29.97)	377-1427-ND	16.20	13.48	AN-2800-B
Natural	2.52 (64.01)	2.28 (57.91)	1.38 (35.05)	377-1428-ND	15.80	13.15	AN-2801
Black	2.52 (64.01)	2.28 (57.91)	1.38 (35.05)	377-1429-ND	16.80	14.00	AN-2801-B
Natural	4.53 (115.06)	2.56 (65.02)	1.18 (29.97)	377-1430-ND	19.80	16.50	AN-2802
Black	4.53 (115.06)	2.56 (65.02)	1.18 (29.97)	377-1431-ND	21.70	18.07	AN-2802-B
Natural	4.53 (115.06)	2.56 (65.02)	2.17 (55.12)	377-1432-ND	22.70	18.94	AN-2803
Black	4.53 (115.06)	2.56 (65.02)	2.17 (55.12)	377-1433-ND	24.40	20.34	AN-2803-B
Natural	4.53 (115.06)	3.54 (89.92)	2.17 (55.12)	377-1434-ND	24.60	20.48	AN-2804
Black	4.53 (115.06)	3.54 (89.92)	2.17 (55.12)	377-1435-ND	27.40	22.82	AN-2804-B
Natural	5.83 (148.08)	4.25 (107.95)	2.95 (74.93)	377-1436-ND	38.80	32.34	AN-2805
Black	5.83 (148.08)	4.25 (107.95)	2.95 (74.93)	377-1437-ND	43.10	35.92	AN-2805-B
Natural	6.73 (170.94)	4.76 (120.90)	2.17 (55.12)	377-1438-ND	40.00	33.34	AN-2806
Black	6.73 (170.94)	4.76 (120.90)	2.17 (55.12)	377-1439-ND	43.90	36.61	AN-2806-B
Natural	8.75 (222.25)	5.75 (146.05)	2.17 (55.12)	377-1440-ND	43.20	36.03	AN-2807
Black	8.75 (222.25)	5.75 (146.05)	2.17 (55.12)	377-1441-ND	50.90	42.40	AN-2807-B
Natural	8.75 (222.25)	5.75 (146.05)	3.25 (82.55)	377-1442-ND	49.30	41.11	AN-2808
Black	8.75 (222.25)	5.75 (146.05)	3.25 (82.55)	377-1443-ND	57.20	47.67	AN-2808-B
Natural	4.75 (120.65)	4.75 (120.65)	4.00 (101.6)	377-1444-ND	43.10	35.92	AN-2809
Black	4.75 (120.65)	4.75 (120.65)	4.00 (101.6)	377-1445-ND	46.80	38.98	AN-2809-B
Natural	6.25 (158.75)	6.25 (158.75)	4.00 (101.6)	377-1446-ND	48.40	40.34	AN-2810
Black	6.25 (158.75)	6.25 (158.75)	4.00 (101.6)	377-1447-ND	53.60	44.65	AN-2810-B
Natural	1.97 (50.04)	1.77 (44.96)	1.12 (28.45)	377-1448-ND	15.00	12.53	AN-2811
Black	1.97 (50.04)	1.77 (44.96)	1.12 (28.45)	377-1449-ND	15.70	13.11	AN-2811-B
Natural	3.85 (97.79)	2.52 (64.01)	1.35 (34.29)	377-1450-ND	19.30	16.11	AN-2812
Black	3.85 (97.79)	2.52 (64.01)	1.35 (34.29)	377-1451-ND	20.70	17.28	AN-2812-B
Natural	4.90 (124.46)	3.14 (79.76)	1.59 (40.39)	377-1452-ND	23.30	19.44	AN-2813
Black	4.90 (124.46)	3.14 (79.76)	1.59 (40.39)	377-1453-ND	26.30	21.92	AN-2813-B
Natural	4.90 (124.46)	3.14 (79.76)	2.26 (57.40)	377-1454-ND	25.70	21.40	AN-2814
Black	4.90 (124.46)	3.14 (79.76)	2.26 (57.40)	377-1455-ND	29.00	24.19	AN-2814-B
Natural	5.91 (150.11)	2.52 (64.01)	1.45 (36.83)	377-1456-ND	25.00	20.86	AN-2815
Black	5.91 (150.11)	2.52 (64.01)	1.45 (36.83)	377-1457-ND	27.00	22.48	AN-2815-B
Natural	6.29 (159.77)	3.93 (99.82)	2.37 (60.20)	377-1458-ND	38.30	31.94	AN-2816
Black	6.29 (159.77)	3.93 (99.82)	2.37 (60.20)	377-1459-ND	42.50	35.44	AN-2816-B
Natural	6.29 (159.77)	3.93 (99.82)	3.19 (81.03)	377-1460-ND	41.10	34.25	AN-2817
Black	6.29 (159.77)	3.93 (99.82)	3.19 (81.03)	377-1461-ND	45.40	37.84	AN-2817-B

Finish	Dimensions - Inch (mm)			Digi-Key Part No.	Price Each		Bud Ind. Part No.
	A	B	C		1	10	
Fig. 6 — NEMA Die-Cast Aluminum Boxes							
Natural	2.36 (59.94)	2.16 (54.86)	1.22 (30.99)	377-1511-ND	5.70	4.75	CN-5700
	3.15 (80.01)	2.16 (54.86)	1.00 (25.40)	377-1512-ND	6.20	5.15	CN-5701
	3.52 (89.41)	1.38 (35.05)	1.22 (30.99)	377-1513-ND	5.50	4.60	CN-5702
	4.51 (114.55)	2.50 (63.50)	1.22 (30.99)	377-1514-ND	8.80	7.35	CN-5703
	4.51 (114.55)	2.50 (63.50)	2.22 (56.39)	377-1515-ND	10.50	8.75	CN-5704
	4.54 (115.32)	3.57 (90.68)	2.22 (56.39)	377-1516-ND	12.20	10.20	CN-5705
	4.73 (120.14)	3.95 (100.33)	1.44 (36.58)	377-1517-ND	12.00	10.00	CN-5706
	5.47 (138.94)	4.01 (101.85)	3.05 (77.47)	377-1518-ND	16.80	14.00	CN-5707
	6.51 (165.35)	5.01 (127.25)	3.05 (77.47)	377-1519-ND	21.80	18.20	CN-5708

NEW! Die Cast Aluminum NEMA EMI / RFI Boxes and Mounting Brackets

Finish	Dimensions - Inch (mm)			Digi-Key Part No.	Price Each		Bud Ind. Part No.
	A	B	C		1	10	
Fig. 7 — NEMA 4x Aluminum Boxes							
Natural	1.77 (44.96)	3.79 (96.27)	3.79 (96.27)	377-1586-ND	17.40	14.50	ANS-3801
Black	1.77 (44.96)	3.79 (96.27)	3.79 (96.27)	377-1587-ND	22.10	18.42	ANS-3801-B
Natural	2.64 (67.06)	3.79 (96.27)	3.79 (96.27)	377-1588-ND	18.60	15.50	ANS-3803
Black	2.64 (67.06)	3.79 (



Dimensions in Inch (mm)

Fig. 10 — Sheet Metal NEMA Boxes NEW!

Fig. 11 — Plasticases
PC-11402 – PC-11416: • Impact resistant polystyrene • UL94-HB flammability rating • Molded-in card guides and mounting bosses • Double-textured PC bone gray
PC-11438: • Black ABS covers • UL94-HB flammability rating • Clear anodized aluminum front and rear panels • Internal steel channels provide extra strength and ease of assembly • Formed guide tabs accept vertical or horizontal circuit boards
PC-11482-A: • Dark gray ABS covers with natural finish aluminum end panels
UL94V-0 flammability rating • Suggested service temperature -40°C - 80°C **PC-11640 – PC-11645:** • Flame retardant black ABS plastic • UL94V-0 flammability rating

Style 1 **Style 2** **Style H**

Fig. 12 — ABS Plastic Utiliboxes
 • Aluminum or plastic cover

Fig. 13 — Plastiboxes — Style G
 • ABS plastic • UL94-HB flammability rating • Suggested service temperature -40°C - 60°C

Fig. 14 — Plastibox — Style J NEW!

Fig. 15 — Din Rail Mount Plastibox NEW!

Fig. 16 — Grabber — Style O NEW!
 ‡ with Battery Compartment (BC)

Fig. 17 — Hand-Held Grabber Enclosures — Style B
 • ABS plastic in a light gray finish • UL94V-0 flammability rating

Fig. 18 — Accessories
 Battery Clip Battery Holder

Fig. 19 — Potting Boxes
 • ABS thermoplastic • UL94V-0 flammability rating • Suggested service temperature -20°C - 70°C • Optional close-fitting covers available in all sizes • Top Feet (TF) and Bottom Feet (BF) available

Fig. 20 — Mini Boxes
 • 04" aluminum alloy • Two sections slip together and may be joined by either built-in snap lock or sheet metal screws (included)

NEW! Sheet Metal NEMA Boxes

Dimensions - Inch (mm)			Digi-Key Part No.	Price Each	Bud Ind. Part No.
A	B	C			
Fig. 10 — Sheet Metal NEMA Boxes with Lift-Off Screw Cover					
9.84 (249.94)	7.87 (199.90)	5.91 (150.11)	377-1616-ND	59.40	49.50
11.81 (299.97)	9.84 (249.94)	5.91 (150.11)	377-1617-ND	64.20	53.50
11.81 (299.97)	9.84 (249.94)	7.87 (199.90)	377-1618-ND	67.10	55.92
11.81 (299.97)	11.81 (299.97)	5.91 (150.11)	377-1619-ND	69.50	57.92
11.81 (299.97)	11.81 (299.97)	7.87 (199.90)	377-1620-ND	73.90	61.59
15.75 (400.05)	11.81 (299.97)	5.91 (150.11)	377-1621-ND	77.30	64.42
15.75 (400.05)	11.81 (299.97)	7.87 (199.90)	377-1622-ND	81.00	67.50
15.75 (400.05)	15.75 (400.05)	7.87 (199.90)	377-1623-ND	100.50	83.75

Plastic Enclosures

Style	Color	Dimensions - Inch (mm)			Digi-Key Part No.	Price Each	Bud Ind. Part No.
		A	B	C			
Fig. 11 — Plasticases							
1	Gray	1.53 (38.86)	5.08 (129.03)	5.30 (134.62)	377-1149-ND	14.60	12.19
		2.52 (64.01)	8.10 (205.74)	6.32 (160.53)	377-1150-ND	22.40	18.67
		2.56 (65.02)	10.24 (260.10)	7.09 (180.09)	377-1156-ND	32.80	27.35
2	Gray	3.30 (83.82)	6.12 (155.49)	6.32 (160.53)	377-1151-ND	23.10	19.25
		3.30 (83.82)	8.10 (205.74)	6.32 (160.53)	377-1152-ND	26.70	22.31
		4.04 (102.62)	6.12 (155.49)	6.32 (160.53)	377-1153-ND	24.30	20.29
H	Black	4.04 (102.62)	8.10 (205.74)	6.32 (160.53)	377-1154-ND	28.40	23.73
		9.18 (233.17)	5.25 (133.35)	1.68 (42.67)	377-1570-ND	13.30	11.10
		9.18 (233.17)	5.25 (133.35)	2.36 (59.94)	377-1571-ND	13.70	11.45
Fig. 12 — ABS Plastic Utiliboxes							
—	Black	5.30 (134.62)	2.94 (74.68)	1.95 (49.53)	377-1165-ND	3.00	2.50
	Gray	5.30 (134.62)	2.94 (74.68)	1.95 (49.53)	377-1166-ND	3.00	2.50
—	Black	4.10 (104.14)	2.23 (57.40)	2.00 (50.80)	377-1167-ND	4.30	3.57
		5.59 (141.99)	4.34 (110.27)	1.84 (46.77)	377-1168-ND	7.20	6.00
		4.31 (109.47)	3.06 (77.72)	1.46 (37.08)	377-1169-ND	5.80	4.85
		4.60 (116.84)	3.10 (78.74)	1.87 (47.50)	377-1216-ND	7.20	6.00
		4.60 (116.84)	4.60 (116.84)	2.37 (60.20)	377-1217-ND	8.00	6.69
		6.10 (154.94)	4.60 (116.84)	2.37 (60.20)	377-1218-ND	9.20	7.70
		7.60 (193.04)	4.60 (116.84)	2.37 (60.20)	377-1219-ND	11.10	9.27
		5.07 (128.78)	3.57 (90.68)	1.59 (40.39)	377-1220-ND	6.70	5.60
		6.10 (154.94)	4.60 (116.84)	1.37 (34.80)	377-1536-ND	10.00	8.35
		6.10 (154.94)	4.60 (116.84)	1.37 (34.80)	377-1537-ND	10.00	8.35
		6.10 (154.94)	4.60 (116.84)	1.37 (34.80)	377-1538-ND	10.70	8.35
		6.10 (154.94)	4.60 (116.84)	1.37 (34.80)	377-1539-ND	10.70	8.90
		6.10 (154.94)	4.60 (116.84)	1.37 (34.80)	377-1540-ND	10.70	8.94
6.10 (154.94)	4.60 (116.84)	1.37 (34.80)	377-1541-ND	10.00	8.32		
Fig. 13 — Plastiboxes — Style G							
G	Gray	1.50 (38.10)	2.25 (57.15)	3.62 (91.95)	377-1161-ND	6.70	5.59
		1.50 (38.10)	3.25 (82.55)	5.62 (142.75)	377-1157-ND	12.20	10.19
		2.48 (62.99)	3.25 (82.55)	5.62 (142.75)	377-1162-ND	11.30	9.46
		1.52 (38.61)	3.25 (82.55)	4.37 (111)	377-1158-ND	5.20	4.34
		1.52 (38.61)	3.25 (82.55)	5.62 (142.75)	377-1159-ND	5.50	4.60
		1.52 (38.61)	4.87 (123.70)	6.87 (174.50)	377-1160-ND	6.80	5.65
		2.52 (64.01)	4.87 (123.70)	6.87 (174.50)	377-1163-ND	7.20	6.00
		NEW! Fig. 14 — Plastiboxes — Style J NEW!					
J	Black	3.00 (76.2)	5.00 (127)	8.25 (209.55)	377-1614-ND	21.30	17.75
		4.33 (109.98)	5.00 (127)	8.25 (209.55)	377-1615-ND	22.40	18.67
NEW! Fig. 15 — Din Rail Mount Plastibox NEW!							
—	Black	1.25 (31.75)	3.50 (88.9)	4.50 (114.3)	377-1609-ND	8.90	7.42

Style	Color	Dimensions - Inch (mm)			Digi-Key Part No.	Price Each	Bud Ind. Part No.
		A	B	C			
NEW! Fig. 16 — Grabber Enclosures NEW!							
O	Black	.90 (22.86)	3.69 (93.72)	6.28 (159.51)	377-1610-ND	9.80	8.17
		.90 (22.86)	3.69 (93.72)	6.28 (159.51)	377-1611-ND	10.50	8.75
		.90 (22.86)	3.69 (93.72)	6.28 (159.51)	377-1612-ND	10.50	8.75
B	Gray	.90 (22.86)	3.69 (93.72)	6.28 (159.51)	377-1613-ND	9.80	8.17
		1.71 (43.43)	5.16 (131.06)	9.33 (236.98)	377-1170-ND	19.00	15.85
Accessories for Hand-Held Grabber Enclosures							
Tilt Stand for HH-3420					377-1171-ND	.90	.75
Gasket for HH-3420					377-1172-ND	1.00	.85
Fig. 18 — Accessories							
Battery Clip, 1 - 9V Cell					377-1549-ND	1.20	1.00
Battery Holder, 2-AAA Cells					377-1557-ND	1.70	1.42
Battery Holder, 4-AAA Cells					377-1558-ND	2.90	2.42
Battery Holder, 2-AA Cells					377-1559-ND	1.70	1.42
Battery Holder, 4-AA Cells					377-1560-ND	2.90	2.42
Fig. 19 — Potting Boxes							
—	Black	1.00 (25.4)	2.00 (50.8)	1.50 (38.1)	377-1173-ND	1.22	1.02
		1.50 (38.1)	3.00 (76.2)	2.00 (50.8)	377-1176-ND	1.77	1.48
		.75 (19.05)	1.00 (25.4)	1.00 (25.4)	377-1180-ND	.71	.59
—	Black	1.00 (25.4)	2.00 (50.8)	1.50 (38.1)	377-1175-ND	1.33	1.11
		1.50 (38.1)	3.00 (76.2)	2.00 (50.8)	377-1178-ND	1.91	1.60
		1.50 (38.1)	3.00 (76.2)	3.00 (76.2)	377-1179-ND	1.92	1.61
—	Black	1.00 (25.4)	2.00 (50.8)	1.50 (38.1)	377-1174-ND	1.33	1.11
		1.50 (38.1)	3.00 (76.2)	2.00 (50.8)	377-1177-ND	1.91	1.60
Optional Close-Fitting Covers							
Cover for PB-1558-BF					377-1181-ND	.70	.59
Cover for PB-1558/1558-TF					377-1182-ND	.70	.59
Cover for PB-1559-BF					377-1183-ND	.82	.69
Cover for PB-1559/1559-TF					377-1184-ND	.80	.67
Cover for PB-1576-TF					377-1185-ND	1.04	.87
Cover for PB-1577					377-1186-ND	.42	.36

Metal Boxes

Color	Dimensions - Inch (mm)			Digi-Key Part No.	Price Each	Bud Ind. Part No.
	A	B	C			
Fig. 20 — Mini Boxes						
Gray	1.62 (41.15)	2.12 (53.85)	2.75 (69.85)	377-1076-ND	7.00	5.80
	1.62 (41.15)	2.12 (53.85)	3.25 (82.55)	377-1077-ND	7.70	6.40
	1.62 (41.15)	2.12 (53.85)	4.00 (101.6)	377-1078-ND	8.00	6.65
	2.25 (57.15)	2.25 (57.15)	4.00 (101.6)	377-1079-ND	8.30	6.94
	3.00 (76.2)	4.00 (101.6)	5.00 (127)	377-1080-ND	12.20	10.19
	2.12 (53.85)	3.00 (76.2)	5.25 (133.35)	377-1081-ND	10.80	8.91
	4.00 (101.6)	5.00 (127)	6.00 (152.4)	377-1082-ND	18.70	15.69
	3.00 (76.2)	5.00 (127)	7.00 (177.8)	377-1083-ND	18.00	15.06
	3.50 (88.9)	6.00 (152.4)	8.00 (203.2)	377-1084-ND	28.20	23.58
	3.50 (88.9)	6.00 (152.4)	10.00 (254)	377-1085-ND	29.90	24.96
4.00 (101.6)	7.00 (177.8)	12.00 (304.8)	377-1086-ND	39.60	33.11	
Natural	1.62 (41.15)	2.12 (53.85)	2.75 (69.85)	377-1087-ND	5.10	4.27
	1.62 (41.15)	2.12 (53.85)	3.25 (82.55)	377-1088-ND	5.70	4.77
	1.62 (41.15)	2.12 (53.85)	4.00 (101.6)	377-1089-ND	6.30	5.25
	2.25 (57.15)	2.25 (57.15)	4.00 (101.6)	377-1090-ND	6.70	5.55
	2.25 (57.15)	2.25 (57.15)	5.00 (127)	377-1091-ND	8.00	6.69
	3.00 (76.2)	4.00 (101.6)	5.00 (127)	377-1092-ND	10.10	8.40
	2.12 (53.85)	3.00 (76.2)	5.25 (133.35)	377-1093-ND	8.10	6.68
	4.00 (101.6)	5.00 (127)	6.00 (152.4)	377-1094-ND	14.50	12.14
	3.00 (76.2)	5.00 (127)	7.00 (177.8)	377-1095-ND	13.10	10.96
	3.50 (88.9)	6.00 (152.4)	8.00 (203.2)	377-1096-ND	17.10	14.29
3.50 (88.9)	6.00 (152.4)	10.00 (254)	377-1097-ND	21.60	18.02	
4.00 (101.6)	7.00 (177.8)	12.00 (304.8)	377-1098-ND	30.00	25.06	

(Continued)

More Product Available Online: www.digkey.com

Toll-Free: 1-800-344-4539 • Phone 218-681-6674 • Fax: 218-681-3380

(T091) 2255

Dimensions in Inch (mm)

Fig. 21 — Aluminum Chassis

- Welded at stress points for assured, maximum strength and rigidity
 - Sides folded in at bottom for additional support
 - Bottom plate easily attached
 - Natural finish
- NOTE: Bottom plate sold separately.**

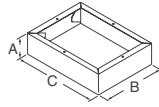


Fig. 22 — Die Cast Econobox with or without Mounting Flanges

- ADC-10 aluminum alloy
- Heavy duty .09" thick external wall mounting bracket
- Mounts to wall or panel with #10 size screws (not included)

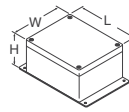


Fig. 23 — Extruded Aluminum Boxes

- One piece extruded aluminum housing
- Individual aluminum end panels
- ABS plastic panel bezels
- Internal PCB card guides

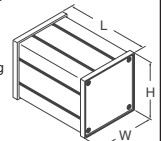


Fig. 24 — Sloping Panel Cabinets

- Steel
- Removable front panel
- Hinged top opens completely for access to components mounted on chassis

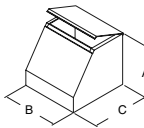


Fig. 25 — Slope Enclosures

- Solid Top
- .09" Base
- .05" Cover
- Rubber Feet

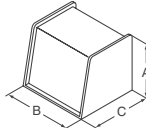


Fig. 26 — Converta Boxes

- Welded base and two-sided cover
- .05" aluminum
- Natural finish

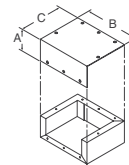
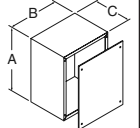


Fig. 27 — Utility Cabinets

- Sturdy, all-welded body
- Available in .040" aluminum or 20 gauge steel: "AU" prefix — aluminum alloy in natural finish; "CU" prefix — steel in metallic gray finish



Aluminum Chassis

Color	Dimensions - Inch (mm)			Digi-Key Part No.	Price Each		Bud Ind. Part No.
	A	B	C		1	10	
Fig. 21 — Aluminum Chassis							
Natural	1.50 (38.1)	4.00 (100.4)	6.00 (152.4)	377-1000-ND	9.80	8.22	AC-1405
	2.00 (50.8)	6.00 (152.4)	8.00 (203.2)	377-1001-ND	12.50	10.40	AC-1413
	2.50 (63.5)	8.00 (203.2)	10.00 (254)	377-1002-ND	20.20	16.89	AC-1418
	2.50 (63.5)	8.00 (203.2)	12.00 (304.8)	377-1003-ND	25.00	20.86	AC-1419
	5.00 (127)	10.00 (254)	17.00 (431.8)	377-1004-ND	57.40	47.91	AC-1422
	5.00 (127)	13.00 (330.2)	17.00 (431.8)	377-1005-ND	66.20	55.28	AC-1426
	3.00 (76.2)	14.00 (355.6)	17.00 (431.8)	377-1006-ND	48.20	40.22	AC-1427
	4.00 (101.6)	15.00 (381)	17.00 (431.8)	377-1007-ND	65.40	54.59	AC-1428
	6.00 (152.4)	15.00 (381)	17.00 (431.8)	377-1008-ND	92.60	77.33	AC-1429
	3.00 (76.2)	17.00 (431.8)	17.00 (431.8)	377-1009-ND	56.10	46.86	AC-1430
	4.00 (101.6)	17.00 (431.8)	17.00 (431.8)	377-1010-ND	72.30	60.41	AC-1431
	2.00 (50.8)	5.00 (127)	7.00 (177.8)	377-1011-ND	10.90	9.07	AC-402
	2.00 (50.8)	5.00 (127)	9.50 (241.3)	377-1012-ND	13.20	10.95	AC-403
	3.00 (76.2)	5.00 (127)	10.00 (254)	377-1013-ND	16.80	14.02	AC-404
	2.00 (50.8)	7.00 (177.8)	7.00 (177.8)	377-1014-ND	11.40	9.42	AC-405
	2.00 (50.8)	7.00 (177.8)	9.00 (228.6)	377-1015-ND	13.80	11.49	AC-406
	2.00 (50.8)	7.00 (177.8)	11.00 (279.4)	377-1016-ND	16.00	13.32	AC-407
	3.00 (76.2)	7.00 (177.8)	12.00 (304.8)	377-1017-ND	21.20	17.89	AC-408
	2.00 (50.8)	7.00 (177.8)	13.00 (330.2)	377-1018-ND	17.40	14.57	AC-409
	3.00 (76.2)	7.00 (177.8)	15.00 (381)	377-1019-ND	27.60	23.04	AC-411
	3.00 (76.2)	8.00 (203.2)	17.00 (431.8)	377-1020-ND	28.70	24.03	AC-412
	3.00 (76.2)	10.00 (254)	12.00 (304.8)	377-1021-ND	32.20	26.96	AC-413
	3.00 (76.2)	10.00 (254)	14.00 (355.6)	377-1022-ND	32.80	27.50	AC-414
	2.00 (50.8)	10.00 (254)	17.00 (431.8)	377-1023-ND	29.20	24.43	AC-415
	3.00 (76.2)	10.00 (254)	17.00 (431.8)	377-1024-ND	34.20	28.54	AC-416
	3.00 (76.2)	12.00 (304.8)	17.00 (431.8)	377-1025-ND	36.10	30.07	AC-418
	2.00 (50.8)	13.00 (330.2)	17.00 (431.8)	377-1026-ND	37.00	30.86	AC-419
	3.00 (76.2)	13.00 (330.2)	17.00 (431.8)	377-1027-ND	42.60	35.57	AC-420
	3.00 (76.2)	5.00 (127)	9.50 (241.3)	377-1028-ND	16.70	13.92	AC-421
	3.00 (76.2)	8.00 (203.2)	12.00 (304.8)	377-1029-ND	25.40	21.21	AC-422
	4.00 (101.6)	13.00 (330.2)	17.00 (431.8)	377-1030-ND	49.20	41.13	AC-423
	4.00 (101.6)	13.00 (330.2)	17.00 (431.8)	377-1031-ND	51.90	43.29	AC-428
	3.00 (76.2)	5.00 (127)	7.00 (177.8)	377-1032-ND	14.00	11.69	AC-429
	3.00 (76.2)	4.00 (101.6)	6.00 (152.4)	377-1033-ND	12.40	10.30	AC-430
	2.00 (50.8)	4.00 (101.6)	6.00 (152.4)	377-1034-ND	10.10	8.47	AC-431

Chassis Bottom Plates

Color	Dimensions - Inch (mm)		Digi-Key Part No.	Price Each		Bud Ind. Part No.
	Fits Width	Chassis Length		1	10	
Natural	4.00 (101.6)	6.00 (152.4)	377-1035-ND	5.00	4.17	BPA-1505
	6.00 (152.4)	8.00 (203.2)	377-1036-ND	7.10	5.85	BPA-1513
	8.00 (203.2)	10.00 (254)	377-1037-ND	8.80	7.34	BPA-1518
	8.00 (203.2)	12.00 (304.8)	377-1038-ND	10.70	8.97	BPA-1519
	8.00 (203.2)	17.00 (431.8)	377-1039-ND	11.00	9.22	BPA-1520
	10.00 (254)	12.00 (304.8)	377-1040-ND	10.70	8.97	BPA-1523
	10.00 (254)	14.00 (355.6)	377-1041-ND	10.70	8.97	BPA-1524
	12.00 (304.8)	17.00 (431.8)	377-1042-ND	15.30	12.79	BPA-1528
	14.00 (355.6)	17.00 (431.8)	377-1043-ND	16.20	13.52	BPA-1529
	15.00 (381)	17.00 (431.8)	377-1044-ND	20.30	16.94	BPA-1530
	17.00 (431.8)	17.00 (431.8)	377-1045-ND	24.70	20.61	BPA-1531
	5.00 (127)	7.00 (177.8)	377-1046-ND	4.90	4.07	BPA-1589
	5.00 (127)	9.50 (241.3)	377-1047-ND	5.00	4.17	BPA-1590
	5.00 (127)	10.00 (254)	377-1048-ND	4.90	4.07	BPA-1591
	7.00 (177.8)	7.00 (177.8)	377-1049-ND	4.90	4.07	BPA-1592
	7.00 (177.8)	9.00 (228.6)	377-1050-ND	6.10	5.11	BPA-1593
	7.00 (177.8)	11.00 (279.4)	377-1051-ND	6.30	5.25	BPA-1594
	7.00 (177.8)	12.00 (304.8)	377-1052-ND	6.90	5.75	BPA-1595
10.00 (254)	17.00 (431.8)	377-1053-ND	11.30	9.47	BPA-1597	
13.00 (330.2)	17.00 (431.8)	377-1054-ND	15.80	13.17	BPA-1598	

Diecast Aluminum Econoboxes

Finish	Dimensions - Inch (mm)			Digi-Key Part No.	Price Each		Bud Ind. Part No.
	L	W	H		1	10	
Fig. 22 — Econobox							
Natural	3.62 (91.95)	1.50 (38.10)	1.21 (30.73)	377-1107-ND	6.90	5.75	CU-123
	4.37 (111.00)	2.37 (60.20)	1.21 (30.73)	377-1108-ND	7.20	6.05	CU-124
	4.68 (118.87)	3.68 (93.47)	2.21 (56.13)	377-1109-ND	11.60	9.65	CU-234
	7.39 (187.71)	4.70 (119.38)	2.21 (56.13)	377-1110-ND	19.60	16.35	CU-247
			377-1111-ND	23.00	19.20	CU-347	
Fig. 22 — Econobox with Mounting Flanges							
Natural	3.62 (91.95)	1.50 (38.10)	1.21 (30.73)	377-1462-ND	14.40	12.03	CU-4123
Black	3.62 (91.95)	1.50 (38.10)	1.21 (30.73)	377-1463-ND	16.50	13.78	CU-4123-B
Natural	4.37 (111.00)	2.37 (60.20)	1.21 (30.73)	377-1464-ND	18.40	15.34	CU-4124
Black	4.37 (111.00)	2.37 (60.20)	1.21 (30.73)	377-1465-ND	19.90	16.56	CU-4124-B
Natural	4.68 (118.87)	3.68 (93.47)	2.21 (56.13)	377-1466-ND	24.20	20.17	CU-4234

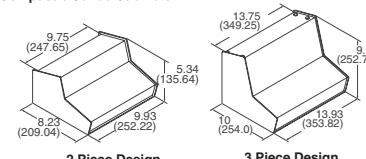
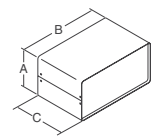
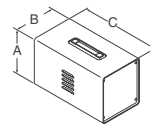
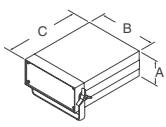
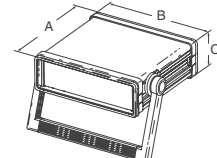
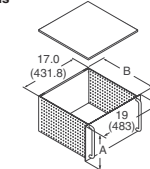
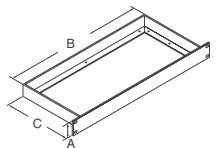
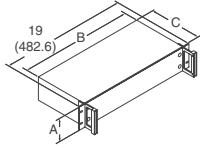
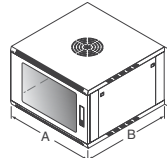
Finish	Dimensions - Inch (mm)			Digi-Key Part No.	Price Each		Bud Ind. Part No.
	L	W	H		1	10	
Fig. 23 — Extruded Aluminum Boxes							
Black	4.68 (118.87)	3.68 (93.47)	2.21 (56.13)	377-1467-ND	27.00	22.48	CU-4234-B
Natural	7.39 (187.71)	4.70 (119.38)	2.21 (56.13)	377-1468-ND	32.20	26.86	CU-4247
Black	7.39 (187.71)	4.70 (119.38)	2.21 (56.13)	377-1469-ND	37.20	31.00	CU-4247-B
Natural	7.39 (187.71)	4.70 (119.38)	3.21 (81.53)	377-1470-ND	37.70	31.44	CU-4347
Black	7.39 (187.71)	4.70 (119.38)	3.21 (81.53)	377-1471-ND	42.70	35.59	CU-4347-B
Natural	2.00 (50.8)	2.00 (50.8)	1.25 (31.75)	377-1472-ND	13.80	11.50	CU-4470
Black	2.00 (50.8)	2.00 (50.8)	1.25 (31.75)	377-1473-ND	14.90	12.44	CU-4470-B
Natural	4.33 (109.98)	3.25 (82.55)	1.75 (44.45)	377-1474-ND	20.50	17.09	CU-4471
Black	4.33 (109.98)	3.25 (82.55)	1.75 (44.45)	377-1475-ND	23.00	19.17	CU-4471-B
Natural	4.75 (120.65)	3.15 (80.01)	2.33 (59.18)	377-1476-ND	23.80	19.84	CU-4472
Black	4.75 (120.65)	3.15 (80.01)	2.33 (59.18)	377-1477-ND	27.00	22.48	CU-4472-B
Natural	4.68 (118.87)	3.68 (93.47)	1.34 (34.04)	377-1478-ND	22.40	18.65	CU-4473
Black	4.68 (118.87)	3.68 (93.47)	1.34 (34.04)	377-1479-ND	25.20	21.03	CU-4473-B
Natural	4.75 (120.65)	4.75 (120.65)	2.33 (59.18)	377-1480-ND	29.40	24.53	CU-4474
Black	4.75 (120.65)	4.75 (120.65)	2.33 (59.18)	377-1481-ND	33.40	27.84	CU-4474-B
Natural	4.75 (120.65)	4.75 (120.65)	3.75 (95.25)	377-1482-ND	33.90	28.26	CU-4475
Black	4.75 (120.65)	4.75 (120.65)	3.75 (95.25)	377-1483-ND	38.00	31.67	CU-4475-B
Natural	6.00 (152.4)	3.25 (82.55)	2.00 (50.8)	377-1484-ND	28.40	23.67	CU-4476
Black	6.00 (152.4)	3.25 (82.55)	2.00 (50.8)	377-1485-ND	31.70	26.40	CU-4476-B
Natural	7.39 (187.71)	4.70 (119.38)	1.50 (38.1)	377-1486-ND	29.60	24.67	CU-4477
Black	7.39 (187.71)	4.70 (119.38)	1.50 (38.1)	377-1487-ND	34.50	28.73	CU-4477-B
Natural	7.50 (190.5)	7.50 (190.5)	2.62 (66.55)	377-1488-ND	47.00	39.19	CU-4478
Black	7.50 (190.5)	7.50 (190.5)	2.62 (66.55)	377-1489-ND	53.10	44.28	CU-4478-B
Natural	4.37 (111.00)	2.37 (60.20)	2.13 (54.10)	377-1490-ND	21.90	18.28	CU-4479
Black	4.37 (111.00)	2.37 (60.20)	2.13 (54.10)	377-1491-ND	23.40	19.50	CU-4479-B

Extruded Aluminum Boxes

Finish	Dimensions - Inch (mm)			Digi-Key Part No.	Price Each		Bud Ind. Part No.
	L	W	H		1	10	
Fig. 23 — Extruded Aluminum Boxes							
3.81 (96.77)	3.14 (79.76)	1.57 (39.88)	377-1492-ND	14.30	11.94	EX-4500	
5.38 (136.65)	3.14 (79.76)	1.57 (39.88)	377-1493-ND	18.20	15.17	EX-4501	
6.96 (176.78)	3.14 (79.76)	1.57 (39.88)	377-1494-ND	22.00	18.32	EX-4502	
6.14 (155.96)	5.38 (136.65)	3.18 (80.77)	377-1495-				



Dimensions in Inch (mm)

<p>Fig. 28— Small Compucab Series Cabinets</p> <ul style="list-style-type: none"> • Dual-slope keyboard styling • Base and side .09" aluminum; • Back panel and cover .05" aluminum • Rubber feet included  <p>2 Piece Design 3 Piece Design</p>	<p>Fig. 29 — Champion Cabinets</p> <ul style="list-style-type: none"> • No screws on front or rear panel • Ventilation slots in bottom and rear panel • Black top and bottom; white front and rear • .05" aluminum • Four adhesive rubber feet included 	<p>Fig. 30 — Portacab Cabinets</p> <ul style="list-style-type: none"> • Designed for bench or portable use • Louvered sides • .05" aluminum • Metallic gray • Handle capacity 25 pounds • Four plastic feet included 
<p>Fig. 31 — TR Series Cabinets</p> <ul style="list-style-type: none"> • Top and bottom .05" aluminum; front panel .09" aluminum • Extruded aluminum frame • Corner gussets for added support • Carrying handle may be used as tilting bail • Front panel, self-adhesive rubber feet and handle/bail included • Royal blue texture body with white frame and bail 	<p>Fig. 32 — Aluminum Instrument Case</p> <ul style="list-style-type: none"> • Aluminum body with plastic front and rear bezels • Removable front and rear panels • Adjustable locking aluminum/handle • Extruded internal grooves for horizontal mounting of circuit board, chassis or panel 	<p>Fig. 33 — Rack Mount Chassis</p> <ul style="list-style-type: none"> • Front panel .12" thick mill finish aluminum with "Surface Shield" protection • Side panels are punched on a .87" grid • Handles and covers sold separately 
<p>Fig. 34 — Small Rack Mount Chassis</p> <ul style="list-style-type: none"> • Panels .10" thick aluminum; chassis .05" thick aluminum • Covers sold separately 	<p>Fig. 35 — ValuLine Cabinets</p> <ul style="list-style-type: none"> • Side and front panels .09" aluminum; base, rear and top .05" aluminum • 25lbs. load capacity • Rack mounting brackets and rubber feet included 	<p>Fig. 37 — VisionCab Cabinets</p> <ul style="list-style-type: none"> • Versatile steel cabinet • EIA spacing • Supplied with see-thru removable front door with clear acrylic window • Equipped with 110VAC, 105CFM exhaust fan for cooling 

Small Cabinets

Description	Digi-Key Part No.	Price Each		Bud Ind. Part No.
		1	5	
Fig. 28 — Compucab Series — Small Metal Enclosures				
2 Piece Design	377-1296-ND	83.00	69.30	SC-13100
3 Piece Design	377-1297-ND	161.60	134.90	SC-13101

Color	Dimensions - Inch (mm)			Digi-Key Part No.	Price Each		Bud Ind. Part No.
	A	B	C		1	10	
Fig. 29 — Champion Series Cabinets							
Black	6.00 (152.4)	12.00 (304.8)	10.00 (254)	377-1210-ND	102.70	85.70	CS-11212-BT
	8.00 (203.2)	9.00 (228.6)	8.00 (203.2)	377-1211-ND	100.10	83.51	CS-11214-BT
	8.00 (203.2)	12.00 (304.8)	10.00 (254)	377-1212-ND	112.50	93.89	CS-11216-BT

Portable Cabinets

Color	Dimensions - Inch (mm)			Digi-Key Part No.	Price Each		Bud Ind. Part No.
	A	B	C		1	10	
Fig. 30 — Portacab Cabinets							
Gray	8.00 (203.2)	6.12 (155.45)	8.00 (203.2)	377-1315-ND	107.70	89.85	WA-1540
	9.00 (228.6)	8.12 (206.25)	12.00 (304.8)	377-1316-ND	148.70	124.15	WA-1541
	8.00 (203.2)	10.12 (257.05)	8.00 (203.2)	377-1317-ND	126.50	105.70	WA-1542
	11.00 (279.4)	11.12 (282.45)	18.00 (457.2)	377-1318-ND	202.80	169.37	WA-1543

Color	Dimensions - Inch (mm)			Digi-Key Part No.	Price Each		Bud Ind. Part No.
	A	B	C		1	10	
Fig. 31 — TR Series Cabinets							
Blue/White	3.50 (88.9)	8.31 (211.07)	10.75 (273.05)	377-1312-ND	261.70	218.53	TR-6100
	5.25 (133.35)	8.31 (211.07)	13.25 (336.55)	377-1313-ND	280.20	233.94	TR-6101
	7.00 (177.8)	11.06 (280.9)	13.25 (336.55)	377-1055-ND	320.80	267.83	TR-6102

Showcase — Rack Mount Chassis

Dimensions - Inch (mm)	Handles	Digi-Key Part No.	Price Each		Bud Ind. Part No.
			1	5	
Fig. 33 — Rack Mount Chassis					
5.25 (133.35)	17.06 (433.32)	H-9160-B	377-1268-ND	71.30	59.53
7.00 (177.8)	17.06 (433.32)	H-9111-B	377-1269-ND	81.60	68.13
5.25 (133.35)	22.00 (558.8)	H-9160-B	377-1392-ND	80.30	67.05
7.00 (177.8)	22.00 (558.8)	H-9111-B	377-1393-ND	94.20	78.69
8.75 (222.25)	22.00 (558.8)	H-9112-B	377-1394-ND	114.70	95.79
10.50 (266.7)	22.00 (558.8)	H-9113-B	377-1395-ND	136.70	114.16

Description	Fits Chassis	Digi-Key Part No.	Price Each		Bud Ind. Part No.
			1	10	
Rack Mount Chassis Covers					
Solid Top or Bottom Cover	RM-14212-13	377-1310-ND	29.60	24.75	TBC-14252
Ventilated Top or Bottom Cover		377-1311-ND	33.10	27.65	TBC-14262
Solid Top or Bottom Cover	RM-14222-25	377-1396-ND	33.60	28.10	TBC-14253
Ventilated Top or Bottom Cover		377-1397-ND	35.50	29.70	TBC-14263

Dimensions - Inch (mm)	Fits Rack Inch (mm)	Digi-Key Part No.	Price Each		Bud Ind. Part No.
			1	10	
Fig. 34 — Small Rack Mount Chassis					
1.75 x 17.00 x 4.00 (44.45 x 431.8 x 101.6)	19.00 (482.6)	377-1205-ND	39.60	33.09	CH-14400
1.75 x 17.00 x 8.00 (44.45 x 431.8 x 203.2)	19.00 (482.6)	377-1206-ND	47.90	40.02	CH-14401
1.75 x 17.00 x 16.00 (44.45 x 431.8 x 406.4)	19.00 (482.6)	377-1207-ND	69.90	58.43	CH-14402
3.50 x 17.00 x 8.00 (88.9 x 431.8 x 203.2)	19.00 (482.6)	377-1208-ND	67.50	56.35	CH-14403
3.50 x 17.00 x 16.00 (88.9 x 431.8 x 406.4)	19.00 (482.6)	377-1209-ND	86.70	72.40	CH-14404

Description	Fits Chassis	Digi-Key Part No.	Price Each		Bud Ind. Part No.
			1	10	
Small Rack Mount Chassis Covers					
Ventilated Top or Bottom Cover Solid Top or Bottom Cover	CH-14400	377-1417-ND 377-1420-ND	11.90 10.00	9.96 8.34	C-14430 C-14440
Ventilated Top or Bottom Cover Solid Top or Bottom Cover	CH-14401, 03	377-1418-ND 377-1421-ND	20.00 15.80	16.73 13.17	C-14431 C-14441
Ventilated Top or Bottom Cover Solid Top or Bottom Cover	CH-14402, 04	377-1419-ND 377-1422-ND	32.00 27.00	26.73 22.55	C-14432 C-14442

Dimensions - Inch (mm)	Fits Rack Inch (mm)	Digi-Key Part No.	Price Each		Bud Ind. Part No.
			1	5	
Fig. 35 — ValuLine Series Cabinets (with handles)					
3.50 x 17.00 x 8.00 (88.9 x 431.8 x 203.2)	19.00 (482.6)	377-1238-ND	97.00	81.00	HC-14099
3.50 x 17.00 x 13.00 (88.9 x 431.8 x 330.2)	19.00 (482.6)	377-1239-ND	188.90	157.70	HC-14101
5.25 x 17.00 x 13.00 (133.35 x 431.8 x 330.2)	19.00 (482.6)	377-1240-ND	194.70	162.60	HC-14103
7.00 x 17.00 x 13.00 (177.8 x 431.8 x 330.2)	19.00 (482.6)	377-1241-ND	204.40	170.70	HC-14104
8.75 x 17.00 x 13.00 (222.25 x 431.8 x 330.2)	19.00 (482.6)	377-1242-ND	214.20	178.85	HC-14105
10.50 x 17.00 x 15.00 (266.7 x 431.8 x 381)	19.00 (482.6)	377-1243-ND	239.60	200.05	HC-14107

Open Racks

Color	Dimensions - Inch (cm)		Digi-Key Part No.	Price Each		Bud Ind. Part No.
	A	Panel Space		1	5	
Fig. 36 — Aluminum Open Racks						
Black	84.00 (213.36)	77.00 x 19.00 (195.58 x 48.26)	377-1196-ND	260.00	217.08	ARR-1272-BT
Natural	84.00 (213.36)	77.00 x 19.00 (195.58 x 48.26)	377-1197-ND	240.00	200.44	ARR-1272-NF

Color	Dimensions - Inch (cm)		Digi-Key Part No.	Price Each		Bud Ind. Part No.
	A	Panel Space		1	5	
NEW! Fig. 36 — Steel Open Racks NEW!						
Gray	70.625 (179.38)	66.5 x 19.00 (168.91 x 48.26)	377-1275-ND	261.70	218.09	RR-1264-MG
Black			377-1407-ND	261.70	218.09	RR-1264-BT
Gray	75.625 (192.08)	71.75 x 19.00 (182.24 x 48.26)	377-1282-ND	267.50	222.92	RR-1364-MG
Black			377-1281-ND	267.50	222.92	RR-1364-BT

VisionCab Cabinets

Dimensions - Inch (mm)	Panel Space Height - In. (mm)	Digi-Key Part No.	Price Each		Bud Ind. Part No.
			1	10	
Fig. 37 — VisionCab Cabinets - Black					
23.62 (599.95)	23.62 (599.95)	15.29 (388.37)	10.50 (266.70)	377-1581-ND	293.40
23.62 (599.95)	23.62 (599.95)	20.54 (521.72)	15.75 (400.05)	377-1582-ND	337.80
23.62 (599.95)	23.62 (599.95)	25.79 (655.07)	21.00 (533.40)	377-1583-ND	404.50
23.62 (599.95)	23.62 (599.95)	31.04 (788.42)	26.25 (666.75)	377-1584-ND	488.90
23.62 (599.95)	23.62 (599.95)	36.29 (921.77)	31.50 (800.10)	377-1585-ND	546.70

(Continued)

More Product Available Online: www.digkey.com

Toll-Free: 1-800-344-4539 • Phone 218-681-6674 • Fax: 218-681-3380

(T091) 2257

<p>Fig. 38 — Emperor Wall Mount Cabinets NEW!</p> <ul style="list-style-type: none"> Fits 19" panel Mouse pad slides underneath right or left Takes up 2-U of panel space 	<p>Fig. 39 — Keyboard/Mouse Shelf</p> <ul style="list-style-type: none"> High quality Designed for long wear 	<p>Fig. 40 — Stationary Shelves</p> <ul style="list-style-type: none"> Fits 19" wide panel spaces Supports up to 200 pounds Requires two pairs of panel mounting rails per cabinet 	<p>Fig. 41 — External Mount Brackets NEW!</p>
<p>Fig. 42 — Equipment Shelves</p> <ul style="list-style-type: none"> Fits 19" panel spaces One piece construction Supports 150 pounds 	<p>Fig. 43 — Handles</p> <ul style="list-style-type: none"> High quality Designed for long wear 	<p>Fig. 44 — Panels</p>	<p>Fig. 45 — Slides</p> <ul style="list-style-type: none"> Telescoping Zinc-plated alloy steel with ball bearings
<p>Fig. 46 — Slide Mounting Brackets</p> <ul style="list-style-type: none"> Designed for mounting two and three piece slides Sold in pairs 	<p>Fig. 47 — Tem-Stat Temperature Control</p> <ul style="list-style-type: none"> Contacts open when there is a 10°F drop in temperature Prevents shut-downs caused by overheating 	<p>Fig. 48 — Fan Tray Assemblies</p> <ul style="list-style-type: none"> Standard EIA 19.00" x 1-U (1.75") panel mounting 115VAC 7" long, three prong, power cord 	<p>Fig. 49 — Keyboard / Mouse Shelf</p>

NEW! Emperor Wall Mount Cabinets

Dimensions - Inch (cm)			Digi-Key Part No.	Price Each		Bud Ind. Part No.
A	B	C		1	10	
Fig. 38 — Emperor Wall Mount						
23.62 (59.99)	15.75 (40.00)	25.00 (63.5)	377-1624-ND	428.00	356.67	WM-5601
23.62 (59.99)	15.75 (40.00)	51.34 (130.40)	377-1625-ND	656.30	546.92	WM-5606
23.62 (59.99)	21.65 (54.99)	25.00 (63.5)	377-1626-ND	485.10	404.26	WM-5611
23.62 (59.99)	21.65 (54.99)	51.34 (130.40)	377-1627-ND	713.30	594.42	WM-5616

Accessories

Color	Maximum Panel Keyboard Width - Inch (cm)	Digi-Key Part No.	Price Each		Bud Ind. Part No.
Fig. 39 — Keyboard / Mouse Shelf			1	10	
Black	19.0 x 16.5 (48.26 x 41.91)	377-1244-ND	198.00	165.33	KS-1785-BT

Color	Dimensions - Inch (cm)		Digi-Key Part No.	Price Each		Bud Ind. Part No.
	Width	Depth		1	3	
Fig. 40 — Stationary Shelves — Non-Ventilated						
Black	17.90 (45.47)	26.50 (67.31)	377-1306-ND	89.30	66.90	SH-2382
	17.90 (45.47)	19.25 (48.90)	377-1188-ND	79.40	59.50	60-2380
	17.90 (45.47)	22.75 (57.79)	377-1189-ND	83.40	62.50	60-2381
	17.00 (43.18)	17.75 (45.09)	377-1416-ND†	144.00	—	SH-2388

Color	Dimensions - Inch (cm)		Digi-Key Part No.	Price Each		Bud Ind. Part No.
	Width	Depth		1	3	
Fig. 40 — Stationary Shelves - Ventilated						
Black	17.90 (45.47)	17.75 (45.09)	377-1307-ND	83.20	62.35	SH-2384
	17.90 (45.47)	21.25 (53.98)	377-1308-ND	86.30	64.65	SH-2385
	17.90 (45.47)	26.50 (67.31)	377-1309-ND	93.50	70.05	SH-2386
	17.00 (43.18)	17.75 (45.09)	377-1415-ND†	146.40	—	SH-2392

Color	Slide Length	Dimensions - Inch (cm)		Digi-Key Part No.	Price Each		Bud Ind. Part No.
		Travel	Load Rating (per pair)		1	3	
NEW! Fig. 41 — External Mount Brackets							
Dk. Gray	—	—	—	377-1628-ND	2.00	1.67	MB-1390-DG
Lt. Gray	—	—	—	377-1629-ND	2.00	1.67	MB-1390-LG

† Sliding Shelf

Color	Dimensions - Inch (cm)		Digi-Key Part No.	Price Each		Bud Ind. Part No.
	A	B		1	10	
Fig. 42 — Equipment Shelves - Open Rack - Non-Ventilated						
Black	17.62 (44.75)	15.00 (38.10)	377-1291-ND	73.60	61.45	SA-1750-BT
	17.62 (44.75)	20.00 (50.80)	377-1293-ND	88.00	73.50	SA-1752-BT

Color	Dimensions - Inch (cm)		Digi-Key Part No.	Price Each		Bud Ind. Part No.
	A	B		1	10	
Fig. 42 — Equipment Shelves - Open Rack - Ventilated						
Black	17.62 (44.75)	15.00 (38.10)	377-1292-ND	80.40	67.15	SA-1751-BT
	17.62 (44.75)	20.00 (50.80)	377-1294-ND	95.40	79.65	SA-1753-BT

Hand Clearance	Dimensions - Inch (mm)		Digi-Key Part No.	Price Each		Bud Ind. Part No.
	Mounting Center	Diameter		1	10	
Fig. 43A — Chrome Plated Handles						
1.25 (31.75)	6.00 (152.4)	.37 (9.398)	377-1228-ND*	8.30	6.95	H-9110-B
.93 (23.62)	4.00 (101.6)	.37 (9.398)	377-1229-ND*	6.40	5.30	H-9111-B
.93 (23.62)	6.00 (152.4)	.37 (9.398)	377-1230-ND*	7.80	6.50	H-9112-B
.93 (23.62)	8.00 (203.2)	.37 (9.398)	377-1231-ND	10.60	8.85	H-9113-B
1.50 (38.1)	8.00 (203.2)	.50 (12.7)	377-1232-ND†	16.50	13.80	H-9114-B
1.68 (3.36)	3.50 (88.9)	.37 (9.398)	377-1233-ND†	12.40	10.35	H-9160-B
1.00 (25.4)	5.25 (133.35)	.37 (9.398)	377-1234-ND†	10.60	8.90	H-9161-B
1.00 (25.4)	1.90 (48.26)	.25 (6.35)	377-1235-ND§	6.00	5.00	H-9166-B
1.00 (25.4)	3.00 (76.2)	.25 (6.35)	377-1236-ND§	5.70	4.70	H-9168-B
Fig. 43B — Clear Anodized Aluminum Handle						
1.09 (27.69)	4.00 (101.6)	—	377-1237-ND‡	10.80	9.05	H-9174-B

* Includes 2 - #10-32 x .37" screws. † Includes 2 - #6-32 x .50" screws. § Includes 2 - 1/4"-28 Hex nuts
‡ Includes 2-8.32 x .37" screws

Dimension - Inch (mm)	Digi-Key Part No.	Price Each		Bud Ind. Part No.
		1	10	
Fig. 44 — 19" Aluminum Surface Shield Panels - .12" Thick				
1.75 (44.45)	377-1300-ND	9.50	7.95	SFA-1831
3.50 (88.9)	377-1301-ND	13.90	11.55	SFA-1832
5.25 (133.35)	377-1302-ND	17.80	14.90	SFA-1833
7.00 (177.8)	377-1303-ND	22.80	19.05	SFA-1834
8.75 (222.25)	377-1304-ND	25.00	20.85	SFA-1835
10.50 (266.7)	377-1305-ND	32.40	27.00	SFA-1836
Fig. 44 — 19" Aluminum Panels - .12" Thick (Gray)				
1.75 (44.45)	377-1247-ND	13.00	10.92	PA-1101-MG
3.50 (88.9)	377-1248-ND	18.20	15.17	PA-1102-MG
5.25 (133.35)	377-1249-ND	25.00	20.82	PA-1103-MG
7.00 (177.8)	377-1250-ND	31.10	26.03	PA-1104-MG
8.75 (222.25)	377-1251-ND	37.60	31.40	PA-1105-MG
10.50 (266.7)	377-1252-ND	47.70	39.86	PA-1106-MG
12.25 (311.15)	377-1253-ND	52.30	43.59	PA-1107-MG
14.00 (355.6)	377-1254-ND	67.00	55.89	PA-1108-MG

Slide Length	Dimensions - Inch (cm)		Digi-Key Part No.	Price Each		Bud Ind. Part No.
	Travel	Load Rating (per pair)		1	3	
Fig. 45 — Sliding Mechanisms - 2 Piece Slide						
12 (30.48)	8 (20.32)	140 lbs.	377-1199-ND	30.50	25.45	AS-5000-A
16 (40.64)	12 (30.48)	120 lbs.	377-1200-ND	40.10	33.50	AS-5001-A
20 (50.80)	15 (38.10)	92 lbs.	377-1201-ND	42.00	35.10	AS-5002-A
26 (66.04)	19 (48.26)	70 lbs.	377-1202-ND	46.40	38.75	AS-5004-A
20 (50.80)	20.875 (53.02)	91 lbs.	377-1203-ND*	91.00	76.00	AS-5042-A

* 3 piece slide full extension

Description	Digi-Key Part No.	Price Each		Bud Ind. Part No.
Fig. 46 — Slide Mounting Brackets (Sold in Pairs)				
Universal Kit.....	377-1204-ND	30.20	25.05	BAS-5106

Description	Digi-Key Part No.	Price Each	5	Bud Ind. Part No.
Fig. 47 — Tem-Stat Temperature Control				
Normally Open; Closes on Temperature Rise...	377-1314-ND	34.80	—	TS-15

Description	Digi-Key Part No.	Price Each	5	Bud Ind. Part No.
Rack Mount Power Outlet Strip				
15 Amps.....	377-1414-ND	77.00	57.75	POS-194-S

Description	Digi-Key Part No.	Price Each	5	Bud Ind. Part No.
Fig. 48 — Fan Tray Assemblies				
Assembly with 3 Fans, Total CFM 315.....	377-1423-ND	215.10	155.95	FT-1973
Assembly with 6 Fans, Total CFM 630.....	377-1424-ND	330.90	239.92	FT-1976
Assembly with 9 Fans, Total CFM 945.....	377-1425-ND	434.00	314.66	FT-1979

More Product Available Online: www.digkey.com