



Illuminated Low Profile Pushbutton Switches

Snap-action contact mechanism. Snap-in mount (W01) with solder lug terminals and silver contacts; PCB mount (G03) with straight PC terminals and gold contacts.

Features:

• **Electrical Capacity:** • **Power Level (code W):** 5A at 125/250VAC or 5A at 30VDC • **Logic Level (code G):** 0.4VA maximum at 28V AC/DC maximum • **Dielectric Strength:** 1,000VAC minimum between contacts • **Mechanical Life:** 1,000,000 operations minimum (momentary); 200,000 operations minimum (alternate action) • **Electrical Life:** 10,000 operations minimum (silver); 200,000 operations minimum (gold) • **Total Travel:** .091" • **Operation Force:** 160 grams for single pole, 260 grams for double pole • **Contact Timing:** Break before make • **Operating Temperature:** -25°C - 50°C
UB Models: **UL recognized and CSA certified:** LED Rating: Red 1.85V at 20mA, Amber 2.0V at 20mA, Green 2.1V at 20mA.

Dimensions in (mm) Inch

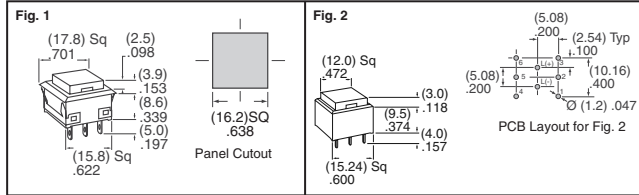


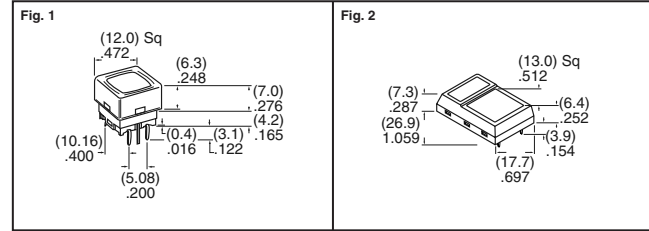
Fig.	Circuit	Switching Function	LED	Cap Desc. Lens / Diffuser	Digi-Key Part No.	Price Each	1	25	100	NKK Part No.	
Square Snap-in Mount, Single Element LED (UB Series) — 5A											
1	SPDT	On-Mom	Red	Red / Red	360-2102-ND	9.53	6.56	6.16	6.16	UB15KKW015C-CC-RO	
	SPDT	On-Mom	Amber	Amber / Amber	360-2103-ND	9.53	6.56	6.16	6.16	UB15KKW015D-DD-RO	
	SPDT	On-Mom	Green	Green / Green	360-2104-ND	9.53	6.56	6.16	6.16	UB15KKW015F-FF-RO	
	DPDT	On-Mom	Red	Red / Red	360-2105-ND	11.34	8.22	7.31	7.31	UB25KKW015C-CC-RO	
	DPDT	On-Mom	Amber	Amber / Amber	360-2106-ND	11.34	8.22	7.31	7.31	UB25KKW015D-DD-RO	
	DPDT	On-Mom	Green	Green / Green	360-1533-ND	11.34	8.22	7.31	7.31	UB25KKW015F-FF-RO	
2	DPDT	On-Mom	Green	Green / Green	360-2107-ND	11.34	8.22	7.31	7.31	UB25KKW015F-FF-RO	
	Square PCB Mount, Single Element LED (UB Series) — .4VA										
	SPDT	On-Mom	Red	Red / Red	360-1945-ND	9.14	6.29	5.91	5.91	UB15SKG035C-CC-RO	
	SPDT	On-Mom	Amber	Amber / Amber	360-1946-ND	9.14	6.29	5.91	5.91	UB15SKG035D-DD-RO	
	SPDT	On-Mom	Green	Green / Green	360-1947-ND	9.14	6.29	5.91	5.91	UB15SKG035F-FF-RO	
	DPDT	On-Mom	Red	Red / Red	360-1948-ND	11.48	8.32	7.40	7.40	UB25SKG035C-CC-RO	
2	DPDT	On-Mom	Amber	Amber / Amber	360-1544-ND	11.48	8.32	7.40	7.40	UB25SKG035D-DD-RO	
	DPDT	On-Mom	Amber	Amber / Amber	360-1949-ND	11.48	8.32	7.40	7.40	UB25SKG035D-DD-RO	
	DPDT	On-Mom	Green	Green / Green	360-1950-ND	11.48	8.32	7.40	7.40	UB25SKG035F-FF-RO	

• RoHS Compliant

Illuminated Process Sealed Tactile Switches



Dimensions in (mm) Inch



JB Series - Illuminated, Low Profile Momentary Switches:

Bright full face LED illumination for extremely long life. Sealed for automated soldering processes. Higher operating force provides more pronounced operating feel. All lenses come standard with diffused colored lens unless noted as clear. Terminal spacing conforming to .100" PCB grid. Straight, molded-in PC terminals. Single pole, single throw, variety of cap colors. Red, yellow or green LEDs.

Electrical Capacity: 50mA at 24VDC, maximum **Dielectric Strength:** 250VAC minimum **Mechanical Life:** 5,000,000 operations minimum **Electrical Life:** 5,000,000 operations minimum **Operating Temperature:** -25°C - 70°C **Total Travel:** .010"

JF Series - Illuminated, Ultra-Thin Momentary Switches:

JF Series are washable tactile switches with crisp tactile feedback. Terminal spacing conforming to .100" PCB grid. Single pole, single throw, variety of cap colors. Red, yellow or green LEDs.

Electrical Capacity: 50mA at 24VDC maximum **Dielectric Strength:** 250VAC minimum **Mechanical Life:** 500,000 operations minimum **Electrical Life:** 500,000 operations minimum **Operating Temperature:** -25°C - 70°C **Total Travel:** .016"

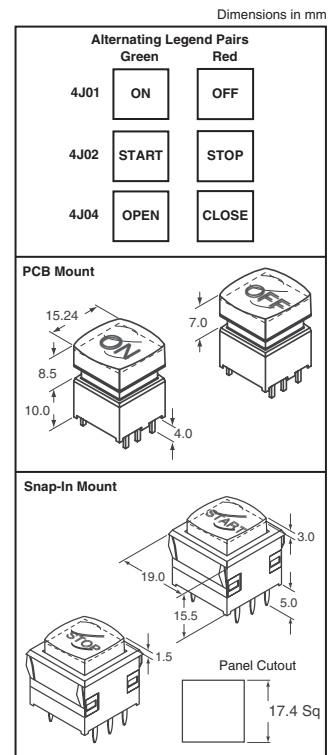
Fig.	Circuit	LED Color	Cap Description	Diffuser	Digi-Key Part No.	Price Each	1	25	100	NKK Part No.
JB Series Illuminated Low Profile Switches										
1	SPST	Red	Clear	White	360-1260-ND	4.31	2.78	2.47	2.47	JB15LPC-JB
	SPST	Red	Clear	Red	360-1261-ND	4.31	2.78	2.47	2.47	JB15LPC-JC
	SPST	Yellow	Clear	White	360-1262-ND	4.31	2.78	2.47	2.47	JB15LPE-JB
	SPST	Yellow	Clear	Yellow	360-1263-ND	4.31	2.78	2.47	2.47	JB15LPE-JE
	SPST	Green	Clear	White	360-1264-ND	4.31	2.78	2.47	2.47	JB15LPF-JB
	SPST	Green	Clear	Green	360-1265-ND	4.31	2.78	2.47	2.47	JB15LPF-JF
JF Series Illuminated Ultra Thin Switches										
2	SPST	Red	—	—	360-1266-ND	6.40	4.43	3.92	3.92	JF15AP1CC
	SPST	Yellow	—	—	360-1267-ND	7.70	5.24	4.78	4.78	JF15AP1EE
	SPST	Green	—	—	360-1268-ND	6.68	4.62	4.09	4.09	JF15AP1FF

Illuminated Low Profile Pushbutton Switches with Alternating Legend

The UB2's options feature super bright bi-color LEDs with alternating legends by color, all in one switch. These options offer innovative design engineers an exceptional choice to replace outdated, split legend caps. Super bright, red/green, bi-color LED switch selections can be specified with alternating ON/OFF, START/STOP, or OPEN/CLOSE legend configurations. The glossy polycarbonate cap features a single filter with a dual legend under the clear lens.

When actuated, the green or red LED brilliantly highlights the alternating legends, clearly indicating the desired circuit status. Legend text is black. **Electrical Capacity:** • **Power Level (Silver):** 5A @ 125/250VAC or 30VDC • **Logic Level (Gold):** 0.4VA maximum @ 28V AC/DC maximum **Mechanical Life:** 1,000,000 Operations minimum (momentary); 200,000 Operations minimum (alternate action) **Operating Temperature Range:** -25°C - 50°C

Circuit	Mounting Type	Switching Function	Contact Material	Alternating Legend	Digi-Key Part No.	Price Each	1	25	100	NKK Part No.
SPDT	PCB	On-Mom	Gold	ON/OFF	360-2227-ND	21.04	16.31	14.73	14.73	UB215SKG036CF-4J01
SPDT	PCB	On-On	Gold	ON/OFF	360-2228-ND	21.82	16.92	15.28	15.28	UB216SKG036CF-4J01
DPDT	PCB	On-Mom	Gold	ON/OFF	360-2229-ND	23.74	18.40	16.62	16.62	UB225SKG036CF-4J01
DPDT	PCB	On-On	Gold	ON/OFF	360-2225-ND	24.84	18.63	17.39	17.39	UB226SKG036CF-4J01
SPDT	Snap-In	On-Mom	Silver	ON/OFF	360-2226-ND	20.60	15.97	14.42	14.42	UB215KKW016CF-4J01
SPDT	Snap-In	On-On	Silver	ON/OFF	360-2222-ND	21.38	16.57	14.97	14.97	UB216KKW016CF-4J01
DPDT	Snap-In	On-Mom	Silver	ON/OFF	360-2228-ND	22.86	17.72	16.01	16.01	UB225KKW016CF-4J01
DPDT	Snap-In	On-On	Silver	ON/OFF	360-2224-ND	23.96	18.57	16.78	16.78	UB226KKW016CF-4J01
SPDT	PCB	On-Mom	Gold	START/STOP	360-2235-ND	21.04	16.31	14.73	14.73	UB215SKG036CF-4J02
SPDT	PCB	On-On	Gold	START/STOP	360-2231-ND	21.82	16.92	15.28	15.28	UB216SKG036CF-4J02
DPDT	PCB	On-Mom	Gold	START/STOP	360-2237-ND	23.74	18.40	16.62	16.62	UB225SKG036CF-4J02
DPDT	PCB	On-On	Gold	START/STOP	360-2233-ND	24.84	18.63	17.39	17.39	UB226SKG036CF-4J02
SPDT	Snap-In	On-Mom	Silver	START/STOP	360-2234-ND	20.60	15.97	14.42	14.42	UB215KKW016CF-4J02
SPDT	Snap-In	On-On	Silver	START/STOP	360-2230-ND	21.38	16.57	14.97	14.97	UB216KKW016CF-4J02
DPDT	Snap-In	On-Mom	Silver	START/STOP	360-2236-ND	22.86	17.72	16.01	16.01	UB225KKW016CF-4J02
DPDT	Snap-In	On-On	Silver	START/STOP	360-2232-ND	23.96	18.57	16.78	16.78	UB226KKW016CF-4J02
SPDT	PCB	On-Mom	Gold	OPEN/CLOSE	360-2243-ND	21.04	16.31	14.73	14.73	UB215SKG036CF-4J04
SPDT	PCB	On-On	Gold	OPEN/CLOSE	360-2239-ND	21.82	16.92	15.28	15.28	UB216SKG036CF-4J04
DPDT	PCB	On-Mom	Gold	OPEN/CLOSE	360-2245-ND	23.74	18.40	16.62	16.62	UB225SKG036CF-4J04
DPDT	PCB	On-On	Gold	OPEN/CLOSE	360-2241-ND	24.84	18.63	17.39	17.39	UB226SKG036CF-4J04
SPDT	Snap-In	On-Mom	Silver	OPEN/CLOSE	360-2242-ND	20.60	15.97	14.42	14.42	UB215KKW016CF-4J04
SPDT	Snap-In	On-On	Silver	OPEN/CLOSE	360-2238-ND	21.38	16.57	14.97	14.97	UB216KKW016CF-4J04
DPDT	Snap-In	On-Mom	Silver	OPEN/CLOSE	360-2244-ND	22.86	17.72	16.01	16.01	UB225KKW016CF-4J04
DPDT	Snap-In	On-On	Silver	OPEN/CLOSE	360-2240-ND	23.96	18.57	16.78	16.78	UB226KKW016CF-4J04



More Product Available Online: www.digkey.com

Toll-Free: 1-800-344-4539 • Phone 218-681-6674 • Fax: 218-681-3380

(T091) 2111