

CHERRY Rocker Switches

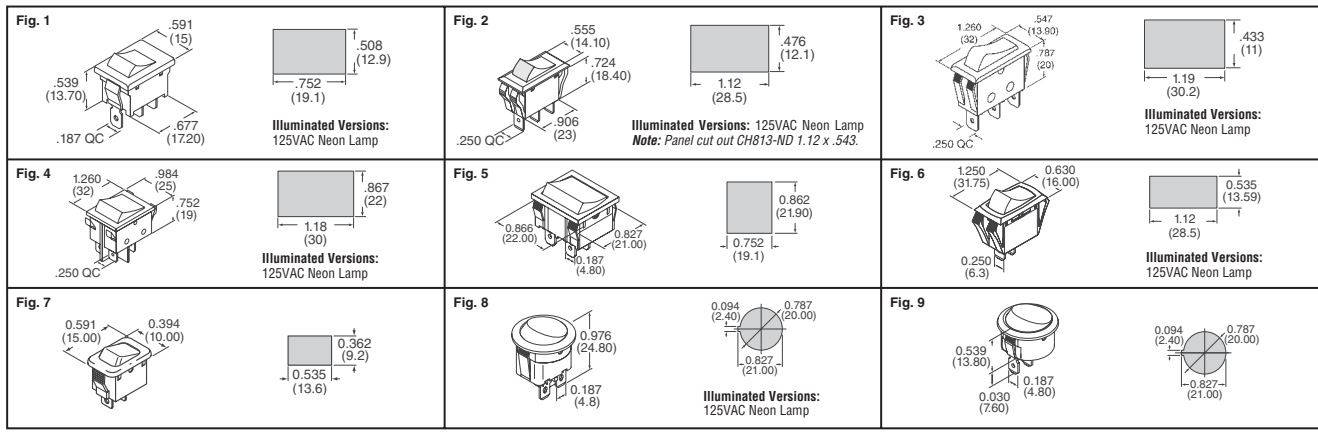
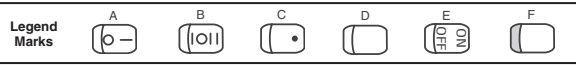


Fig.	Body Color	Actuator Color	Circuit Function	Switch Type	Legend Marking	Digi-Key Part No.	Price Each	1	10	50	Cherry Part No.		
SR Series — 10 Amp Miniature Rocker Switches													
1	Black	Black	On/Off	SPST	A	CH755-ND	.86	.77	.64		SRB22A2FBBNN		
		Black	On/On	SPDT	D	CH756-ND	.92	.82	.68		SRB23A2BBBNN		
		Black	On/Off/On	SPDT	B	CH757-ND	1.08	.96	.80		SRB24A2HBBNN		
		Black	On/Off	SPST	D	CH758-ND	.84	.75	.62		SRB22A2BBBNN		
		Black	On/Off	SPST	C	CH759-ND	.84	.75	.62		SRB22A2CBNN		
		Black	On/Off	SPST	E	CH760-ND	.84	.75	.62		SRB22A2DBBNN		
1	Black	Red	On/Off	SPST	A	CH761-ND	.86	.77	.64		SRB22A2FBRNN		
		White	On/Off	SPST	D	CH762-ND	.86	.77	.64		SRB22A2BWBNN		
		LR Series — 10 Amp Multi-pole Rocker Switches											
		Black	Black	On/Off	SPST	D	CH763-ND	1.00	.89	.74		LRA22H2BBBNN	
			Black	On/On	SPST	A	CH764-ND	1.00	.89	.74		LRA22H2FBNN	
			Black	On/Off	SPST	E	CH765-ND	1.00	.89	.74		LRA22H2DBBNN	
Grey	Grey	On/Off	SPST	A	CH768-ND	1.08	.96	.80		LRA22H2FYNN			
	Black	On/Off	DPST	A	CH770-ND	1.11	.99	.82		LRA32H2FBNN			
	Black	On/Off	DPST	E	CH771-ND	1.11	.99	.82		LRA32H2DBNN			
	Red-Illuminated	On/Off	DPST	D	CH773-ND	1.35	1.20	1.00		LRA32H2BBRLN			
	Red-Illuminated	On/Off	SPST	A	CH774-ND	1.24	1.11	.92		LRA32H2FBRLL			
	Red-Illuminated	On/Off	DPST	A	CH775-ND	1.35	1.20	1.00		LRA32H2FBRLL			
Black	Green-Illuminated	On/Off	DPST	D	CH776-ND	1.24	1.11	.92		LRA32H2BBGLN			
	Green-Illuminated	On/Off	DPST	A	CH779-ND	1.35	1.20	1.00		LRA32H2FBGLN			
	Amber-Illuminated	On/Off	SPST	D	CH780-ND	1.19	1.06	.88		LRA32H2BBALL			
	Amber-Illuminated	On/Off	DPST	D	CH781-ND	1.35	1.20	1.00		LRA32H2BBALL			
	CR Series — 20 Amp Standard Rocker Switches												
	Black	Black	On/Off	SPST	D	CH798-ND	1.05	.94	.78		CRE22F2BBBNE		
Black		On/Off	SPST	A	CH799-ND	1.05	.94	.78		CRE22F2FBBNE			
Black/Red Shade		On/Off	SPST	F	CH800-ND	1.08	.96	.80		CRE22F4BBBNE			
Black/Red Shade		On/Off	SPST	E/F	CH801-ND	1.08	.96	.80		CRE22F4DBBNE			
Black/Red Shade		On/Off	SPST	A/F	CH840-ND	1.08	.96	.80		CRE22F4FBBNE			
Black		On/Off	SPST	E	CH802-ND	1.05	.94	.78		CRE22F2PBNE			
White	Red	On/Off	SPST	A	CH803-ND	1.08	.96	.80		CRE22F2FBNE			
	White/Red Shade	On/Off	SPST	F	CH804-ND	1.11	.99	.82		CRE22F4BWWNE			
	Grey/Red Shade	On/Off	SPST	F	CH805-ND	1.11	.99	.82		CRE22F4BYNE			
	Black	On/On	SPST	D	CH806-ND	1.13	1.01	.84		CRE22H2BBBNE			
	Black	On/Off/On	SPDT	B	CH807-ND	1.16	1.04	.86		CRE24F2HBBNE			
	Black	On/Off/On	SPDT	D	CH808-ND	1.16	1.04	.86		CRE24F2BBBNE			
Black	Red-Illuminated	On/Off	SPST	D	CH809-ND	1.32	1.18	.98		CRE22F2BBRLE			
	Amber-Illuminated	On/Off	SPST	D	CH810-ND	1.32	1.18	.98		CRE22F2BBRLE			
	Green-Illuminated	On/Off	SPST	D	CH811-ND	1.32	1.18	.98		CRE22F2BBGLL			
	Black/Red Shade	On/Off	SPST	F	CH813-ND	1.51	1.35	1.12		CRE22F4BBBWW			
	Washable	On/Off	DPST	D	CH781-ND	1.35	1.20	1.00		LRA32H2BBALL			
	TR Series — 16 Amp Thin Power Rocker Switches												
3	Black	Black	On/Off	SPST	A	CH792-ND	1.16	1.04	.86		TRG22F2FBNN		
		Black	On/Off	SPST	E	CH793-ND	1.16	1.04	.86		TRG22F2DBNN		

Fig.	Body Color	Actuator Color	Circuit Function	Switch Type	Legend Marking	Digi-Key Part No.	Price Each	1	10	50	Cherry Part No.		
3	Black	Red	On/Off	SPST	A	CH794-ND	1.19	1.06	.88		TRG22F2FBRNN		
		Green-Illuminated	On/Off	SPST	D	CH795-ND	1.40	1.25	1.04		TRG22F2BBRLN		
		Green-Illuminated	On/Off	SPST	D	CH796-ND	1.40	1.25	1.04		TRG22F2BBGLN		
WR Series — 16 Amp Double-Pole Large Rocker Switches													
4	Black	Black	On/Off	DPST	A	CH784-ND	1.51	1.35	1.12		WRG32F2BBNN		
		Black	On/Off/On	DPDT	B	CH785-ND	1.51	1.35	1.12		WRG32F5BBNN		
		Black	On/Off/On	DPDT	B	CH786-ND	1.84	1.64	1.36		WRG34F2BBNN		
		Red-Illuminated	On/Off	DPST	D	CH787-ND	1.89	1.68	1.40		WRG32F2BBRLN		
		Red-Illuminated	On/Off	DPST	A	CH788-ND	1.89	1.68	1.40		WRG32F2FBRLL		
		Red-Illuminated	On/Off	DPST	D	CH789-ND	1.89	1.68	1.40		WRG32F5BBRLN		
4	Black	Green-Illuminated	On/Off	DPST	D	CH790-ND	1.89	1.68	1.40		WRG32F2BBGLN		
		Green-Illuminated	On/Off	DPST	A	CH791-ND	1.89	1.68	1.40		WRG32F2FBGLN		
		NEW! YR Series — 20 Amp Double-Pole Power Rocker Switches NEW!											
		4	Black	Black	On/Off	DPST	A	CH905-ND	2.05	1.83	1.52		YRM32F2FBNN
				Black	On/Off	DPST	D	CH906-ND	2.00	1.78	1.48		YRM32F2BBNN
				Black	On/Off	DPST	D	CH907-ND	2.54	2.26	1.88		YRM32F2BBRLN
FR Series — 12 Amp Double-Pole Rocker Switches													
5	Black	Black	On/Off	DPST	D	CH856-ND	1.65	1.47	1.22		FRH32A2BBNN		
		Black	On/On	DPDT	D	CH857-ND	1.65	1.47	1.22		FRH33A2BBNN		
		Black	On/Off	DPST	E	CH858-ND	1.65	1.47	1.22		FRH32A2DBNN		
GR Series — 15 Amp Compact Rocker Switches													
6	Black	Black	On/Off	SPST	D	CH860-ND	.86	.77	.64		GRF22N2BBNN		
		Black	On/Off	SPST	A	CH861-ND	.86	.77	.64		GRF22N2FBNN		
		Black	On/On	SPDT	D	CH862-ND	.95	.84	.70		GRF23N2BBNN		
		Red-Illuminated	On/Off	SPST	D	CH863-ND	1.19	1.06	.88		GRF22N2BBRLN		
PR Series — 6 Amp Power Rocker Switches													
7	Black	Black	On/Off	SPST	D	CH864-ND	1.16	1.04	.86		PRK22J5BBNN		
		Black	On/Off	SPST	E	CH865-ND	1.16	1.04	.86		PRK22J5DBNN		
RR Series — 10 Amp Round Rocker Switches													
8	Black	Black	On/Off	DPST	D	CH866-ND	1.11	.99	.82		RRA22H3BBNN		
		Black	On/Off	SPST	A	CH869-ND	1.11	.99	.82		RRA22H3FBNN		
		Black	On/Off	DPST	A	CH867-ND	1.65	1.47	1.22		RRA32A3FBNN		
		Black	On/Off	SPST	D	CH870-ND	1.49	1.32	1.10		RRA22H3BBRLN		
		Black	On/Off	SPST	D	CH873-ND†	1.49	1.32	1.10		RRA22H3BBRHL		
		Black	On/Off	DPST	D	CH871-ND	1.97	1.76	1.46		RRA32H3BBRLN		
		Black	On/Off	DPST	D	CH872-ND	1.49	1.32	1.10		RRA22H3BBBAL		
		Black	On/Off	DPST	D	CH874-ND	1.11	.99	.82		RRA22H3BWBNN		
9	Black	White	On/Off	SPST	D	CH868-ND	1.11	.99	.82		RRA22H3BWBNN		
		White	On/Off	SPST	D	CH874-ND	1.11	.99	.82		RRA22H3BWBNN		
		SR Series — 20 Amp Miniature Round Rocker Switches											
		9	Black	Black	On/Off	SPST	D	CH875-ND	1.24	1.11	.92		SRJ22A3BBNN
				Black	On/On	SPDT	D	CH876-ND	1.46	1.30	1.08		SRJ23A3BBNN
				Black	On/Off/On	SPDT	D	CH877-ND	1.57	1.40	1.16		SRJ24A3BBNN
Black	On/Off/On			SPDT	B	CH878-ND	1.57	1.40	1.16		SRJ24A3HBBNN		

† 12 VDC Incandescent

NKK Internationally Approved Rocker Switches

High Inrush TV Rated



JW Series: Industry's first molded rockers with TV rating (JWM and JWMW: TV-5; JWL: TV-8). UL, CSA, VDE, SEMKO and SEV approved. Silver contacts, epoxy sealed solder lug terminals. **Electrical Capacity:** JWM and JWMW: 10A @ 125/250VAC; JWMW: 10A @ 30VDC; JWL: 16A @ 125/250VAC. **Dielectric Strength:** 2,000VAC minimum between contacts; 4,000VAC minimum between contacts and case. **Electrical Life:** 25,000 operations minimum **Operating Temperature:** -25°C - 70°C. **Angle of Throw:** 26° **Terminals:** JWM and JWMW: Solder lugs, JWL: .187" QC All switches are black body with black actuator. IP67 Panel Seal Option available.

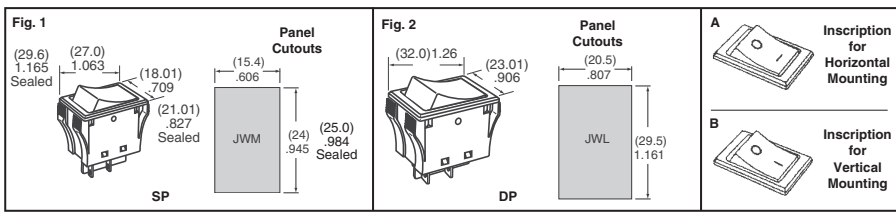


Fig.	Switching Circuit	Function	Marking	Digi-Key Part No.	Price Each	1	25	100	NKK Part No.
1	SPST	On-Off	A	360-1483-ND	6.38	4.42	3.91		JWM11RA1A
	SPST	On-Off	B	360-1484-ND	6.38	4.42	3.91		JWM11RA2A
	SPST	On-Off	A	360-1715-ND†	7.50	5.10	4.65		JWMW11RA1A
	SPST	On-Off	B	360-1716-ND†	7.50	5.10	4.65		JWMW11RA2A
	DPST	On-Off	A	360-1487-ND	7.99	5.67	5.17		JWM21RA1A
	DPST	On-Off	B	360-1488-ND	7.99	5.67	5.17		JWM21RA2A
	DPST	On-Off	A	360-1717-ND†	9.07	6.24	5.86		JWMW21RA1A

Fig.	Switching Circuit	Function	Marking	Digi-Key Part No.	Price Each	1	25	100	NKK Part No.
1	DPST	On-Off	B	360-1718-ND†	9.07	6.24	5.86		JWMW21RA2A
	SPST	On-Off	A	360-1481-ND	7.99	5.67	5.17		JWL11RA1A
	SPST	On-Off	B	360-1482-ND	7.99	5.67	5.17		JWL11RA2A
2	DPST	On-Off	A	360-1495-ND	10.42	7.39	7.03		JWL21RA1A
	DPST	On-Off	B	360-1496-ND	10.42	7.39	7.03		JWL21RA2A
— Switch Boot Waterproof JWL Series 360-1011-ND 3.39 2.10 1.85 AT4126									

† Panel Sealed

More Product Available Online: www.digkey.com



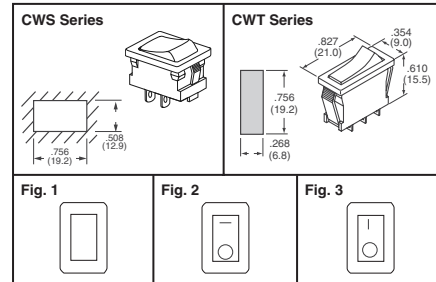
CW Series Rocker Switches



Fig.	Circuit	Switch Function	Actuator Color	Terminals	Current Rating	Digi-Key Part No.	Price Each			NKK Part No.
							1	25	100	
1	SPST	On-Off	—	Solder	6A	360-1720-ND	2.34	1.41	1.23	CWSA11AANS
	SPDT	On-On	—	Solder	6A	360-1727-ND	2.79	1.71	1.49	CWT12AAS1
	DPST	On-Off	Red 125VAC	.187 QC	9A	360-1728-ND	4.26	2.74	2.44	CWSB21CACF
	DPST	On-Off	Amber 125VAC	.187 QC	9A	360-1729-ND	4.06	2.52	2.29	CWSB21DADF
	DPST	On-Off	Green 125VAC	.187 QC	9A	360-1730-ND	4.26	2.74	2.44	CWSB21FAFF
	DPST	On-Off	Red LED	.110 QC	9A	360-1731-ND	7.30	4.97	4.47	CWSC21JCACS
	DPST	On-Off	Amber LED	.110 QC	9A	360-1732-ND	7.30	4.97	4.47	CWSC21JDADS
	DPST	On-Off	Green LED	.110 QC	9A	360-1733-ND	7.30	4.97	4.47	CWSC21JFACS
	SPST	On-Off	Red LED	.110 QC	9A	360-1734-ND	4.92	3.14	2.87	CWSC11JCACS
	SPST	On-Off	Amber LED	.110 QC	9A	360-1735-ND	4.92	3.14	2.87	CWSC11JDADS
SPST	On-Off	Green LED	.110 QC	9A	360-1736-ND	4.92	3.14	2.87	CWSC11JFACS	
2	SPST	On-Off	—	Solder	6A	360-1721-ND	2.50	1.51	1.31	CWSA11AA1S
	SPST	On-Off	—	.187 QC	6A	360-1723-ND	2.59	1.54	1.38	CWSB11AA1F
	DPST	On-Off	—	.187 QC	6A	360-1725-ND	3.39	2.10	1.85	CWSB21AA1F
3	SPST	On-Off	—	Solder	6A	360-1722-ND	2.50	1.51	1.31	CWSA11AA2S
	SPST	On-Off	—	.187 QC	6A	360-1724-ND	2.59	1.54	1.38	CWSB11AA2F
	DPST	On-Off	—	.187 QC	6A	360-1726-ND	3.39	2.10	1.85	CWSB21AA2F

Neon Lamp Ratings			
	Red	Amber	Green
Voltage	125V	125V	125V
Internal Resistance	33KΩ	33KΩ	33KΩ
Current	1.4mA	1.4mA	0.6mA

LED Ratings			
	Red	Amber	Green
Forward Voltage	2.1V	2.0V	1.95V
Forward Current	20mA	20mA	20mA
Peak Current	30mA	30mA	30mA



M Series Miniature Rocker Switches



FEATURES: • High insulating barriers increase isolation of circuits in multi-pole devices and provide added protection to contact points • Epoxy sealed terminals prevent entry of solder flux and other contaminants • Bias guards prevent misalignment of contacts; Interlocking of actuator block with rocker and internal guide does not allow transmission of diagonal force on rocker to reach contact mechanism **SPECIFICATIONS:** **Electrical Capacity:** • Power Level (Silver): 6A @ 125VAC, 3A @ 250VAC, 4A @ 30VDC for On-On circuits, 3A @ 30VDC for all others • Logic Level (Gold): 0.4VA maximum @ 28V AC/DC maximum • Contact Resistance: 10mΩ maximum (silver); 20mΩ maximum (gold) • Insulation Resistance: 1,000MΩ minimum @ 500VDC • Dielectric Strength: 1,000VAC minimum between contacts for 1 minute • Mechanical Life: 50,000 operations minimum • Electrical Life: 25,000 operations minimum for silver; 50,000 operations minimum for gold • Frame Material: Stainless steel, black actuator • Operating Temperature Range: -30°C - 85°C

3A @ 30VDC for all others • Logic Level (Gold): 0.4VA maximum @ 28V AC/DC maximum • Contact Resistance: 10mΩ maximum (silver); 20mΩ maximum (gold) • Insulation Resistance: 1,000MΩ minimum @ 500VDC • Dielectric Strength: 1,000VAC minimum between contacts for 1 minute • Mechanical Life: 50,000 operations minimum • Electrical Life: 25,000 operations minimum for silver; 50,000 operations minimum for gold • Frame Material: Stainless steel, black actuator • Operating Temperature Range: -30°C - 85°C

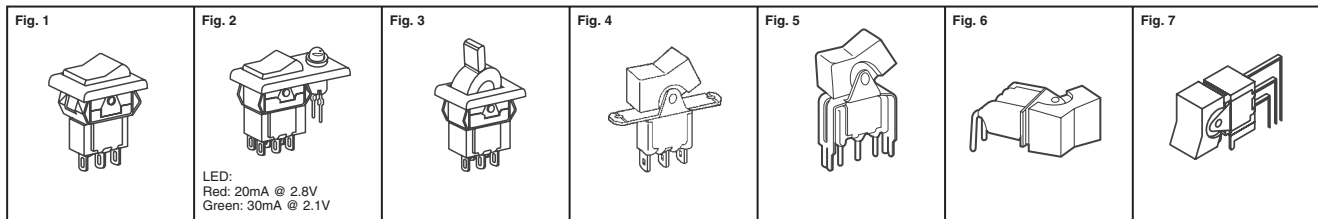


Fig.	Circuit	Actuator Description	Switching Function	Termination	Contact Material	Digi-Key Part No.	Price Each			NKK Part No.	
							1	25	100		
1	SPDT	Snap-In Rocker	On-On	Solder Lug	Silver	360-2247-ND	5.33	3.55	3.18	M2012TJW01-FA-1A	
	SPDT	Snap-In Rocker	On-Off-On	Solder Lug	Silver	360-2255-ND	5.95	3.97	3.55	M2013TJW01-FA-1A	
	SPDT	Snap-In Rocker	On-Mom	Solder Lug	Silver	360-2257-ND	6.47	4.31	3.86	M2015TJW01-FA-1A	
	SPDT	Snap-In Rocker	Mom-Off-Mom	Solder Lug	Silver	360-2259-ND	6.33	4.38	3.88	M2018TJW01-FA-1A	
	SPDT	Snap-In Rocker	On-Off-Mom	Solder Lug	Silver	360-2264-ND	6.33	4.38	3.88	M2019TJW01-FA-1A	
	DPDT	Snap-In Rocker	On-On	Solder Lug	Silver	360-2265-ND	6.88	4.76	4.21	M2022TJW01-FA-1A	
2	DPDT	Snap-In Rocker	On-Off-On	Solder Lug	Silver	360-2271-ND	7.73	5.26	4.79	M2023TJW01-FA-1A	
	DPDT	Snap-In Rocker	Mom-Off-Mom	Solder Lug	Silver	360-2273-ND	8.57	6.07	5.54	M2028TJW01-FA-1A	
	DPDT	Snap-In Rocker, Red LED	On-On	Solder Lug	Silver	360-2217-ND	7.99	5.67	5.17	M2022TJW01-FA-2A-C-RO	
3	DPDT	Snap-In Rocker, Green LED	On-On	Solder Lug	Silver	360-2266-ND	8.52	6.04	5.51	M2022TJW01-FA-2A-F	
	SPDT	Snap-In Paddle	On-on	Solder Lug	Silver	360-2248-ND	5.33	3.55	3.18	M2012TJW01-GA-1A	
	SPDT	Snap-In Paddle	On-Mom	Solder Lug	Silver	360-2215-ND	6.47	4.31	3.86	M2015TJW01-GA-1A	
	SPDT	Snap-In Paddle	Mom-Off-Mom	Solder Lug	Silver	360-2260-ND	6.33	4.38	3.88	M2018TJW01-GA-1A	
	DPDT	Snap-In Paddle	On-On	Solder Lug	Silver	360-2218-ND	6.88	4.76	4.21	M2022TJW01-GA-1A	
	DPDT	Snap-In Paddle	On-Off-On	Solder Lug	Silver	360-2220-ND	7.73	5.26	4.79	M2023TJW01-GA-1A	
	DPDT	Snap-In Paddle	On-On-On	Solder Lug	Silver	360-2272-ND	8.76	6.03	5.66	M2024TJW01-GA-1A	
	DPDT	Snap-In Paddle	On-Mom	Solder Lug	Silver	360-2221-ND	8.28	5.87	5.35	M2025TJW01-GA-1A	
	DPDT	Snap-In Paddle	Mom-Off-Mom	Solder Lug	Silver	360-2274-ND	8.57	6.07	5.54	M2028TJW01-GA-1A	
	4	SPDT	Rocker .365" Wide	On-On	Solder Lug	Silver	360-2249-ND	4.84	3.08	2.82	M2012TNW01-DA
		SPDT	Rocker .365" Wide	On-Off-On	Solder Lug	Silver	360-2256-ND	5.20	3.46	3.10	M2013TNW01-DA
		SPDT	Rocker .365" Wide	Mom-Off-Mom	Solder Lug	Silver	360-2261-ND	5.82	3.88	3.48	M2018TNW01-DA
SPDT		Paddle .365" Wide	Mom-Off-Mom	Solder Lug	Silver	360-2262-ND	5.82	3.88	3.48	M2018TNW01-EA	
SPDT		Paddle .595" Wide	Mom-Off-Mom	Solder Lug	Silver	360-2216-ND	6.08	4.05	3.63	M2018TYW01-DA	
DPDT		Rocker .365" Wide	On-On	Solder Lug	Silver	360-2267-ND	6.40	4.26	3.82	M2022TNW01-HA	
DPDT		Rocker .595" Wide	Mom-Off-Mom	Solder Lug	Silver	360-2275-ND	8.11	5.75	5.24	M2028TYW01-JA	
4PDT		Rocker .365" Wide	On-On	Solder Lug	Silver	360-2276-ND	11.66	8.45	7.52	M2042TNW01-DA	
5	SPDT	Rocker .365" Wide	On-On	PC Bracket	Gold	360-2250-ND	5.38	3.59	3.21	M2012TXG13-DA-RO	
	SPDT	Paddle .365" Wide	On-On	PC Bracket	Gold	360-2213-ND	5.38	3.59	3.21	M2012TXG13-EA-RO	
	SPDT	Rocker .365" Wide	On-On	PC Bracket	Silver	360-2252-ND	5.09	3.24	2.96	M2012TXW13-DA-RO	
	SPDT	Rocker .365" Wide	On-Off-On	PC Bracket	Gold	360-2214-ND	6.01	4.00	3.59	M2013TXG13-DA-RO	
	SPDT	Rocker .365" Wide	On-Mom	PC Bracket	Gold	360-2258-ND	6.28	4.35	3.85	M2015TXG13-DA-RO	
	SPDT	Rocker .595" Wide	Mom-Off-Mom	PC Bracket	Silver	360-2263-ND	6.25	4.33	3.83	M2018TXW13-JA-RO	
	DPDT	Rocker .365" Wide	On-On	PC Bracket	Gold	360-2219-ND	7.85	5.34	4.87	M2022TXG13-DA-RO	
6	SPDT	Rocker .365" Wide	On-On	Right Angle PC	Gold	360-2251-ND	5.67	3.78	3.38	M2012TXG30-DA-RO	
	SPDT	Rocker .365" Wide	On-On	Right Angle PC	Silver	360-2253-ND	5.29	3.43	3.14	M2012TXW30-DA-RO	
	DPDT	Rocker .365" Wide	On-On	Right Angle PC	Silver	360-2269-ND	7.28	4.95	4.46	M2022TXW30-DA-RO	
7	SPDT	Rocker .365" Wide	On-On	Vertical PC	Silver	360-2254-ND	5.75	3.83	3.43	M2012TXW41-DA-RO	
	DPDT	Rocker .365" Wide	On-On	Vertical PC	Gold	360-2268-ND	9.10	6.26	5.88	M2022TXG41-DA-RO	
	DPDT	Rocker .365" Wide	On-On	Vertical PC	Silver	360-2270-ND	8.06	5.72	5.21	M2022TXW41-DA-RO	

More Product Available Online: www.digikey.com

Toll-Free: 1-800-344-4539 • Phone 218-681-6674 • Fax: 218-681-3380