

Fig.	Circuit	Function	Switch Current (125VAC)	Digi-Key Part No.	Price Each			NKK Part No.
					1	25	100	
5	SPDT	On-Mom	15A	360-1926-ND	9.66	6.85	6.51	S5AW-RO
	SPDT	Mom-Off-Mom	15A	360-1933-ND★	10.19	7.23	6.87	S8AW-RO
	SPDT	On-Off-Mom	15A	360-1934-ND	10.19	7.23	6.87	S9AW-RO
	DPDT	On-On	20A	360-1928-ND	12.89	9.34	8.31	S6AW-RO
	DPDT	On-Off-On	20A	360-1931-ND	12.94	9.38	8.34	S7AW-RO
	DPST	On-Off	15A	360-1888-ND	11.43	8.29	7.37	S21AW-RO
	DPDT	On-Mom	15A	360-1890-ND	12.94	9.38	8.34	S25AW-RO
	DPDT	Mom-Off-Mom	15A	360-1891-ND	13.46	9.75	8.68	S28AW-RO
	DPDT	On-Off-Mom	15A	360-1892-ND	13.46	9.75	8.68	S29AW-RO
	High Capacity, Screw Lug							
6	DPST	On-Off	30A	360-2096-ND*	20.90	16.20	14.63	S821-RO
	DPDT	On-On	30A	360-2097-ND*	23.88	18.51	16.72	S822-RO
	DPDT	On-Off-On	30A	360-2098-ND*	21.50	16.67	15.05	S823-RO

Fig.	Circuit	Function	Switch Current (125VAC)	Digi-Key Part No.	Price Each			NKK Part No.
					1	25	100	
6	3PST	On-Off	30A	360-2099-ND*	29.99	23.07	21.54	S831-RO
	3PDT	On-On	30A	360-2100-ND*	36.17	27.83	25.97	S832-RO
	3PDT	On-Off-On	30A	360-2101-ND*	36.23	27.87	26.02	S833-RO
	DPDT	On-On	50A	360-2095-ND	46.53	36.47	33.96	S732-RO
Power Toggle Accessories								
7A	On-Off-Plate, 12mm, Nickel, Brass			360-1001-ND★	1.01	.53	.46	AT201
	On-Off-Plate, 12mm, Red/Black			360-1003-ND★	2.34	1.41	1.23	AT214
7B	On-Off-Plate, 12mm, Red/Black			360-1002-ND★	2.34	1.41	1.23	AT202
8	Splashproof Half-Boot, Black			360-1605-ND★	3.12	1.93	1.70	AT401A
	Splashproof Full-Boot, Black			360-1606-ND★	3.94	2.45	2.22	AT402A

* UL/CSA † UL ‡ CSA

Environmentally Sealed Switches

For use in outdoor or harsh applications.



Features: • Sealing at front and back panel meets IP67 of IEC60529 and IP60 Standards • Single unit construction of bushing and case gives added protection from environmental elements • Anti-jamming design protects contacts from damage due to excessive downward force on the toggle • Specially designed contact mechanism for breaking light contact welds • Minimal contact bounce achieved with designed interlocked switching mechanism

Specifications: • **Electrical Capacity:** Toggle: 10A @ 125VAC; Rocker: 15A @ 125VAC • **Dielectric Strength:** Toggle: 1,500VAC minimum; Rocker: 3,750VAC minimum between contacts and case • **Mechanical Life:** 30,000 operations minimum • **Electrical Life:** 15,000 operations minimum • **Operating Temperature:** Toggle: -30°C ~ 70°C; Rocker: -25°C ~ 85°C • **Angle of Throw:** 24° • **Panel Thickness:** .157" (4.0mm) • **Standard Hardware:** Toggle: 1 hex nut, 1 lockwasher, 1 O-ring • **Color:** Black

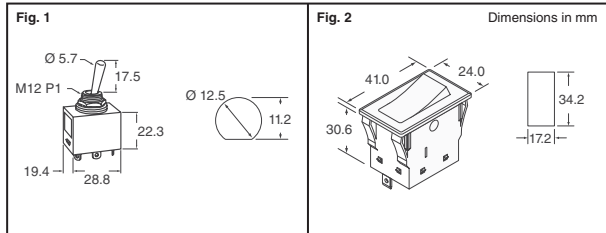


Fig.	Switching Circuit	Termination	Function	Digi-Key Part No.	Price Each			NKK Part No.
					1	25	100	
Sealed Toggle — 10A								
1	SPST	Solder Lug	On-Off	360-1951-ND	11.25	8.15	7.25	WT11S-RO
	SPST	Screw Lug	On-Off	360-1952-ND	12.04	8.73	7.76	WT11T-RO
	SPDT	Solder Lug	On-On	360-1953-ND	11.93	8.64	7.69	WT12S-RO
	SPDT	Screw Lug	On-On	360-1954-ND	12.71	9.21	8.20	WT12T-RO
	SPDT	Solder Lug	On-Off-On	360-1955-ND	12.56	9.10	8.10	WT13S-RO
	SPDT	Screw Lug	On-Off-On	360-1956-ND	13.34	9.67	8.60	WT13T-RO
	DPST	Solder Lug	On-Off	360-1957-ND	16.13	11.73	10.63	WT21S-RO
	DPST	Screw Lug	On-Off	360-1958-ND	16.86	12.45	11.45	WT21T-RO
	DPDT	Solder Lug	On-On	360-1959-ND	16.79	12.21	10.88	WT22S-RO
	DPDT	Screw Lug	On-On	360-1960-ND	17.49	12.92	11.88	WT22T-RO
DPDT	Solder Lug	On-Off-On	360-1961-ND	17.43	12.87	11.83	WT23S-RO	
DPDT	Screw Lug	On-Off-On	360-1962-ND	18.90	13.95	12.83	WT23T-RO	
Sealed Rocker — 15A								
2	SPST	.250" QC	On-Off	360-2277-ND	11.45	8.30	7.39	WR11AF
	SPST	Solder Lug	On-Off	360-1507-ND	11.45	8.30	7.39	WR11AS
	SPST	Solder Lug	On-Off	360-1510-NDΔ	11.45	8.30	7.39	WR11BS
	SPDT	.250" QC	On-On	360-2278-ND	12.06	8.74	7.78	WR12AF
	SPDT	Solder Lug	On-On	360-1513-ND	12.06	8.74	7.78	WR12AS
	SPDT	Solder Lug	On-On	360-1516-NDΔ	12.06	8.74	7.78	WR12BS
	SPDT	.250" QC	On-Off-On	360-2279-ND	12.69	9.20	8.18	WR13AF
	SPDT	Solder Lug	On-Off-On	360-1519-ND	12.69	9.20	8.18	WR13AS
	SPDT	Solder Lug	On-Off-On	360-1522-NDΔ	12.69	9.20	8.18	WR13BS
	SPDT	.250" QC	On-Mom	360-2280-ND	13.62	9.91	8.98	WR15AF
SPDT	.250" QC	Mom-Off-Mom	360-2281-ND	15.42	11.22	10.17	WR18AF	
SPDT	.250" QC	On-Off-Mom	360-2282-ND	15.42	11.22	10.17	WR19AF	

Δ Ivory

Fully Illuminated Toggle and Paddle Switches

TL Series: Interior O-ring protects contacts from oil, dust, water, and other contaminants **Specifications:** • **Power Level:** 6A @ 125VAC • **Electrical Life:** 25,000 operations minimum • **Sealing Ring:** Nitrile butadiene rubber • **Operating Temperature:** -10°C ~ 55°C • IP65 Panel seal when used with optional AT401P O-ring

G Series: Totally sealed body construction prevents contact contamination and allows time and money saving automated soldering and washing **Specifications:** • **Logic Level:** 0.4VA maximum @ 28V AC/DC

maximum • **Electrical Life:** 100,000 operations minimum • **Sealing Rings:** Nitrile butadiene rubber • **Non-Illuminated** • **Operating Temperature:** -25°C ~ 85°C • **Illuminated Operating Temperature:** -25°C ~ 55°C

GW Series: World's smallest fully illuminated paddles for highly visible status indication. Specially designed switching mechanism provides crisp actuation feedback to positively indicate circuit transfer. **Specifications:** • **Logic Level:** 0.4VA maximum @ 28V AC/DC maximum • **Electrical Life:** 50,000 operations minimum • **Sealing Rings:** Nitrile butadiene rubber • **Operating Temperature:** -25°C ~ 55°C

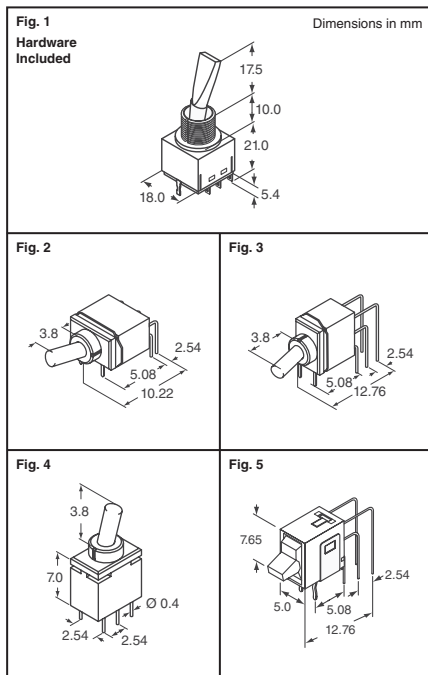


Fig.	Switch Circuit	Actuator Function	Illumination Color	Color	Digi-Key Part No.	Price Each			NKK Part No.	
						1	25	100		
Fully Illuminated Toggle Switches										
1	DPDT	On-On	Red	Bright Red	360-1939-ND◆	12.13	8.79	7.82	TL22DAW015C-RO	
	DPDT	On-On	Amber	Bright Amber	360-1940-ND◆	12.13	8.79	7.82	TL22DAW015D-RO	
	DPDT	On-On	Green	Bright Green	360-1941-ND◆	12.13	8.79	7.82	TL22FAW015F-RO	
	DPDT	On-On	Clear	Super Bright White	360-1713-ND	14.52	10.56	9.57	TL22DNAW016B-RO	
	DPDT	On-On	Clear	Super Bright White	360-1942-ND◆	14.52	10.56	9.57	TL22DNAW016B-RO	
	DPDT	On-On	Clear	Super Bright Blue	360-1944-ND◆	14.52	10.56	9.57	TL22DNAW016F-RO	
DPDT	On-On	Clear	Super Bright Green	360-1943-ND◆	14.52	10.56	9.57	TL22DNAW016F-RO		
—	Panel Seal O-Ring for TL Toggles					360-1719-ND◆	.92	.48	.40	AT401P
Ultra-Miniature Fully Illuminated Toggle Switches Process Sealed										
2	SPDT	On-On	Clear	Red	360-1760-ND◆	7.25	4.93	4.44	G12JHC-RO	
	SPDT	On-On	Clear	Amber	360-1688-ND	7.25	4.93	4.44	G12JHD	
	SPDT	On-On	Clear	Amber	360-1762-ND◆	7.25	4.93	4.44	G12JHD-RO	
	SPDT	On-On	Clear	Green	360-1691-ND	7.25	4.93	4.44	G12JHF	
	SPDT	On-On	Clear	Green	360-1763-ND◆	7.25	4.93	4.44	G12JHF-RO	
	SPDT	On-Off-On	Clear	Red/Green	360-1761-ND◆	8.16	5.78	5.27	G12JHCF-RO	
3	SPDT	On-Off-On	Clear	Red/Green	360-1771-ND◆	8.42	5.97	5.45	G13JHCF-RO	
	SPDT	On-On	Clear	Red	360-1764-ND◆	7.25	4.93	4.44	G12JVC-RO	
	SPDT	On-On	Clear	Amber	360-1690-ND	7.25	4.93	4.44	G12JVD	
	SPDT	On-On	Clear	Amber	360-1766-ND◆	7.25	4.93	4.44	G12JVD-RO	
	SPDT	On-On	Clear	Green	360-1767-ND◆	7.25	4.93	4.44	G12JVF-RO	
	SPDT	On-Off-On	Clear	Red/Green	360-1765-ND◆	8.16	5.78	5.27	G12JVCF-RO	
4	SPDT	On-Off-On	Clear	Red/Green	360-1772-ND◆	8.42	5.97	5.45	G13JVCF-RO	
	SPDT	On-On	Clear	Red	360-1686-ND◆	6.48	4.49	3.97	G12JPC	
	SPDT	On-On	Clear	Amber	360-1689-ND◆	6.48	4.49	3.97	G12JPD	
	SPDT	On-On	Clear	Green	360-1692-ND◆	6.48	4.49	3.97	G12JPF	
	SPDT	On-On	Clear	Red/Green	360-1695-ND◆	7.70	5.24	4.78	G12JPCF	
	SPDT	On-Off-On	Clear	Red/Green	360-1698-ND◆	7.98	5.43	4.95	G13JPCF	
Ultra-Miniature Non-Illuminated Toggle Switches Process Sealed — RoHS Compliant										
2	SPDT	On-On	Gray	—	360-1757-ND	4.81	3.07	2.80	G12AH-RO	
	SPDT	On-Off-On	Gray	—	360-1768-ND	5.03	3.21	2.93	G13AH-RO	
3	SPDT	On-Off-On	Gray	—	360-1759-ND	4.81	3.07	2.80	G12AV-RO	
	SPDT	On-Off-On	Gray	—	360-1770-ND	5.03	3.21	2.93	G13AV-RO	
4	SPDT	On-On	Gray	—	360-1758-ND	4.26	2.74	2.44	G12AP-RO	
	SPDT	On-Off-On	Gray	—	360-1769-ND	4.48	2.80	2.56	G13AP-RO	
Ultra Thin Fully Illuminated Paddles — RoHS Compliant										
5	SPDT	On-On	Clear	Red	360-2117-ND	6.45	4.30	3.85	GW12LJVC-RO	
	SPDT	On-On	Clear	Amber	360-2118-ND	6.45	4.30	3.85	GW12LJVD-RO	
	SPDT	On-On	Clear	Green	360-2119-ND	6.45	4.30	3.85	GW12LJVF-RO	

◆ RoHS Compliant

More Product Available Online: www.digkey.com