

Miniature Toggle Switches

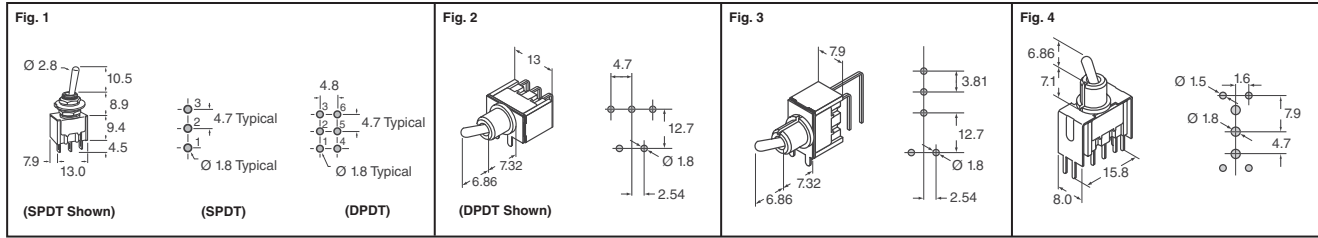
M Series Miniature Toggle Sample Kit

M Series: Over 350,000 different configurations possible, with the most popular listed here. Epoxy sealed terminals, high torque bushings, anti-jamming levers. Available as PCB mount or solder lug terminal for ease of wiring. • **Dielectric strength:** 1,500VAC minimum • **Mechanical Life:** 100,000 operations minimum, 50,000 operations minimum for flat and locking lever • **Electrical Life:** 25,000 operations minimum • **Operating Temperature:** -30°C - 85°C • **Angle of Throw:** 25° • **Standard Hardware:** 2 hex nuts, 1 locking ring, 1 lockwasher

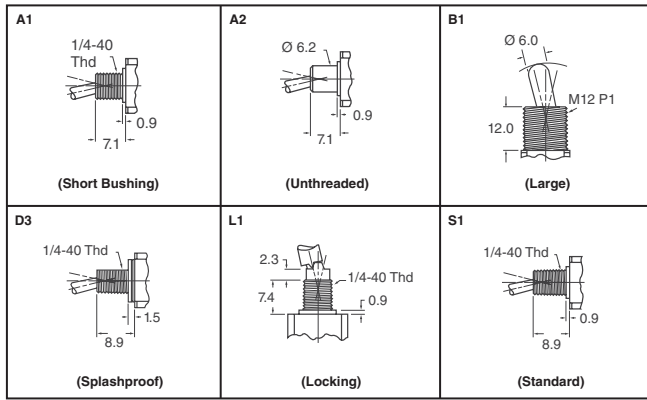
Kit includes 1 each of switches denoted. Also includes plastic storage case, bin storage guide and hardware.

\$ 360-2293-ND 18 Pieces Total — RoHS Compliant ... \$35.00

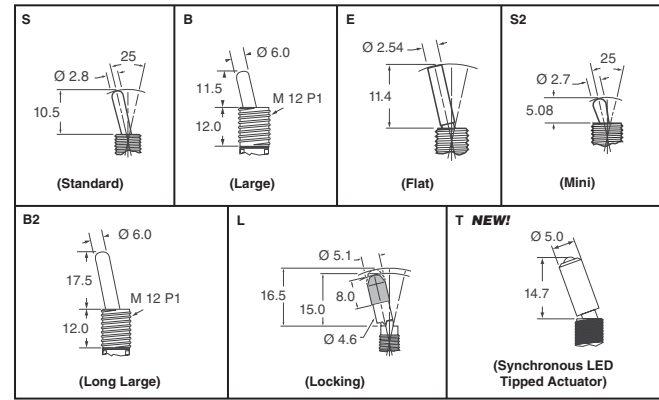
Dimensions in mm



Bushings



Actuators



Circuit	Switching Function	Options		Digi-Key Part No.	Price Each			NKK Part No.
		Actuator	Bushing		1	25	100	
Fig. 1 - Solder Lug 6A Silver Contacts								
SPDT	On-On	B	B1	360-1782-ND	5.93	3.95	3.54	M2012BB1W01-RO
SPDT	On-Off-On	B	B1	360-1804-ND	6.30	4.36	3.86	M2013BB1W01-RO
SPDT	On-Off-Mom	B	B1	360-2067-ND	6.90	4.78	4.23	M2019BB1W01-RO
DPDT	On-On	B	B1	360-1836-ND	7.45	5.07	4.56	M2022BB1W01-RO
DPDT	On-Off-On	B	B1	360-1846-ND	7.97	5.65	5.15	M2023BB1W01-RO
3PDT	On-On	B	B1	360-1858-ND	10.07	7.14	6.79	M2032BB1W01-RO
SPDT	On-On	B2	B1	360-1781-ND	6.14	4.09	3.66	M2012B2B1W01-RO
SPDT	On-Off-On	B2	B1	360-1803-ND	6.50	4.50	3.98	M2013B2B1W01-RO
SPDT	Mom-Off-Mom	B2	B1	360-2061-ND	7.10	4.83	4.35	M2018B2B1W01-RO
DPDT	On-On	B2	B1	360-1829-ND	7.65	5.21	4.75	M2022B2B1W01-RO
DPDT	On-Off-On	B2	B1	360-1845-ND	8.16	5.78	5.27	M2023B2B1W01-RO
SPDT	On-On	E	S1	360-1784-ND	4.95	3.15	2.88	M2012ES1W01-RO
SPDT	On-Off-On	E	S1	360-1806-ND	5.30	3.53	3.17	M2013ES1W01-RO
SPDT	On-Mom	E	S1	360-2056-ND	5.82	3.88	3.48	M2015ES1W01-RO
SPDT	Mom-Off-Mom	E	S1	360-2062-ND	5.93	3.95	3.54	M2018ES1W01-RO
SPDT	On-Off-Mom	E	S1	360-2068-ND	5.93	3.95	3.54	M2019ES1W01-RO
SP3T	On-On-On	E	S1	360-2072-ND	8.16	5.78	5.27	M2024ES1W01-RO
DPDT	On-On	E	S1	360-1832-ND	6.25	4.33	3.83	M2022ES1W01-RO
DPDT	On-Off-On	E	S1	360-1848-ND	7.10	4.83	4.35	M2023ES1W01-RO
DPDT	On-Mom	E	S1	360-2075-ND	8.00	5.44	4.96	M2025ES1W01-RO
DPDT	On-Off-On	E	S1	360-2308-ND NEW!	7.97	5.68	4.98	M2028ES1W01-RO
DPDT	On-Off-Mom	E	S1	360-2079-ND	7.97	5.65	5.15	M2029ES1W01-RO
3PDT	On-On	E	S1	360-1860-ND	9.36	6.44	6.05	M2032ES1W01-RO
3PDT	On-Off-On	E	S1	360-1867-ND	11.04	7.83	7.44	M2033ES1W01-RO
4PDT	On-On	E	S1	360-1870-ND	11.75	8.51	7.57	M2042ES1W01-RO
SPDT	On-On	L	L1	360-1787-ND	6.32	4.21	3.77	M2012LL1W01-RO
SPDT	On-Off-On	L	L1	360-1809-ND	6.68	4.62	4.09	M2013LL1W01-RO
SPDT	On-Mom	L	L1	360-2057-ND	7.18	4.88	4.40	M2015LL1W01-RO
DPDT	On-On	L	L1	360-1834-ND	7.83	5.33	4.86	M2022LL1W01-RO
DPDT	On-Off-On	L	L1	360-1849-ND	8.33	5.90	5.38	M2023LL1W01-RO
3PDT	On-On	L	L1	360-1861-ND	10.42	7.39	7.03	M2032LL1W01-RO
3PDT	On-Off-On	L	L1	360-1868-ND	12.22	8.86	8.28	M2033LL1W01-RO
4PDT	On-On	L	L1	360-1871-ND	13.16	9.54	8.89	M2042LL1W01-RO
SPDT	On-On	S	S1	360-1801-ND	4.06	2.52	2.29	M2012SS1W01-RO
SPDT	On-Off-On	S	S1	360-1816-ND	4.59	2.87	2.63	M2013SS1W01-RO
SPDT	On-Mom	S	S1	360-2059-ND	5.06	3.22	2.95	M2015SS1W01-RO
SPDT	Mom-Off-Mom	S	S1	360-2065-ND	5.17	3.29	3.01	M2018SS1W01-RO
SPDT	On-Off-Mom	S	S1	360-2070-ND	5.17	3.29	3.01	M2019SS1W01-RO
SP3T	On-On-On	S	S1	360-2073-ND	7.50	5.10	4.65	M2024SS1W01-RO
DPDT	On-On	S	S1	360-1843-ND	5.46	3.64	3.26	M2022SS1W01-RO
DPDT	On-Off-On	S	S1	360-1852-ND	6.34	4.23	3.79	M2023SS1W01-RO
DPDT	On-Off-Mom	S	S1	360-2076-ND	7.00	4.76	4.29	M2025SS1W01-RO
DPDT	Mom-Off-Mom	S	S1	360-2078-ND	7.30	4.97	4.47	M2028SS1W01-RO
DPDT	On-Off-Mom	S	S1	360-2080-ND	7.30	4.97	4.47	M2029SS1W01-RO
DP3T	On-On-On	S	S1	360-2082-ND	15.40	11.20	10.15	M2044SS1W01-RO
3PDT	On-On	S	S1	360-1865-ND	8.40	5.95	5.43	M2032SS1W01-RO
3PDT	On-Off-On	S	S1	360-1869-ND	10.12	7.18	6.82	M2033SS1W01-RO
3PDT	Mom-Off-Mom	S	S1	360-2081-ND	12.15	8.81	7.83	M2038SS1W01-RO
4PDT	On-On	S	S1	360-1874-ND	11.09	7.86	7.48	M2042SS1W01-RO
4PDT	On-Off-On	S	S1	360-1876-ND	12.96	9.39	8.66	M2043SS1W01-RO
SPDT	On-On	S	D3	360-1088-ND	4.95	3.15	2.88	M2012SD3W01-RO
SPDT	On-Off-On	S	D3	360-1089-ND	5.30	3.53	3.17	M2013SD3W01-RO

Circuit	Switching Function	Options		Digi-Key Part No.	Price Each			NKK Part No.
		Actuator	Bushing		1	25	100	
SPDT	On-Mom	S	D3	360-1090-ND	5.82	3.88	3.48	M2015SD3W01-RO
SPDT	Mom-Off-Mom	S	D3	360-1091-ND	5.93	3.95	3.54	M2018SD3W01-RO
SPDT	On-Off-Mom	S	D3	360-1092-ND	5.93	3.95	3.54	M2019SD3W01-RO
DPDT	On-On	S	D3	360-1093-ND	6.25	4.33	3.83	M2022SD3W01-RO
DPDT	On-Off-On	S	D3	360-1094-ND	7.10	4.83	4.35	M2023SD3W01-RO
DPDT	Mom-Off-Mom	S	D3	360-1095-ND	7.07	5.65	4.98	M2028SD3W01-RO
SPDT	On-On	S2	A1	360-1788-ND	4.96	2.52	2.29	M2012S2A1W01-RO
DPDT	On-On	S2	A1	360-1835-ND	5.46	3.64	3.26	M2022S2A1W01-RO
SPDT	On-On	S2	S1	360-1795-ND	4.06	2.52	2.29	M2012S2S1W01-RO
Fig. 1 - Solder Lug .4VA Gold Contacts - RoHS Compliant								
SPDT	On-On	B2	B1	360-1780-ND	6.45	4.47	3.95	M2012B2B1G01-RO
DPDT	On-On	B2	B1	360-1828-ND	8.38	5.94	5.41	M2022B2B1G01-RO
SPDT	On-On	E	S1	360-1783-ND	5.25	3.50	3.14	M2012ES1G01-RO
SPDT	On-Off-On	E	S1	360-1805-ND	5.88	3.91	3.51	M2013ES1G01-RO
SP3T	On-On-On	E	S1	360-1855-ND	9.19	6.32	5.94	M2024ES1G01-RO
DPDT	On-On	E	S1	360-1831-ND	7.33	4.99	4.49	M2022ES1G01-RO
DPDT	On-Off-On	E	S1	360-1847-ND	7.85	5.56	5.07	M2023ES1G01-RO
3PDT	On-On	E	S1	360-1859-ND	10.47	7.42	7.06	M2032ES1G01-RO
SPDT	On-On	L	L1	360-1786-ND	6.63	4.59	4.06	M2012LL1G01-RO
SPDT	On-Off-On	L	L1	360-1808-ND	7.23	4.92	4.43	M2013LL1G01-RO
SPDT	On-Mom	L	L1	360-1818-ND	7.73	5.26	4.79	M2015LL1G01-RO
DPDT	On-On	L	L1	360-1833-ND	8.54	6.06	5.52	M2022LL1G01-RO
SPDT	On-On	S	D3	360-1140-ND	5.25	3.50	3.14	M2012SD3G01-RO
SPDT	On-Off-On	S	D3	360-1141-ND	5.88	3.91	3.51	M2013SD3G01-RO
SPDT	Mom-Off-Mom	S	D3	360-1143-ND	6.25	4.33	3.83	M2018SD3G01-RO
DPDT	On-On	S	D3	360-1144-ND	7.33	4.99	4.49	M2022SD3G01-RO
SPDT	On-On	S	S1	360-1799-ND	4.54	2.84	2.60	M2012SS1G01-RO
SPDT	On-Off-On	S	S1	360-1814-ND	5.12	3.26	2.98	M2013SS1G01-RO
SPDT	On-Mom	S	S1	360-1819-ND	5.36	3.57	3.20	M2015SS1G01-RO
SPDT	Mom-Off-Mom	S	S1	360-1823-ND	5.46	3.64	3.26	M2018SS1G01-RO
SPDT	On-Off-Mom	S	S1	360-1826-ND	5.46	3.64	3.26	M2019SS1G01-RO
DPDT	On-On	S	S1	360-1841-ND	6.33	4.38	3.88	M2022SS1G01-RO
SP3T	On-On-On	S	S1	360-1856-ND	8.23	5.84	5.32	M2032SS1G01-RO
3PDT	On-On	S	S1	360-1863-ND	9.96	6.77	6.44	M2038SS1G01-RO
4PDT	On-On	S	S1	360-1872-ND	12.78	9.26	8.24	M2042SS1G01-RO
Fig. 1 - PC Terminal 6A Silver Contacts								
SPDT	On-On	E	S1	360-1785-ND	5.09	3.24	2.96	M2012ES1W03-RO
SPDT	On-Off-On	E	S1	360-1151-ND	5.43	3.62	3.24	M2013ES1W03-RO
SPDT	On-Off-On	E	S1	360-1807-ND	5.43	3.62	3.24	M2013ES1W03-RO
SPDT	Mom-Off-Mom	E	S1	360-2063-ND	6.06	4.04	3.62	M2018ES1W03-RO
SPDT	On-On	S	S1	360-1802-ND	4.21	2.61	2.37	M2012SS1W03-RO
SPDT	On-Off-On	S	S1	360-1817-ND	4.73	2.96	2.71	M2013SS1W03-RO
SPDT	On-Mom	S	S1	360-2060-ND	5.20	3.31	3.03	M2015SS1W03-RO
SPDT	On-Off-Mom	S	S1	360-2071-ND	5.21	3.38	3.09	M2019SS1W03-RO
SPDT	Mom-Off-Mom	S	S1	360-1081-ND	5.79	4.64	3.67	M2018SS1W03-RO
SPDT	Mom-Off-Mom	S	S1	360-2066-ND	5.21	3.38	3.09	M2018SS1W03-RO
SP3T	On-Off-On	S	S1	360-2074-ND	7.75	5.27	4.81	M2024SS1W03-RO
DPDT	On-On	S	S1	360-1844-ND	5.72	3.81	3.41	M2022SS1W03-RO
DPDT	On-Off-On	S	S1	360-1853-ND	6.35	4.40	3.89	M2023SS1W03-RO

• RoHS Compliant † SP3T uses a Dp Body †† DP3T uses a 4p Body

(Continued)

More Product Available Online: www.digkey.com

Toll-Free: 1-800-344-4539 • Phone 218-681-6674 • Fax: 218-681-3380

Circuit	Switching Function	Options		Digi-Key Part No.	Price Each			NKK Part No.
		Actuator	Bush-ing		1	25	100	
3PDT	On-On	S	S1	360-1866-ND\$	8.74	6.01	5.65	M2032SS1W03-RO
4PDT	On-On	S	S1	360-1875-ND\$	11.27	8.17	7.27	M2042SS1W03-RO
SPDT	On-On	S2	A1	360-1789-ND\$	4.21	2.61	2.37	M2012S2A1W03-RO
Fig. 1 - PC Terminal .4VA Gold Contacts - RoHS Compliant								
SPDT	On-On	S	S1	360-1800-ND	4.65	2.91	2.66	M2012SS1G03-RO
SPDT	On-Off-On	S	S1	360-1815-ND	5.13	3.33	3.04	M2013SS1G03-RO
SPDT	On-Mom	S	S1	360-1820-ND	5.46	3.64	3.26	M2015SS1G03-RO
SPDT	Mom-Off-Mom	S	S1	360-1824-ND	5.56	3.71	3.32	M2018SS1G03-RO
SPDT	On-Off-Mom	S	S1	360-1827-ND	5.56	3.71	3.32	M2019SS1G03-RO
SP3T	On-On-On	S	S1	360-1857-ND	8.47	6.01	5.48	M2024SS1G03-RO
DPDT	On-On	S	S1	360-1842-ND	6.58	4.55	4.03	M2022SS1G03-RO
DPDT	On-Off-On	S	S1	360-1851-ND	7.43	5.05	4.55	M2023SS1G03-RO
3PDT	On-On	S	S1	360-1864-ND	9.87	7.00	6.65	M2025SS1G03-RO
4PDT	On-On	S	S1	360-1873-ND	13.23	9.59	8.53	M2042SS1G03-RO
Fig. 2 - Right Angle PC Terminal 6A Silver Contacts - RoHS Compliant								
SPDT	On-On	S2	A2	360-1794-ND	4.65	2.91	2.66	M2012S2A2W30-RO
DPDT	On-On	S2	A2	360-1838-ND	6.53	4.52	4.00	M2022S2A2W30-RO
Fig. 2 - Right Angle PC Terminal .4VA Gold Contacts - RoHS Compliant								
SPDT	On-On	S	A2	360-1796-ND	5.17	3.29	3.01	M2012SA2G30-RO
SPDT	On-On	S2	A2	360-1791-ND	5.17	3.29	3.01	M2012SA2G30-RO
SPDT	On-Off-On	S2	A2	360-1810-ND	5.51	3.67	3.29	M2013SA2G30-RO
SPDT	Mom-Off-Mom	S2	A2	360-1821-ND\$	6.14	4.09	3.66	M2018SA2G30-RO
DPDT	On-On	S2	A2	360-1836-ND	7.60	5.17	4.72	M2022SA2G30-RO
3PDT	On-On	S2	A2	360-1862-ND	11.36	8.06	7.66	M2032SA2G30-RO
Fig. 3 - Vertical Right Angle PC Terminal .4VA Gold Contacts - RoHS Compliant								
SPDT	On-On	S2	A2	360-1792-ND	5.35	3.47	3.17	M2012S2A2G40-RO
SPDT	On-Off-On	S2	A2	360-1811-ND\$	5.77	3.85	3.45	M2013S2A2G40-RO
SPDT	On-Off-Mom	S2	A2	360-1825-ND	6.40	4.26	3.82	M2019S2A2G40-RO
DPDT	On-On	S2	A2	360-1837-ND	7.85	5.56	5.07	M2022S2A2G40-RO

Circuit	Switching Function	Options		Digi-Key Part No.	Price Each			NKK Part No.
		Actuator	Bush-ing		1	25	100	
SPDT	On-On	S2	A2	360-1793-ND	4.34	2.79	2.48	M2012S2A2W13-RO

Circuit	Switching Function	Options		Digi-Key Part No.	Price Each			NKK Part No.
		Actuator	Bush-ing		1	25	100	
SPDT	On-On	S2	A2	360-1790-ND\$	4.87	3.10	2.84	M2012S2A2G13-RO

Circuit	Switching Function	Options		LED Color	Digi-Key Part No.	Price Each			NKK Part No.
		Actuator	Bush-ing			1	25	100	
NEW! Fig. 1 - Solder Lug 6A Silver Contacts - RoHS Compliant NEW!									
SPDT	On-On	T	S1	Red/Green	360-2311-ND	9.07	6.24	5.67	M2112TCFW01-RO
				Red	360-2312-ND	8.23	5.84	5.15	M2112TCW01-RO
				Green	360-2313-ND	8.23	5.84	5.15	M2112TFW01-RO
SPDT	On-Off-On	T	S1	Red/Green	360-2314-ND	9.84	6.98	6.42	M2113TCFW01-RO
				Red	360-2315-ND	9.43	6.49	5.90	M2113TCW01-RO
				Green	360-2316-ND	9.43	6.49	5.90	M2113TFW01-RO
DPDT	On-On	T	S1	Red/Green	360-2317-ND	13.12	9.51	8.46	M2122TCFW01-RO
				Red	360-2318-ND	12.33	8.94	7.95	M2122TCW01-RO
				Green	360-2319-ND	12.33	8.94	7.95	M2122TFW01-RO
DPDT	On-Off-On	T	S1	Red	360-2310-ND	13.34	9.67	8.60	M2123TCW01-RO
				Red/Green	360-2320-ND	14.13	10.05	9.11	M2123TCFW01-RO
				Green	360-2321-ND	13.34	9.67	8.60	M2123TFW01-RO

◆ RoHS Compliant † SP3T uses a Dp Body †† DP3T uses a 4p Body

Splashproof Boots



Description	Digi-Key Part No.	Price Each			NKK Part No.
		1	25	100	
Black for 1/4-40 Thd Bushing and .413" (10.49mm) Bat Height	360-1750-ND	3.12	1.93	1.70	AT428H
Gray for M12 Bushing and .689" (17.50mm) Bat Height	360-1706-ND	3.94	2.45	2.22	AT402H
Red for M12 Bushing and .689" (17.50mm) Bat Height	360-1707-ND	3.94	2.45	2.22	AT402C
Yellow for M12 Bushing and .689" (17.50mm) Bat Height	360-1708-ND	3.94	2.45	2.22	AT402E

Power Toggle Switches

Features:

• NKK offers one of the most extensive lines of power toggle switches • Standard switching currents of 15, 25 and 30 Amps • Locking lever type is ideal for preventing accidental switching, lever must be pulled out then switched • All toggles come complete with mounting hardware

Specifications: • Dielectric Strength: 2000V AV minimum • Mechanical Life: 50,000 operations minimum • Operating Temperature: -10°C - 70°C



NEW! S Series Toggle Sample Kit

Kit includes 1 each of switches denoted except 360-100T-ND, 360-1002-ND and 360-1003-ND which have 2 each.

Also includes plastic storage case, bin storage guide and hardware.

★ 360-2309-ND 17 Pieces Total - RoHS Compliant ... \$63.00

Fig. 1 - Solder Terminal

3 Pole Shown

Fig. 2 - QC Terminal

1 Pole Shown

Fig. 3 - Locking Lever

Fig. 4 - Screw Terminal

Fig. 5 Dimensions in mm

Fig. 6 - HD Screw Terminal

Fig. 7

Red/Black Background with "ON" and "OFF" in White Lettering

Fig. 8

Full-Boot Half-Boot

Fig.	Circuit	Function	Switch Current (125VAC)	Digi-Key Part No.	Price Each			NKK Part No.	
Medium and High Capacity, Solder Lug									
1	SPST	On-Off	15A	360-1896-ND*	5.09	3.24	2.96	S301-RO	
	SPDT	On-On	15A	360-1898-ND*	5.09	3.24	2.96	S302-RO	
	SPDT	On-Off-On	15A	360-1900-ND*	5.20	3.46	3.10	S303-RO	
	SPDT	On-Mom	15A	360-1902-ND†	5.33	3.55	3.18	S305-RO	
	SPDT	Mom-Off-Mom	15A	360-1904-ND†	5.43	3.62	3.24	S308-RO	
	SPDT	On-Off-Mom	15A	360-1906-ND†*	5.62	3.74	3.35	S309-RO	
	DPST	On-Off	25A	360-2087-ND*	6.98	4.83	4.27	S331-RO	
	DPDT	On-On	25A	360-2089-ND*	6.98	4.83	4.27	S332-RO	
	DPDT	On-Off-On	25A	360-1909-ND*	7.82	5.55	5.06	S333-RO	
	DPDT	On-Mom	15A	360-1911-ND*	7.90	5.60	5.10	S335-RO	
	DPDT	Mom-Off-Mom	15A	360-1913-ND†	8.59	6.09	5.55	S338-RO	
	2	SPST	On-Off	15A	360-1915-ND†	8.59	6.09	5.55	S339-RO
3PST		On-Off	25A	360-2083-ND†	9.46	6.51	6.11	S31-RO	
3PDT		On-On	25A	360-2085-ND†	9.72	6.61	6.28	S32-RO	
3PDT		On-Off-On	25A	360-1908-ND†	10.05	7.13	6.78	S33-RO	
3PDT		On-Mom	15A	360-1918-ND*	10.05	7.13	6.78	S35-RO	
3PDT		Mom-Off-Mom	15A	360-1919-ND*	10.05	7.13	6.78	S38-RO	
4PST		On-Off	25A	360-2091-ND†*	10.72	7.60	7.23	S41-RO	
4PDT		On-On	25A	360-2093-ND†	10.72	7.60	7.23	S42-RO	
4PDT		On-Off-On	25A	360-1923-ND†	11.30	8.19	7.28	S43-RO	
4PDT		On-Mom	15A	360-1925-ND†	11.30	8.19	7.28	S45-RO	
Medium and High Capacity, .250" (6.35mm) Quick Connect									
2		SPST	On-Off	15A	360-1887-ND	4.48	2.80	2.56	S1F-RO
	SPDT	On-On	15A	360-1895-ND	5.14	3.28	3.00	S2F-RO	
	SPDT	On-Off-On	15A	360-1922-ND*	5.24	3.40	3.11	S3F-RO	
	DPST	On-Off	15A	360-1889-ND	6.08	4.05	3.63	S21F-RO	
	DPDT	On-On	20A	360-1929-ND	7.15	4.87	4.38	S6F-RO	
	DPDT	On-Off-On	20A	360-1932-ND	7.20	4.90	4.41	S7F-RO	
	3PST	On-Off	25A	360-2084-ND*	9.78	6.93	6.59	S31F-RO	
	3PDT	On-On	25A	360-2086-ND*	10.05	7.13	6.78	S32F-RO	

Fig.	Circuit	Function	Switch Current (125VAC)	Digi-Key Part No.	Price Each			NKK Part No.
2	3PDT	On-Off-On	25A	360-1917-ND*	10.76	7.63	7.26	S33F-RO
	4PST	On-Off	25A	360-2092-ND*	11.34	8.04	7.65	S41F-RO
	4PDT	On-On	25A	360-2094-ND*	11.39	8.25	7.34	S42F-RO
	4PDT	On-Off-On	25A	360-1924-ND*	12.20	8.84	7.86	S43F-RO
Medium Capacity, Solder Lug, Locking Lever with Panel Seal								
3	SPST	On-Off	15A	360-1885-ND	11.54	8.37	7.44	S1AL-RO
	SPDT	On-On	15A	360-1893-ND*	12.78	9.26	8.24	S2AL-RO
	SPDT	On-Off-On	15A	360-1920-ND	13.05	9.46	8.41	S3AL-RO
	DPDT	On-On	20A	360-1927-ND	14.96	10.88	9.86	S6AL-RO
	DPDT	On-Off-On	20A	360-1930-ND	15.07	10.96	9.94	S7AL-RO
Medium Capacity, Screw Lug								
4	SPST	On-Off	15A	360-1897-ND*	5.28	3.52	3.15	S301T-RO
	SPDT	On-On	15A	360-1899-ND*	5.43	3.62	3.24	S302T-RO
	SPDT	On-Off-On	15A	360-1901-ND*	5.75	3.83	3.43	S303T-RO
	SPDT	On-Mom	15A	360-1903-ND†	5.62	3.74	3.35	S305T-RO
	SPDT	Mom-Off-Mom	15A	360-1905-ND†	6.21	4.14	3.71	S308T-RO
	SPDT	On-Off-Mom	15A	360-1907-ND†	6.21	4.14	3.71	S309T-RO
	DPST	On-Off	15A	360-2088-ND*	7.78	5.29	4.83	S331T-RO
	DPDT	On-On	15A	360-2090-ND*	7.82	5.55	5.06	S332T-RO
	DPDT	On-Off-On	15A	360-1910-ND*	8.81	6.06	5.69	S333T-RO
	DPDT	On-Mom	15A	360-1912-ND*	9.02	6.21	5.83	S335T-RO
	DPDT	Mom-Off-Mom	15A	360-1914-ND*	9.46	6.51	6.11	S338T-RO
	DPDT	On-Off-Mom	15A	360-1916-ND*	9.72	6.61	6.28	S339T-RO
Medium Capacity, Solder Lug with Panel Seal								
5	SPDT	On-Off	15A	360-1886-ND	9.72	6.61	6.28	S1AW-RO
	SPDT	On-On	15A	360-1894-ND	10.12	7.18	6.82	S2AW-RO
	SPDT	On-Off-On	15A	360-1921-ND	10.65	7.55	7.18	S3AW-RO

* UL/CSA † UL ‡ CSA

(Continued)

More Product Available Online: www.digkey.com

Toll-Free: 1-800-344-4539 • Phone 218-681-6674 • Fax: 218-681-3380