



Momentary Tact Switches



NEW! SMT Subminiature Tact Switch Sample Kit

Kit includes 10 each of switches denoted. Also includes 10 each of part numbers EG4410CT-ND, EG4412CT-ND and EG4421CT-ND.
▲ EG4626-ND 160 Pieces Total — RoHS Compliant... \$32.00

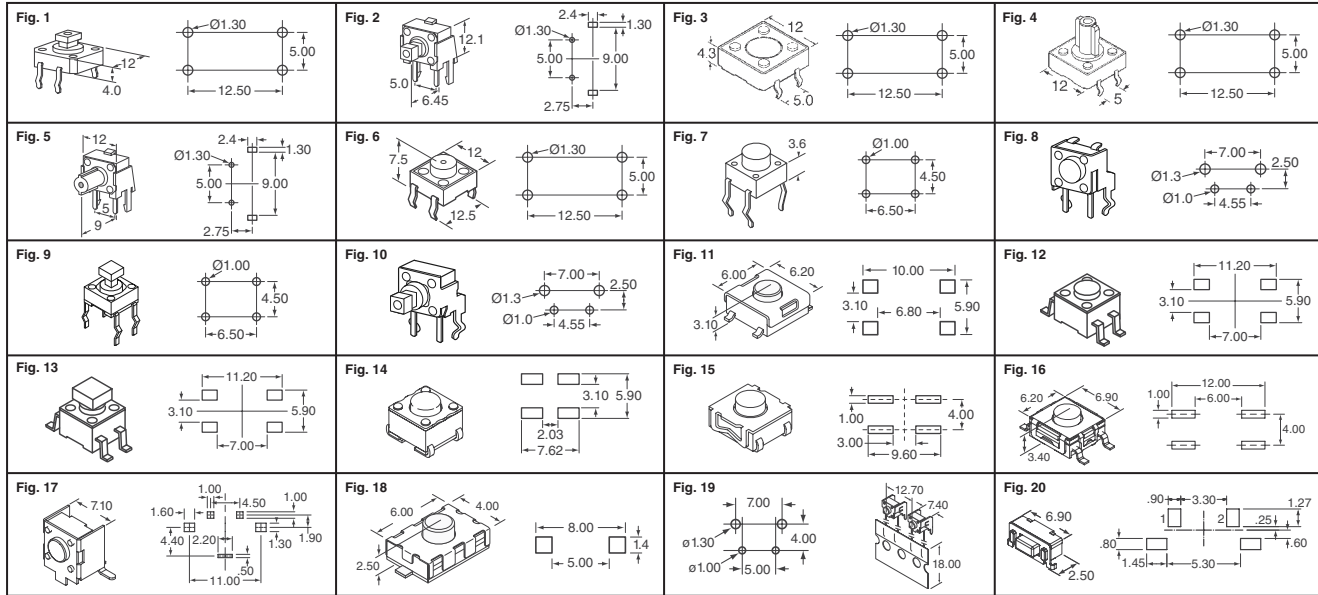


Fig.	Description	Digi-Key Part No.	Price Each	E-Switch Part No.
			1 10 100	
Tact Switches				
1	12mm Square Extended Actuator, Length = 7.3	EG1821-ND	.48 .44 .38	TL1100F1600
2	Right Angle 12mm Square Ext. Act., Length = 7.3	EG1822-ND	.48 .44 .38	TL1100CF1600
3	12mm Square Flat Actuator	EG1023-ND	.48 .44 .38	TL1100DF1600
4	12mm Square Post Actuator, Length = 12.0	EG1024-ND	.41 .37 .32	TL1100FF1600
5	12mm Square R/A Post Actuator, Length = 9.0	EG1025-ND	.69 .62 .53	TL1100GF1600
6	12mm Square Long Flat Actuator	EG1826-ND	.48 .44 .38	TL1100EF1600
7	6mm Square 4.3mm Actuator 100gf	EG2494-ND	.20 .18 .15	TL1105F1000
	6mm Square 4.3mm Actuator 160gf	EG1827-ND	.20 .18 .15	TL1105F1600
	6mm Square 4.3mm Actuator 160gf with ESD	EG2490-ND	.30 .27 .23	TL1105F1600
	6mm Square Gold Plating 4.3mm Actuator 160gf	EG2492-ND	1.01 .91 .78	TL1105F160R
	6mm Square 4.3mm Actuator 250gf	EG1828-ND	.20 .18 .15	TL1105F2500
	6mm Square 5mm Actuator 100gf	EG2495-ND	.29 .26 .22	TL1105AF1000
	6mm Square 5mm Actuator 160gf	EG1829-ND	.29 .26 .22	TL1105AF1600
	6mm Square 5mm Actuator 160gf with ESD	EG2491-ND	.30 .27 .23	TL1105AF1600
	6mm Square Gold Plating 5mm Actuator 160gf	EG2493-ND	1.01 .91 .78	TL1105AF160R
	6mm Square 5mm Actuator 250gf	EG1830-ND	.29 .26 .22	TL1105AF2500
	6mm Square 7.0mm Actuator 160gf	EG4369-ND	.20 .18 .15	TL1105FF1600
	6mm Square 7.3mm Actuator 100gf	EG2496-ND	.20 .18 .15	TL1105EF1000
	6mm Square 7.3mm Actuator 160gf	EG1831-ND	.20 .18 .15	TL1105EF1600
	6mm Square 7.3mm Actuator 250gf	EG1832-ND	.20 .18 .15	TL1105EF2500
	6mm Square 8.5mm Actuator 160gf	EG4371-ND	.20 .18 .15	TL1105PF1600
	6mm Square 9.5mm Actuator 100gf	EG2497-ND	.20 .18 .15	TL1105BF1000
	6mm Square 9.5mm Actuator 160gf	EG1833-ND	.20 .18 .15	TL1105BF1600
	6mm Square 9.5mm Actuator 250gf	EG1834-ND	.20 .18 .15	TL1105BF2500
	6mm Square 13mm Actuator 100gf	EG2498-ND	.20 .18 .15	TL1105DF1000
	6mm Square 13mm Actuator 160gf	EG1865-ND	.20 .18 .15	TL1105DF1600
6mm Square Gold Plating 13mm Actuator 160gf	EG4565-ND	1.01 .91 .78	TL1105DF2500	
6mm Square 13mm Actuator 250gf	EG1866-ND	.20 .18 .15	TL1105DF1600	
6mm Square 17mm Actuator 100gf	EG2504-ND	.32 .29 .25	TL1105LF1000	
6mm Square 17mm Actuator 160gf	EG2505-ND	.32 .29 .25	TL1105LF1600	
6mm Square 17mm Actuator 250gf	EG2506-ND	.32 .29 .25	TL1105LF2500	
6mm Square Right Angle 3.15mm Actuator 100gf	EG2499-ND	.37 .33 .29	TL1105WF1000	
6mm Square Right Angle 3.15mm Actuator 160gf	EG1835-ND	.37 .33 .29	TL1105WF1600	
6mm Square Right Angle 3.15mm Actuator 250gf	EG1836-ND	.37 .33 .29	TL1105WF2500	
6mm Square Right Angle 3.85mm Actuator 100gf	EG2507-ND	.37 .33 .29	TL1105VF1000	
6mm Square Right Angle 3.85mm Actuator 160gf	EG2508-ND	.37 .33 .29	TL1105VF1600	
6mm Square Right Angle 3.85mm Actuator 250gf	EG2509-ND	.37 .33 .29	TL1105VF2500	
6mm Square Right Angle 5.85mm Actuator 100gf	EG4559-ND	.37 .33 .29	TL1105XF1000	
6mm Square Right Angle 5.85mm Actuator 160gf	EG4372-ND	.37 .33 .29	TL1105XF1600	
6mm Square Right Angle 5.85mm Actuator 160gf	EG4373-ND	1.37 1.22 1.05	TL1105XF160094V0	
6mm Square Right Angle 5.85mm Actuator 250gf	EG4560-ND	.37 .33 .29	TL1105XF2500	
6mm Square Right Angle 6.15mm Actuator 100gf	EG2500-ND	.37 .33 .29	TL1105RF1000	
6mm Square Right Angle 6.15mm Actuator 160gf	EG1837-ND	.37 .33 .29	TL1105RF1600	
6mm Square Right Angle 6.15mm Actuator 250gf	EG1838-ND	.37 .33 .29	TL1105RF2500	
6mm Square Right Angle 6.85mm Actuator 100gf	EG4557-ND	.37 .33 .29	TL1105MF1000	
6mm Square Right Angle 6.85mm Actuator 160gf	EG4370-ND	.37 .33 .29	TL1105MF1600	
6mm Square Right Angle 6.85mm Actuator 250gf	EG4558-ND	.37 .33 .29	TL1105MF2500	
6mm Square Right Angle 8.35mm Actuator 100gf	EG2501-ND	.37 .33 .29	TL1105SF1000	
6mm Square Right Angle 8.35mm Actuator 160gf	EG1839-ND	.37 .33 .29	TL1105SF1600	
6mm Square Right Angle 8.35mm Actuator 250gf	EG1840-ND	.37 .33 .29	TL1105SF2500	
6mm Square 7.5mm Extended Actuator 100gf	EG2502-ND	.29 .26 .22	TL1105SPF1000	
6mm Square 7.5mm Extended Actuator 160gf	EG1861-ND	.29 .26 .22	TL1105SPF1600	
6mm Square 7.5mm Extended Actuator 250gf	EG1862-ND	.29 .26 .22	TL1105SPF2500	
6mm Square R/A 2.8mm Ext. Actuator 100gf	EG2503-ND	.51 .46 .39	TL1105JAF1000	
6mm Square R/A 2.8mm Ext. Actuator 160gf	EG1863-ND	.51 .46 .39	TL1105JAF1600	
6mm Square R/A 2.8mm Ext. Actuator 250gf	EG1864-ND	.51 .46 .39	TL1105JAF2500	
6mm Square 3.1mm Actuator 100gf	EG4586CT-ND	.99 .80 .72	TL3303F1000G	
6mm Square 3.1mm Actuator 100gf	EG4607TR-ND	.99 .80 .72	TL3303F1000G	
6mm Square 3.1mm Actuator 160gf	EG4607CT-ND	.99 .80 .72	TL3303F1600G	

Fig.	Description	Digi-Key Part No.	Price Each	E-Switch Part No.
			1 10 100	
11	6mm Square 3.1mm Actuator 160gf	EG4607TR-ND	576.38/1.500	TL3303F1600G
	6mm Square 3.1mm Actuator 260gf	EG4587CT-ND	99 .80 .72	TL3303F2600G
	6mm Square 3.1mm Actuator 260gf	EG4587TR-ND	576.38/1.500	TL3303F2600G
12	6mm Square SMT 4.3mm Actuator 160gf	EG1867CT-ND	.53 .43 .39	TL3301NF1600G/TR
	6mm Square SMT 4.3mm Actuator 160gf	EG1867TR-ND	204.45/1.000	TL3301NF1600G
	6mm Square SMT 4.3mm Actuator 260gf	EG1868CT-ND	.53 .43 .39	TL3301NF2600G
	6mm Square SMT 4.3mm Actuator 260gf	EG1868TR-ND	204.45/1.000	TL3301NF2600G
	6mm Square SMT 5.0mm Act. 160gf Gull Wing	EG2526CT-ND	.53 .43 .39	TL3301AF1600G
	6mm Square SMT 5.0mm Act. 160gf Gull Wing	EG2526TR-ND	204.45/1.000	TL3301AF1600G
	6mm Square SMT 5.0mm Act. 260gf Gull Wing	EG2527CT-ND	.53 .43 .39	TL3301AF2600G
	6mm Square SMT 5.0mm Act. 260gf Gull Wing	EG2527TR-ND	204.45/1.000	TL3301AF2600G
	6mm Square SMT 7.0mm Actuator 160gf	EG4375CT-ND	.53 .43 .39	TL3301FF1600G
	6mm Square SMT 7.0mm Actuator 160gf	EG4375TR-ND	172.73/700	TL3301FF1600G
	6mm Square SMT 8.5mm Act. 160gf Gull Wing	EG4562CT-ND	.53 .43 .39	TL3301PF1600G
	6mm Square SMT 8.5mm Act. 160gf Gull Wing	EG4562TR-ND	160.39/650	TL3301PF1600G
13	6mm Square SMT 7.3mm Ext. Actuator 160gf	EG1869CT-ND	.53 .43 .39	TL3301SPF1600G
	6mm Square SMT 7.3mm Ext. Actuator 160gf	EG1869TR-ND	172.73/700	TL3301SPF1600G
	6mm Square SMT 7.3mm Ext. Actuator 260gf	EG1870CT-ND	.53 .43 .39	TL3301SPF2600G
14	6mm Square SMT 7.3mm Ext. Actuator 260gf	EG1870TR-ND	172.73/700	TL3301SPF2600G
	6mm Square SMT 4.3mm Actuator 160gf J-Lead	EG4376CT-ND	.61 .49 .45	TL3301NF1600J
	6mm Square SMT 4.3mm Actuator 160gf J-Lead	EG4376TR-ND	259.99/1.100	TL3301NF1600J
	6mm Square SMT 5.0mm Actuator 160gf J-Lead	EG4374CT-ND	.61 .49 .45	TL3301AF1600J
	6mm Square SMT 5.0mm Actuator 160gf J-Lead	EG4374TR-ND	259.99/1.100	TL3301AF1600J
	SMT 3.44mm Actuator 160gf Gull Wing	EG2530CT-ND	.99 .80 .72	TL3304AF1600G
	SMT 3.44mm Actuator 160gf Gull Wing	EG2530TR-ND	576.38/1.500	TL3304AF1600G
	3.4mm SMT 3.4mm Actuator 160gf J-Lead	EG4377CT-ND	.99 .80 .72	TL3304AF2600J
	3.4mm SMT 3.4mm Actuator 160gf J-Lead	EG4377TR-ND	614.80/1.600	TL3304AF2600J
	Flush Actuator 160gf J-Lead	EG4380CT-ND	1.01 .81 .73	TL6700NF1600J
15	Flush Actuator 160gf J-Lead	EG4380TR-ND	741.10/1.900	TL6700NF1600J
	3.4mm Actuator 160gf J-Lead	EG4381CT-ND	1.01 .81 .73	TL6700AF1600J
	3.4mm Actuator 160gf J-Lead	EG4381TR-ND	624.08/1.600	TL6700AF1600J
	Flush Actuator 260gf J-Lead	EG4382CT-ND	1.01 .81 .73	TL6700NF2600J
	Flush Actuator 260gf J-Lead	EG4382TR-ND	741.10/1.900	TL6700NF2600J
	3.4mm Actuator 260gf J-Lead	EG4383CT-ND	1.01 .81 .73	TL6700AF2600J
	3.4mm Actuator 260gf J-Lead	EG4383TR-ND	624.08/1.600	TL6700AF2600J
	Flush Actuator 160gf Gull Wing	EG4384CT-ND	1.01 .81 .73	TL6700NF1600G
	Flush Actuator 160gf Gull Wing	EG4384TR-ND	546.07/1.400	TL6700NF1600G
	3.4mm Actuator 160gf Gull Wing	EG4385CT-ND	1.01 .81 .73	TL6700AF1600G
	3.4mm Actuator 160gf Gull Wing	EG4385TR-ND	546.07/1.400	TL6700AF1600G
	Flush Actuator 260gf Gull Wing	EG4386CT-ND	1.01 .81 .73	TL6700NF2600G
	Flush Actuator 260gf Gull Wing	EG4386TR-ND	546.07/1.400	TL6700NF2600G
	3.4mm Actuator 260gf Gull Wing	EG4387CT-ND	1.01 .81 .73	TL6700AF2600G
	3.4mm Actuator 260gf Gull Wing	EG4387TR-ND	546.07/1.400	TL6700AF2600G
16	Flush Actuator 160gf Gull Wing	EG4388CT-ND	1.01 .81 .73	TL6700NF1600G
	Flush Actuator 160gf Gull Wing	EG4388TR-ND	546.07/1.400	TL6700NF1600G
	3.4mm Actuator 160gf Gull Wing	EG4389CT-ND	1.01 .81 .73	TL6700AF1600G
	3.4mm Actuator 160gf Gull Wing	EG4389TR-ND	546.07/1.400	TL6700AF1600G
	Flush Actuator 260gf Gull Wing	EG4390CT-ND	1.01 .81 .73	TL6700NF2600G
	Flush Actuator 260gf Gull Wing	EG4390TR-ND	546.07/1.400	TL6700NF2600G
	3.15mm Right Angle Actuator 100gf Gull Wing	EG4391CT-ND	.60 .48 .43	TL3320AF1000G
	3.15mm Right Angle Actuator 100gf Gull Wing	EG4391TR-ND	139.13/500	TL3320AF1000G
	3.15mm Right Angle Actuator 130gf Gull Wing	EG4392CT-ND	.60 .48 .43	TL3320AF1300G
	3.15mm Right Angle Actuator 130gf Gull Wing	EG4392TR-ND	139.13/500	TL3320AF1300G
	3.15mm Right Angle Actuator 160gf Gull Wing	EG4393CT-ND	.60 .48 .43	TL3320AF1600G
	3.15mm Right Angle Actuator 160gf Gull Wing	EG4393TR-ND	139.13/500	TL3320AF1600G
17	3.15mm Right Angle Actuator 250gf Gull Wing	EG4404CT-ND	.60 .48 .43	TL3320AF2500G
	3.15mm Right Angle Actuator 250gf Gull Wing	EG4404TR-ND	139.13/500	TL3320AF2500G
	3.85mm Right Angle Actuator 100gf Gull Wing	EG4393CT-ND	.60 .48 .43	TL3320BF1000G
	3.85mm Right Angle Actuator 100gf Gull Wing	EG4393TR-ND	139.13/500	TL3320BF1000G
	3.85mm Right Angle Actuator 130gf Gull Wing	EG4394CT-ND	.60 .48 .43	TL3320BF1300G
	3.85mm Right Angle Actuator 130gf Gull Wing	EG4394TR-ND	139.13/500	TL3320BF1300G
	3.85mm Right Angle Actuator 160gf Gull Wing	EG4395CT-ND	.60 .48 .43	TL3320BF1600G
	3.85mm Right Angle Actuator 160gf Gull Wing	EG4395TR-ND	139.13/500	TL3320BF1600G
	3.85mm Right Angle Actuator 250gf Gull Wing	EG4396CT-ND	.60 .48 .43	TL3320BF2500G
	3.85mm Right Angle Actuator 250gf Gull Wing	EG4396TR-ND	139.13/500	TL3320BF2500G
	3.85mm Right Angle Actuator 100gf Gull Wing	EG4397CT-ND	.60 .48 .43	TL3320CF1000G
	3.85mm Right Angle Actuator 100gf Gull Wing	EG4397TR-ND	139.13/500	TL3320CF1000G

† Tape and Box § Cut Tape ▲ Tape and Reel (Continued)

Digi-Reel® Most SMT cutdown parts are available on a Digi-Reel®. For Digi-Reel part number, change 1-ND to 6-ND or CT-ND to DKR-ND. See Digi-Key® Services on page 2 for additional information.

More Product Available Online: www.digikey.com

Toll-Free: 1-800-344-4539 • Phone 218-681-6674 • Fax: 218-681-3380